



US00D676888S

(12) **United States Design Patent**
Hayashi et al.

(10) **Patent No.:** **US D676,888 S**

(45) **Date of Patent:** **** Feb. 26, 2013**

(54) **CAMCORDER**

(75) Inventors: **Eiichiro Hayashi**, Kanagawaken (JP);
Akihiko Miyamori, Tokyo (JP)

(73) Assignee: **JVC Kenwood Corporation**,
Yokohama-Shi, Kanagawa (JP)

(**) Term: **14 Years**

(21) Appl. No.: **29/414,123**

(22) Filed: **Feb. 24, 2012**

(30) **Foreign Application Priority Data**

Sep. 12, 2011 (JP) D2011-020677

(51) **LOC (9) Cl.** **16-01**

(52) **U.S. Cl.** **D16/203**

(58) **Field of Classification Search** D16/200–205,
D16/218; 348/373–376; 358/906; 396/535–541
See application file for complete search history.

(56) **References Cited**

U.S. PATENT DOCUMENTS

D380,484 S * 7/1997 Sumita D16/202
D383,767 S * 9/1997 Sung et al. D16/202
D408,832 S * 4/1999 Kobayashi D16/202
D438,552 S * 3/2001 Sumita D16/202
6,219,489 B1 * 4/2001 Ohta et al. 358/906

D548,258 S * 8/2007 Tanifuji et al. D16/202
D558,247 S * 12/2007 Kim D16/202
D598,941 S * 8/2009 Tanifuji D16/202

* cited by examiner

Primary Examiner — Adir Aronovich

(74) *Attorney, Agent, or Firm* — Nath, Goldberg & Meyer;
Jerald L. Meyer; Scott C. Langford

(57) **CLAIM**

The ornamental design for a camcorder, as shown and described.

DESCRIPTION

FIG. 1 is a top, front and right side perspective view of a camcorder showing our new design;

FIG. 2 is a top, rear and left side perspective view thereof;

FIG. 3 is a front elevational view thereof;

FIG. 4 is a rear elevational view thereof;

FIG. 5 is a left side elevational view thereof;

FIG. 6 is a right side elevational thereof;

FIG. 7 is top plan view thereof;

FIG. 8 is bottom plan view thereof; and,

FIG. 9 is a top, rear and right side perspective view thereof, showing the camcorder with its monitor panel opened.

The broken lines are included to illustrate unclaimed portions of the camcorder only and form no part of the claimed design.

1 Claim, 9 Drawing Sheets

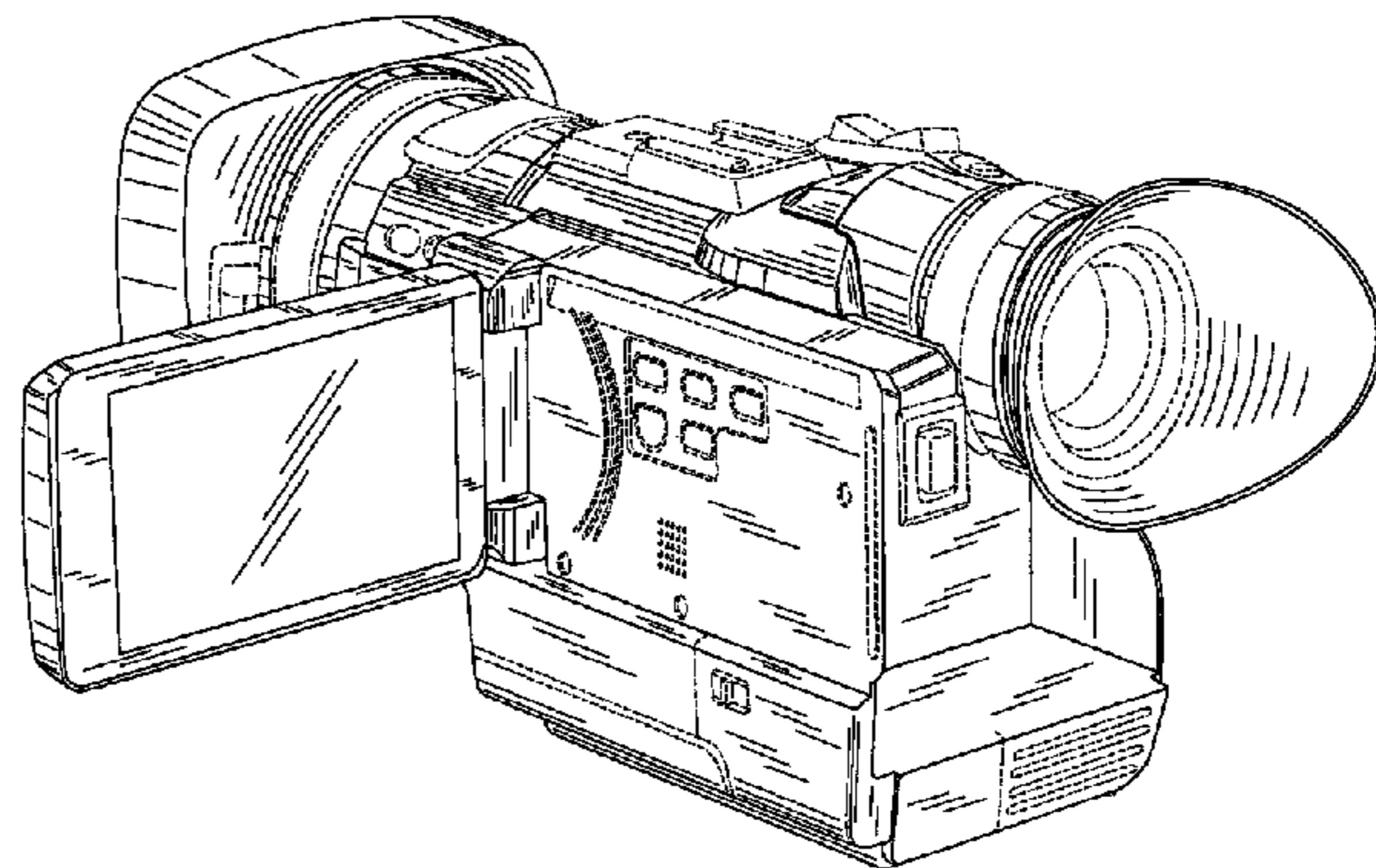
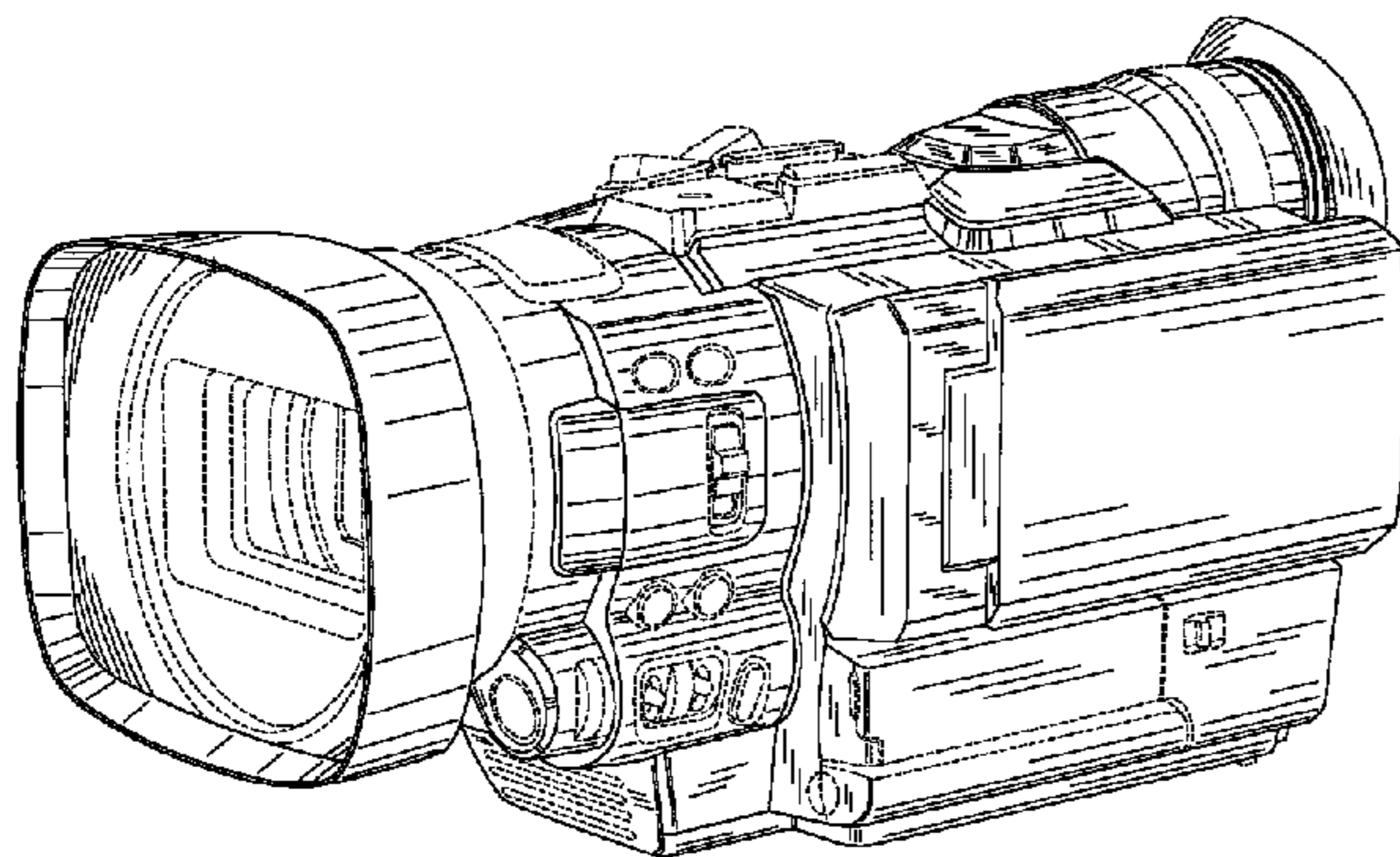


Fig.1

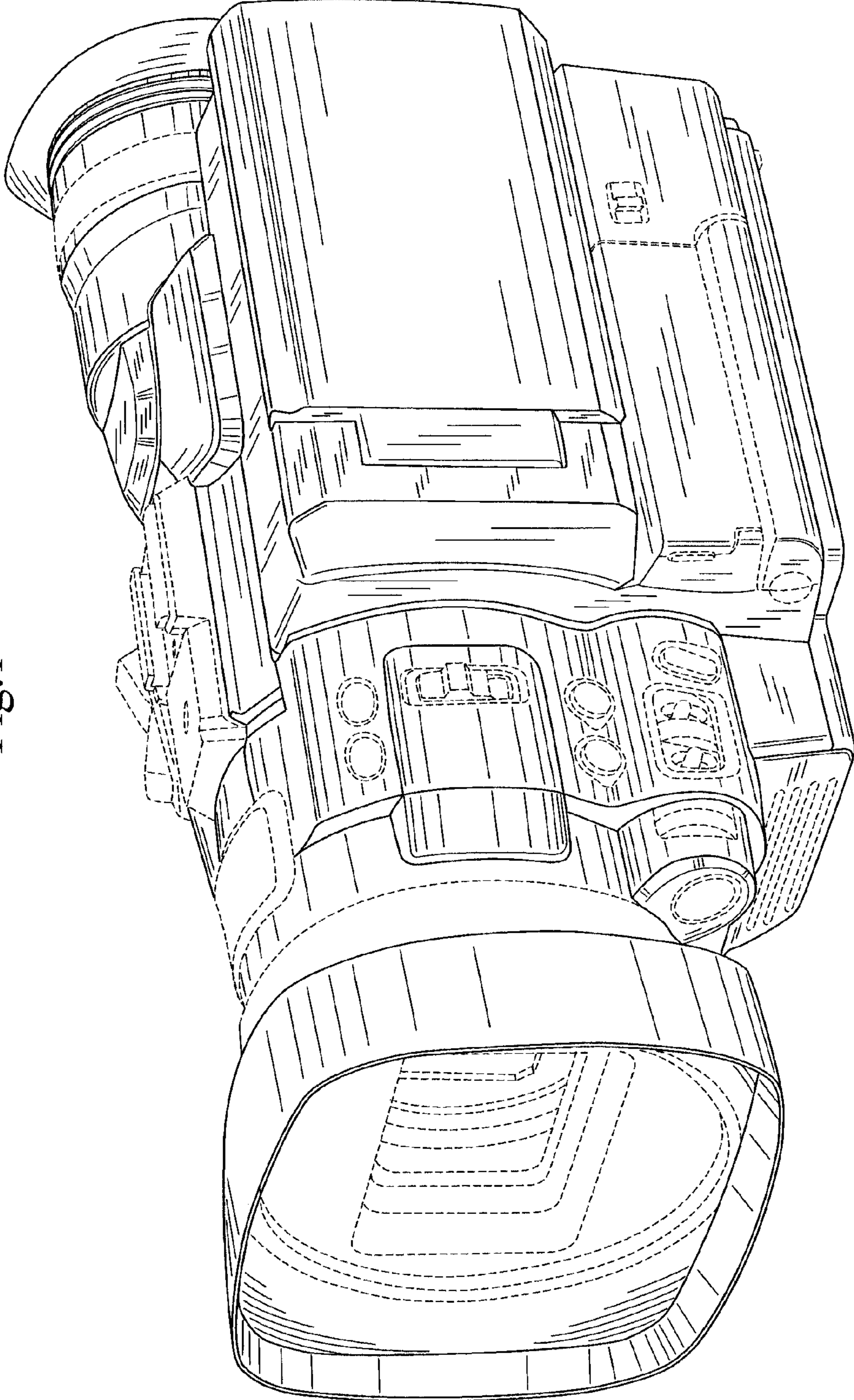


Fig.2

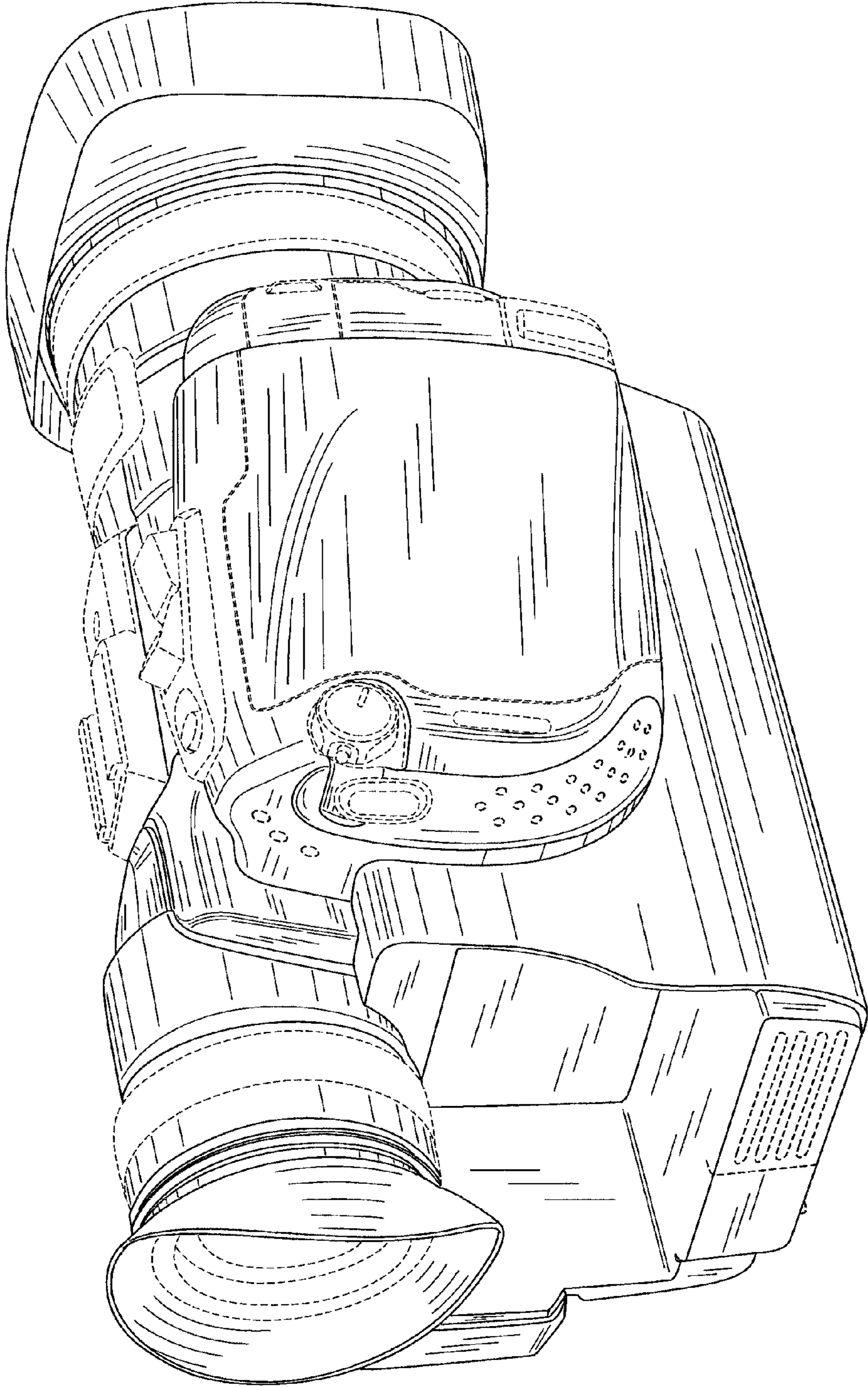


Fig.3

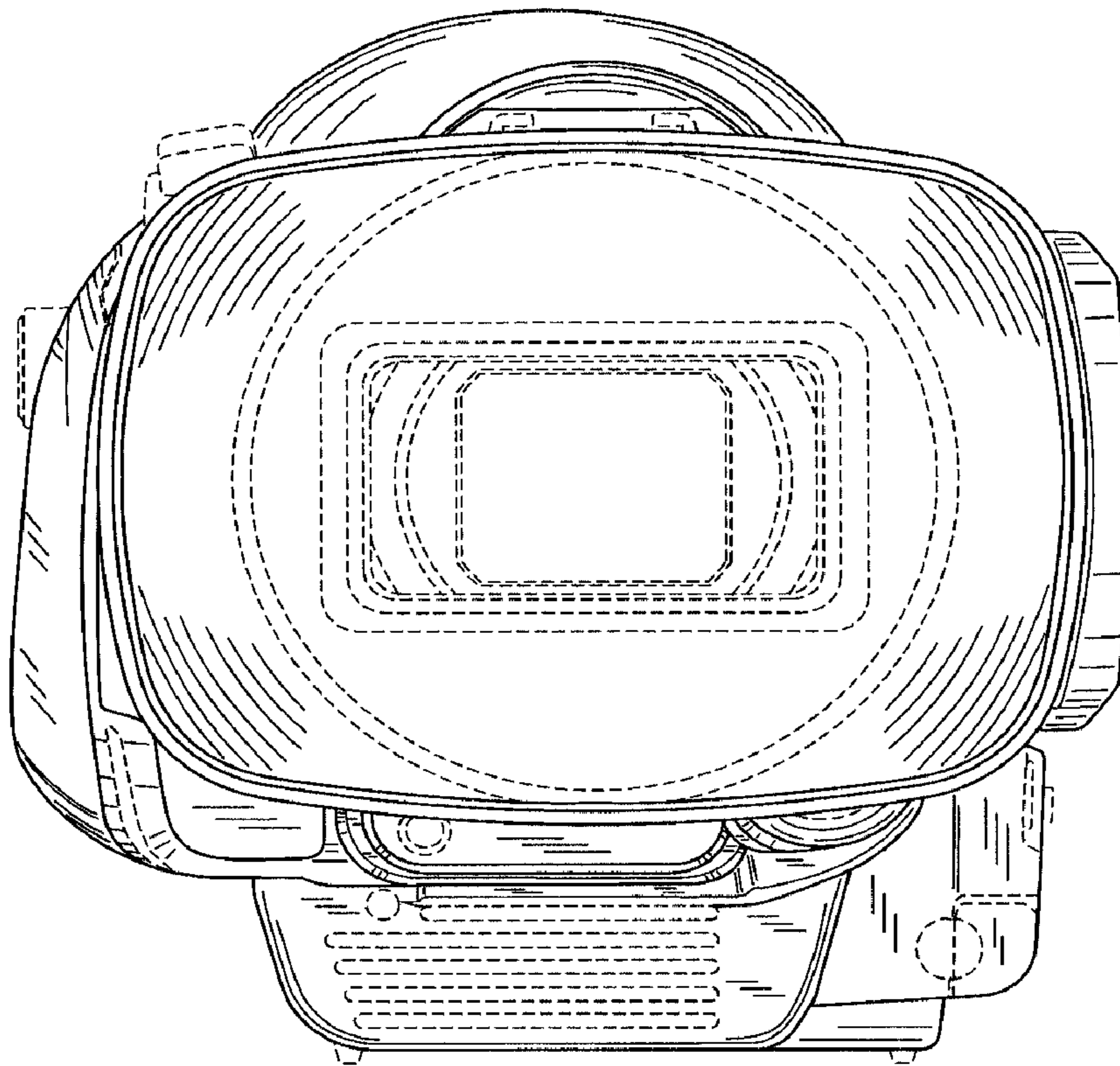


Fig.4

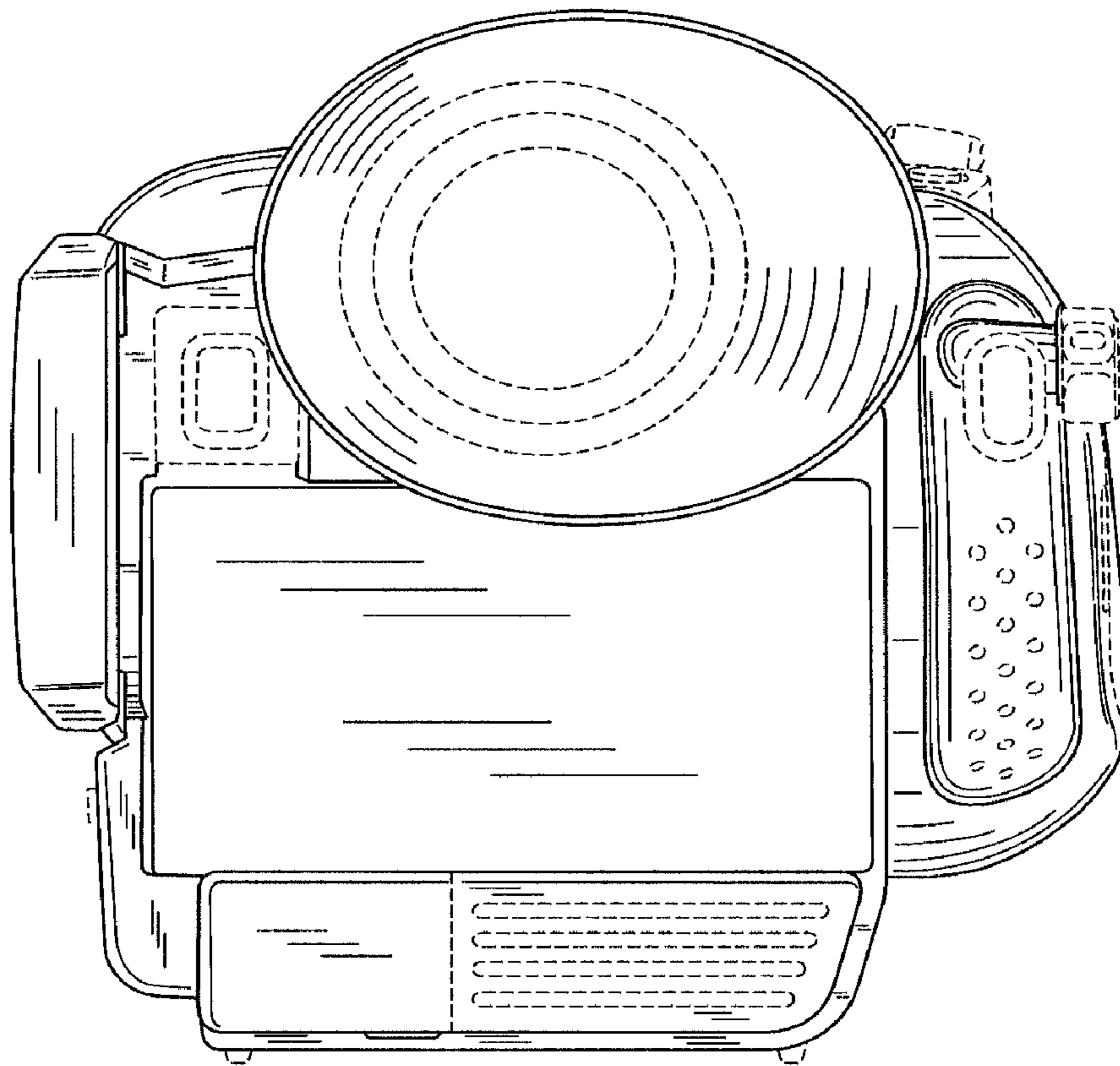


Fig.5

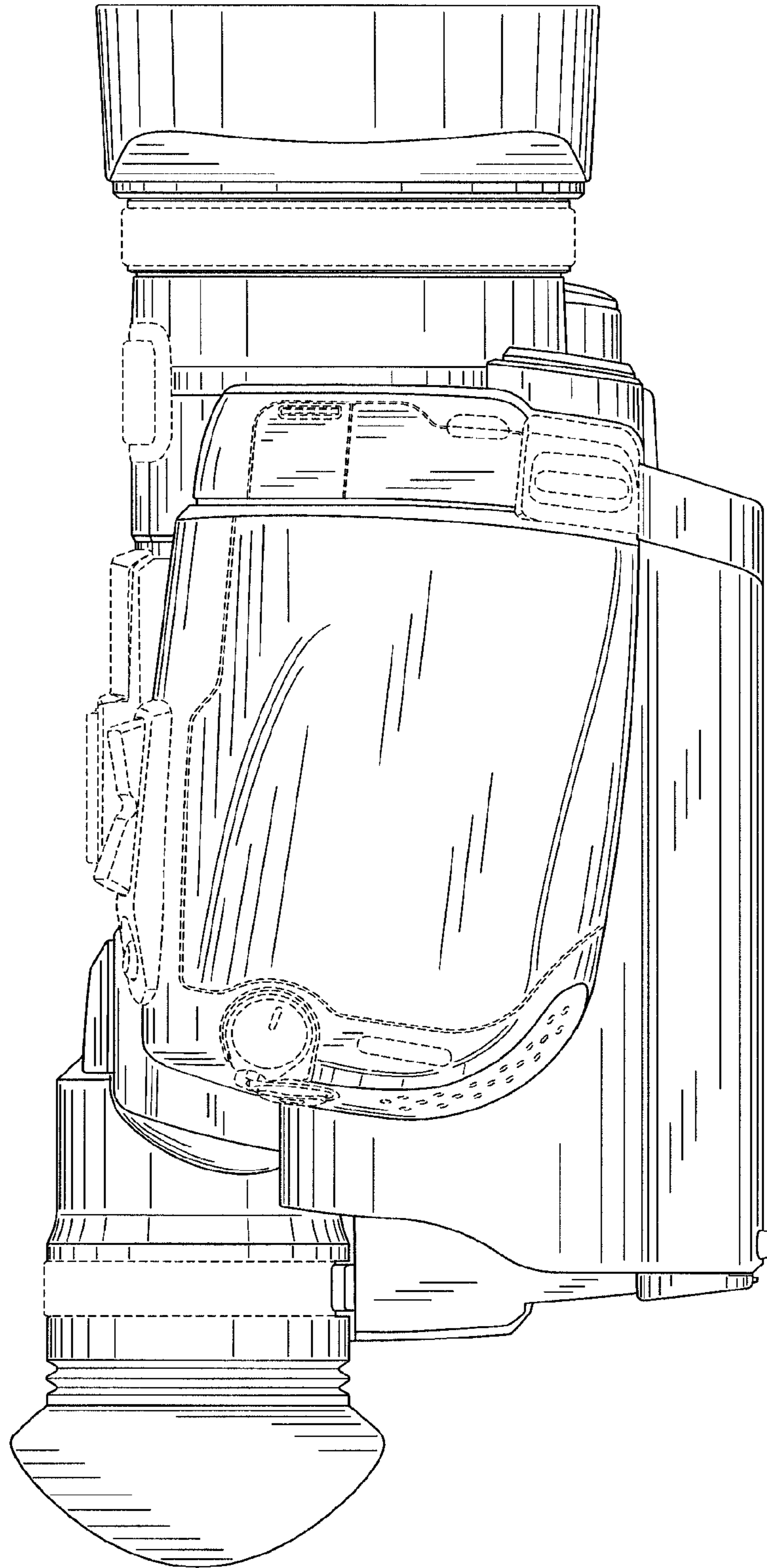


Fig.6

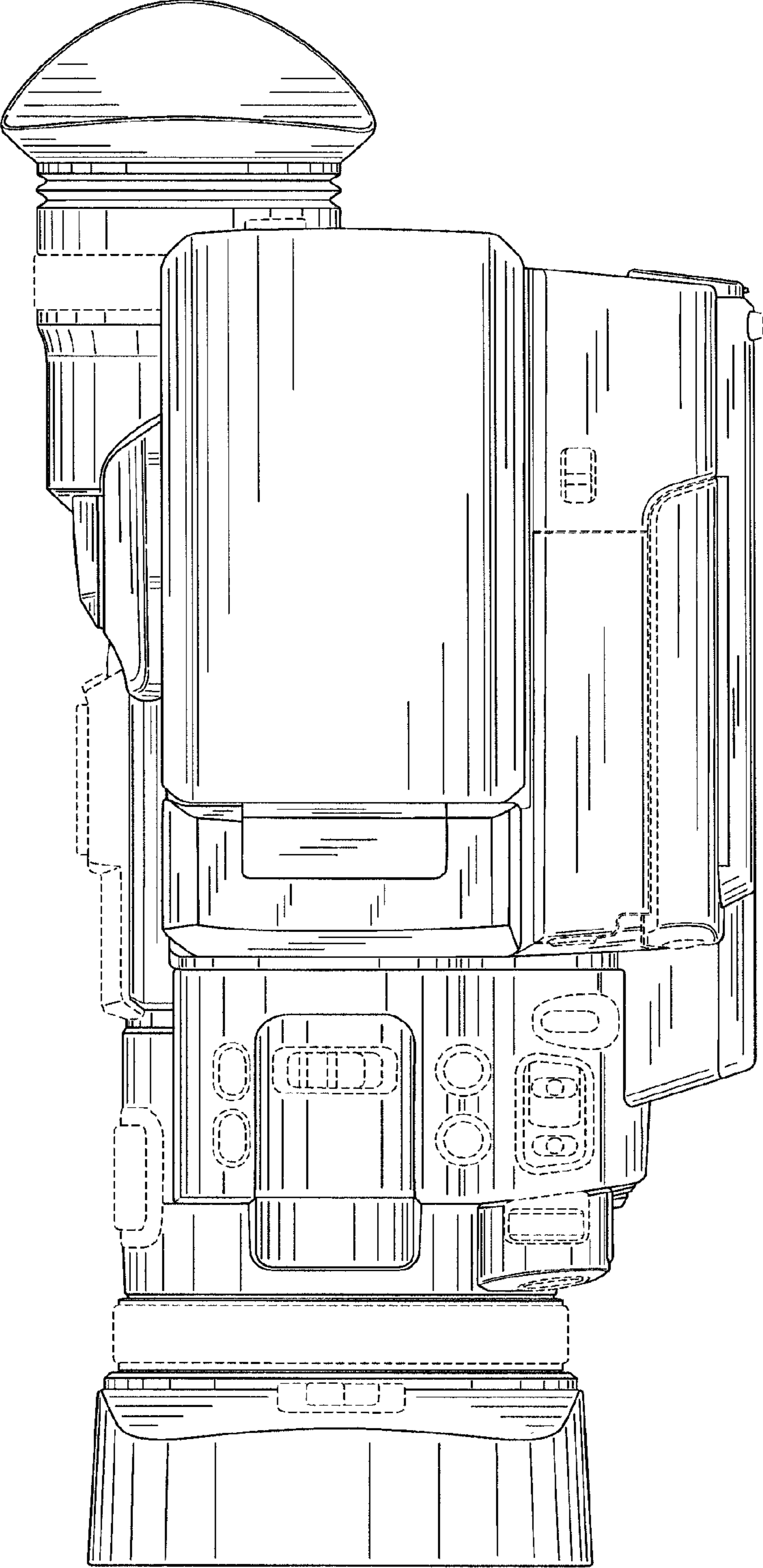


Fig.7

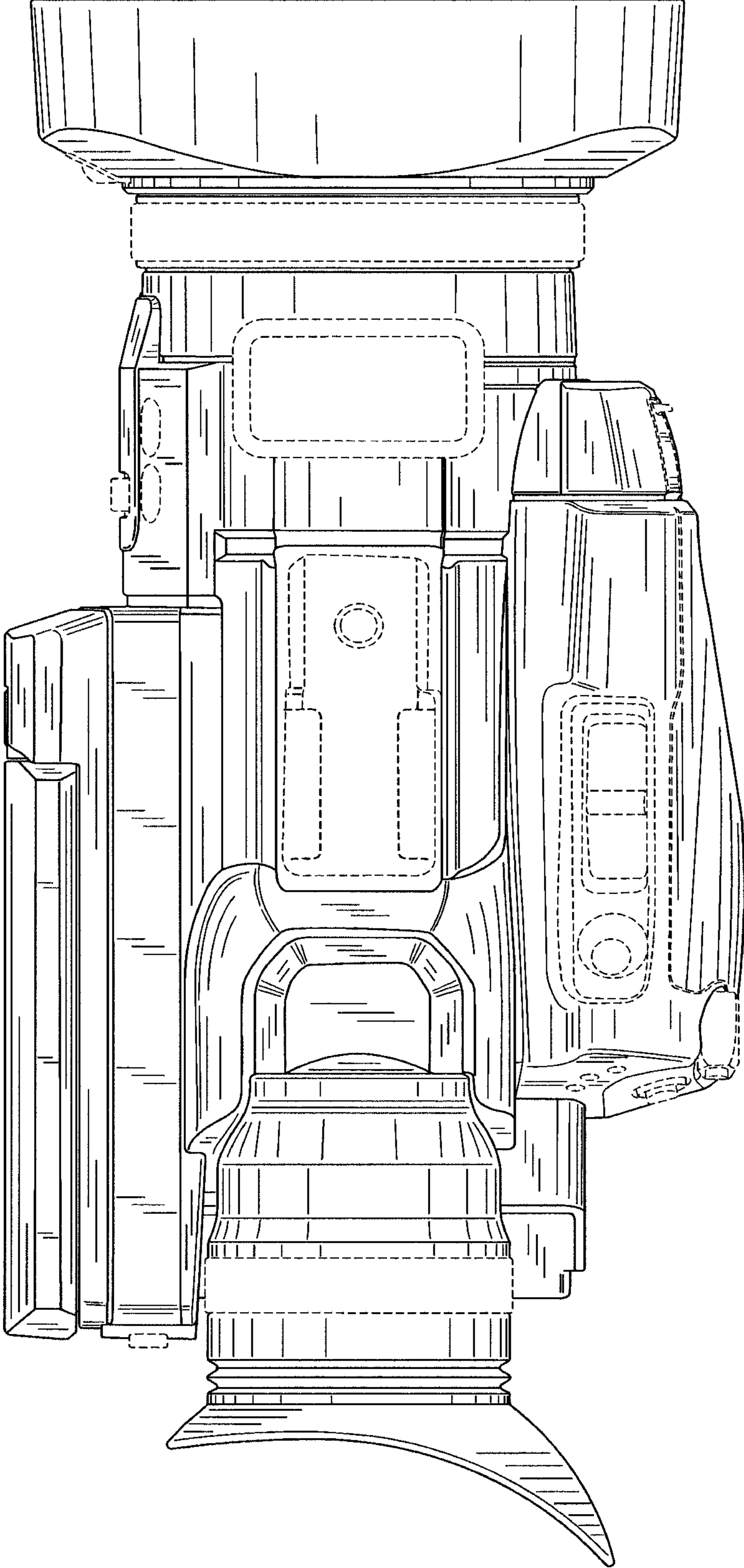


Fig.8

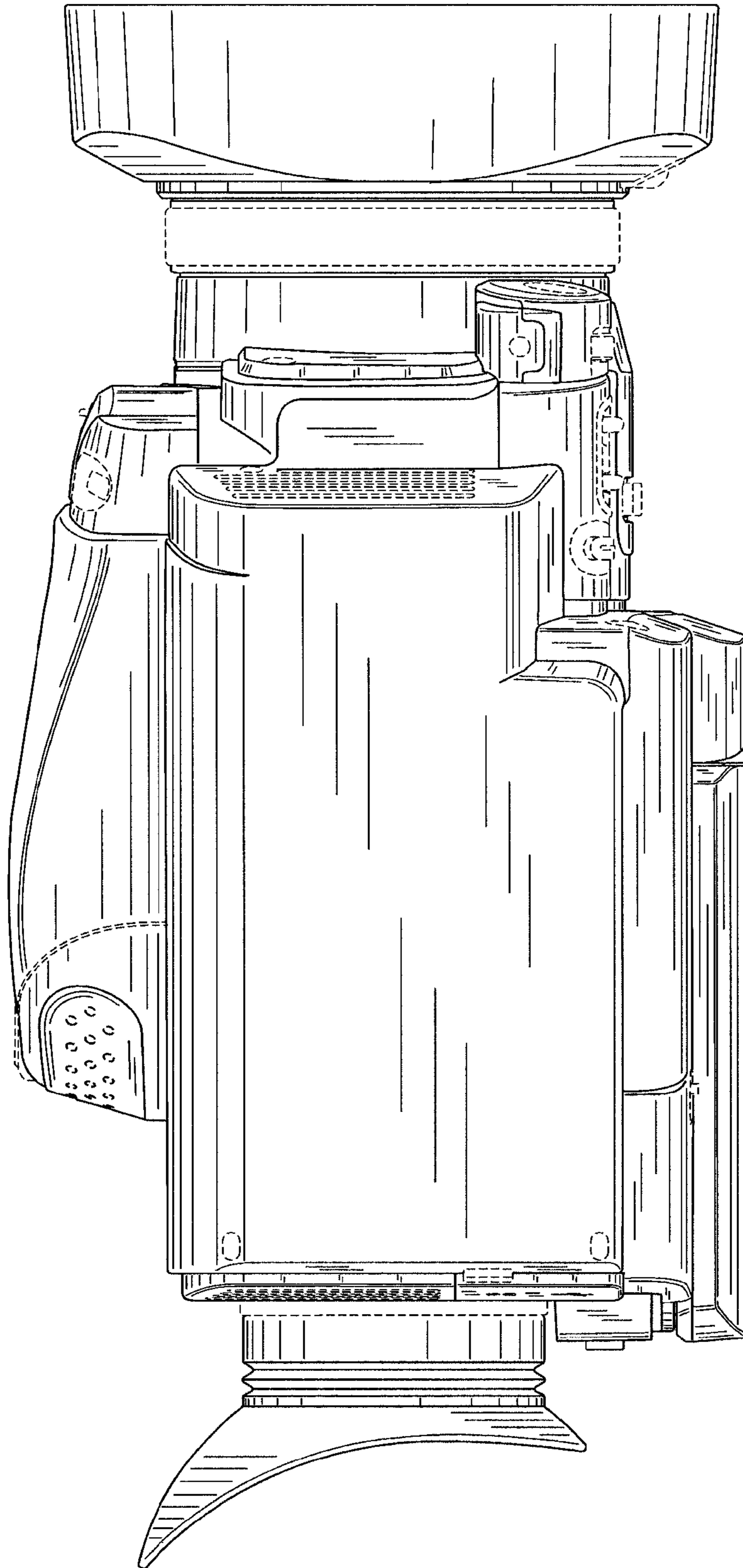


Fig.9

