



US00D676887S

(12) **United States Design Patent**
Nakashima et al.

(10) **Patent No.:** **US D676,887 S**
(45) **Date of Patent:** **** Feb. 26, 2013**

(54) **SURVEILLANCE CAMERA**

(75) Inventors: **Toshihiro Nakashima**, Fukuoka (JP);
Yasuki Yamakawa, Fukuoka (JP)

(73) Assignee: **Panasonic Corporation**, Osaka (JP)

(**) Term: **14 Years**

(21) Appl. No.: **29/404,428**

(22) Filed: **Oct. 20, 2011**

(30) **Foreign Application Priority Data**

Apr. 25, 2011 (JP) 2011-009447
Apr. 25, 2011 (JP) 2011-009448

(51) **LOC (9) Cl.** **16-01**

(52) **U.S. Cl.** **D16/203**

(58) **Field of Classification Search** D16/200,
D16/202, 203, 204, 208, 218; 348/143, 373-376;
396/427, 535-541

See application file for complete search history.

(56) **References Cited**

U.S. PATENT DOCUMENTS

D416,273 S	11/1999	Yamakawa et al.	
D473,888 S	4/2003	Jones et al.	
D491,968 S	6/2004	Isshiki	
D499,126 S	11/2004	Kato et al.	
D547,347 S *	7/2007	Kim	D16/203
D552,501 S	10/2007	Lin et al.	
D556,233 S	11/2007	Webb et al.	
D556,235 S *	11/2007	Todd et al.	D16/203
D561,220 S	2/2008	Alm et al.	
7,425,101 B2 *	9/2008	Cheng	396/427
D581,961 S *	12/2008	Shioya	D16/218
D610,183 S	2/2010	Nohavec et al.	

D629,436 S	12/2010	Cheng et al.	
D633,931 S	3/2011	Ham	
D643,455 S *	8/2011	Raa et al.	D16/203

* cited by examiner

Primary Examiner — Adir Aronovich

(74) *Attorney, Agent, or Firm* — Brinks Hofer Gilson & Lione

(57) **CLAIM**

We claim the ornamental design for a surveillance camera, as shown and described.

DESCRIPTION

FIG. 1 is a front perspective view of a first embodiment of a surveillance camera of the present invention; FIG. 2 is a rear perspective view thereof; FIG. 3 is a front elevational view thereof; FIG. 4 is a rear elevational view thereof; FIG. 5 is a right side elevational view thereof; FIG. 6 is a left side elevational view thereof; FIG. 7 is a top plan view thereof; FIG. 8 is a bottom plan view thereof; FIG. 9 is a front perspective view of a second embodiment of a surveillance camera of the present invention; FIG. 10 is a rear perspective view thereof; FIG. 11 is a front elevational view thereof; FIG. 12 is a rear elevational view thereof; FIG. 13 is a right side elevational view thereof; FIG. 14 is a left side elevational view thereof; FIG. 15 is a top plan view thereof; and, FIG. 16 is a bottom plan view thereof.

The broken lines shown represent unclaimed subject matter and form no part of the claimed design.

1 Claim, 16 Drawing Sheets

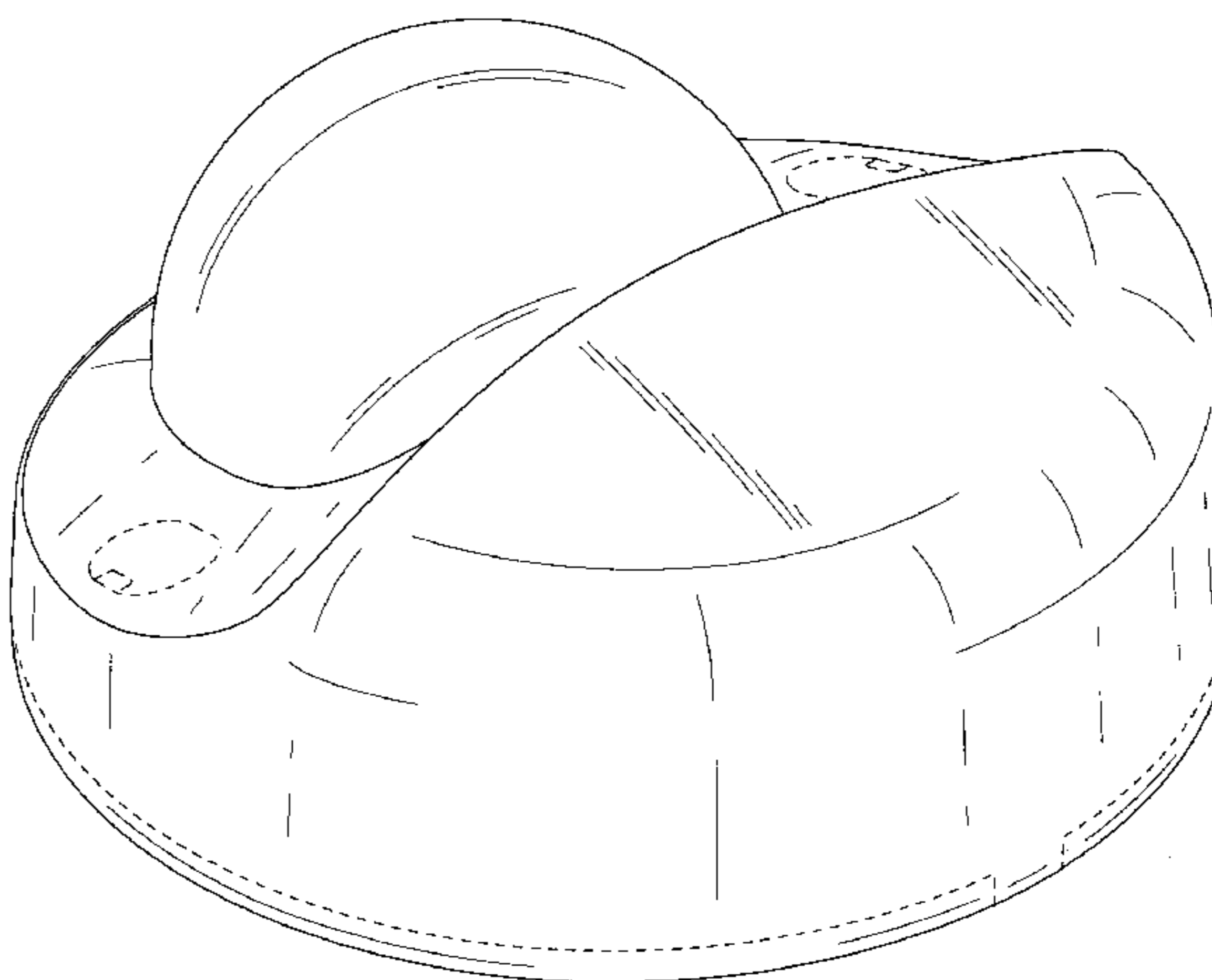
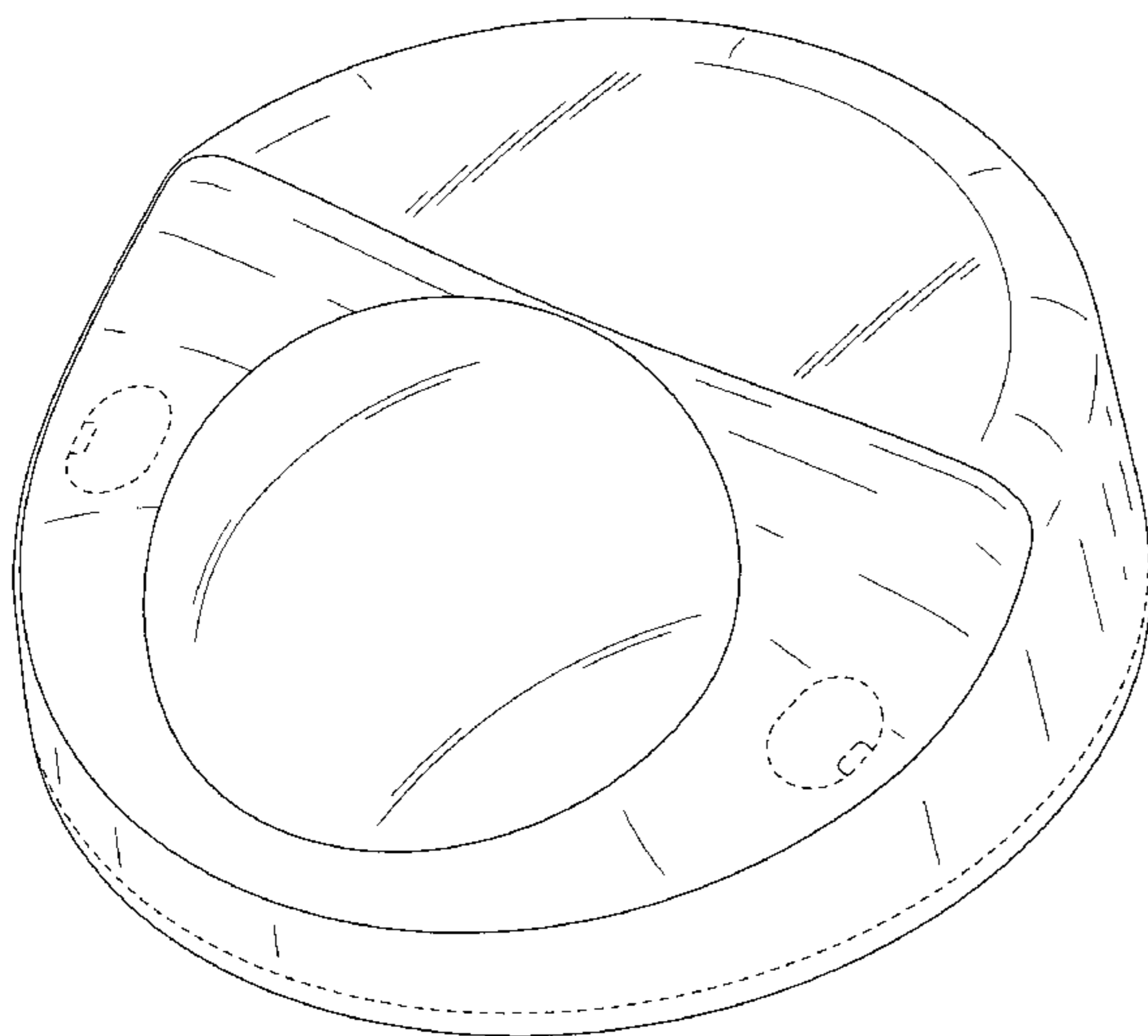


FIG. 1

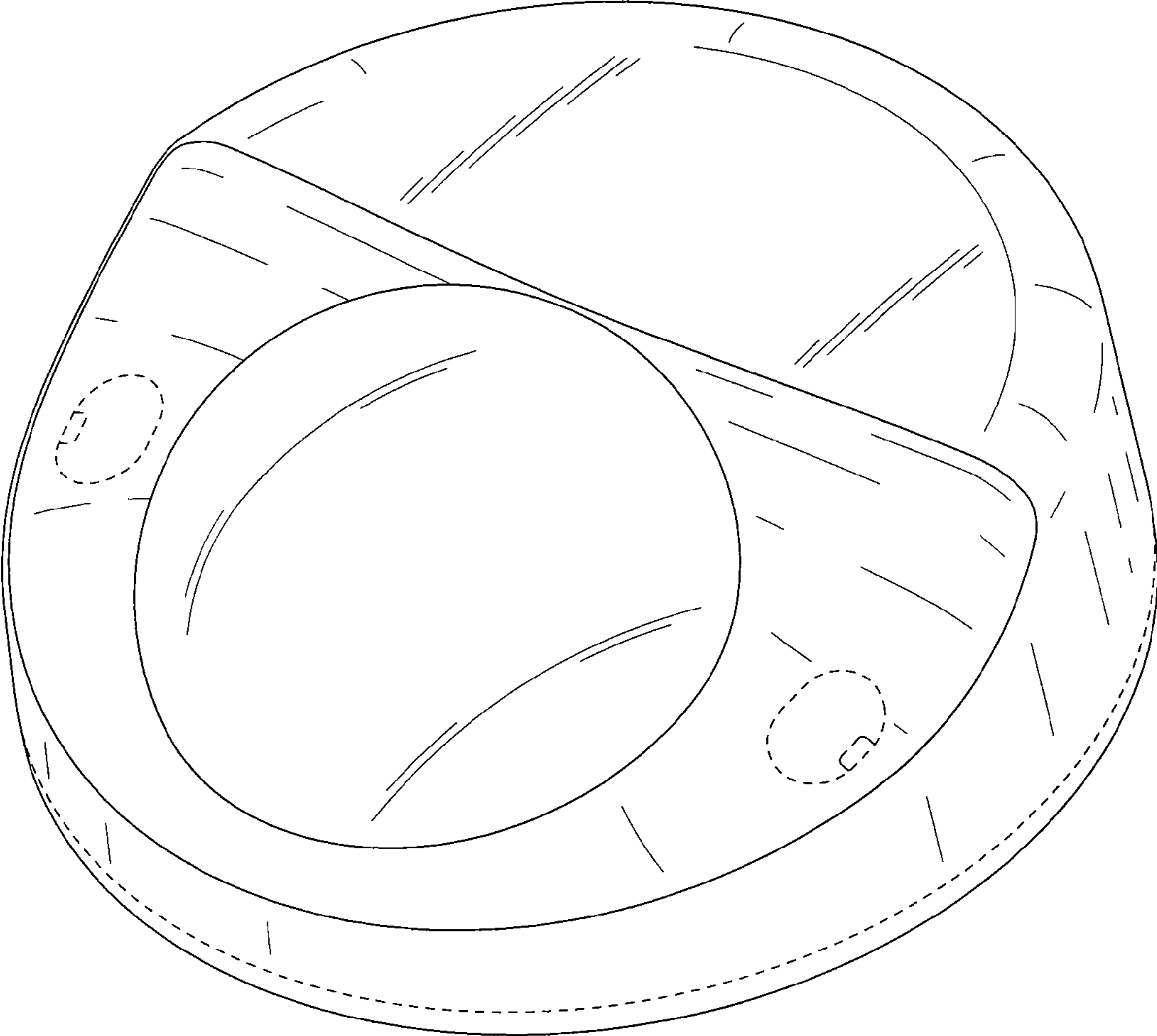


FIG. 2

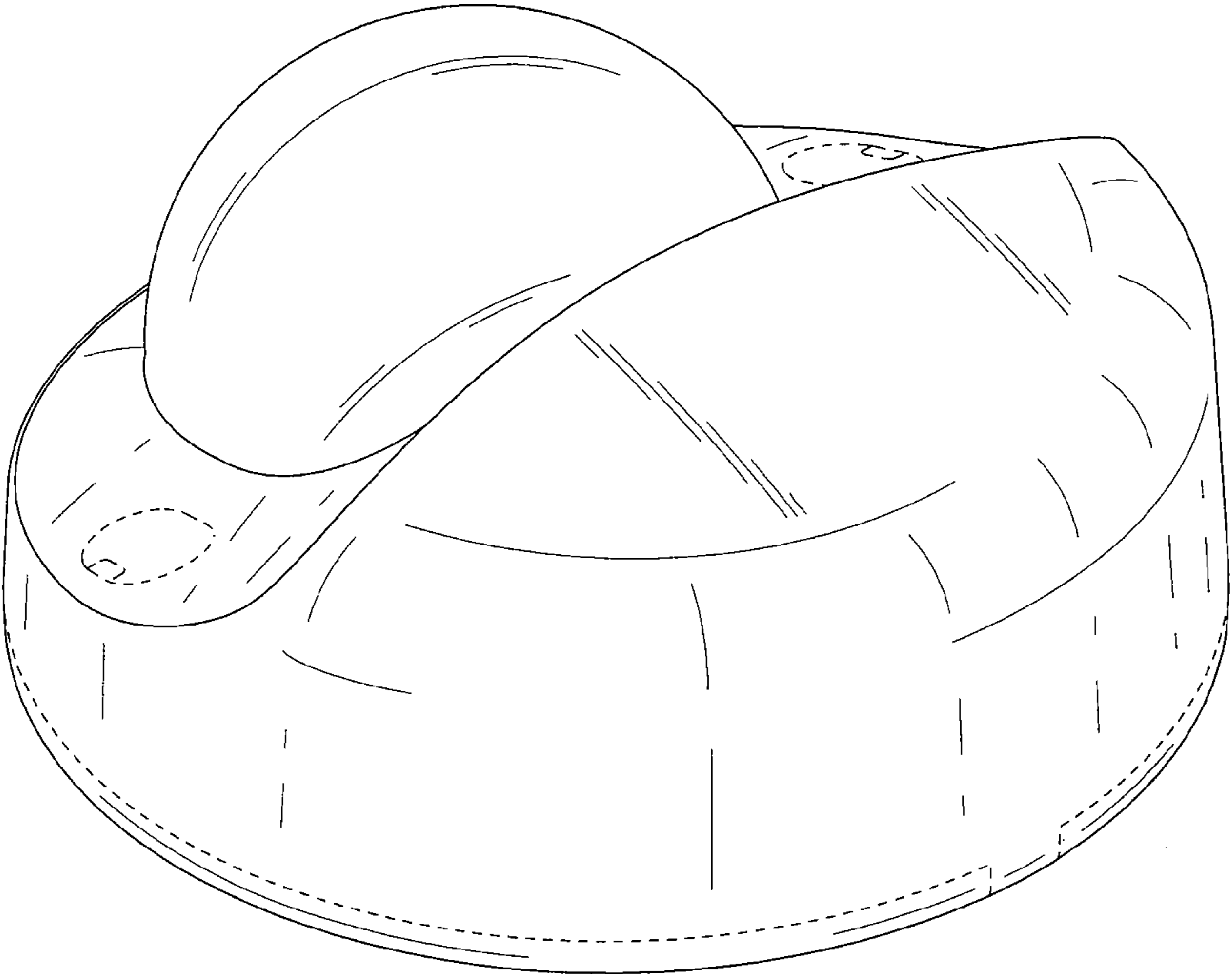


FIG. 3

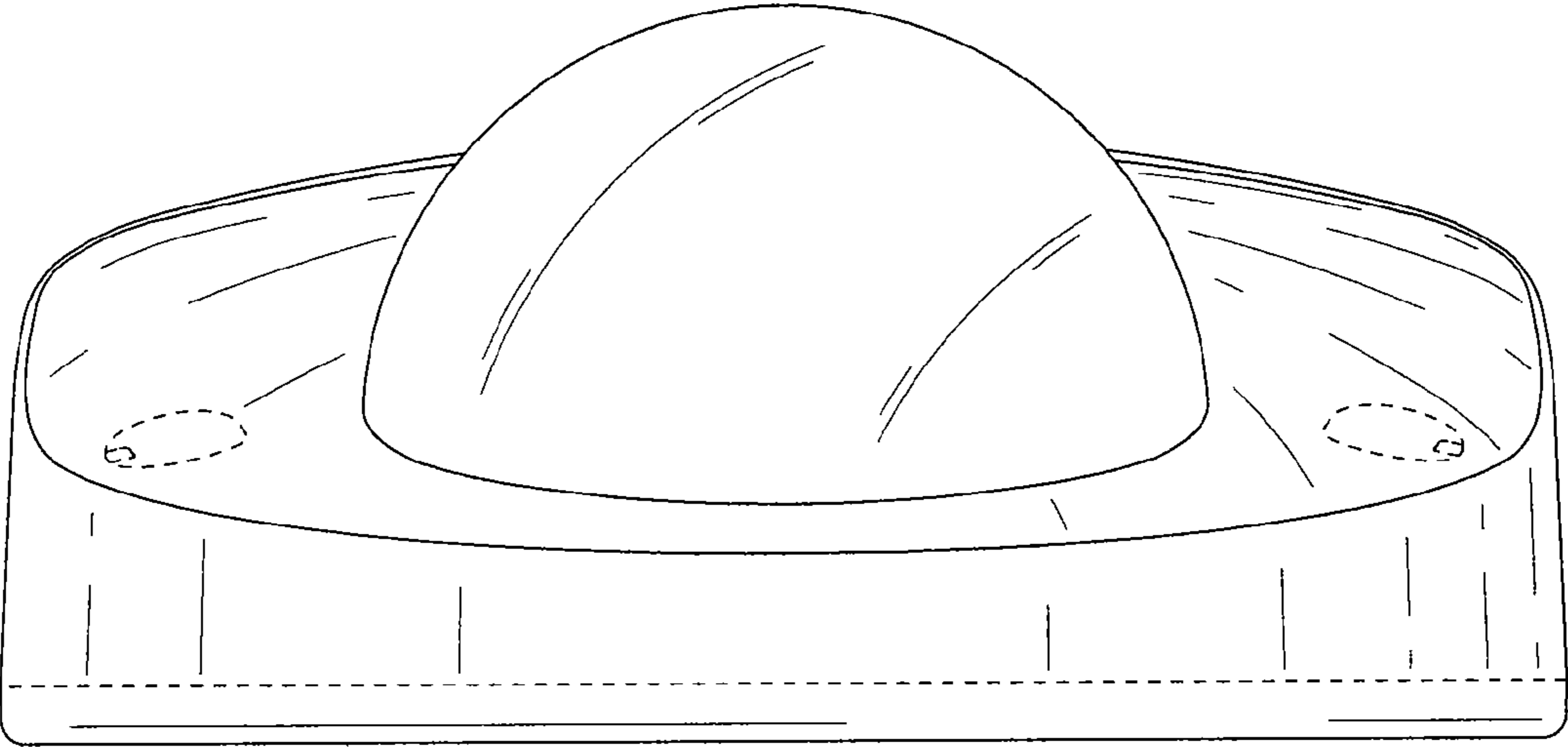


FIG. 4

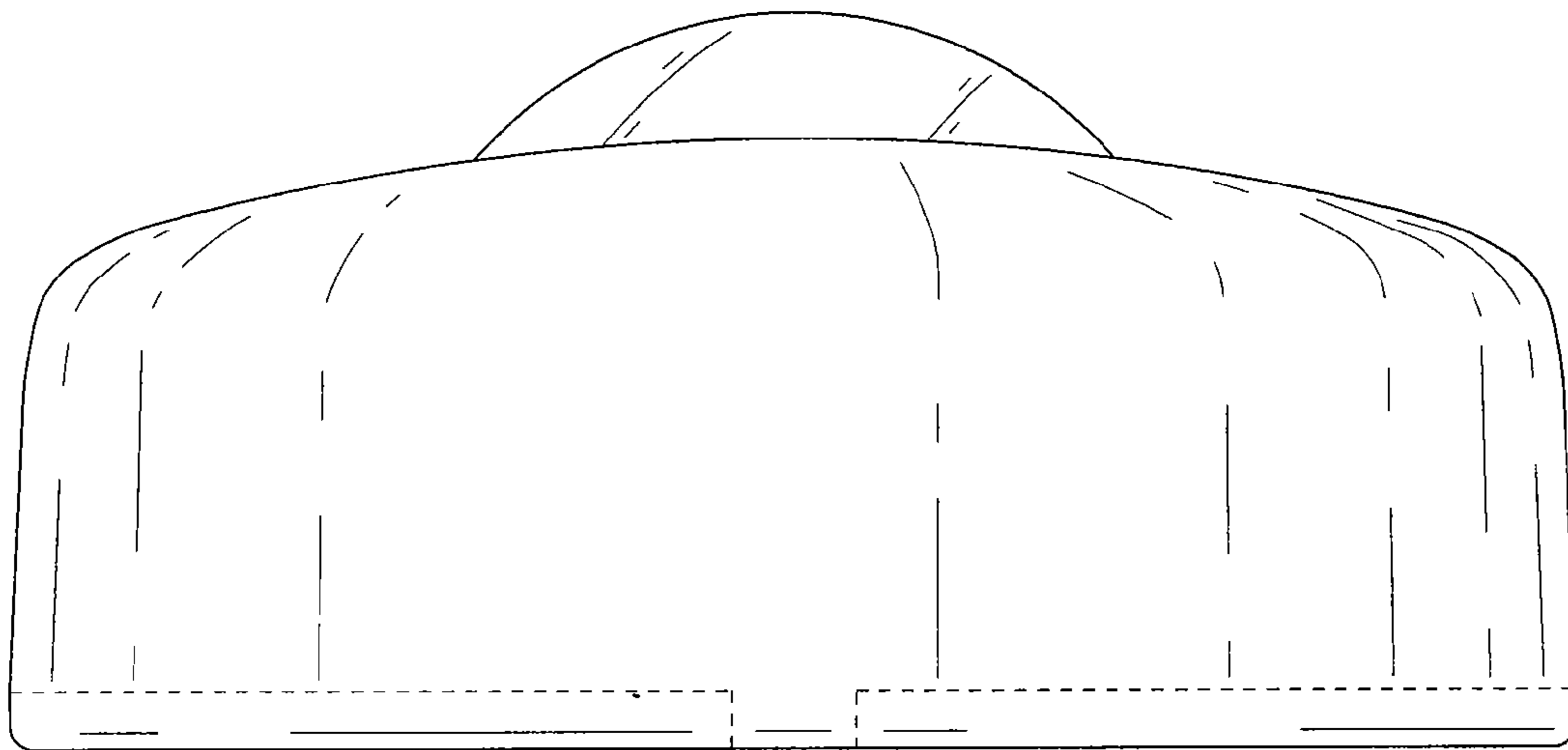


FIG. 5

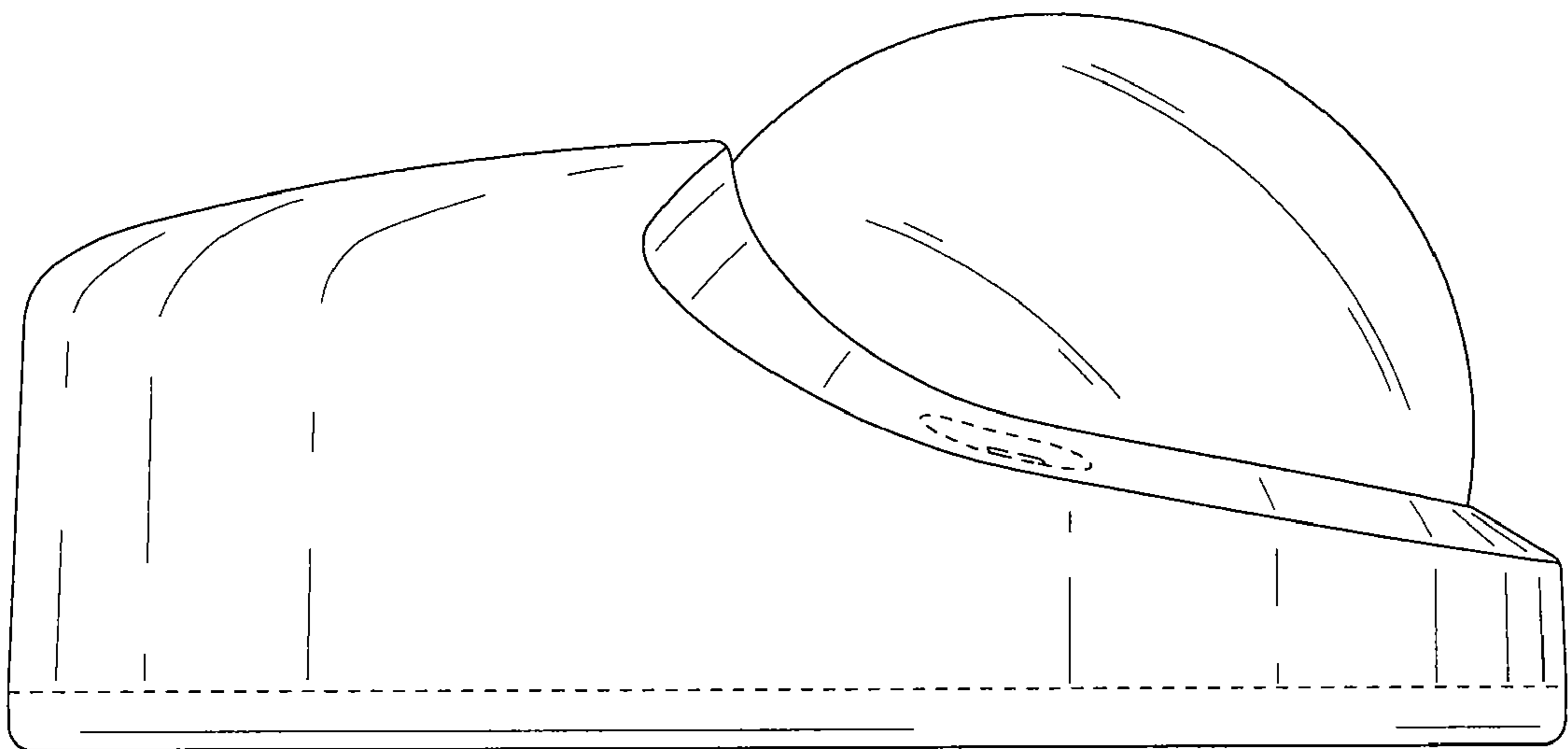


FIG. 6

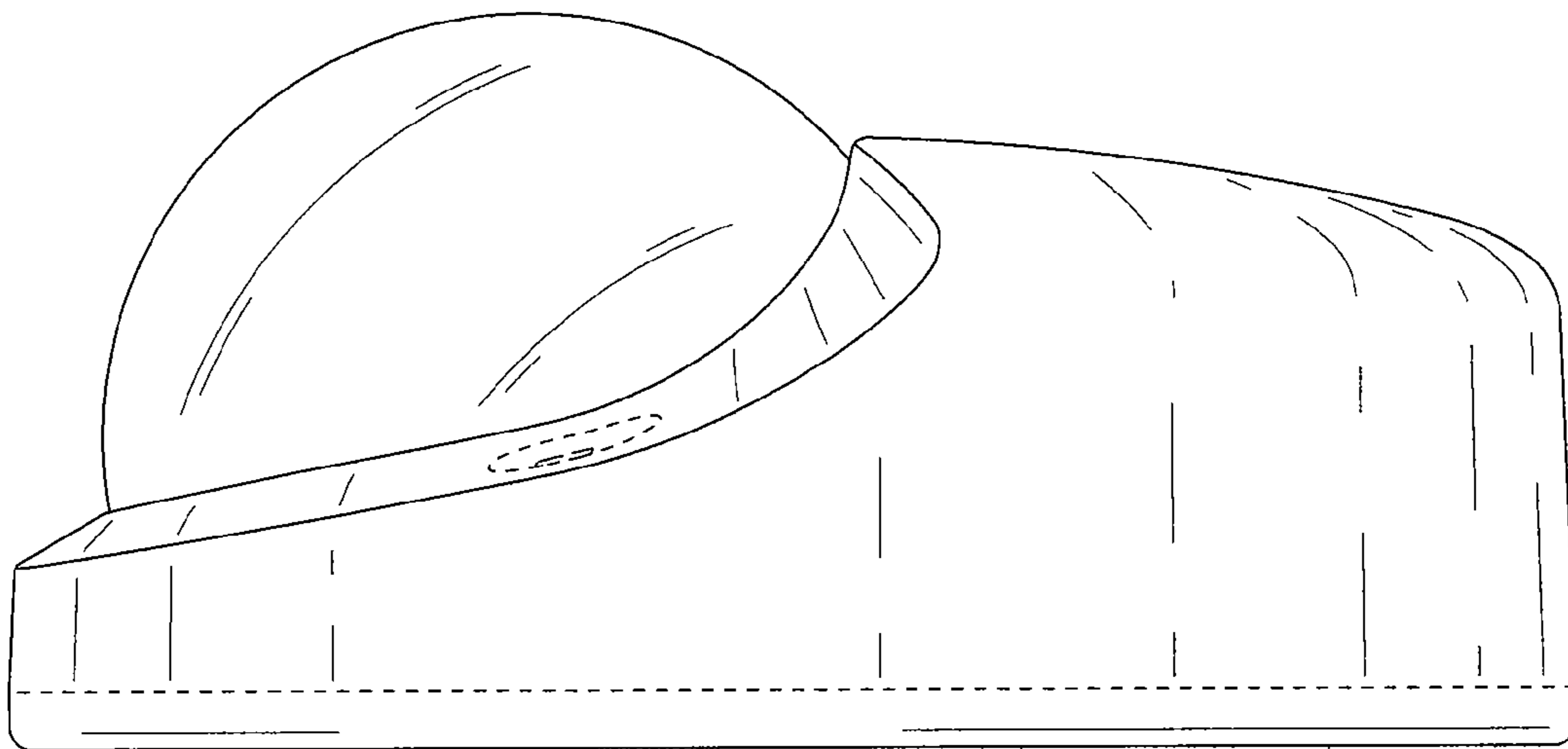


FIG. 7

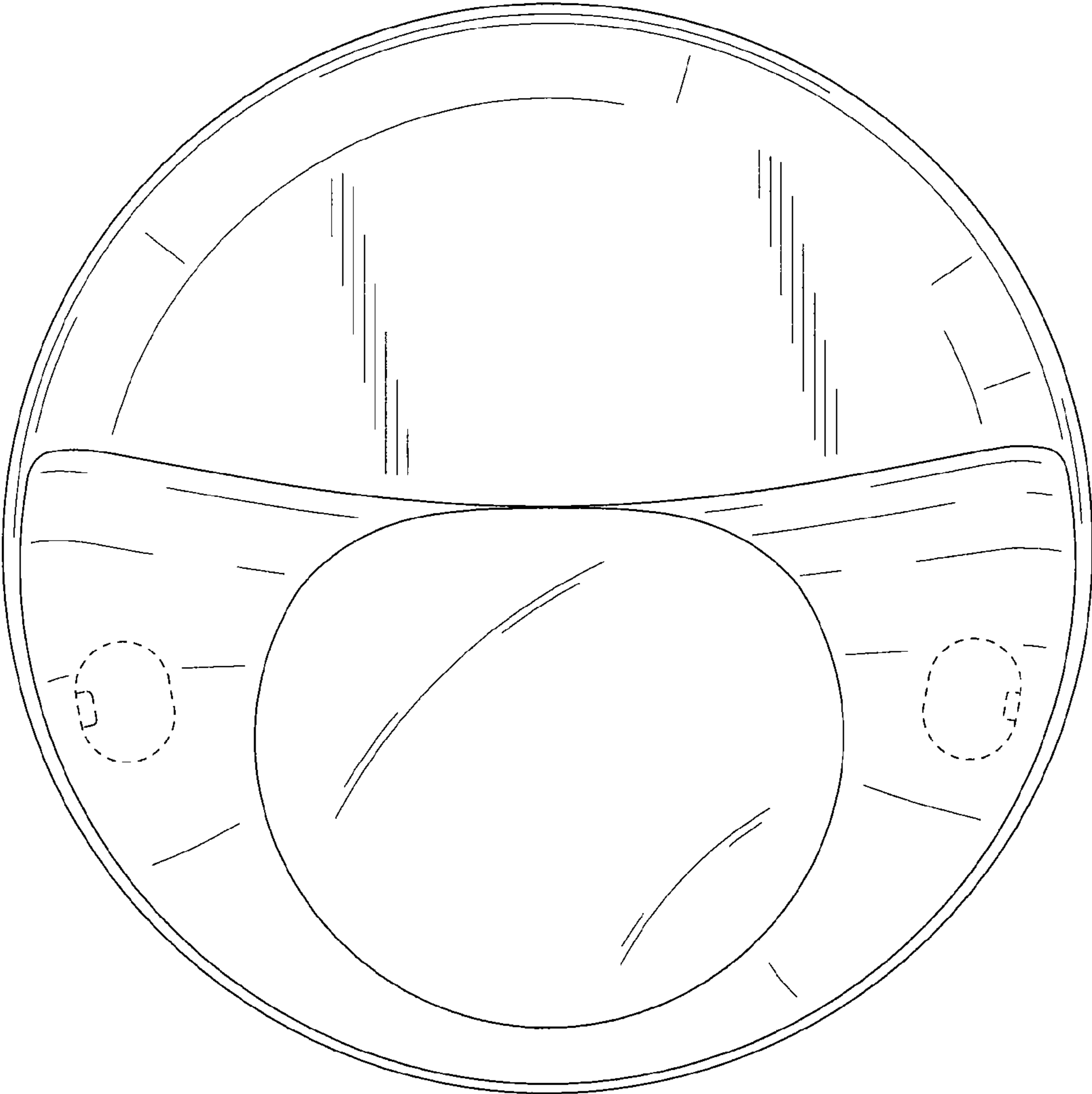


FIG. 8

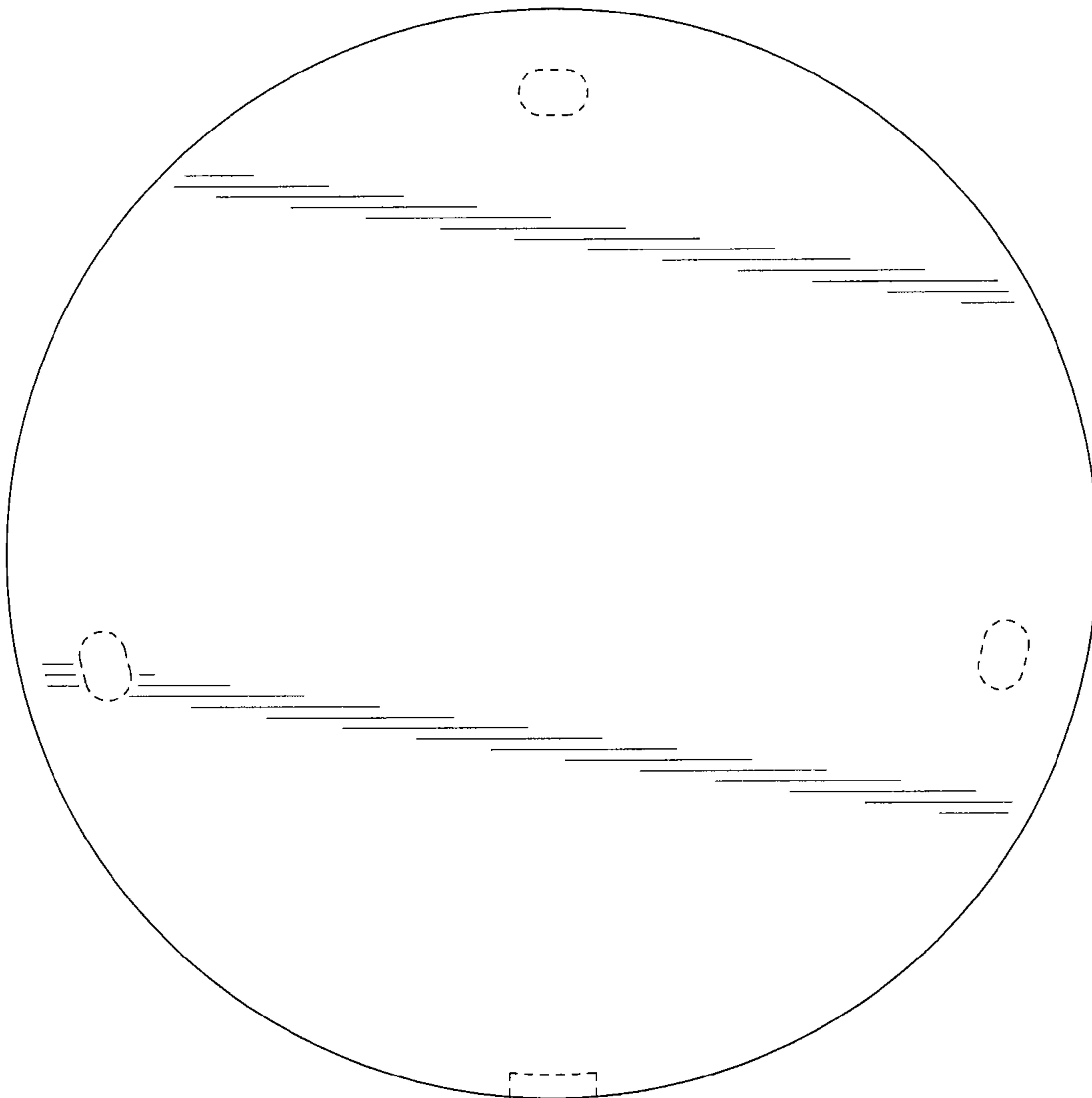


FIG.9

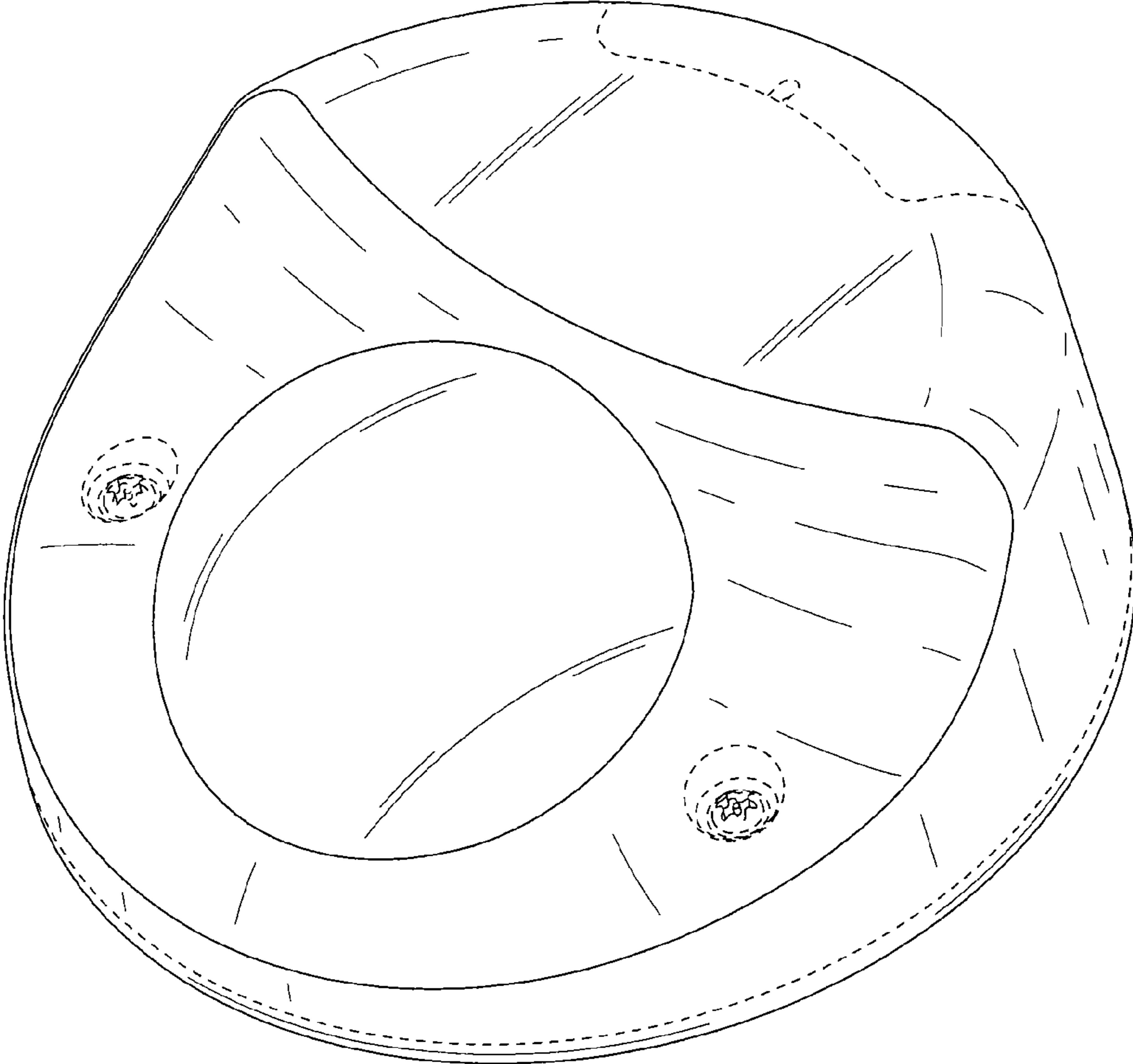


FIG.10

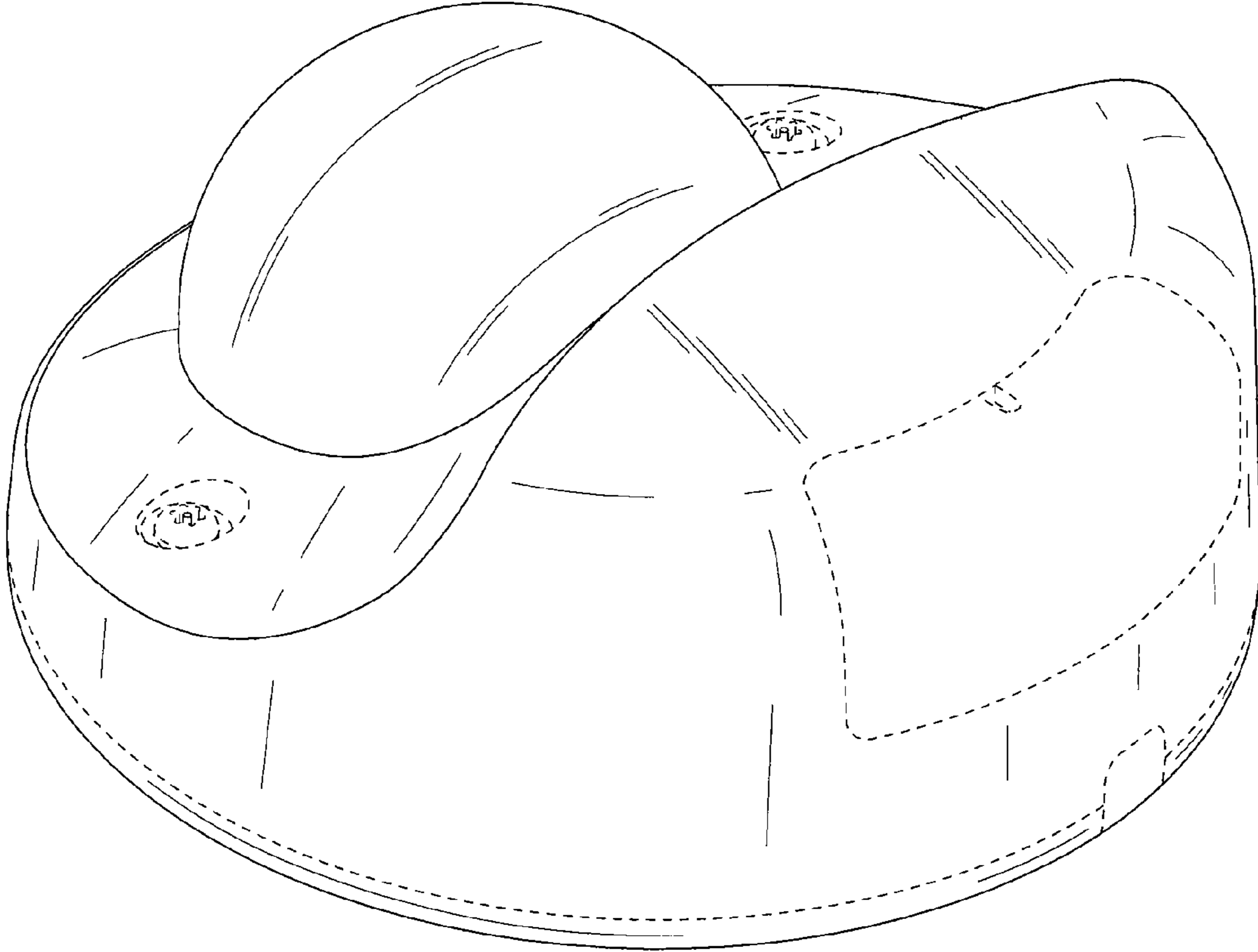


FIG.11

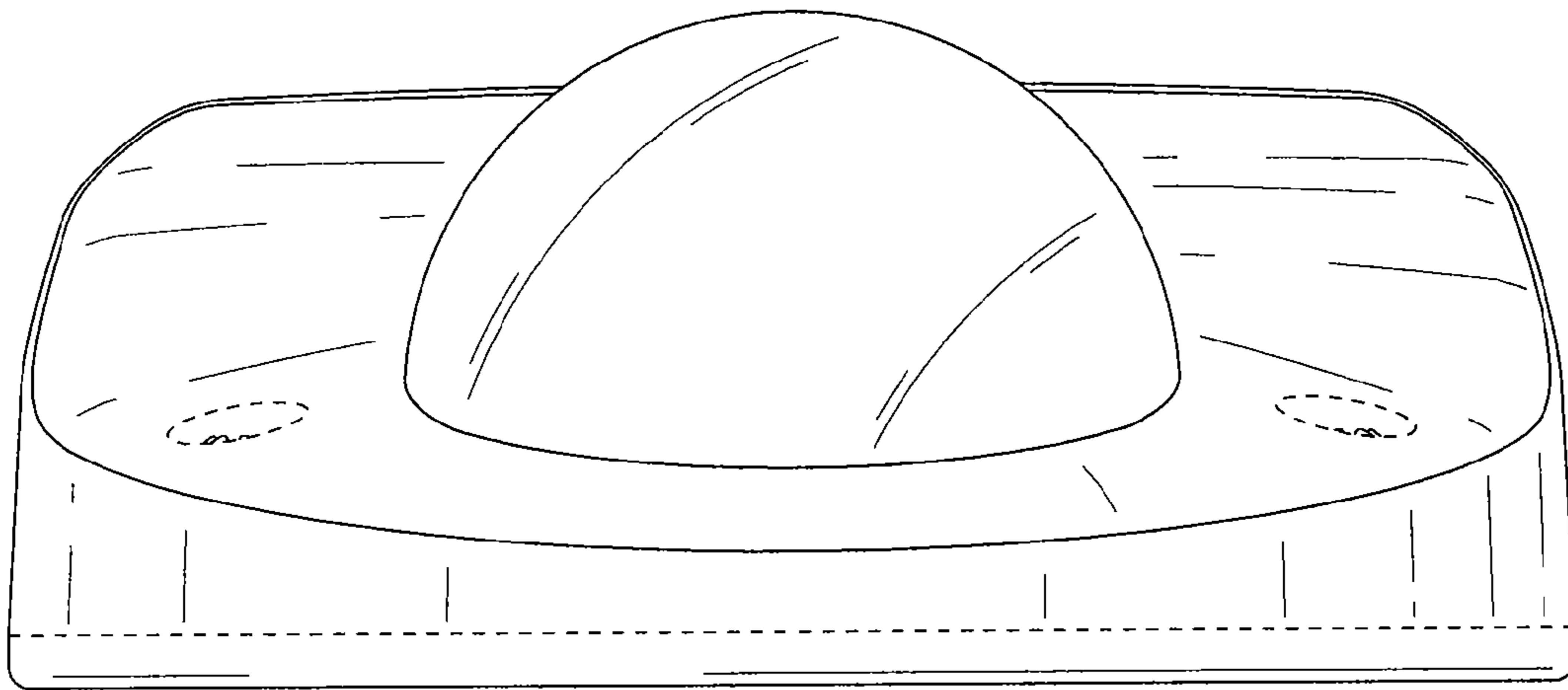


FIG.12

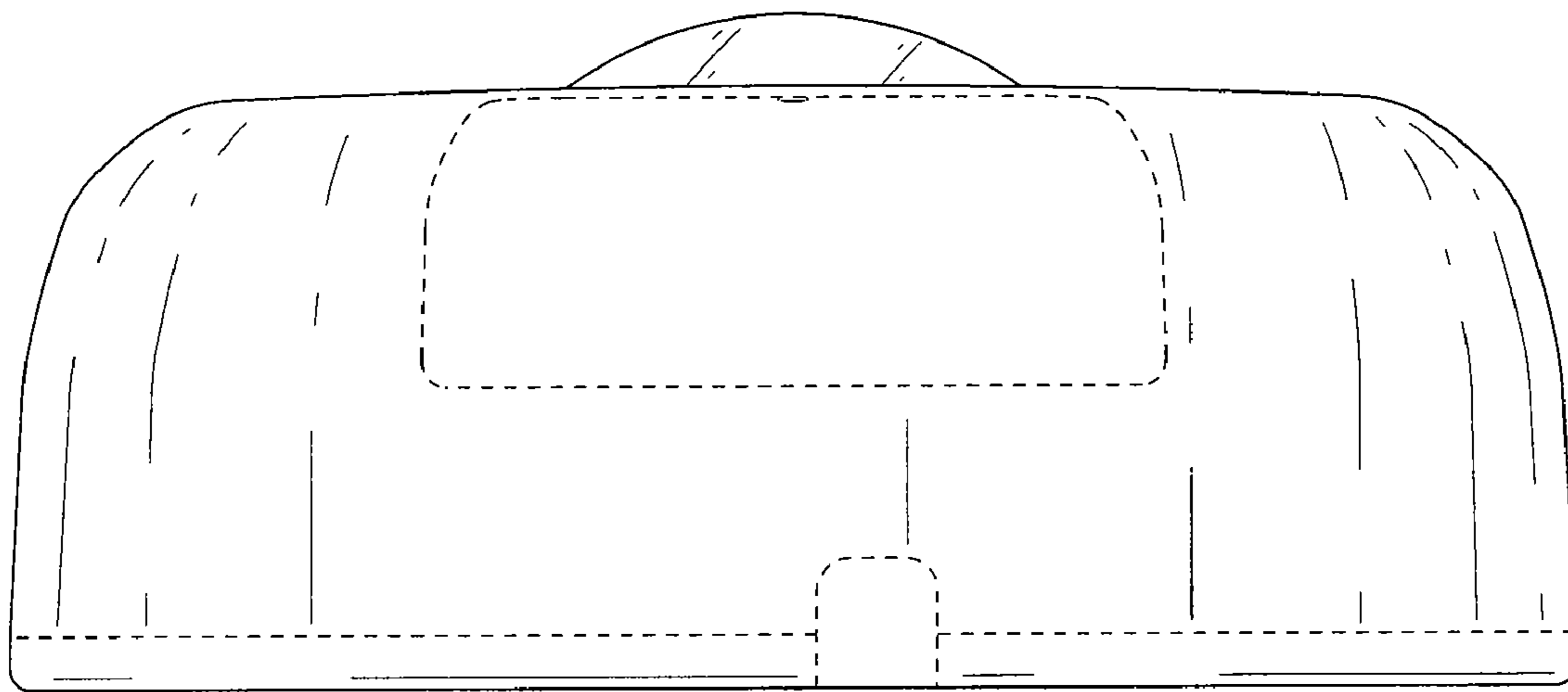


FIG.13

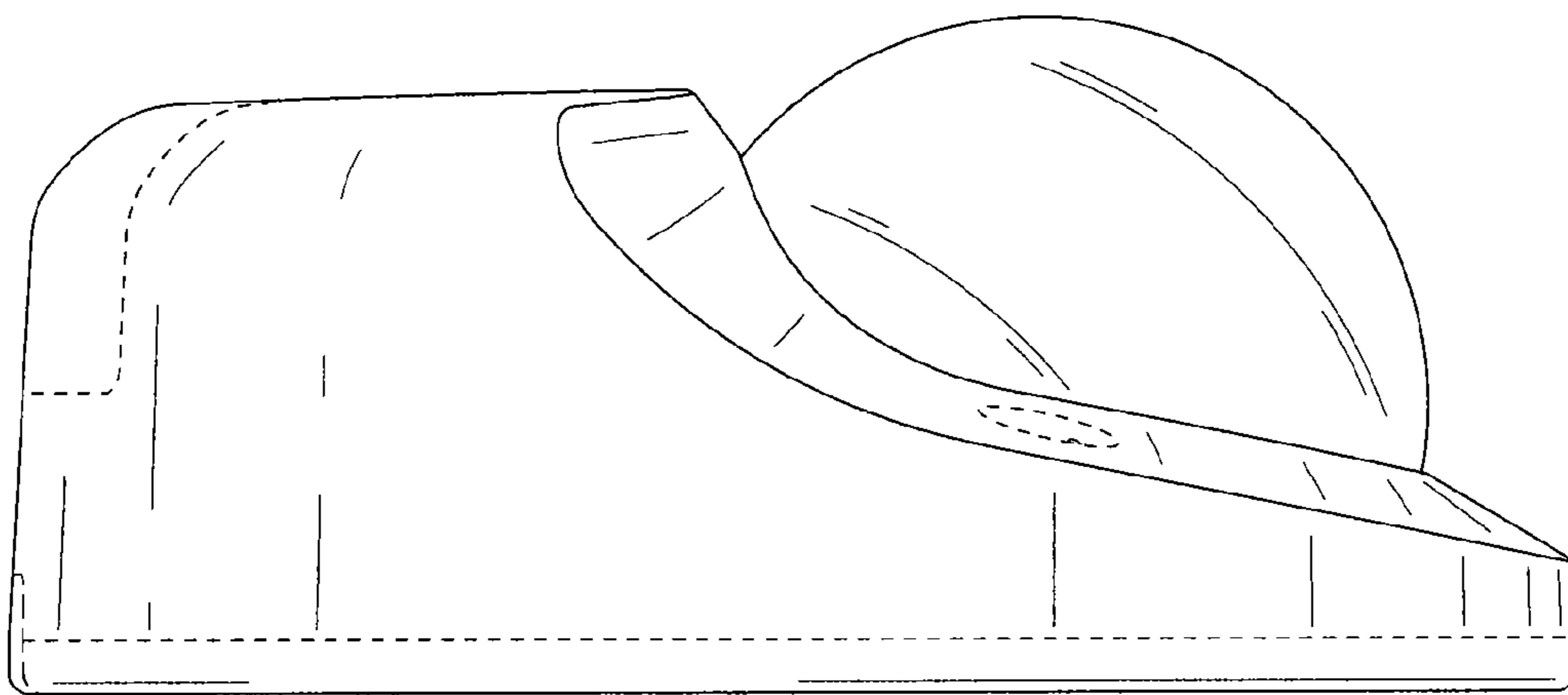


FIG.14

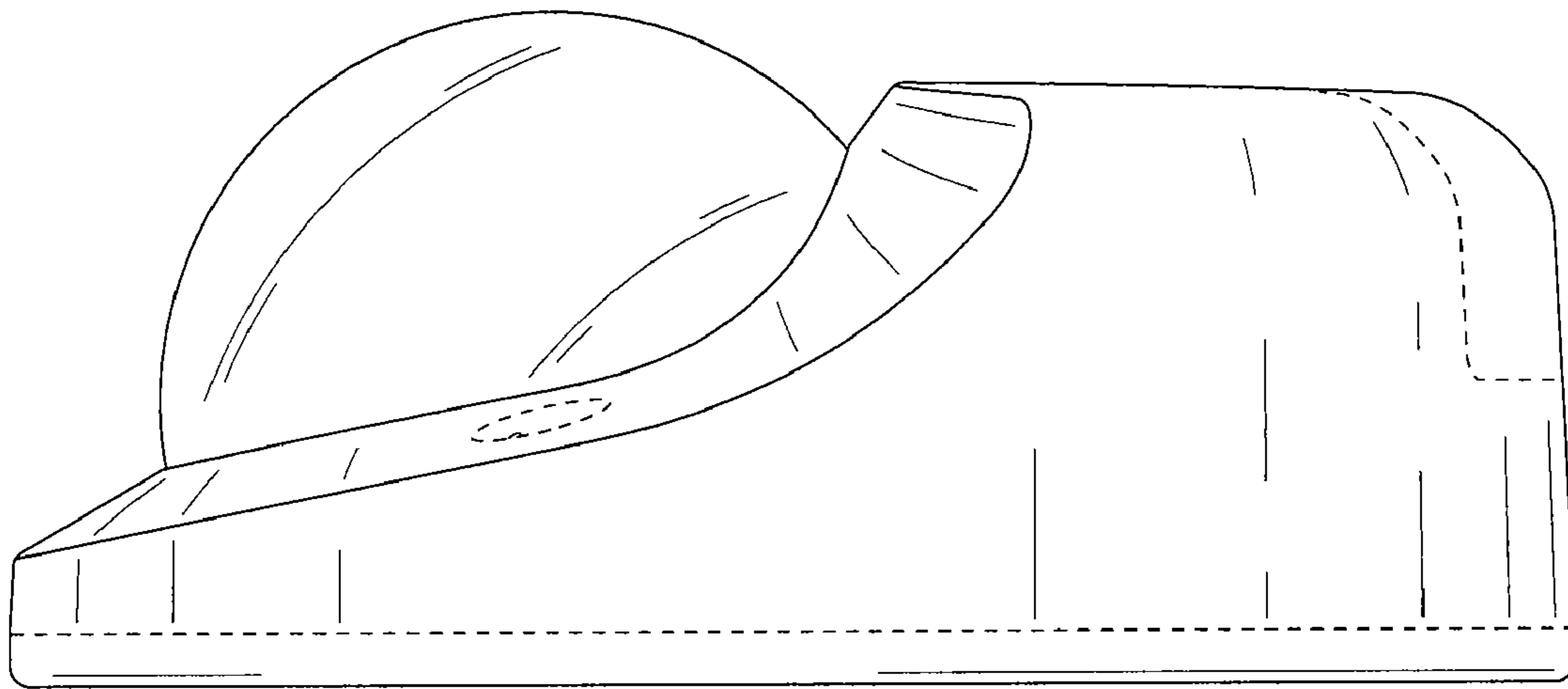


FIG.15

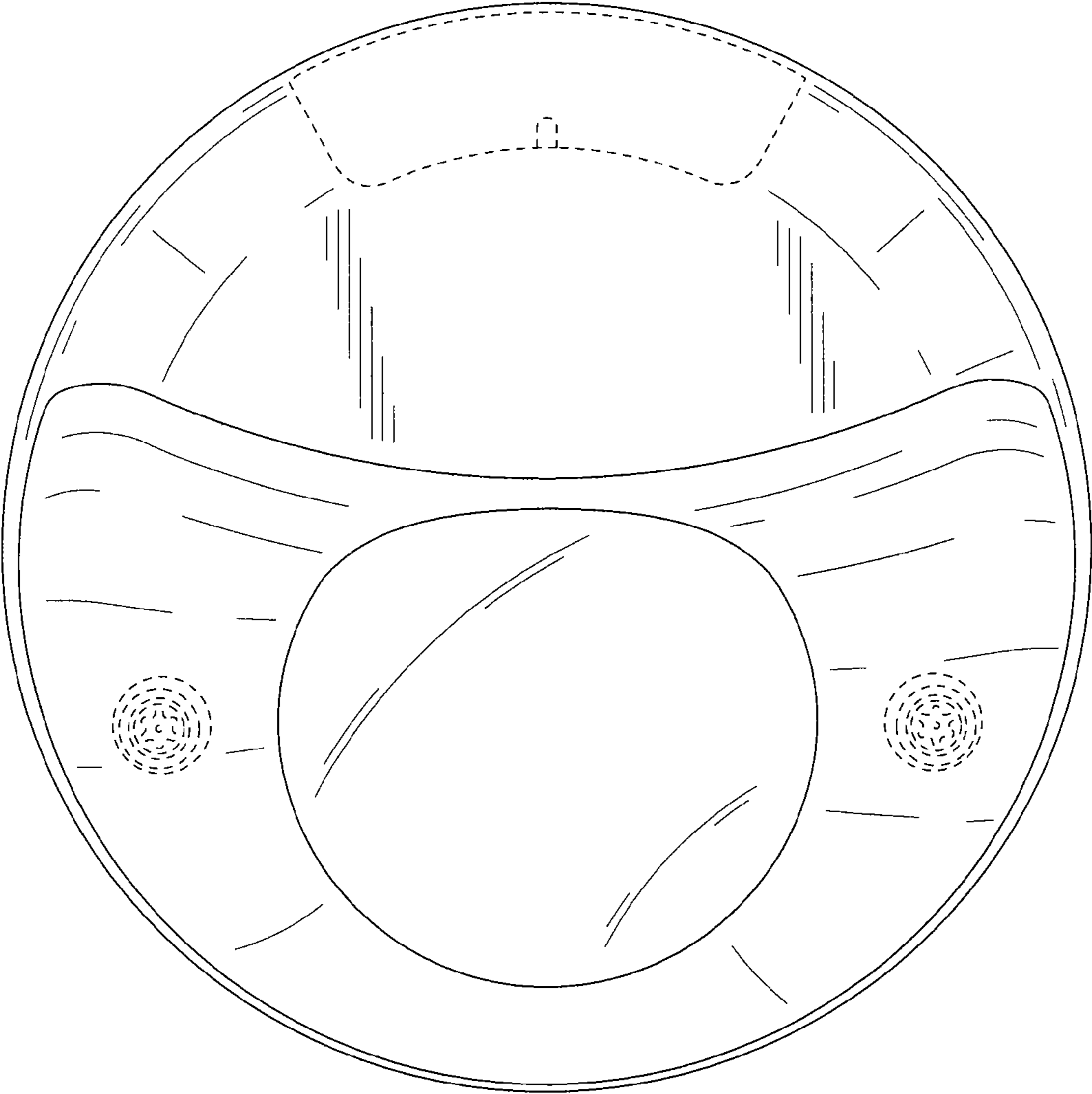


FIG.16

