



US00D676885S

(12) **United States Design Patent**
Iwabuchi

(10) **Patent No.:** **US D676,885 S**

(45) **Date of Patent:** **** Feb. 26, 2013**

(54) **TELESCOPE**

(75) Inventor: **Masanobu Iwabuchi**, Yokohama (JP)

(73) Assignee: **Nikon Corporation**, Tokyo (JP)

(**) Term: **14 Years**

(21) Appl. No.: **29/411,072**

(22) Filed: **Jan. 17, 2012**

(30) **Foreign Application Priority Data**

Jul. 22, 2011 (JP) 2011-016898

(51) **LOC (9) Cl.** **16-06**

(52) **U.S. Cl.** **D16/132**

(58) **Field of Classification Search** D16/130,
D16/132, 136, 242, 243, 231; D22/109;
250/214 VT; 359/350, 351, 399, 418, 422,
359/424, 431, 432, 426, 513, 428, 617, 819,
359/822

See application file for complete search history.

(56) **References Cited**

U.S. PATENT DOCUMENTS

D123,486 S *	11/1940	Miles	D16/132
D165,231 S *	11/1951	Kiefer, III et al.	D16/132
D215,355 S *	9/1969	Weatherby	D16/132
D272,916 S *	3/1984	Tomatsuri et al.	D16/132
D285,698 S *	9/1986	Ogasawara	D16/132
D285,802 S *	9/1986	Ogasawara	D16/132
D288,210 S *	2/1987	Mise	D16/132

D395,440 S *	6/1998	Ogasawara et al.	D16/132
D439,259 S *	3/2001	Yamaguchi	D16/132
D454,144 S *	3/2002	Ogasawara et al.	D16/132
D454,898 S *	3/2002	Ogasawara et al.	D16/132
D479,255 S *	9/2003	Hamamura	D16/132
D512,449 S *	12/2005	Regan et al.	D16/132
D572,740 S *	7/2008	Kitera	D16/132
D595,754 S *	7/2009	Hamilton	D16/132

* cited by examiner

Primary Examiner — Paula Greene

(74) *Attorney, Agent, or Firm* — Wolf, Greenfield & Sacks, P.C.; Randy J. Pritzker

(57) **CLAIM**

The ornamental design for a telescope, as shown and described.

DESCRIPTION

FIG. 1 is a front, top, and right side perspective view of a telescope showing my new design; FIG. 2 is a rear, bottom, and left side perspective view thereof; FIG. 3 is a front view thereof; FIG. 4 is a rear view thereof; FIG. 5 is a top plan view thereof; FIG. 6 is a bottom plan view thereof; FIG. 7 is a right side view thereof; and, FIG. 8 is a left side view thereof.

The features shown in broken lines in the drawings depict environmental subject matter only and form no part of the claimed design. The dash-dotted lines denote the boundary of the claim and form no part of the claimed design.

1 Claim, 7 Drawing Sheets

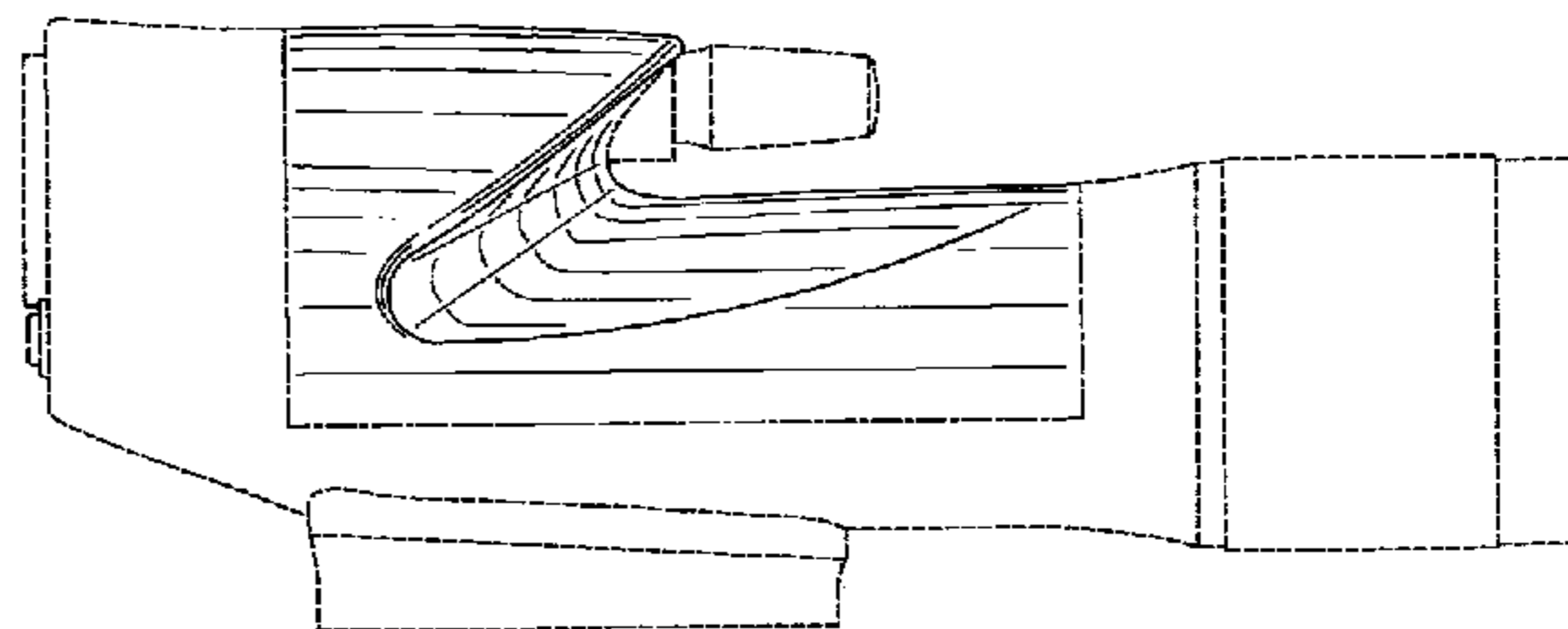
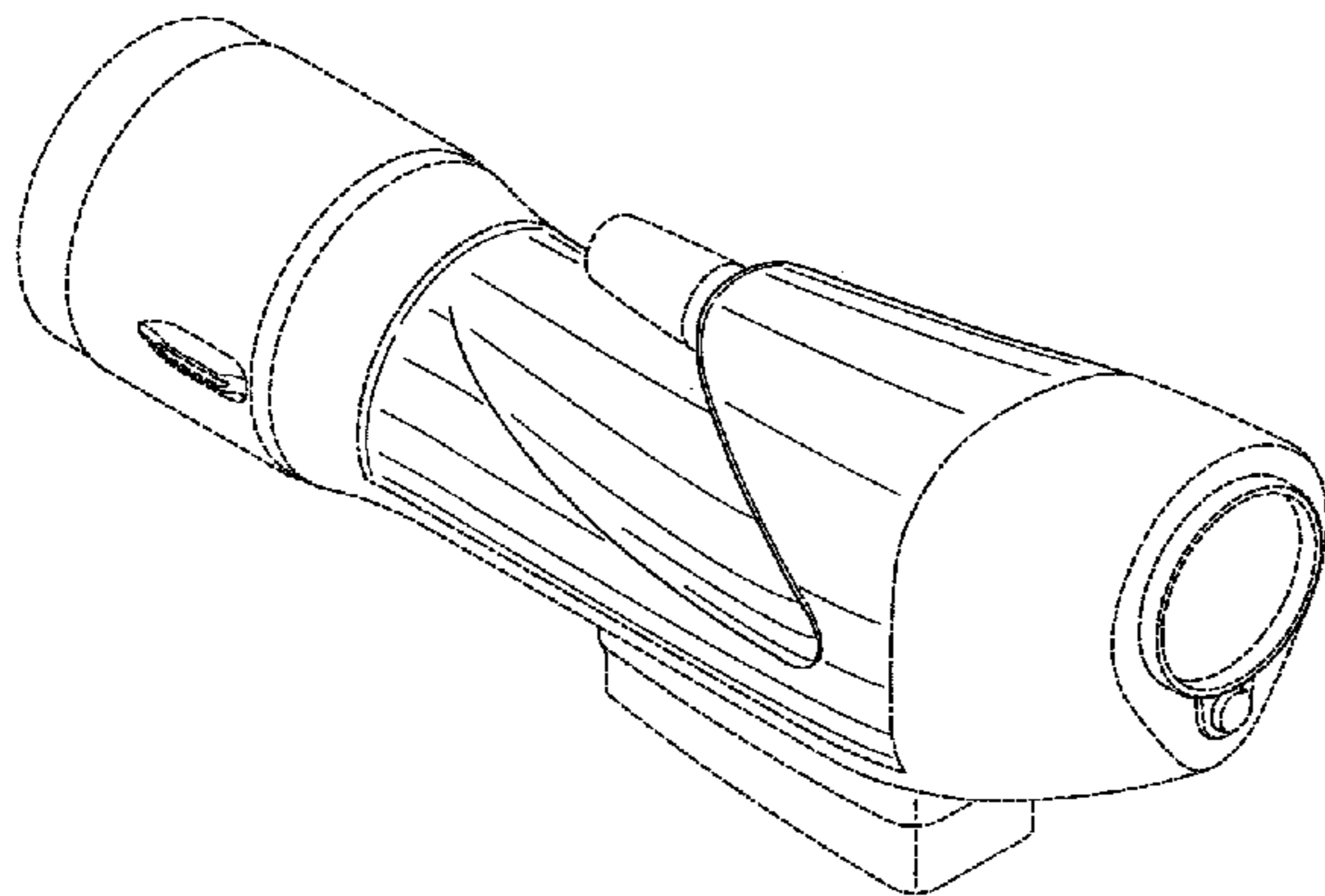


FIG. 1

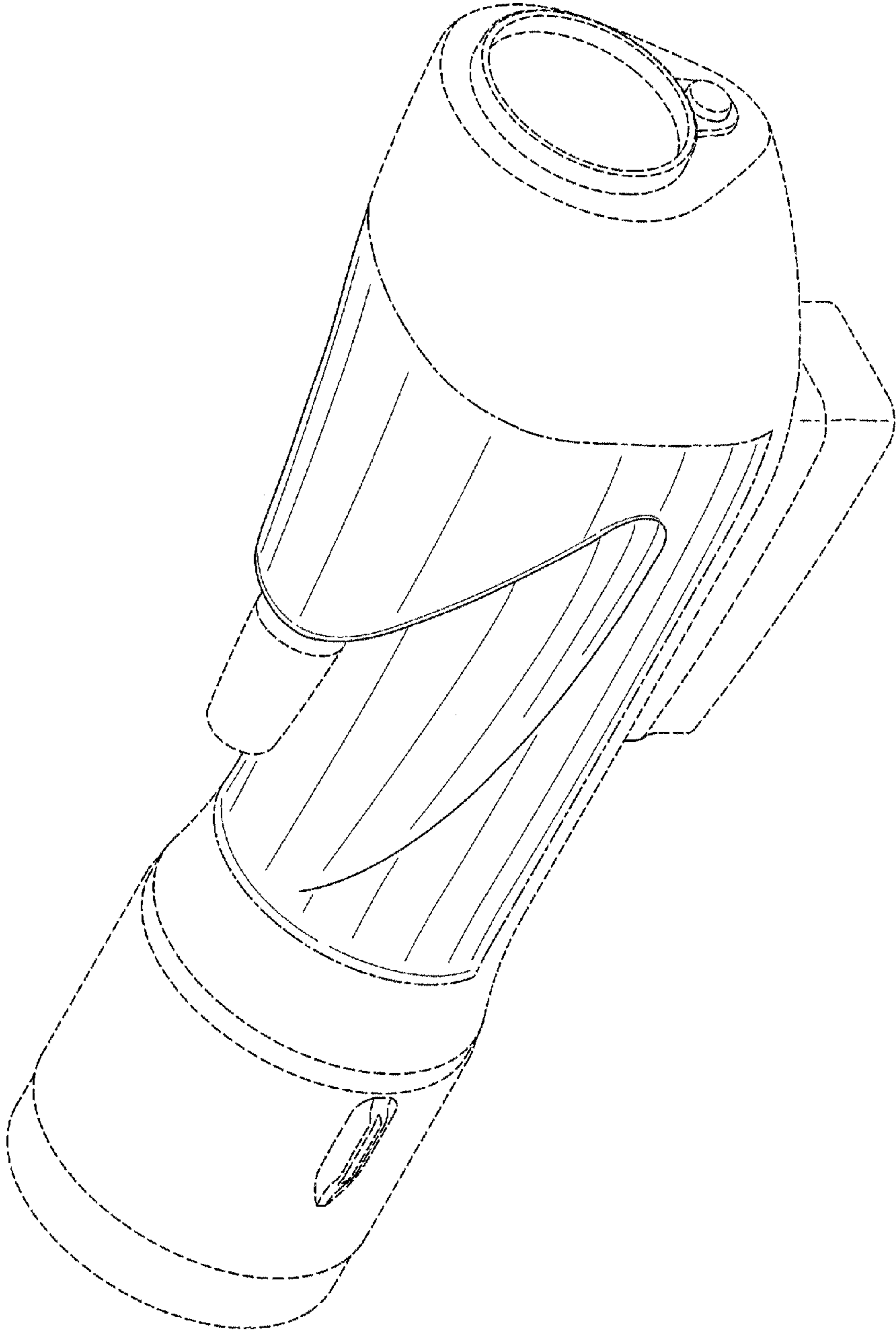


FIG. 2

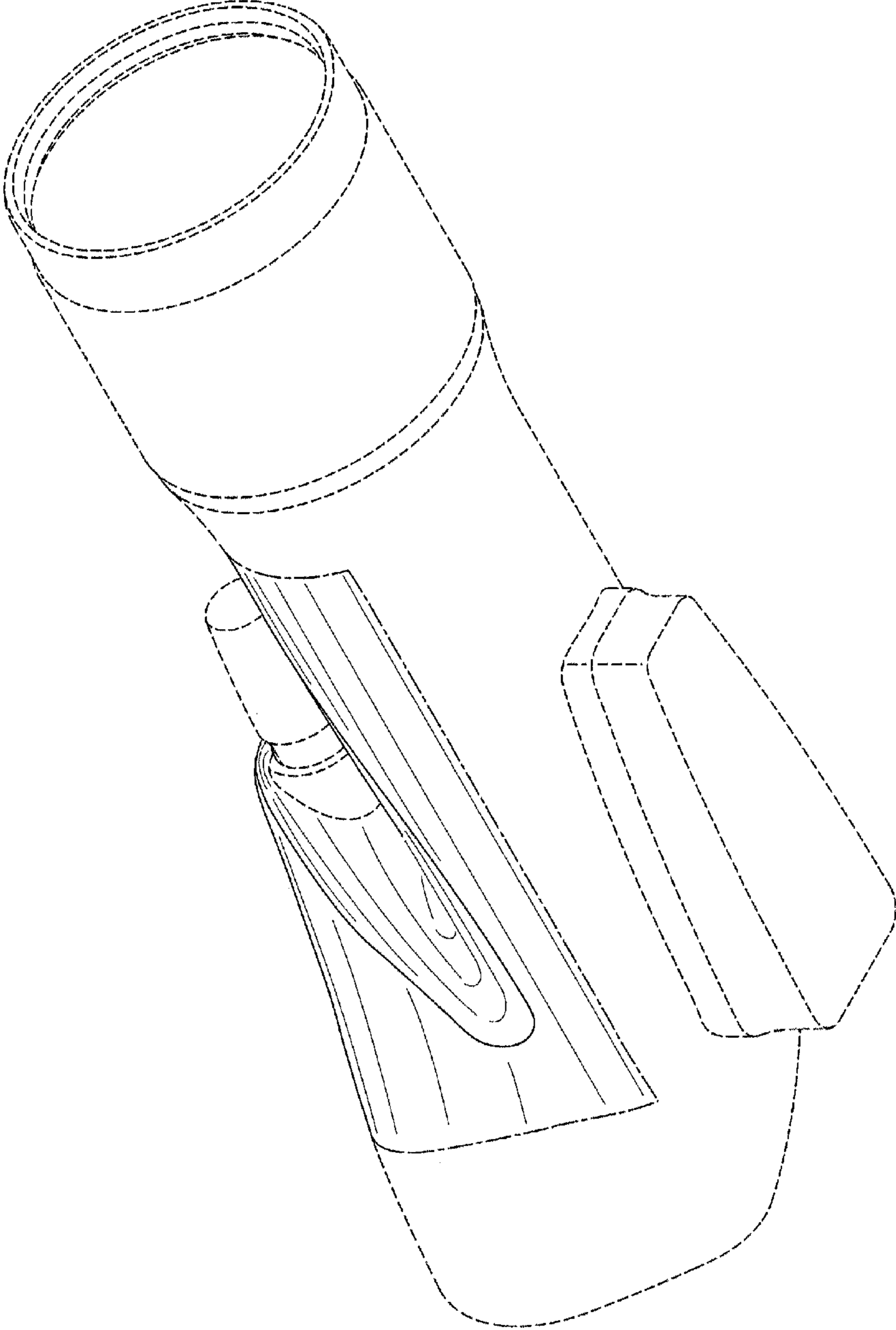


FIG. 3

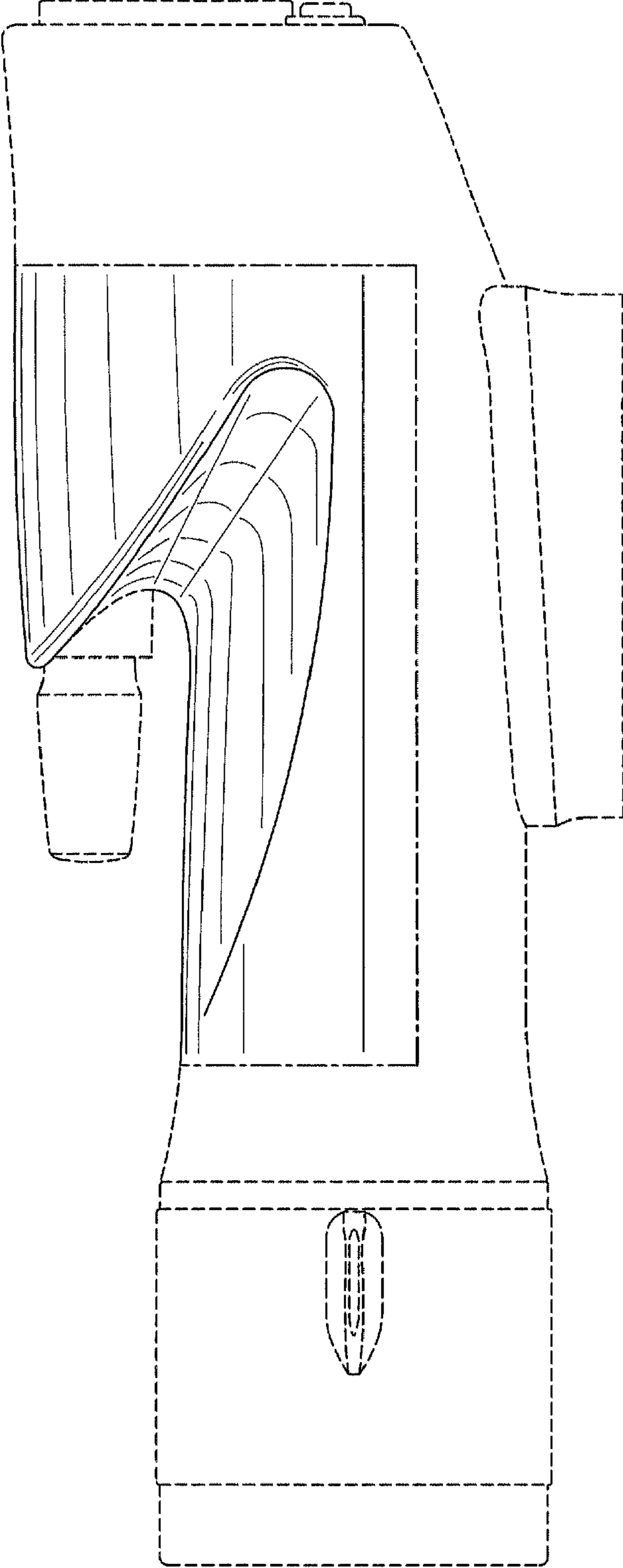


FIG. 4

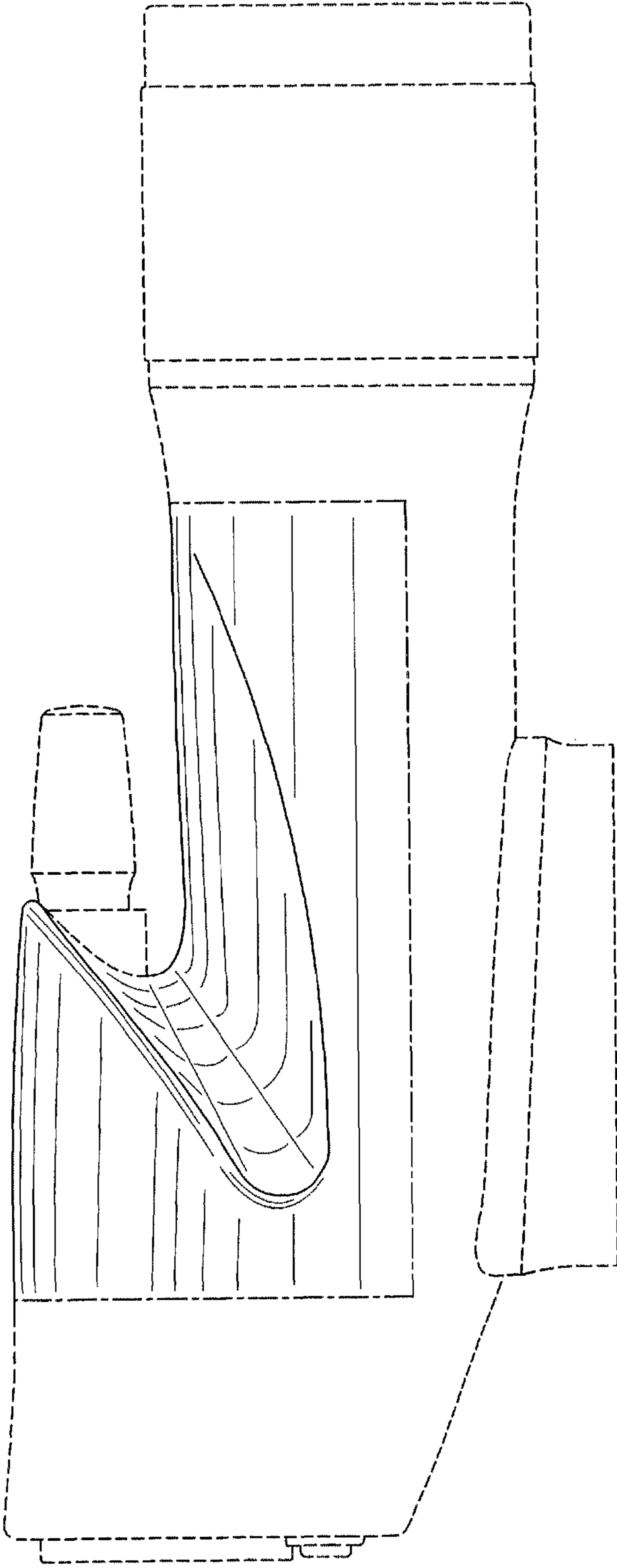


FIG. 5

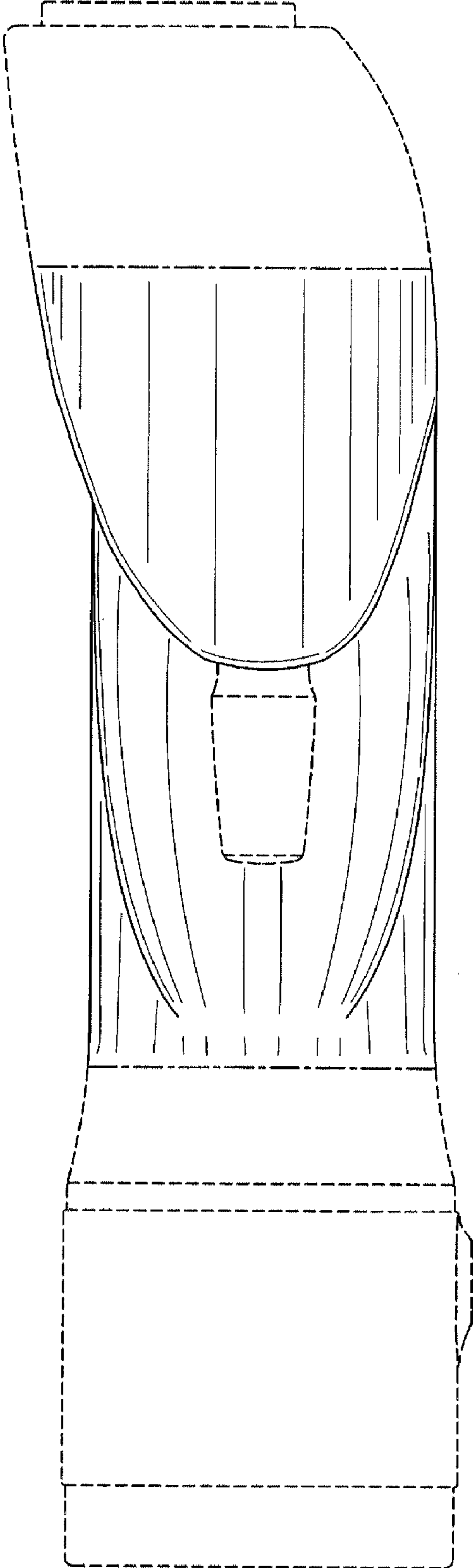


FIG. 6

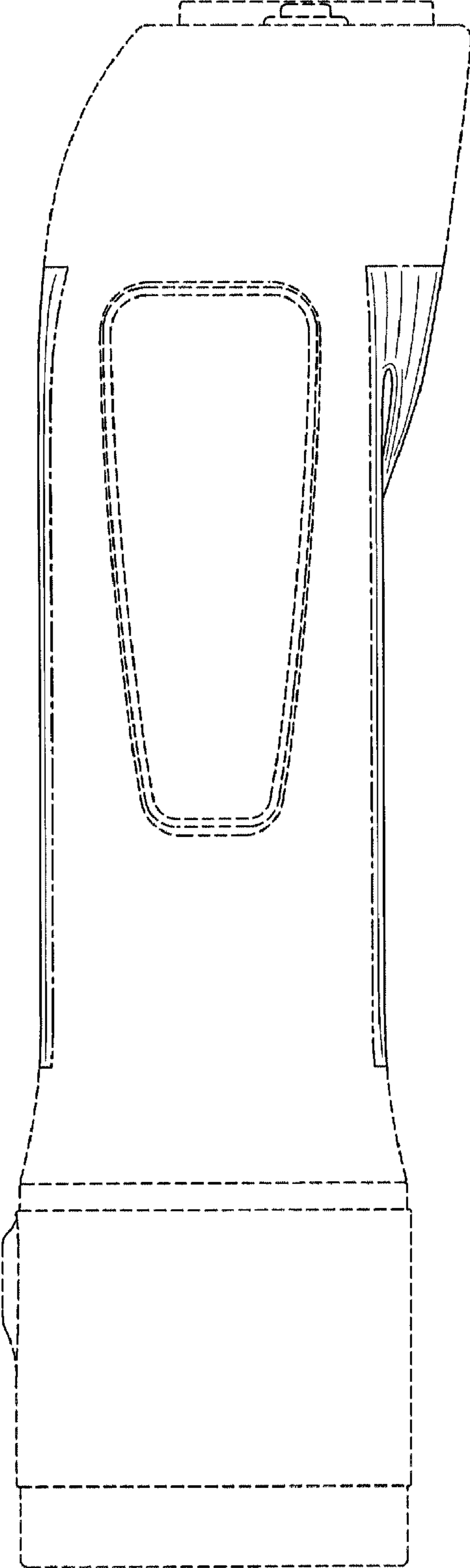


FIG. 7

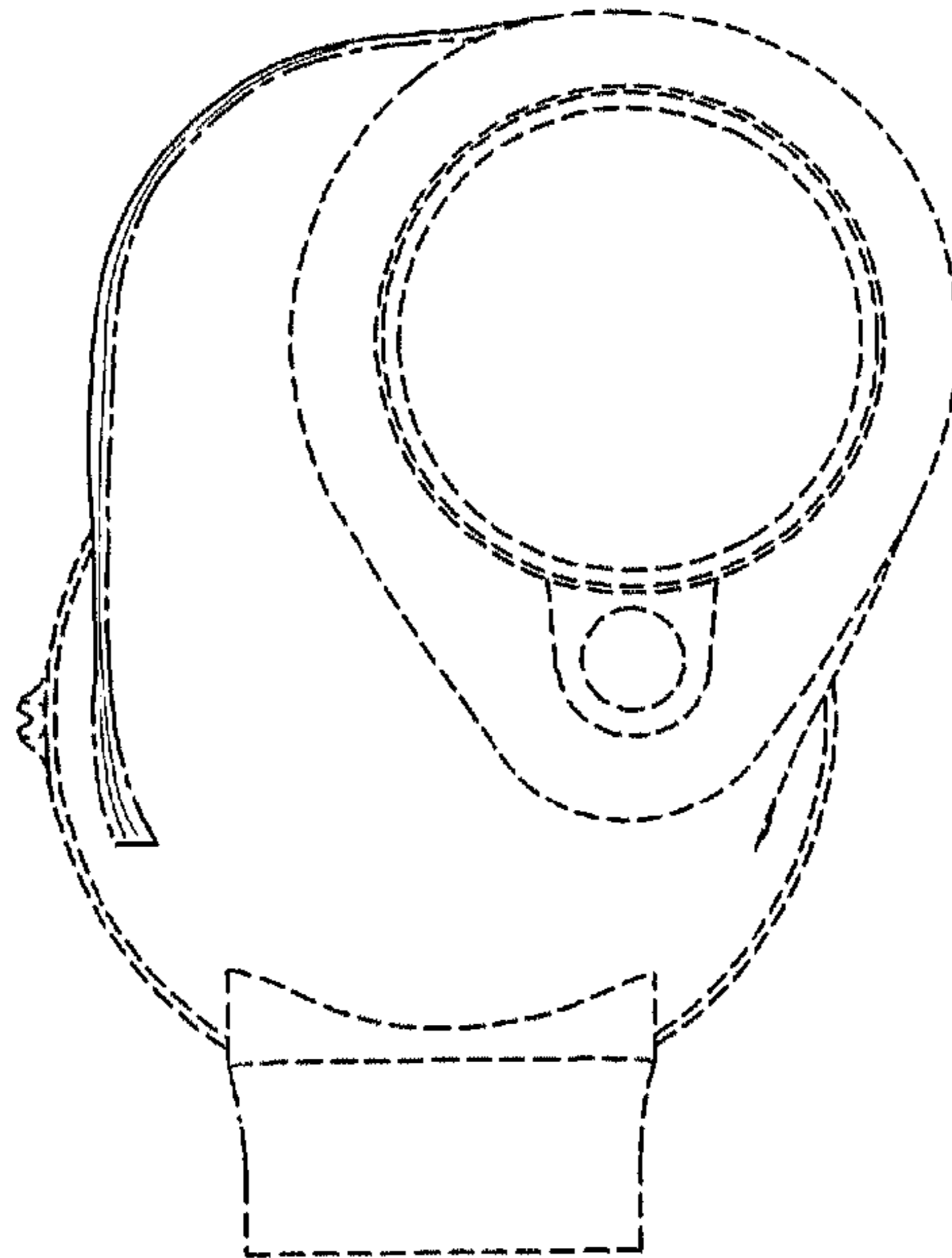


FIG. 8

