



US00D676884S

(12) **United States Design Patent**  
**Zhang et al.**

(10) **Patent No.:** **US D676,884 S**

(45) **Date of Patent:** **\*\* Feb. 26, 2013**

(54) **GEAR UNIT**

(75) Inventors: **Yongsheng Zhang**, Suzhou (CN);  
**Guangpei Fu**, Suzhou (CN)

(73) Assignee: **Boneng Transmission (Suzhou) Co. Ltd.**, Xiangcheng District, Suzhou (CN)

(\*\*) Term: **14 Years**

(21) Appl. No.: **29/399,667**

(22) Filed: **Aug. 17, 2011**

(51) **LOC (9) Cl.** ..... **15-99**

(52) **U.S. Cl.** ..... **D15/148**

(58) **Field of Classification Search** ..... D15/5,  
D15/148, 149, 199; 74/395, 464; 280/5.5-5.524;  
427/249.19; 428/408; 475/83, 331-335,  
475/344, 345, 901

See application file for complete search history.

(56) **References Cited**

**U.S. PATENT DOCUMENTS**

D278,824 S \* 5/1985 Votaw ..... D15/149  
D368,919 S \* 4/1996 Lannoch ..... D15/148

D416,922 S \* 11/1999 Lannoch ..... D15/148  
D437,334 S \* 2/2001 Song ..... D15/148  
D571,837 S \* 6/2008 Lannoch ..... D15/148  
D654,092 S \* 2/2012 Lugli et al. .... D15/5

\* cited by examiner

*Primary Examiner* — Patricia Palasik

(57) **CLAIM**

The ornamental design for the gear unit, as shown and described.

**DESCRIPTION**

FIG. 1 is a front perspective view of the gear unit embodying my new design;

FIG. 2 is a front view thereof;

FIG. 3 is a back view thereof;

FIG. 4 is a right view thereof;

FIG. 5 is a left view thereof;

FIG. 6 is a bottom view thereof; and,

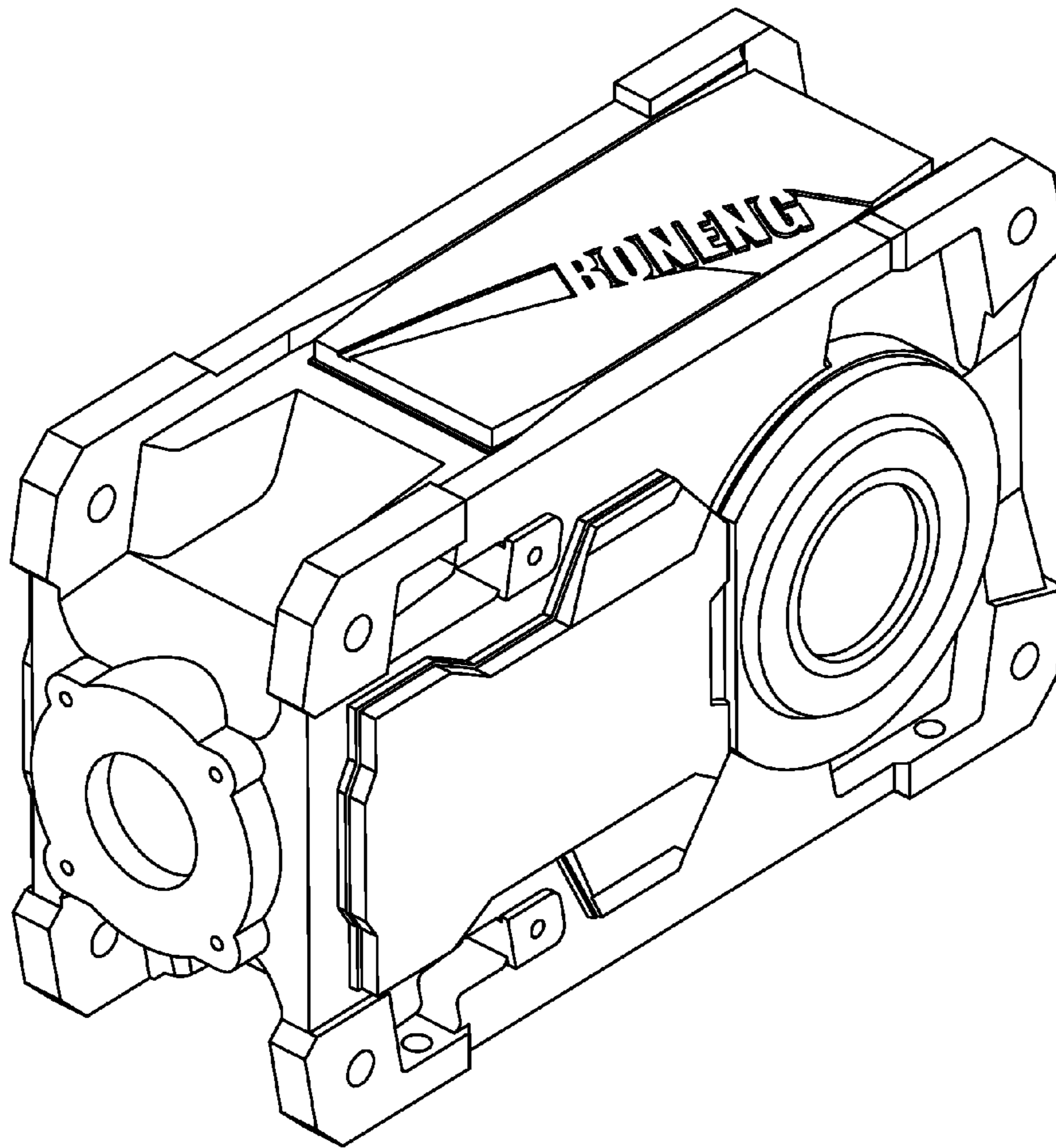
FIG. 7 is a top view thereof.

Broken lines represent unclaimed boundaries of the design.

Shading lines are for illustrative purposes only and form no

part of the claimed design.

**1 Claim, 4 Drawing Sheets**



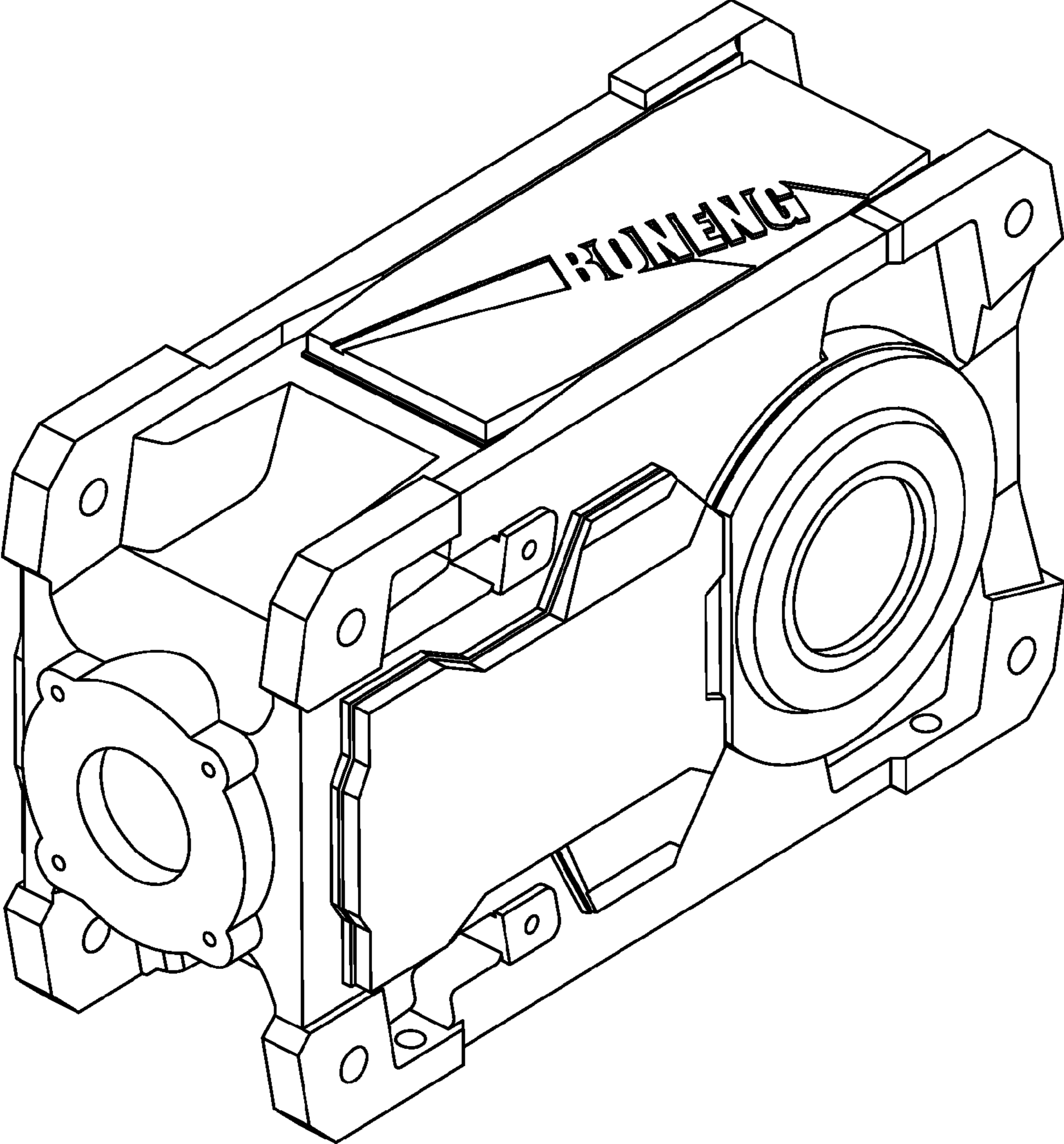


Fig.1

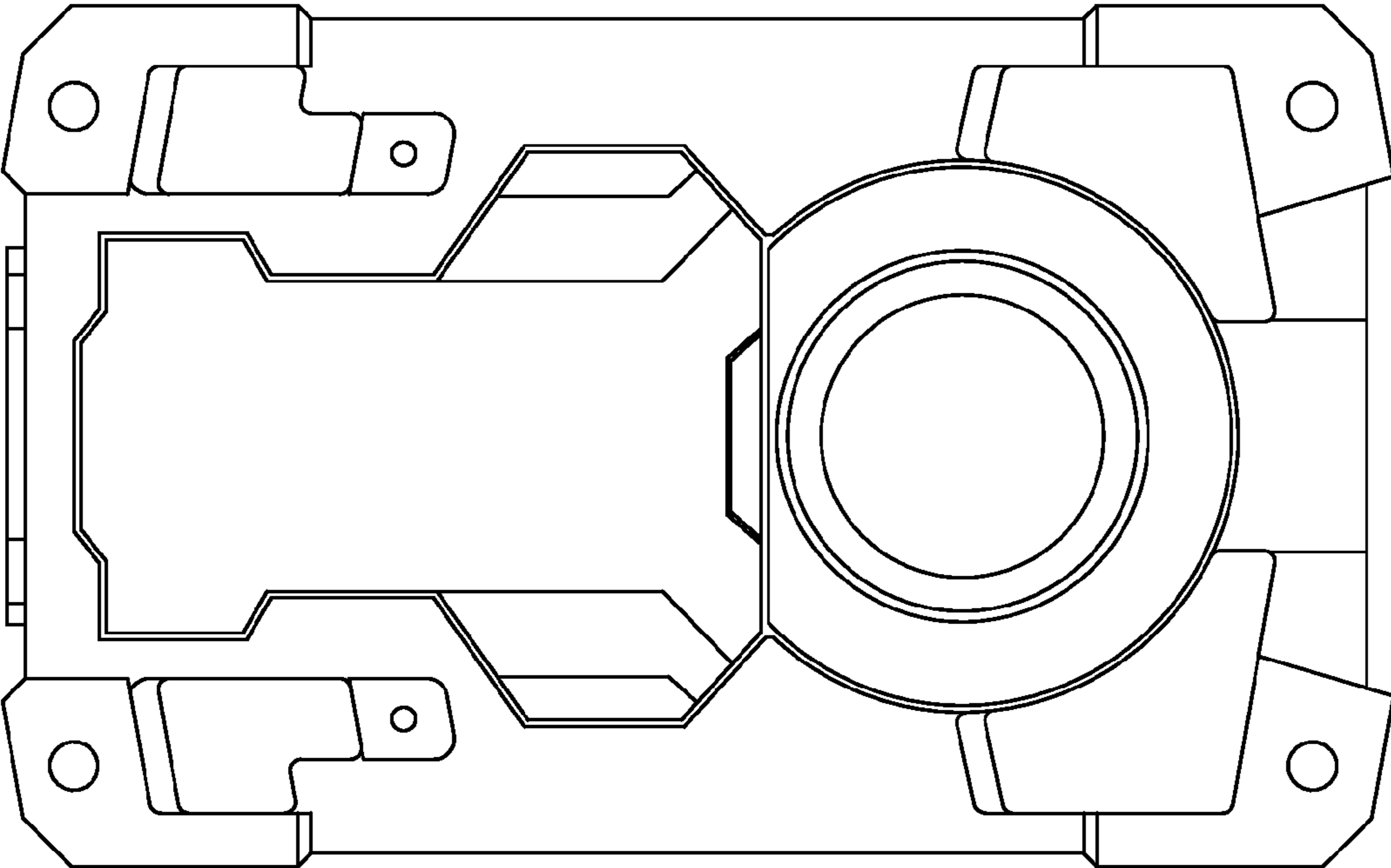


Fig.2

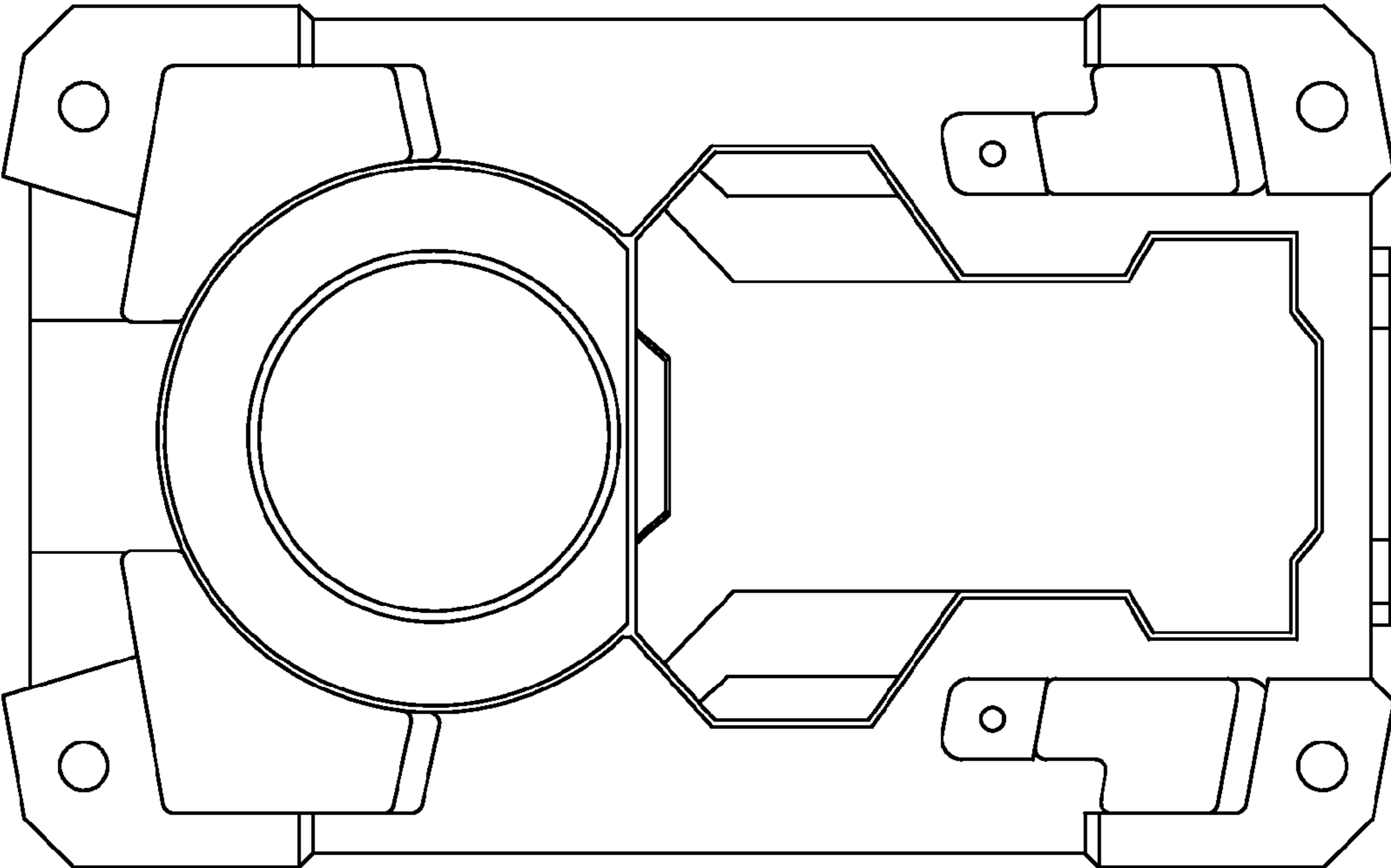


Fig.3

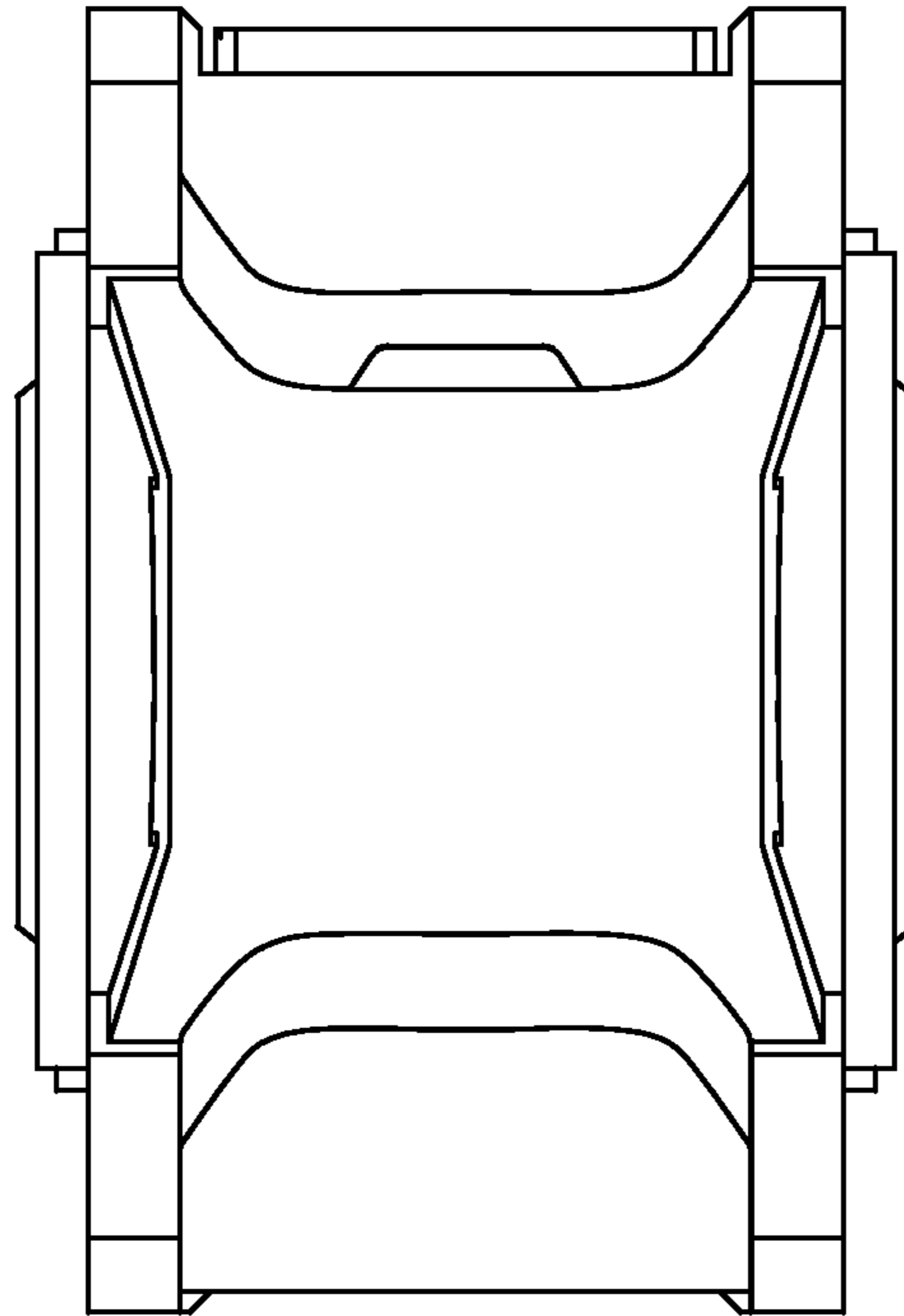


Fig.4

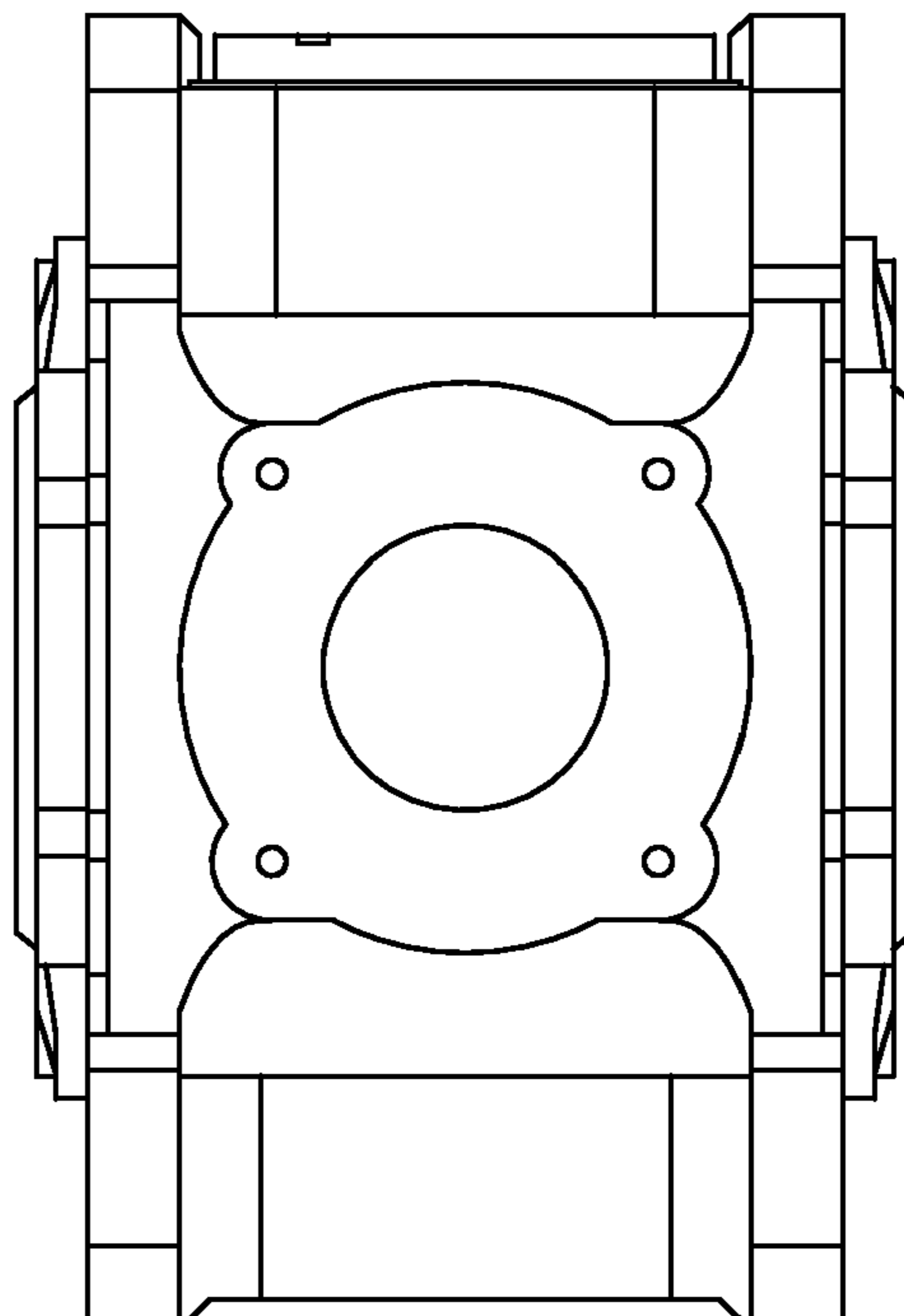


Fig.5

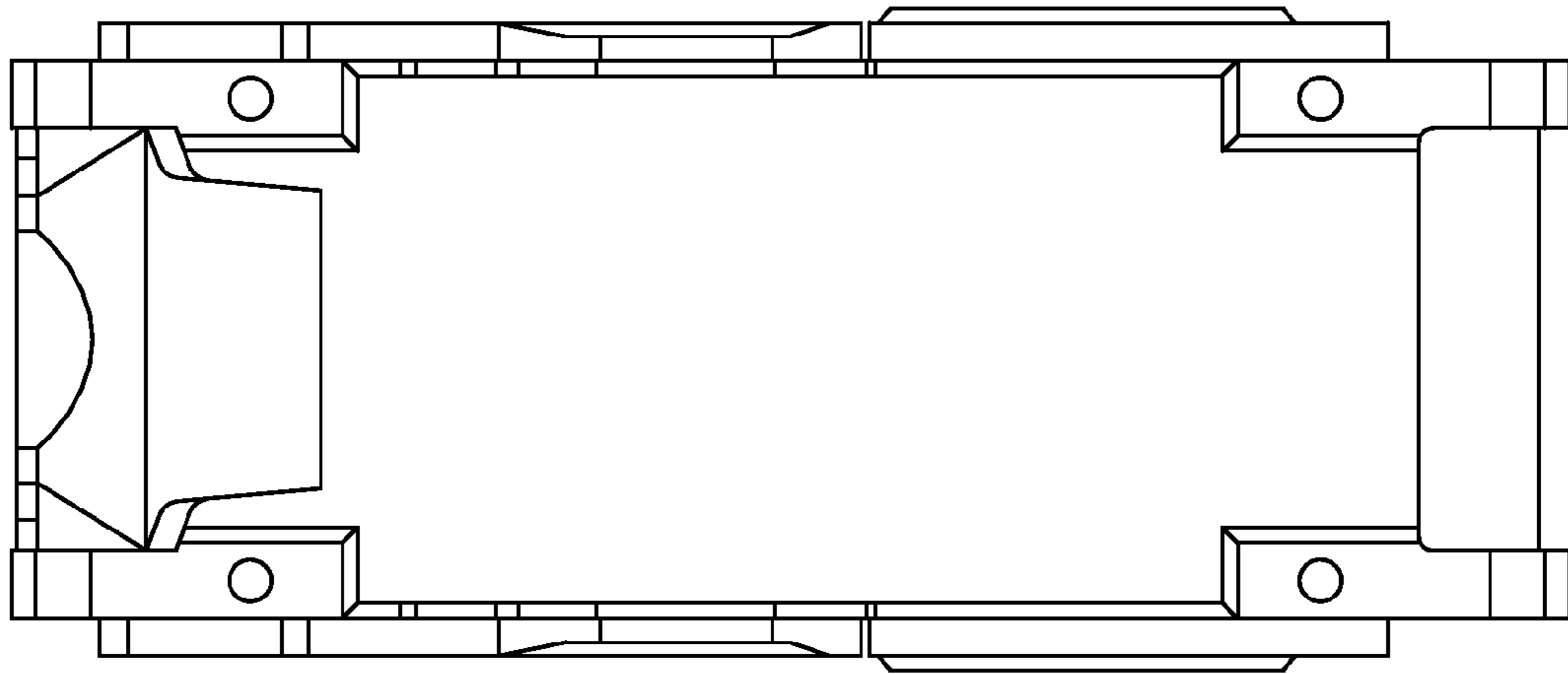


Fig.6

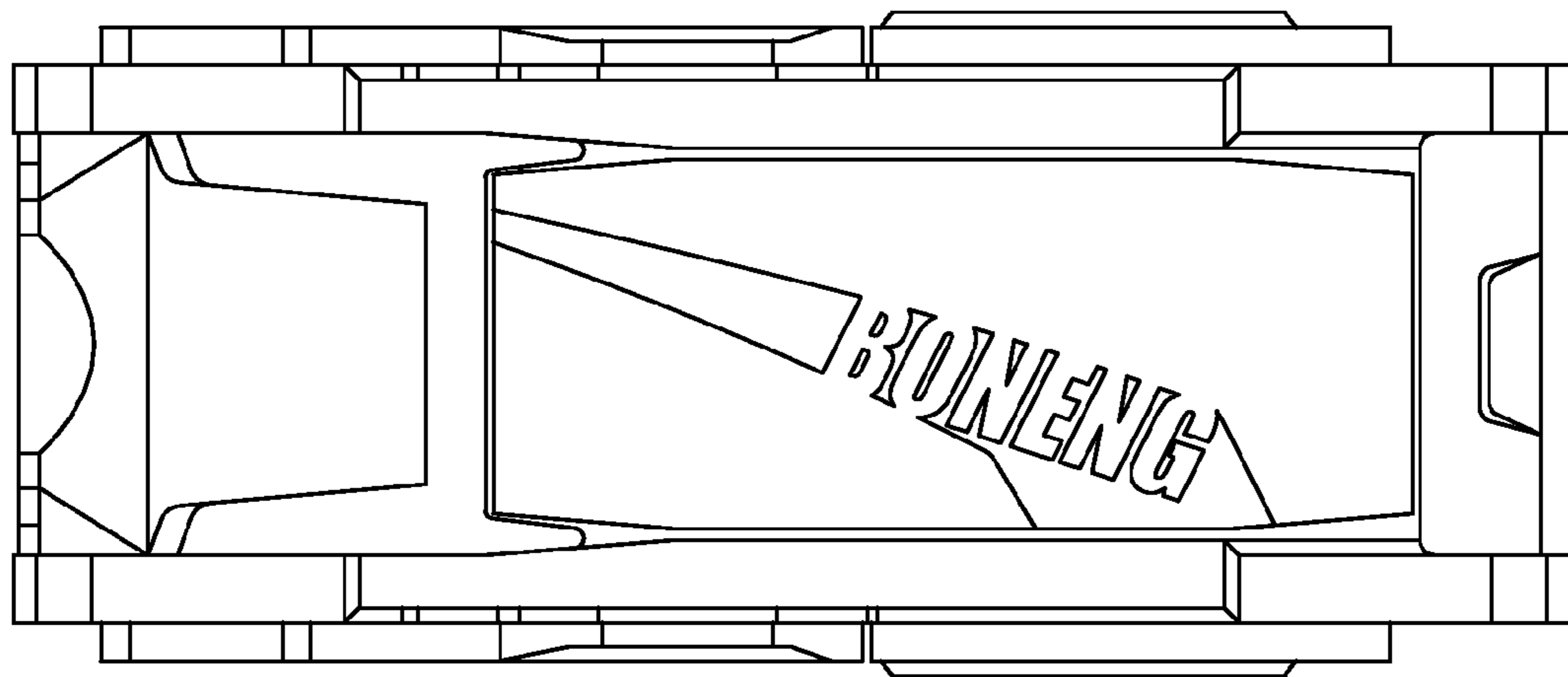


Fig.7