



US00D676883S

(12) **United States Design Patent**  
**Banjo et al.**

(10) **Patent No.:** **US D676,883 S**  
(45) **Date of Patent:** **\*\* Feb. 26, 2013**

- (54) **LOG SPLITTING DEVICE**
- (75) Inventors: **Daniel Banjo**, Boulder, CO (US);  
**Jonathan Harrach-Salazar**, Erie, CO (US)
- (73) Assignee: **Special Products Co.**, Golden, CO (US)
- (\*\*) Term: **14 Years**
- (21) Appl. No.: **29/431,547**
- (22) Filed: **Sep. 7, 2012**

4,412,570 A *	11/1983	Nickerson	.....	144/195.1
4,431,362 A	2/1984	Wech		
4,444,232 A	4/1984	Loos		
4,453,580 A *	6/1984	Patten	.....	144/195.1
4,467,851 A	8/1984	Hockman		
4,506,712 A	3/1985	Johnson		
4,589,457 A	5/1986	Schmidt		
4,782,870 A	11/1988	Duerr		
5,337,810 A *	8/1994	McCormack	.....	144/195.1
D528,570 S	9/2006	Lewis		
7,255,143 B1 *	8/2007	Babcock et al.	.....	144/4.6
D552,133 S	10/2007	Babcock		
D566,733 S	4/2008	Babcock		

\* cited by examiner

**Related U.S. Application Data**

- (62) Division of application No. 29/376,699, filed on Oct. 11, 2010, now Pat. No. Des. 669,507.
- (51) **LOC (9) Cl.** ..... **15-09**
- (52) **U.S. Cl.** ..... **D15/127**
- (58) **Field of Classification Search** ..... D8/47;  
D15/28, 127, 133, 138, 139, 199; 83/468.1,  
83/471.2, 471.3, 477.2, 486.1, 574, 701,  
83/928; 108/12, 19; 144/193.1-195.6, 195.8,  
144/286.5, 287, 366; 254/104; 269/1  
See application file for complete search history.

*Primary Examiner* — Patricia Palasik

(74) *Attorney, Agent, or Firm* — Schwabe Williamson & Wyatt

(57) **CLAIM**

The ornamental design for a log splitting device, as shown and described.

**DESCRIPTION**

FIG. 1 is a front perspective view of a log splitting device showing the claimed design;  
 FIG. 2 is a left elevation view thereof;  
 FIG. 3 is a front elevation view thereof;  
 FIG. 4 is a right elevation view thereof;  
 FIG. 5 is a top plan view thereof;  
 FIG. 6 is a rear elevation view thereof; and,  
 FIG. 7 is a bottom plan view thereof.  
 The broken lines show environment, are for illustrative purposes only, and form no part of the claimed design.

(56) **References Cited**

**U.S. PATENT DOCUMENTS**

3,779,295 A *	12/1973	Balsbaugh	.....	144/195.1
3,862,651 A	1/1975	Heikkinen		
D255,686 S	7/1980	Duppong		
4,240,476 A	12/1980	Ratray		
4,366,848 A	1/1983	Gavinski		

**1 Claim, 2 Drawing Sheets**

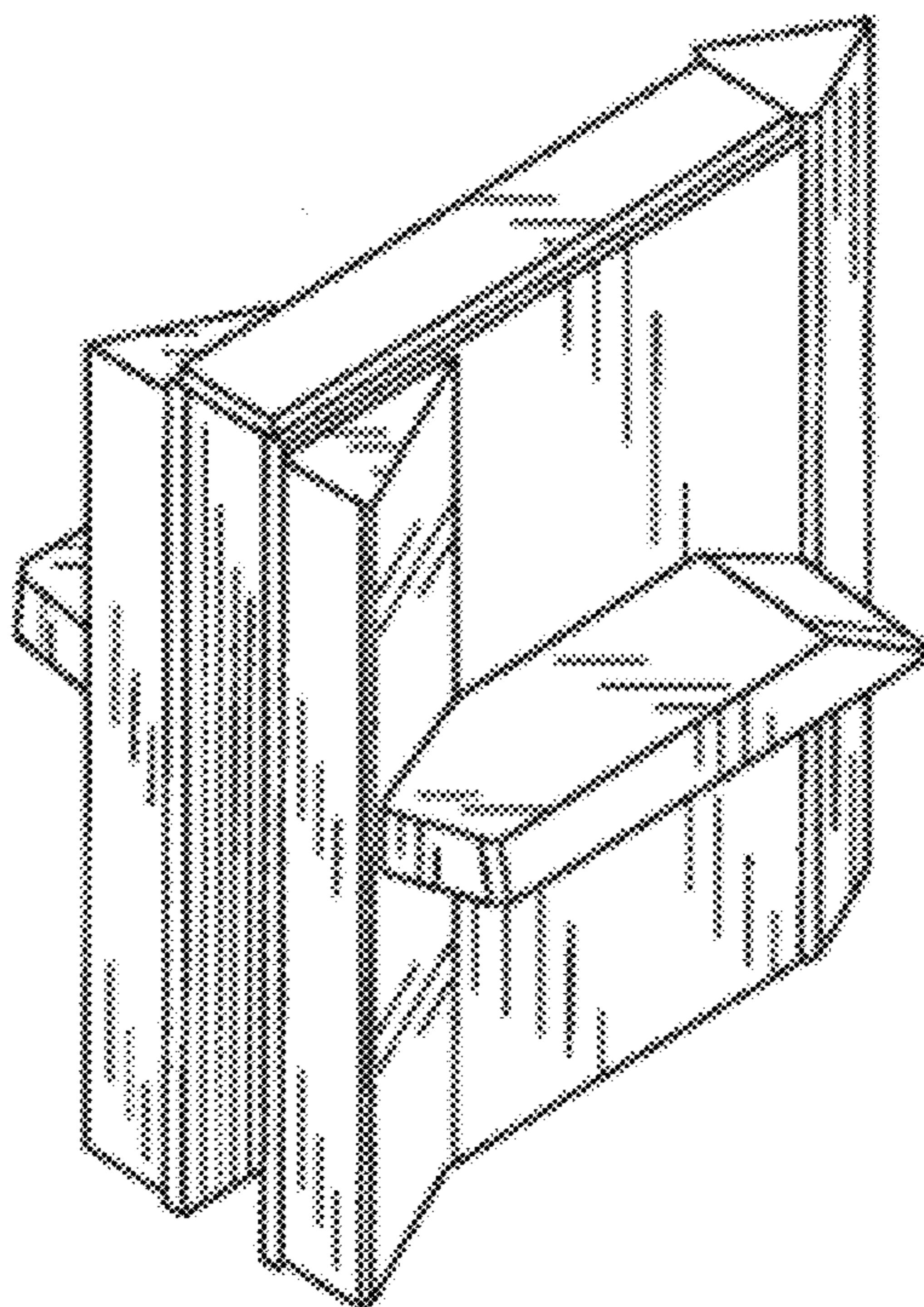


Fig. 1

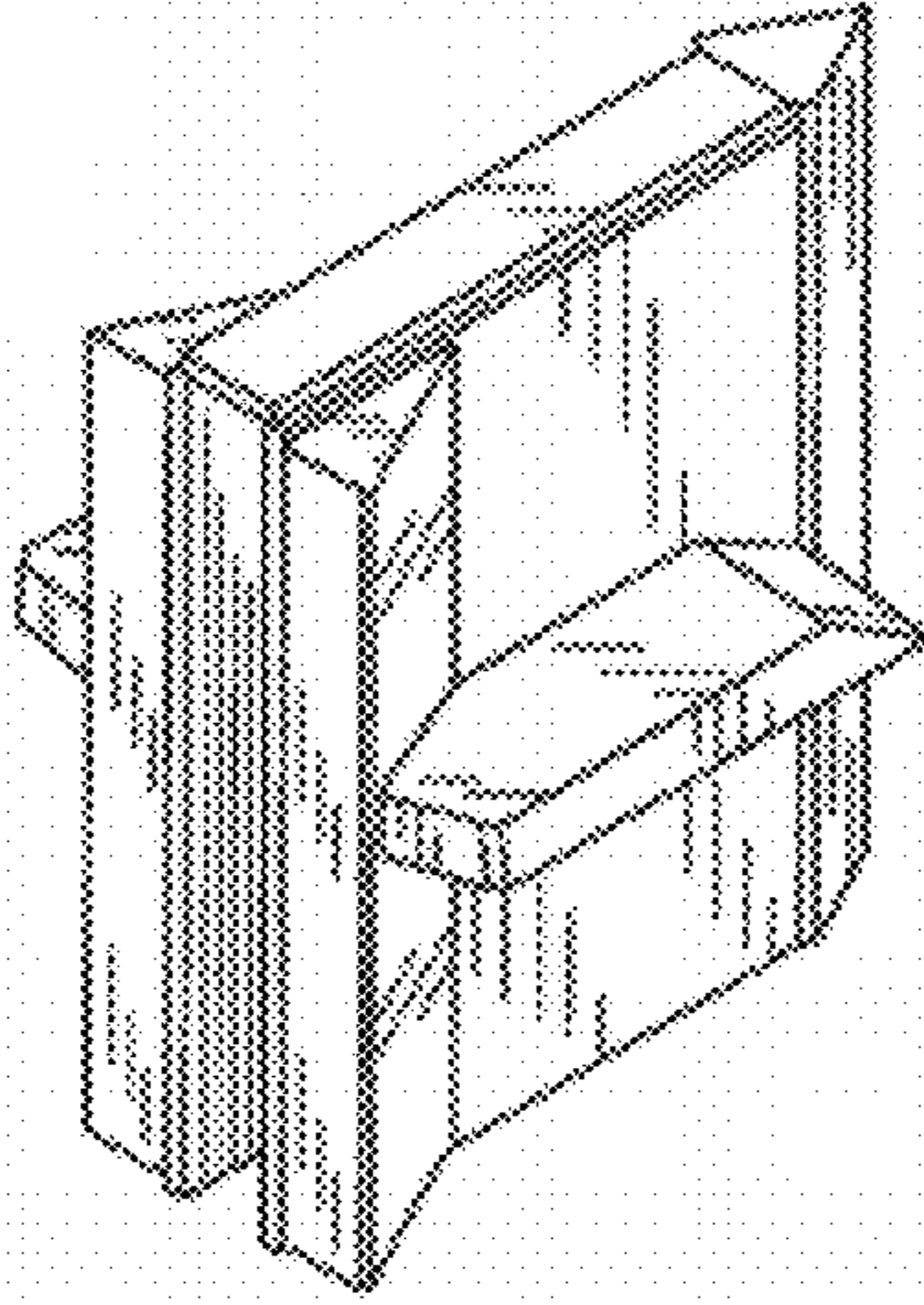


Fig. 2

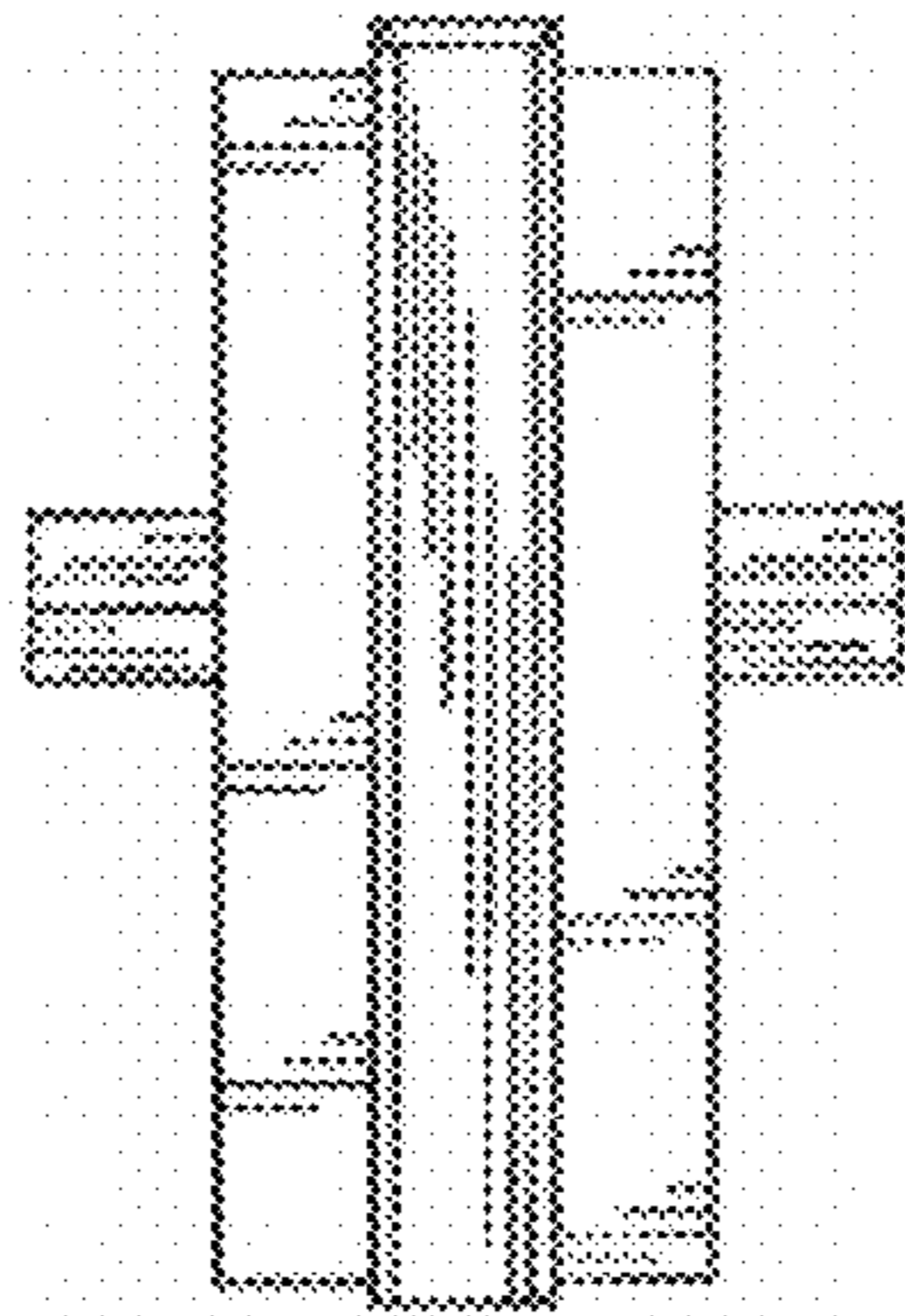


Fig. 3

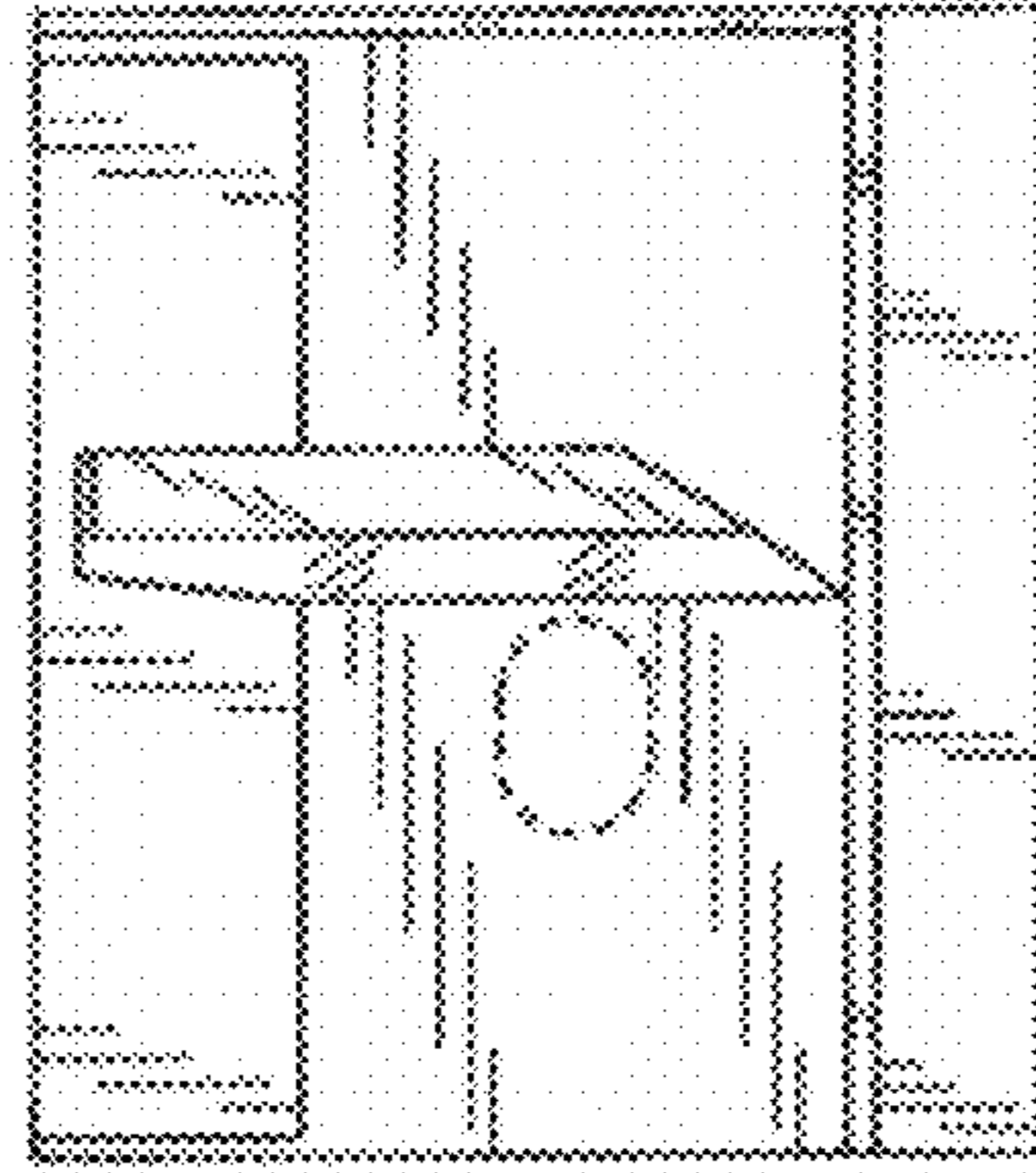
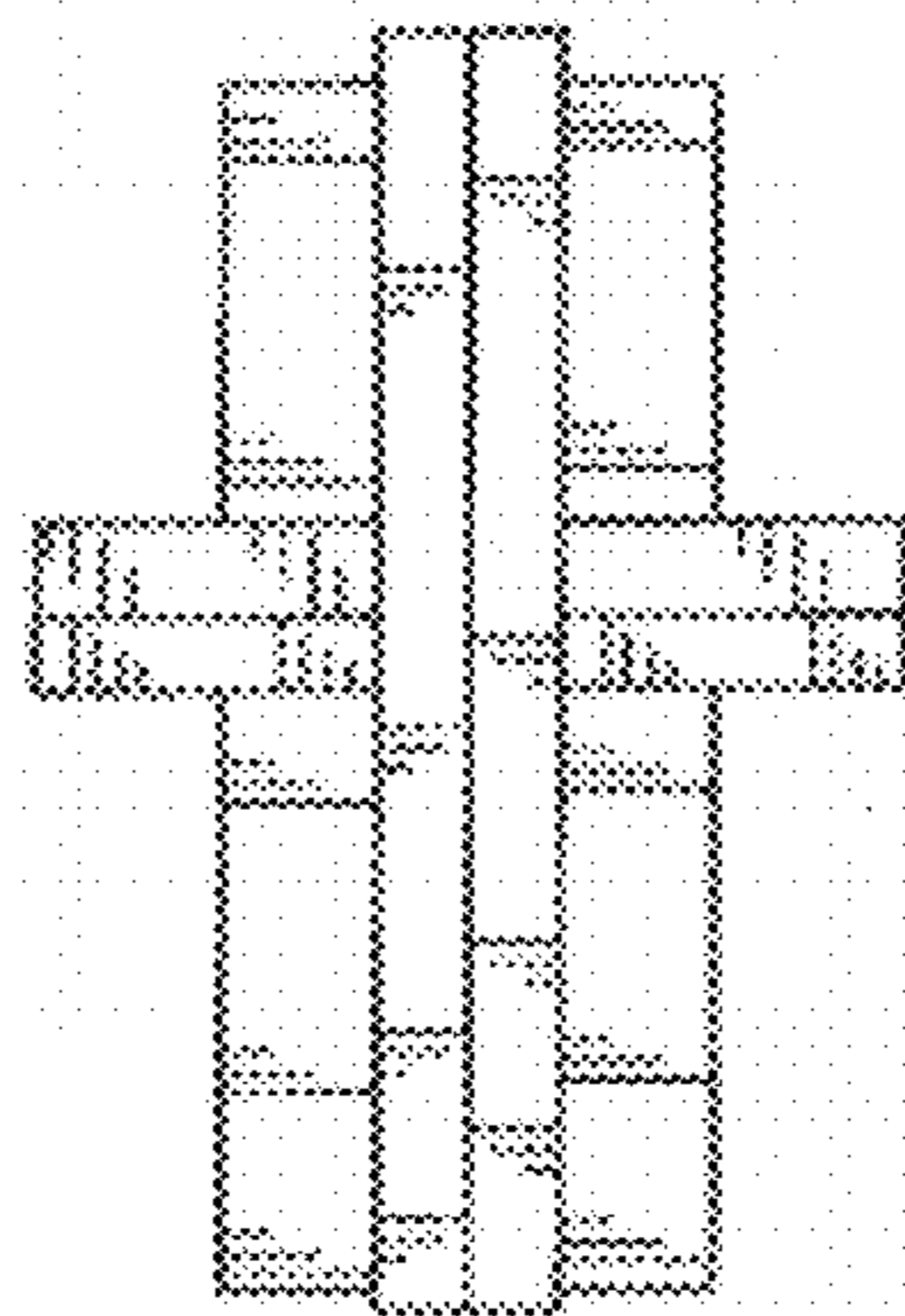
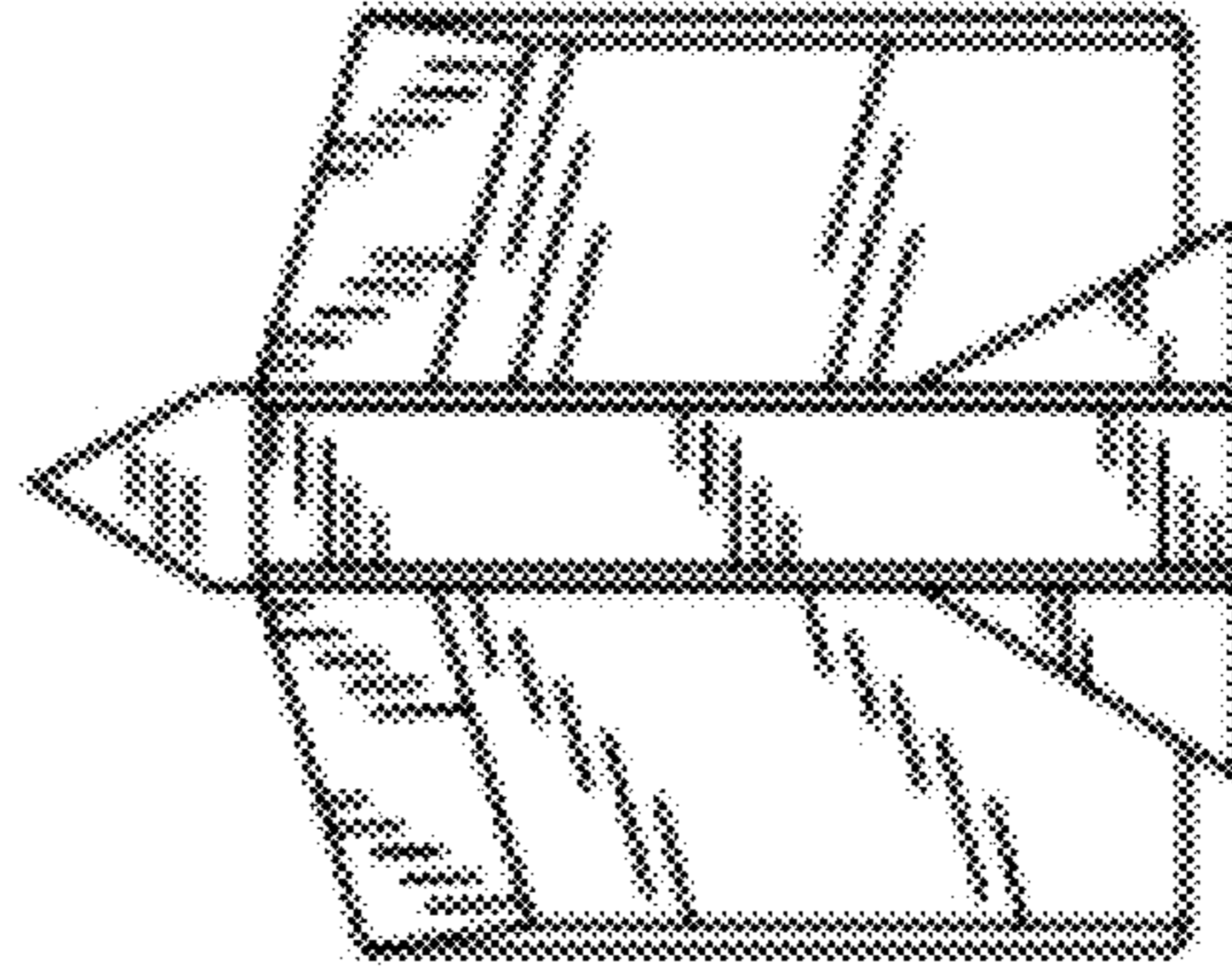


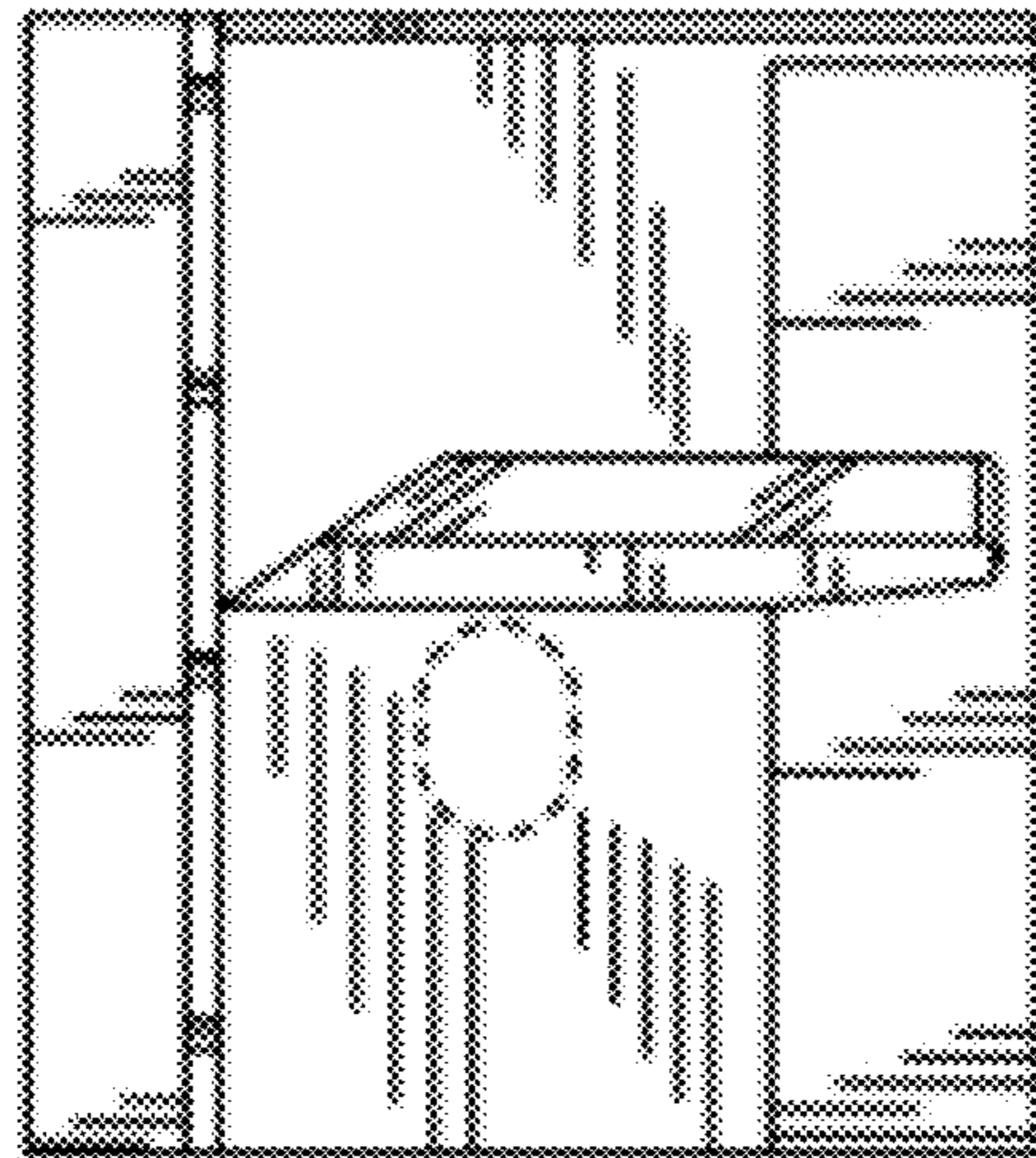
Fig. 4



**Fig. 5**



**Fig. 6**



**Fig. 7**

