



US00D676880S

(12) **United States Design Patent**
Crorey

(10) **Patent No.:** **US D676,880 S**

(45) **Date of Patent:** **** Feb. 26, 2013**

(54) **JEWELRY MAKER**

(74) *Attorney, Agent, or Firm* — Young Basile

(76) Inventor: **David J. Crorey**, Clinton Township, MI
(US)

(57) **CLAIM**
The ornamental design for a jewelry maker, as shown and described.

(**) Term: **14 Years**

DESCRIPTION

(21) Appl. No.: **29/419,558**

(22) Filed: **Apr. 30, 2012**

(51) **LOC (9) Cl.** **15-06**

(52) **U.S. Cl.** **D15/66**

(58) **Field of Classification Search** D15/66,
D15/78; D6/324, 327; 28/151, 152; 29/241,
29/433; D3/18, 21, 25

See application file for complete search history.

FIG. 1 is a perspective view of a jewelry maker showing my new design;
FIG. 2 is a top plan thereof;
FIG. 3 is a side view thereof;
FIG. 4 is an exploded perspective view of the jewelry maker showing individual components;
FIG. 5 is a top plan view of a top cover of the jewelry maker;
FIG. 6 is a top plan view of a first component of the jewelry maker;
FIG. 7 is a top plan view of a second component of the jewelry maker;
FIG. 8 is a top plan view of a center compartment of the jewelry maker;
FIG. 9 is a top plan view of an internal compartment of the jewelry maker; and,
FIG. 10 is a top plan view of a bottom compartment of the jewelry maker.

The broken lines shown in the drawing disclosure are for illustrative purposes only and form no part of the claimed design.

(56) **References Cited**

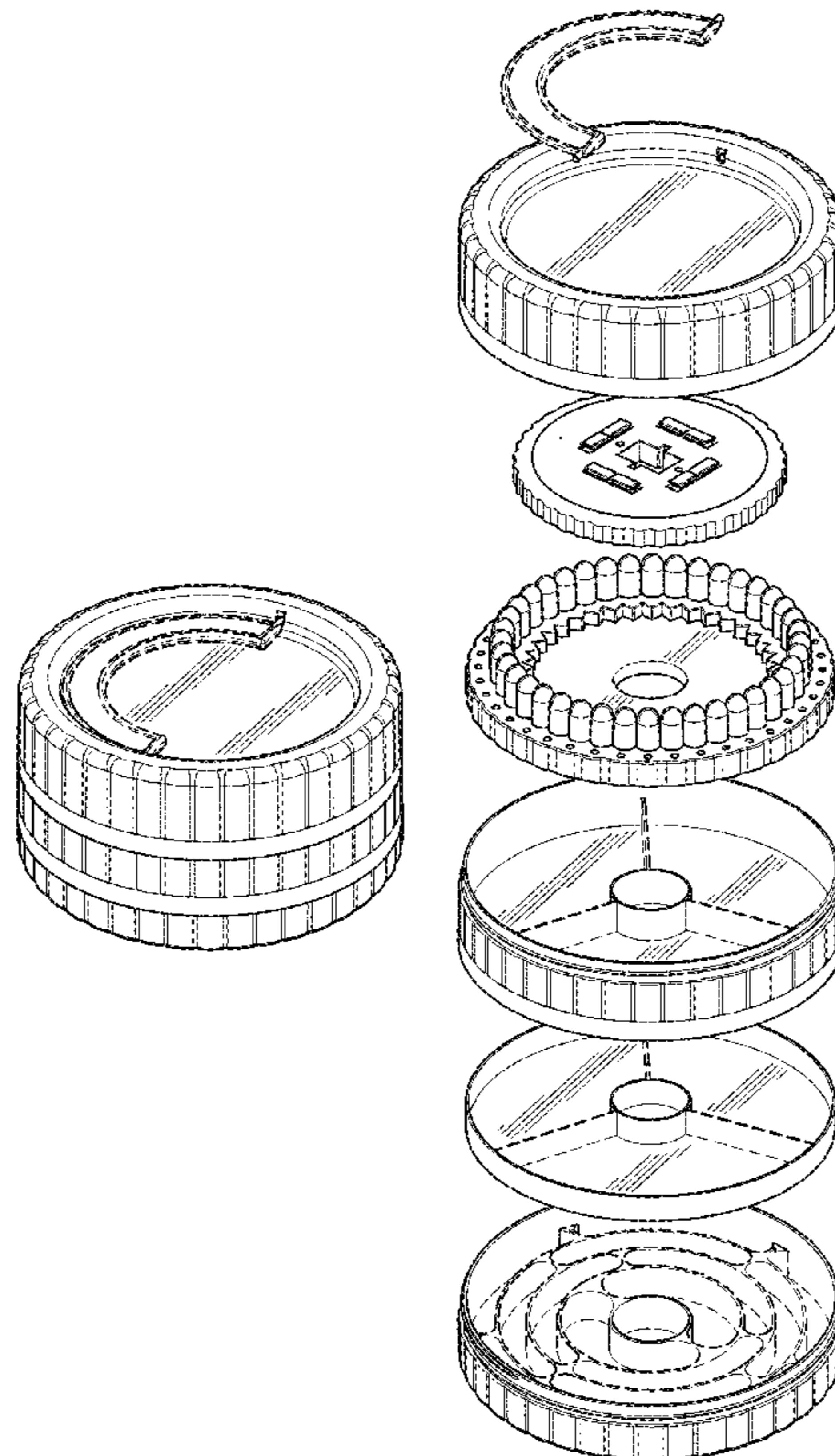
U.S. PATENT DOCUMENTS

3,650,010	A *	3/1972	Powell, Jr.	29/241
3,708,862	A *	1/1973	Powell, Jr.	29/433
D619,150	S *	7/2010	Crorey	D15/78
D626,574	S *	11/2010	Crorey	D15/78
D656,524	S *	3/2012	Karwicz	D15/78
D667,468	S *	9/2012	Crorey	D15/78

* cited by examiner

Primary Examiner — Mitchell Siegel

1 Claim, 2 Drawing Sheets



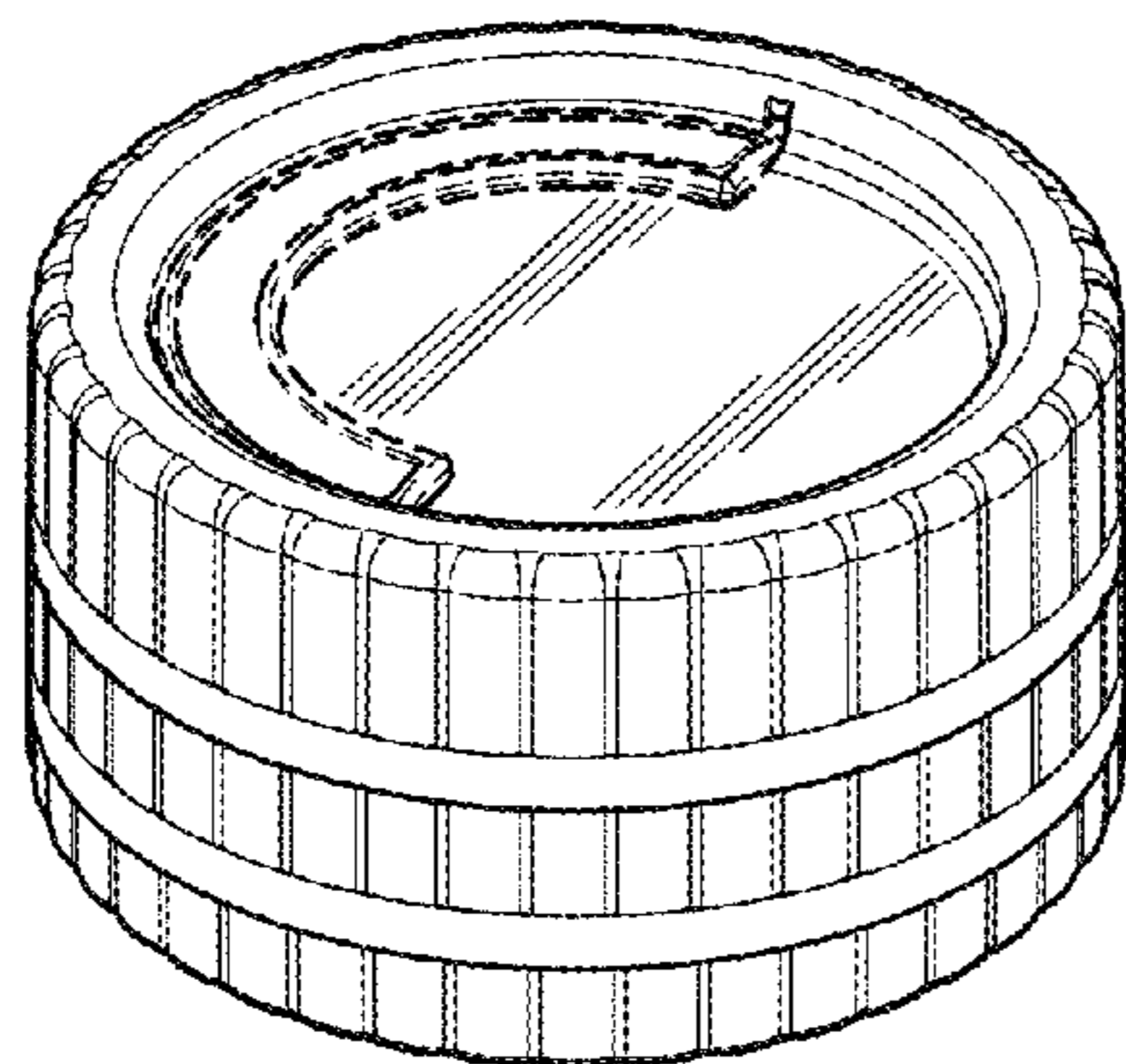


FIG. 1

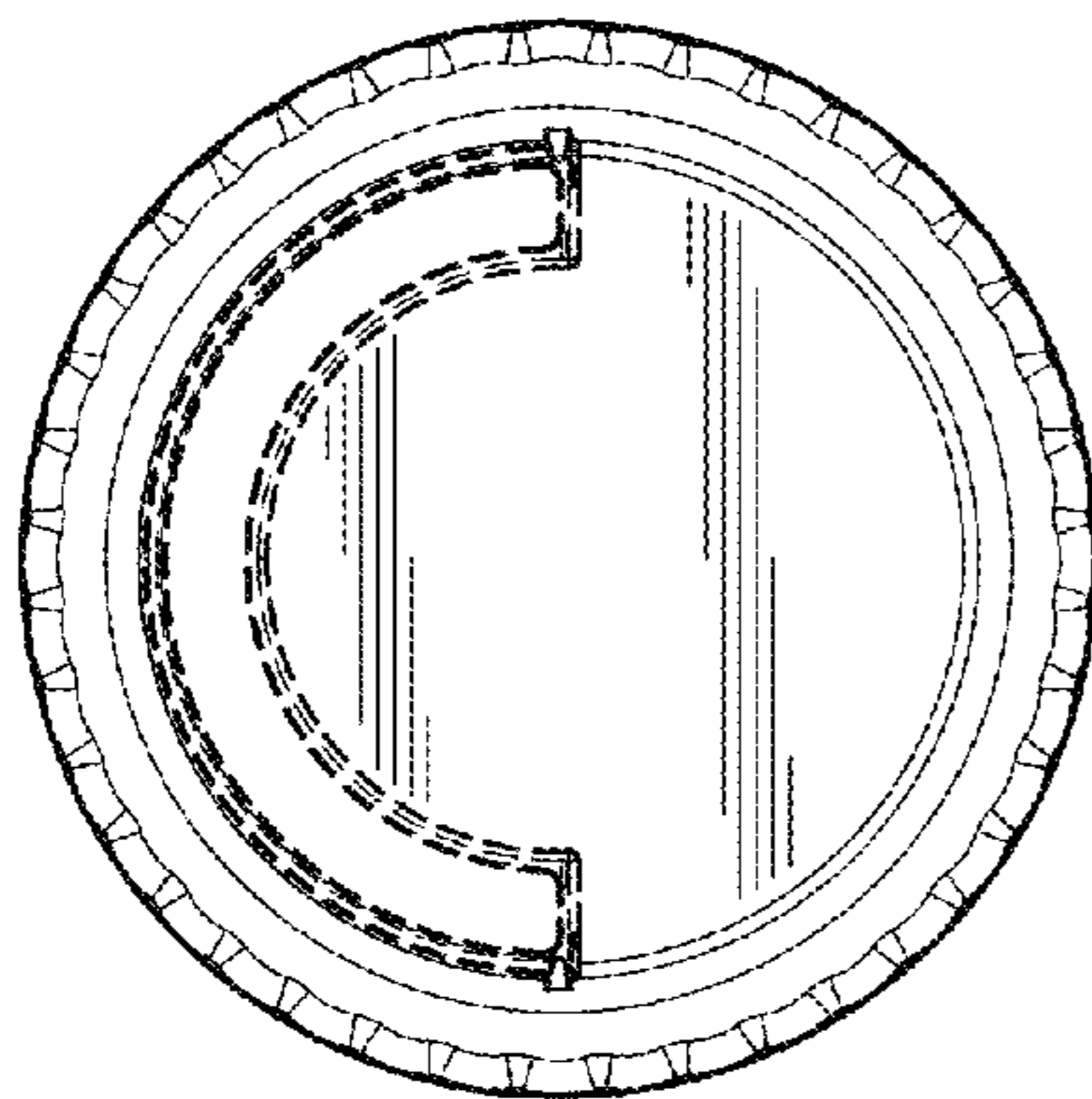


FIG. 2

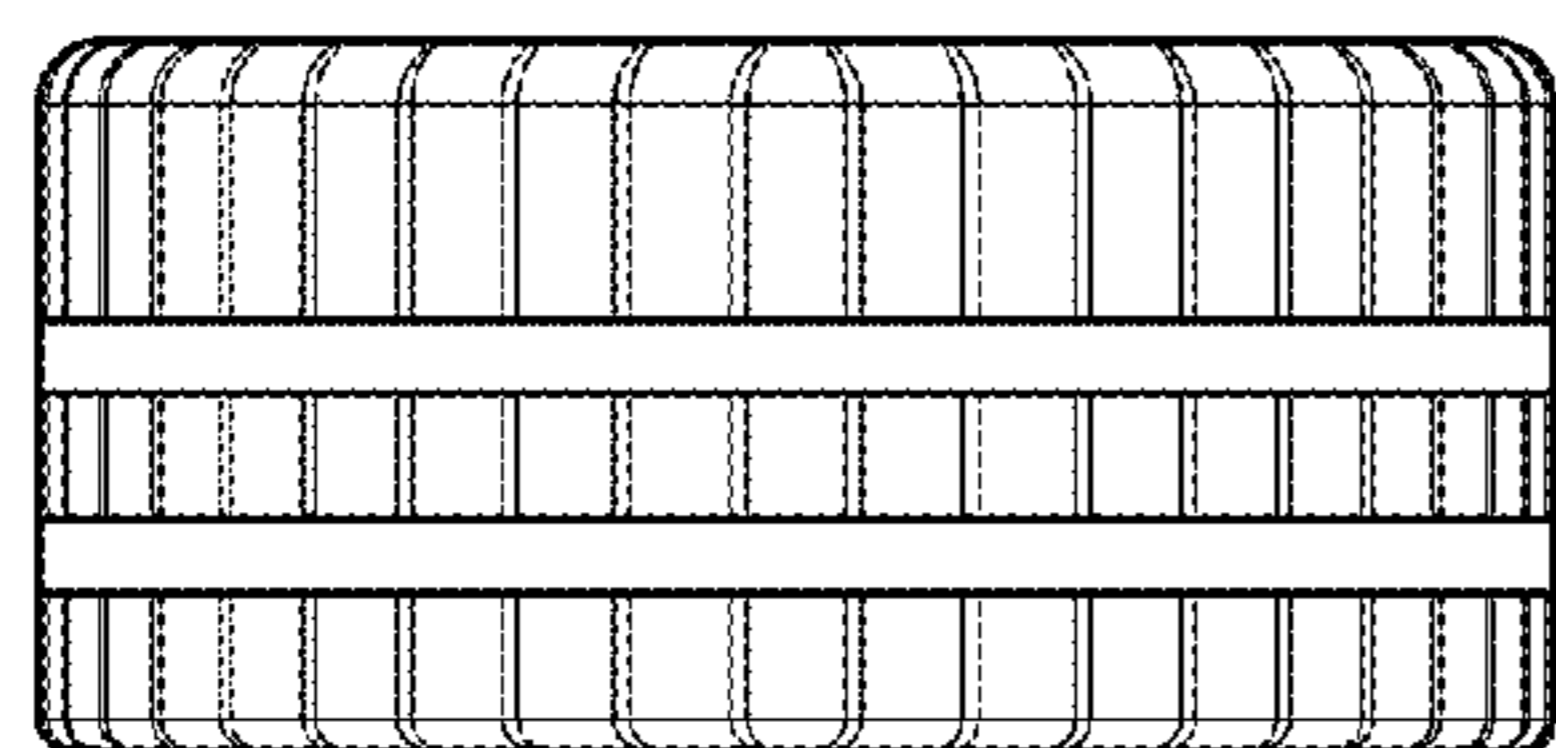


FIG. 3

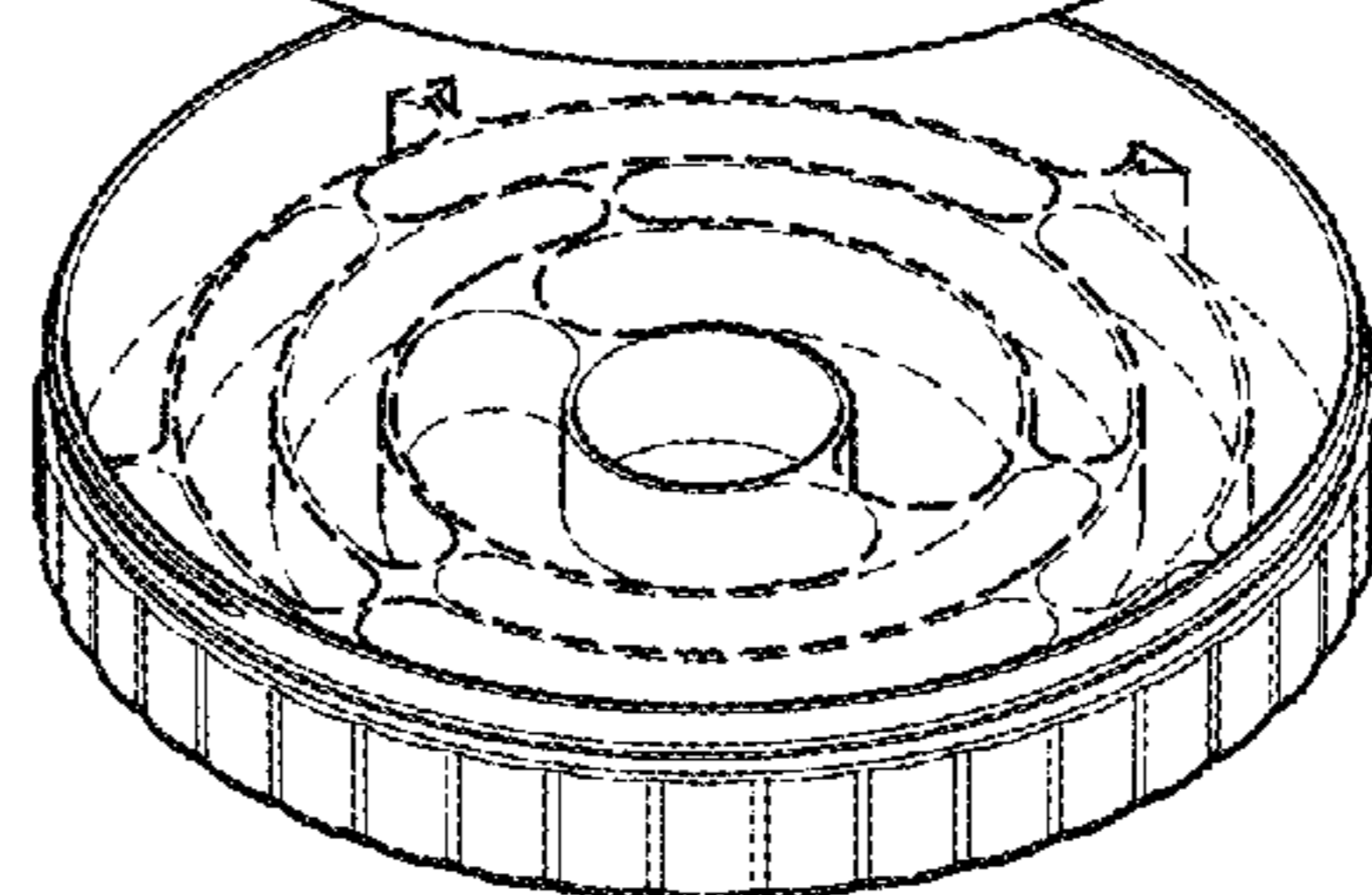
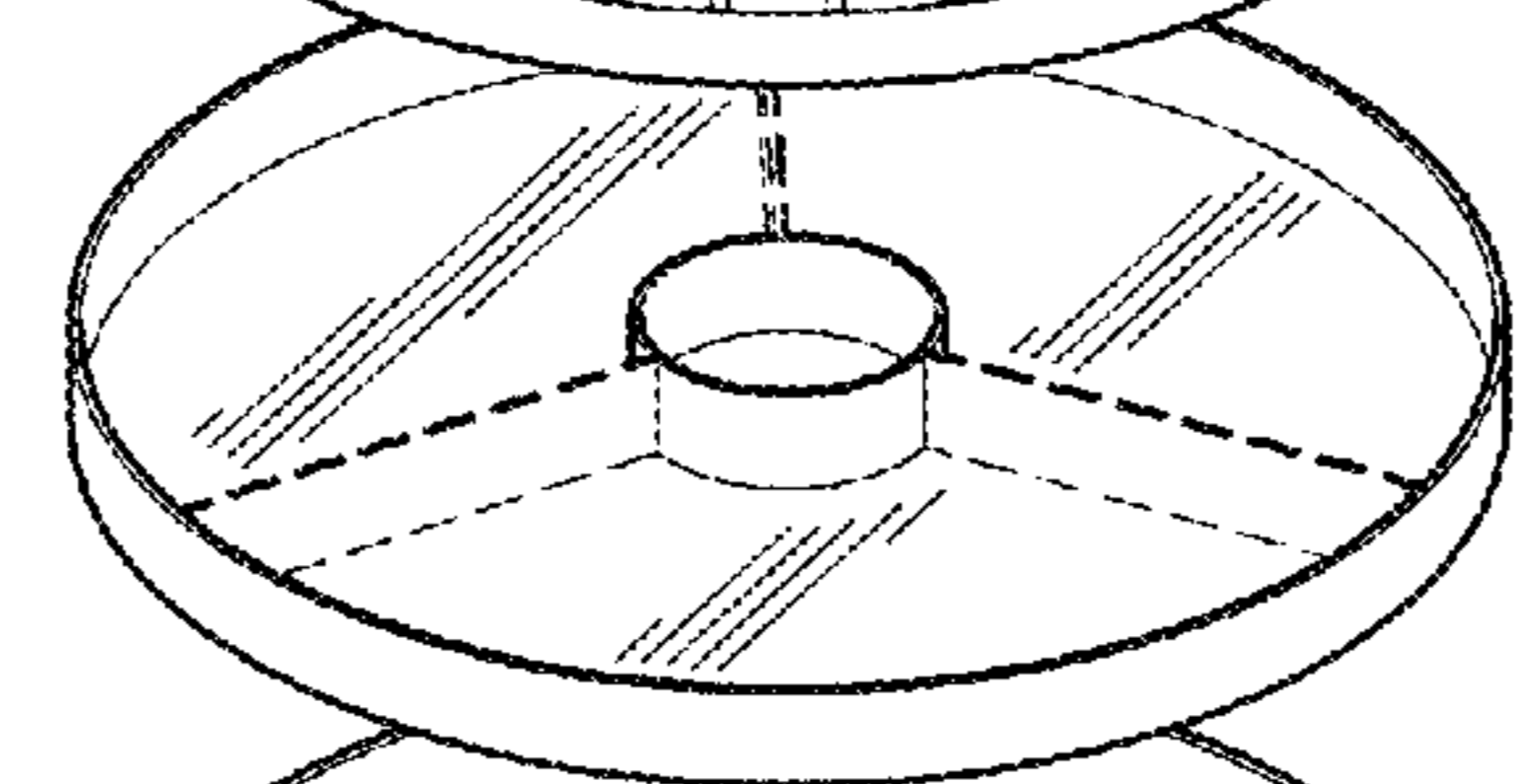
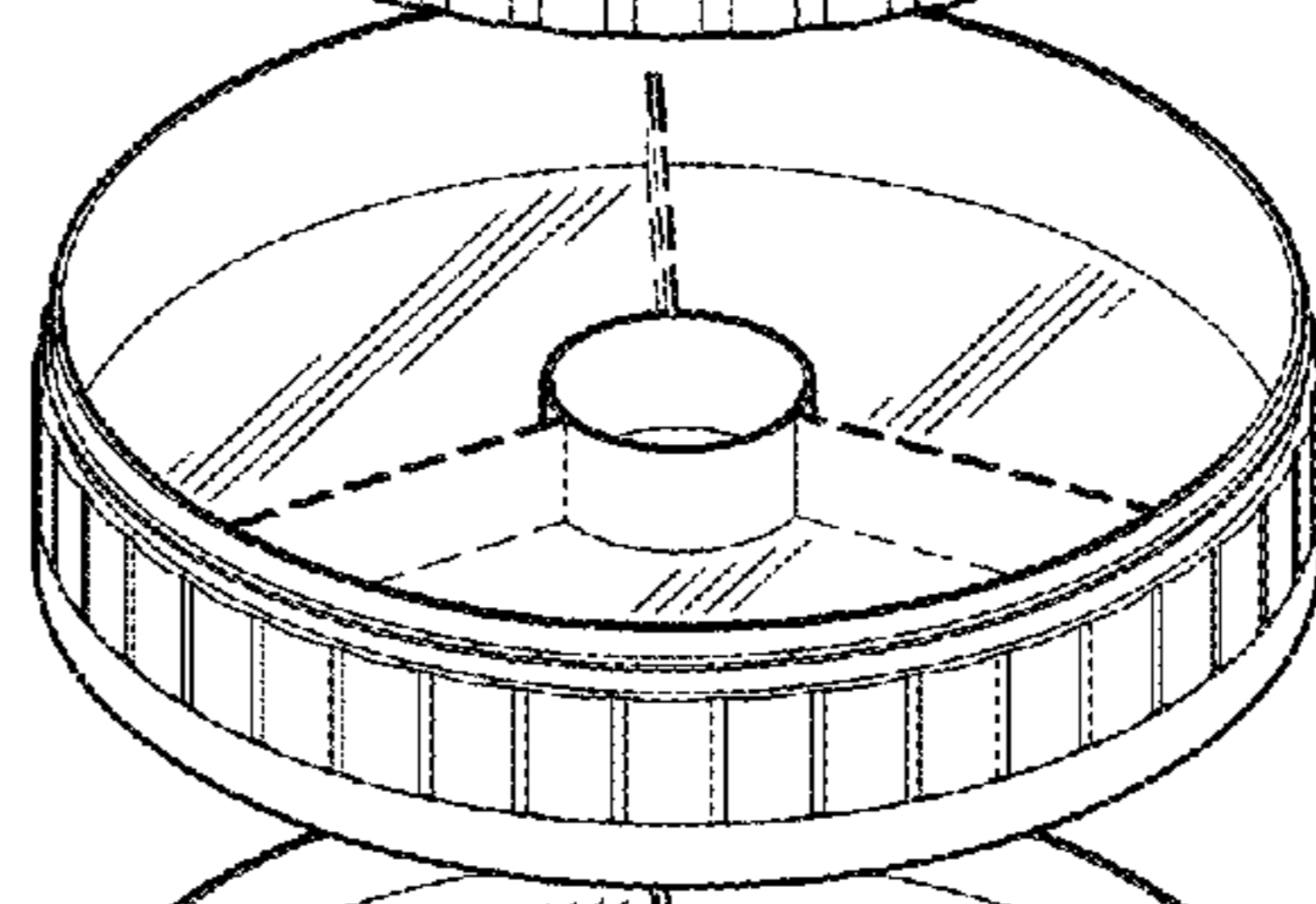
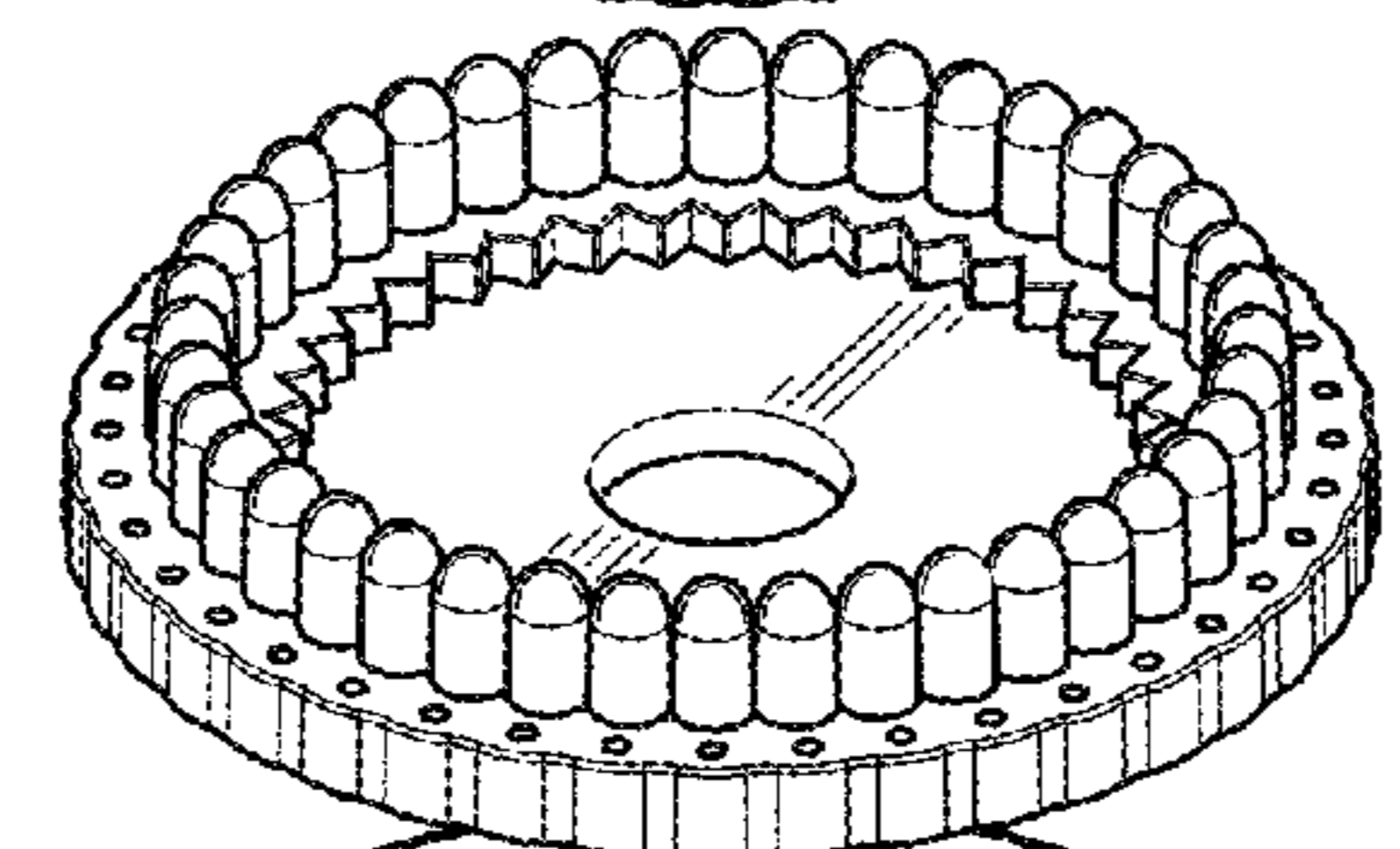
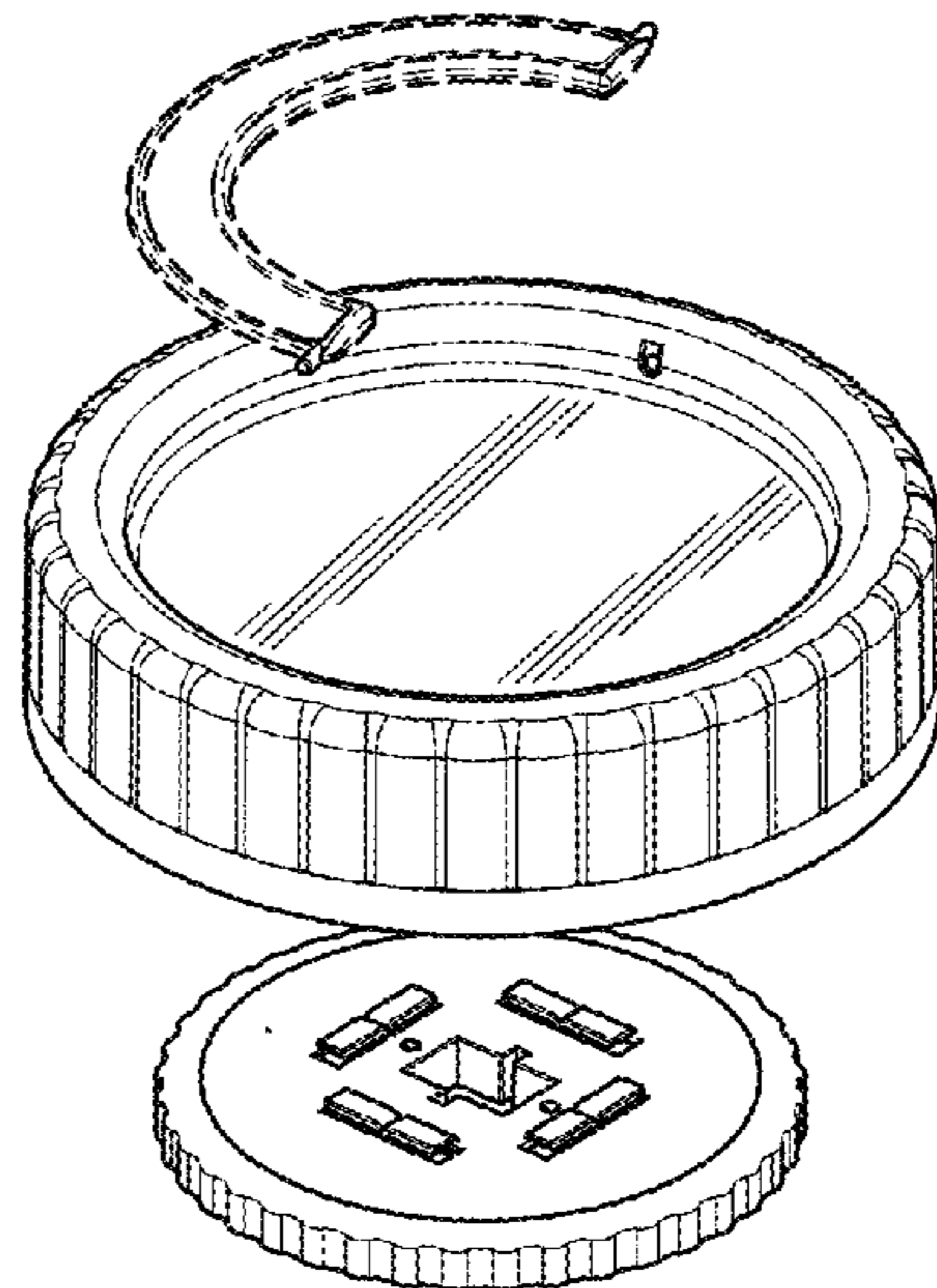


FIG. 4

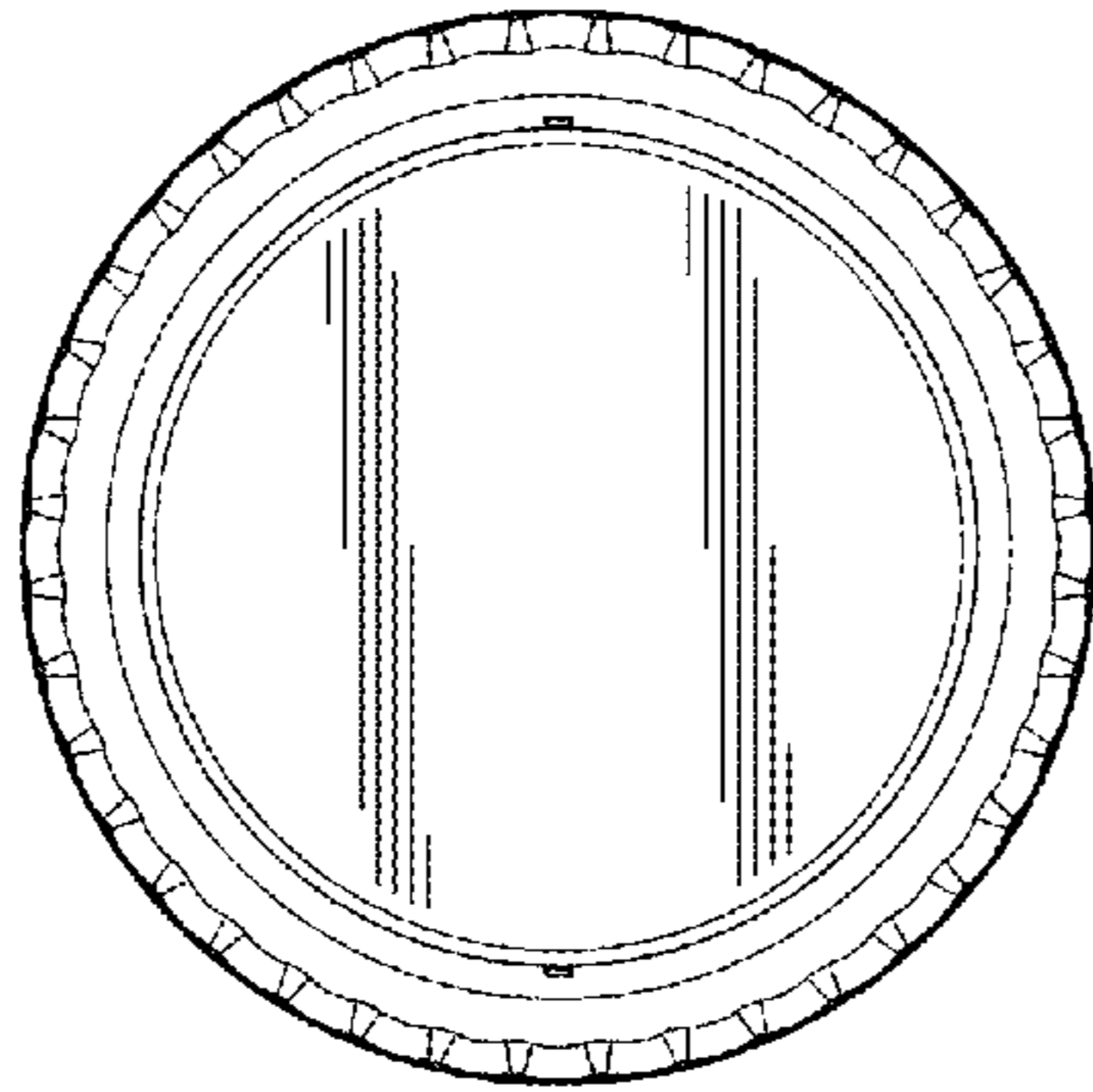


FIG. 5

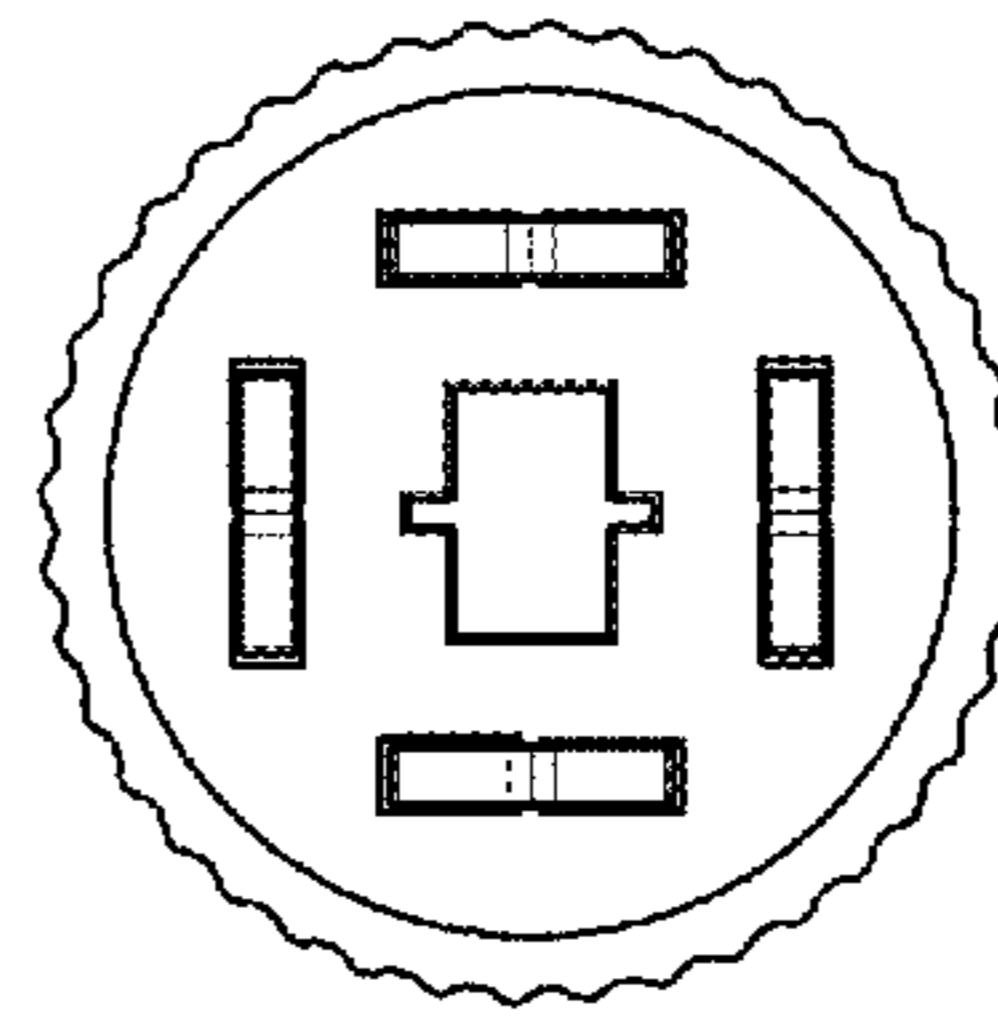


FIG. 6

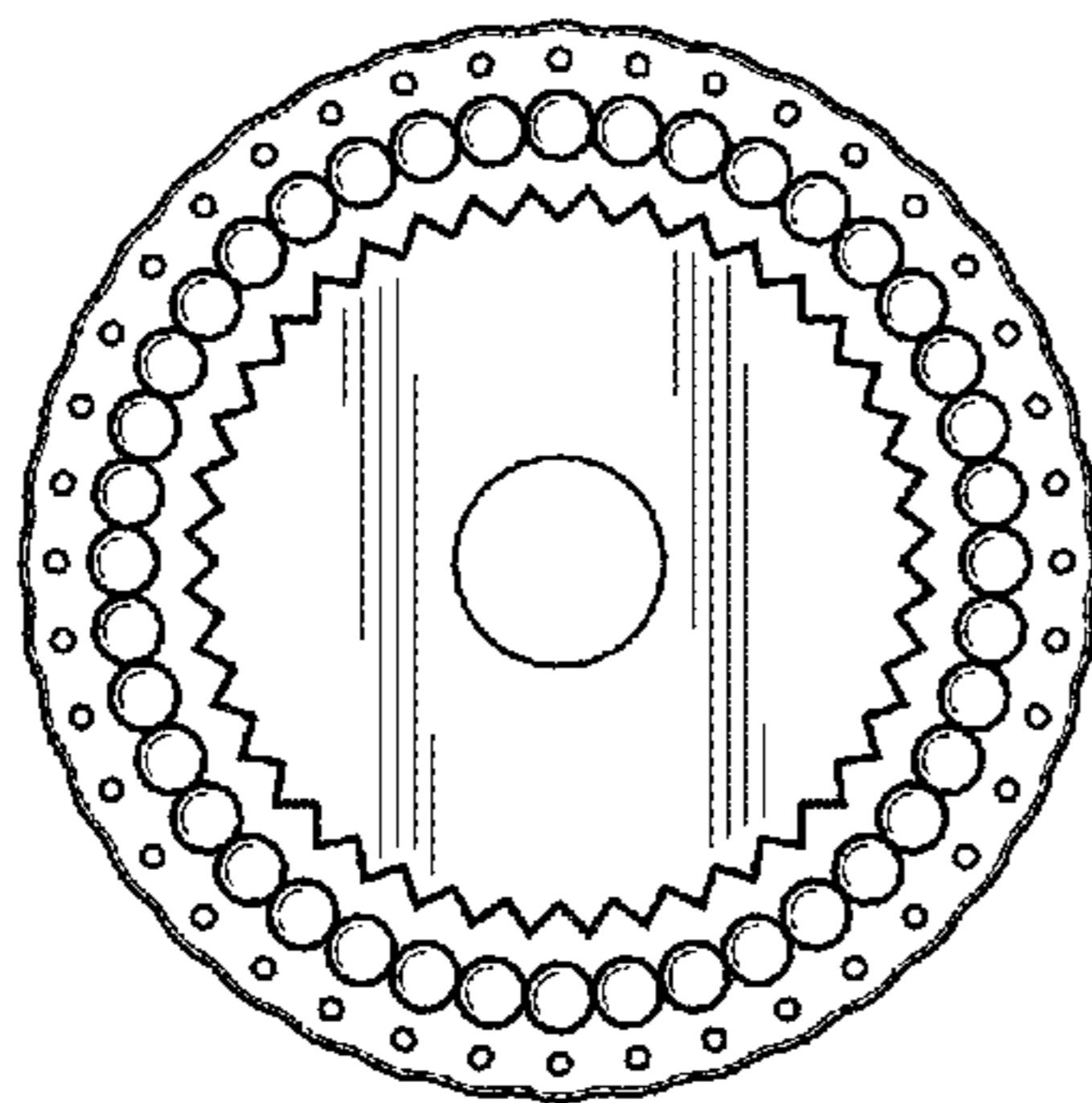


FIG. 7

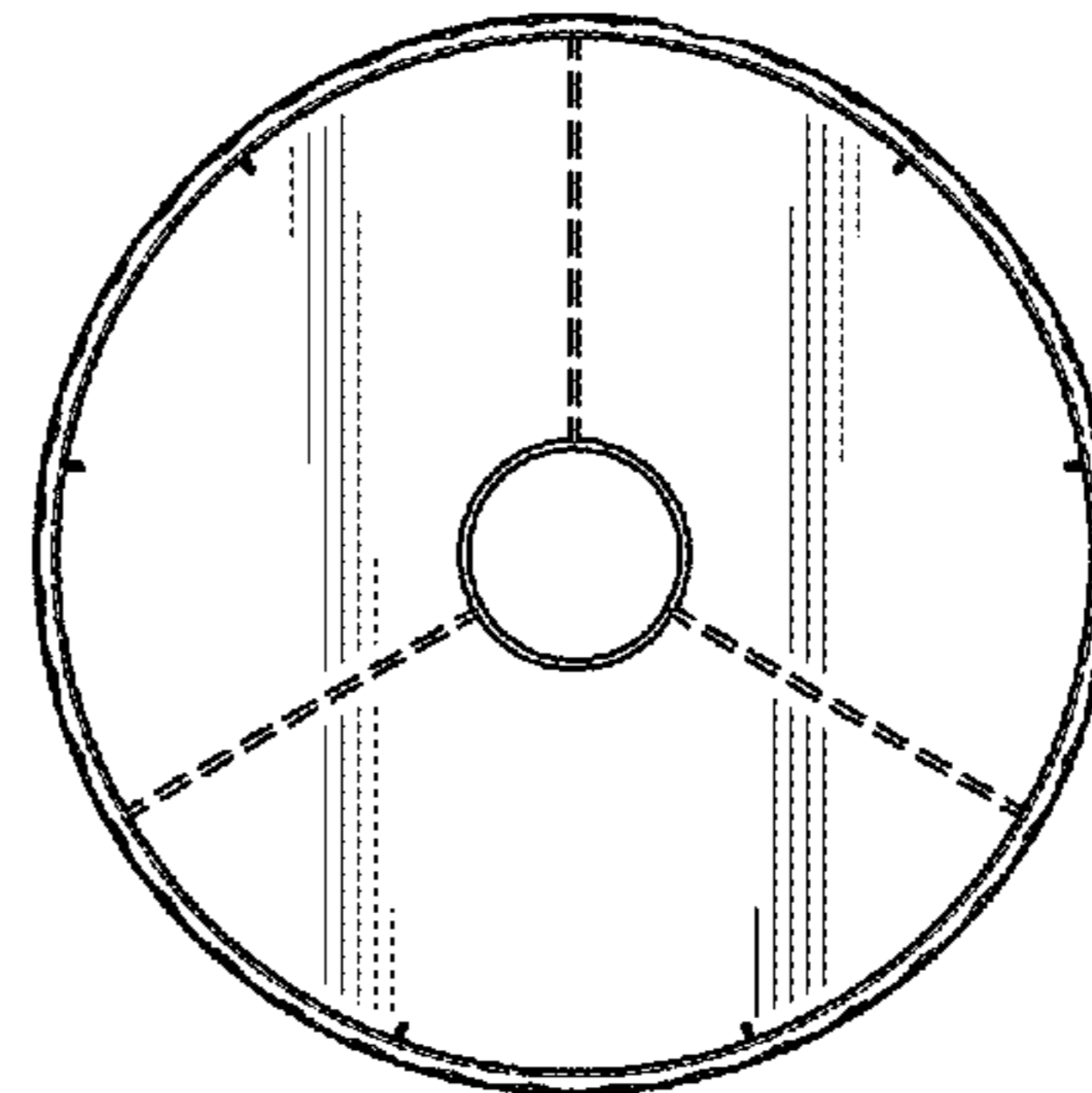


FIG. 8

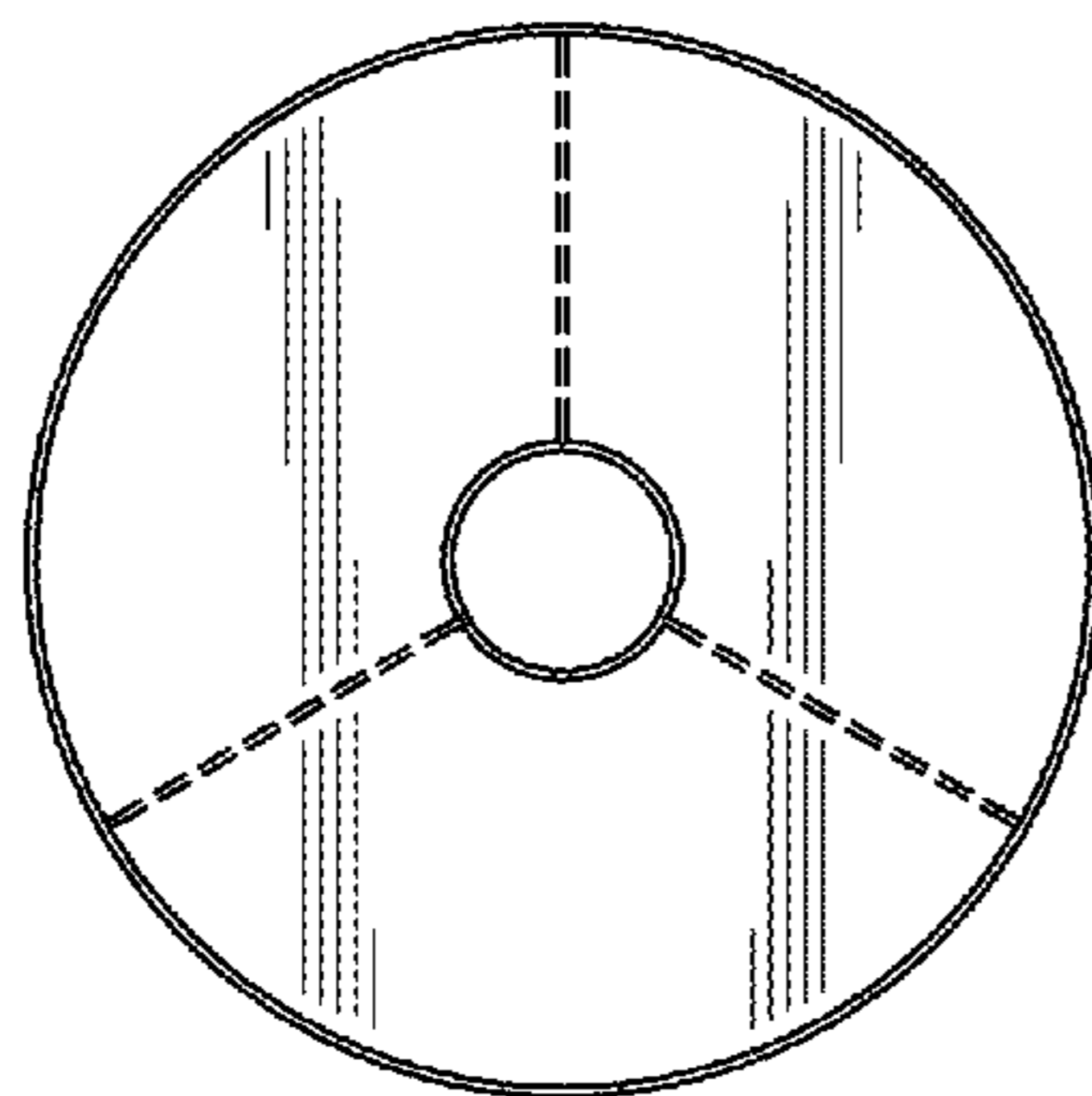


FIG. 9

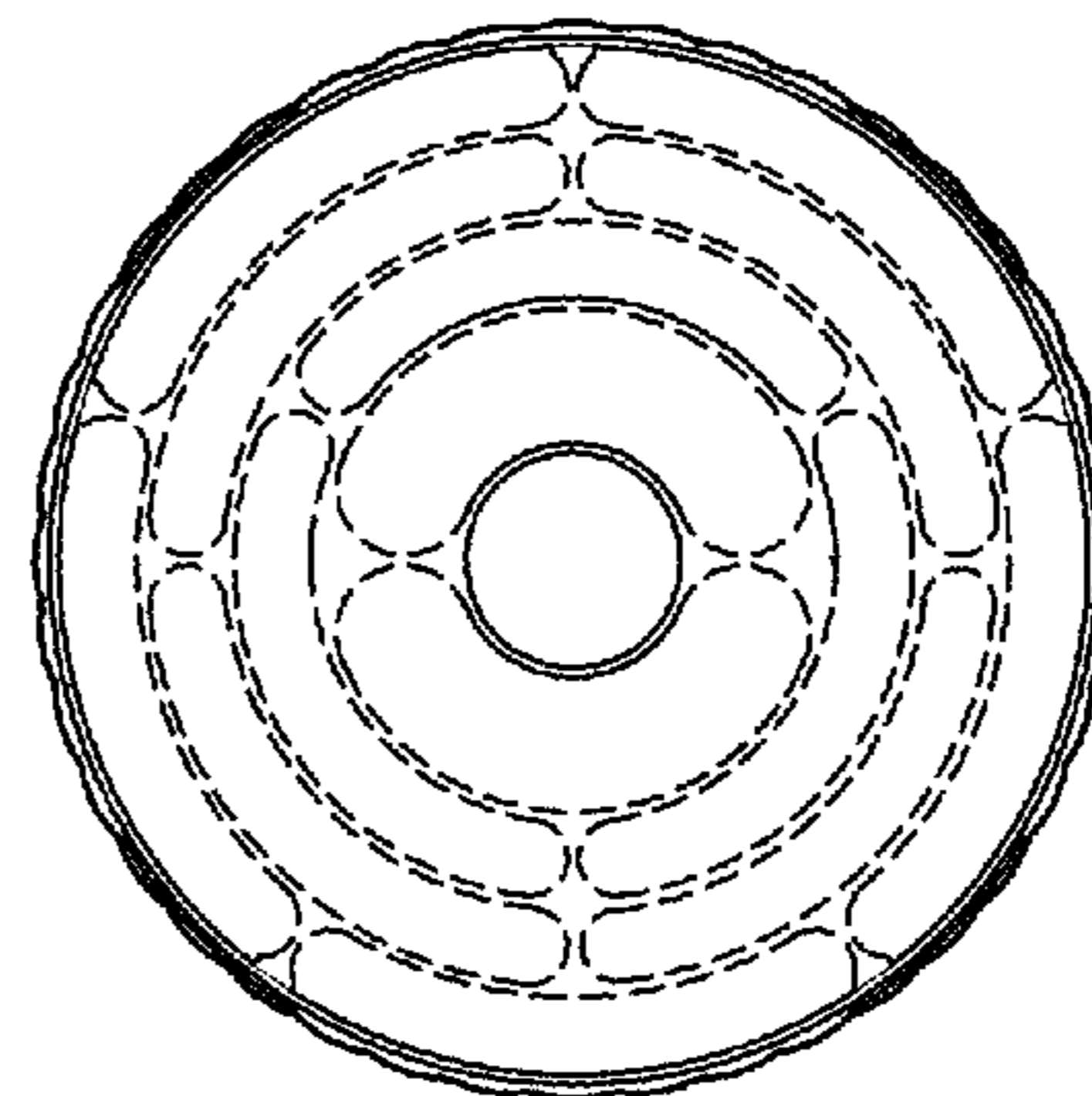


FIG. 10