



US00D676879S

(12) **United States Design Patent**
Hudgins

(10) **Patent No.:** **US D676,879 S**

(45) **Date of Patent:** **** Feb. 26, 2013**

(54) **LOOM**

(76) Inventor: **Julianna Hudgins**, Turnersville, NJ
(US)

(**) Term: **14 Years**

(21) Appl. No.: **29/395,717**

(22) Filed: **Mar. 17, 2012**

(51) **LOC (9) Cl.** **15-06**

(52) **U.S. Cl.** **D15/66**

(58) **Field of Classification Search** D15/66,
D15/78; 139/29-34, 1 R; 28/151; 289/2
See application file for complete search history.

(56) **References Cited**

U.S. PATENT DOCUMENTS

1,995,384	A *	3/1935	Fletcher	28/151
2,043,082	A *	6/1936	Wallach	28/151
3,428,094	A *	2/1969	Kaufmann	D15/78
D222,149	S *	10/1971	Early	D15/66
D234,327	S *	2/1975	Rodwell	D15/66
D237,910	S *	12/1975	Brubaker et al.	D15/66
D257,257	S *	10/1980	McArthur	D15/66
D279,011	S *	5/1985	Riehm	D15/66
6,719,013	B1 *	4/2004	D'Estais	139/29
7,147,008	B2 *	12/2006	Sayler	139/29
D563,997	S *	3/2008	Gustin	D15/78
7,677,273	B2 *	3/2010	Skaflestad	139/29
D619,150	S *	7/2010	Crorey	D15/78

7,762,284	B2 *	7/2010	Ricks	139/29
D626,574	S *	11/2010	Crorey	D15/78
7,946,631	B2 *	5/2011	Crorey	289/2
D656,524	S *	3/2012	Karwowicz	D15/78
D667,468	S *	9/2012	Crorey	D15/78
2004/0069363	A1 *	4/2004	D'Estais	139/1 R

OTHER PUBLICATIONS

Three Photographs of Aleene's Bead-It Beading Loom Sold in the United States Approximately 10 Years Ago.

* cited by examiner

Primary Examiner — Mitchell Siegel

(74) *Attorney, Agent, or Firm* — Norman E. Lehrer

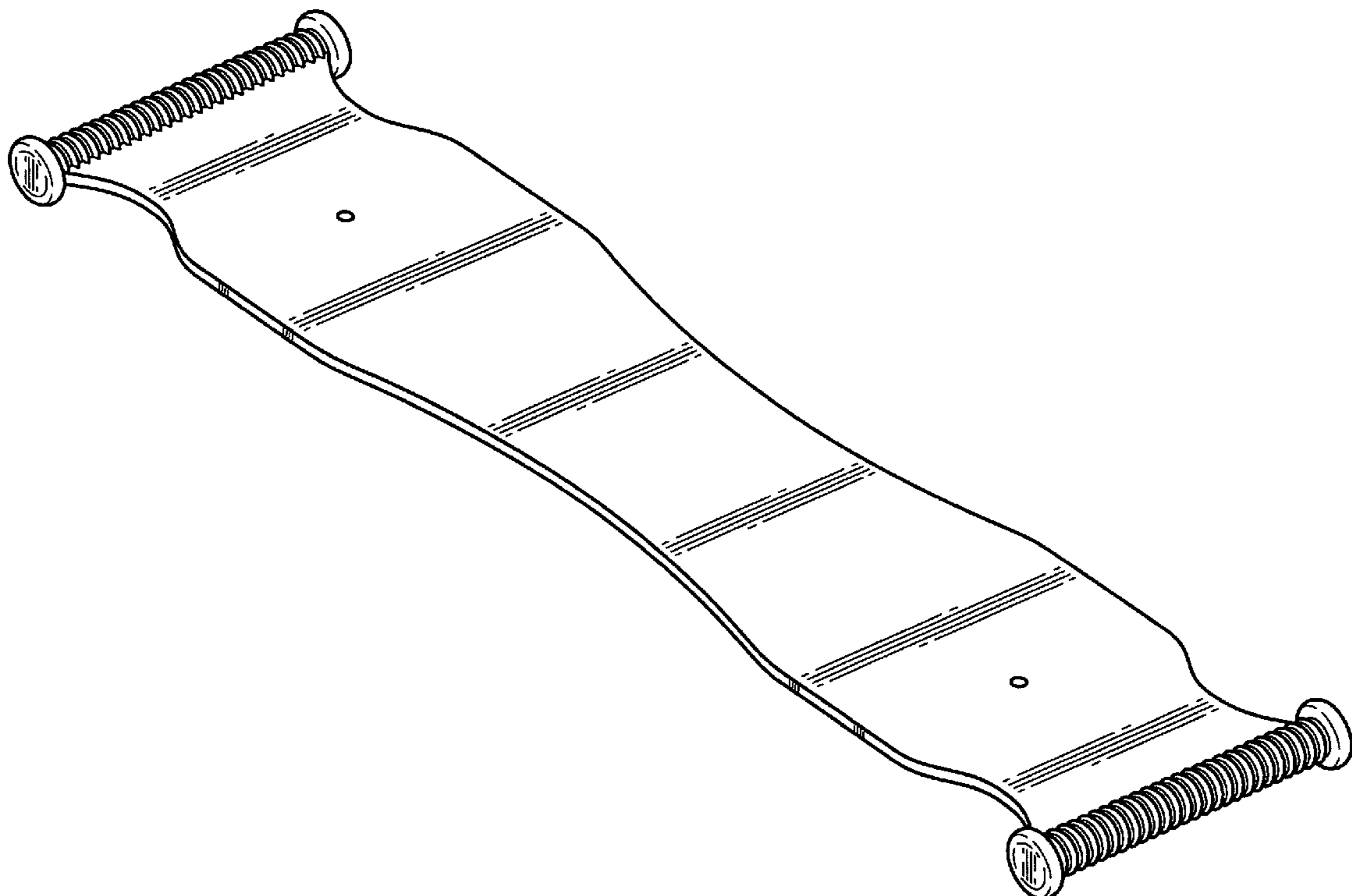
(57) **CLAIM**

The ornamental design for a "loom," as shown and described.

DESCRIPTION

FIG. 1 is a top perspective view of a loom showing my new design;
FIG. 2 is a bottom perspective view thereof;
FIG. 3 is a top plan view thereof;
FIG. 4 is a bottom plan view thereof;
FIG. 5 is a right side elevational view, the left side being a mirror image thereof; and,
FIG. 6 is an end elevational view thereof.

1 Claim, 4 Drawing Sheets



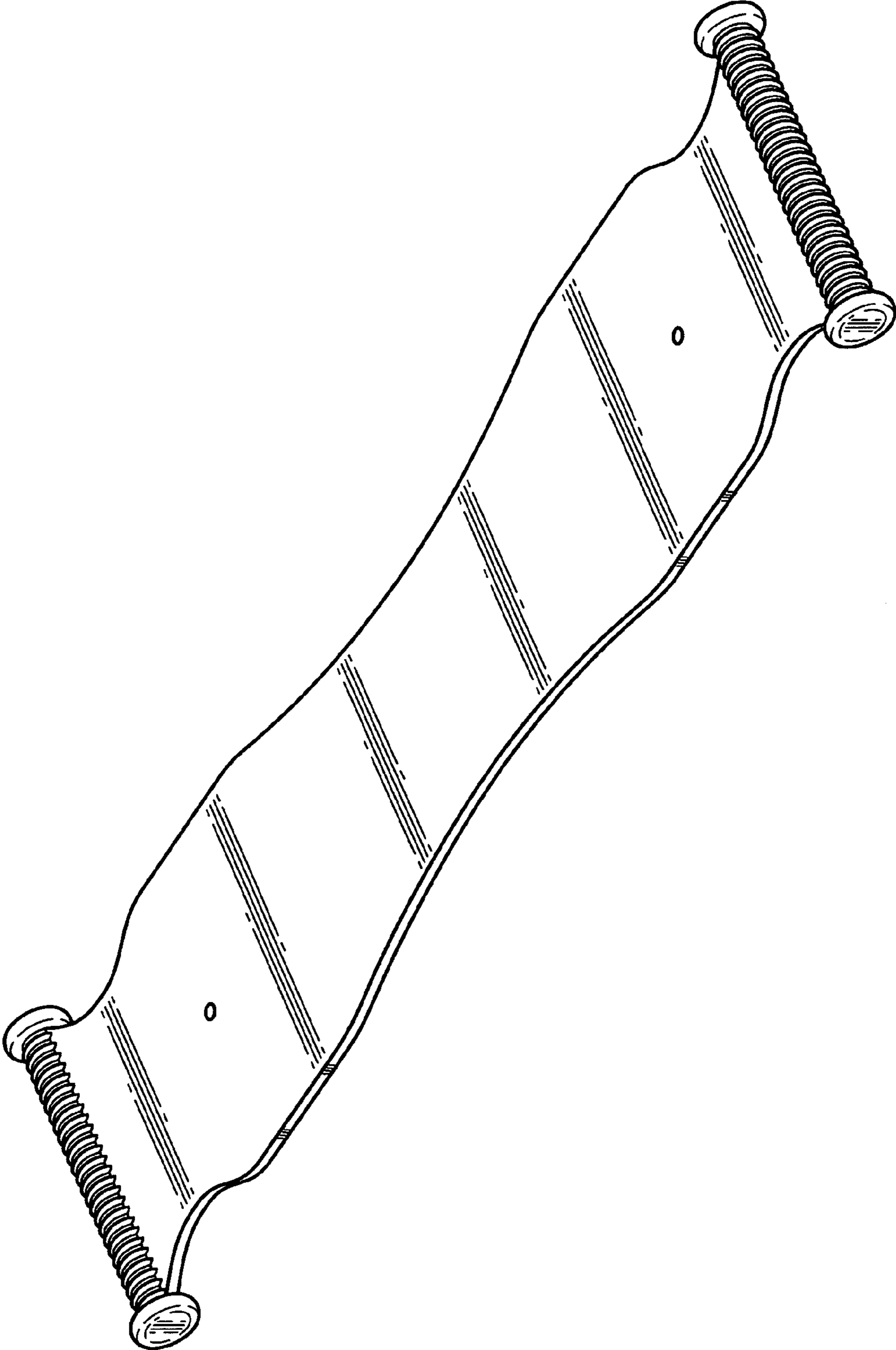


FIG. 1

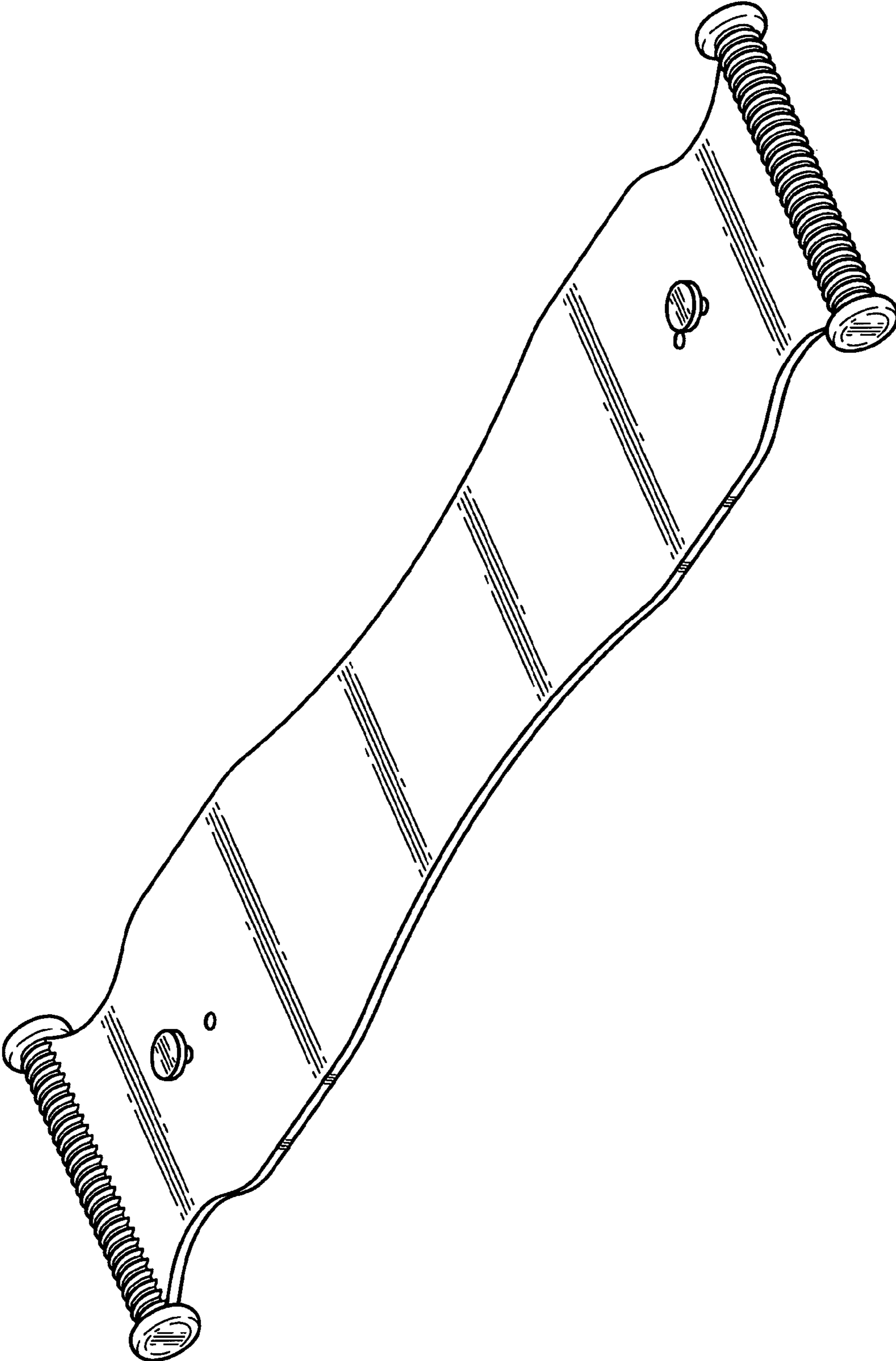


FIG. 2

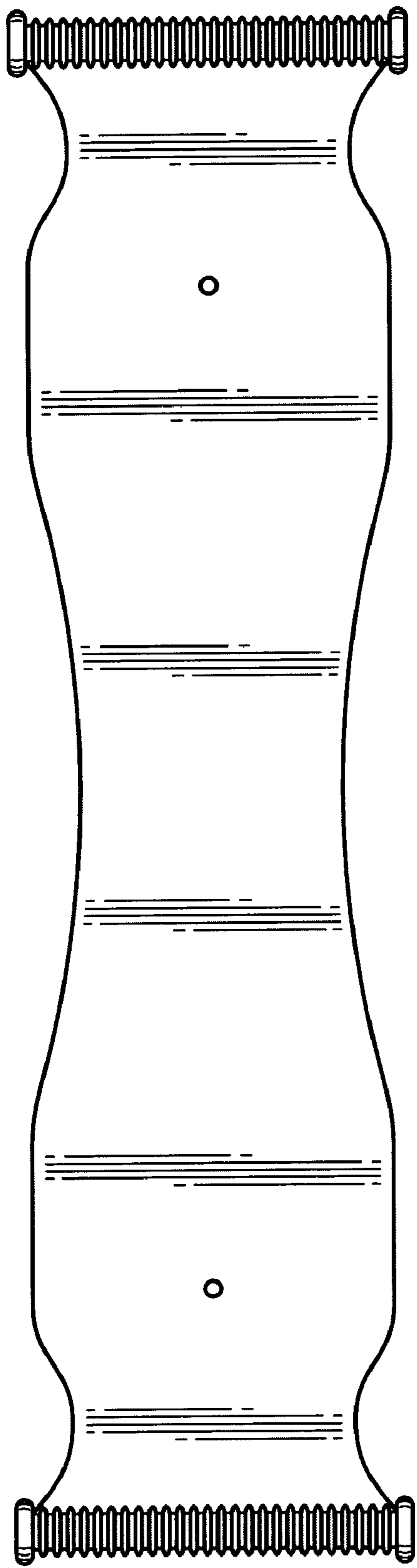


FIG. 3

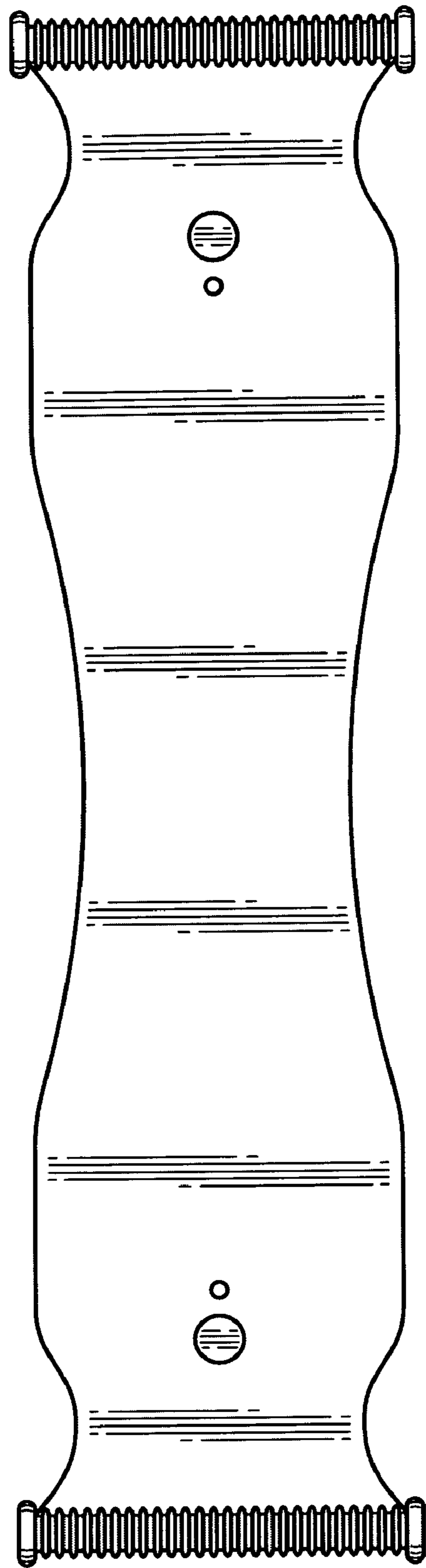


FIG. 4

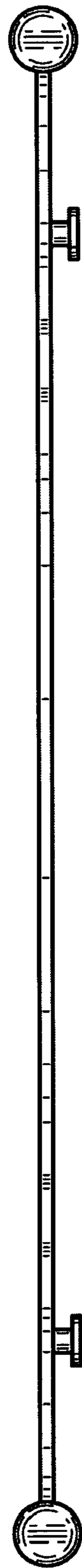


FIG. 5



FIG. 6