



US00D676878S

(12) **United States Design Patent**
Frachiseur

(10) **Patent No.:** **US D676,878 S**

(45) **Date of Patent:** **** Feb. 26, 2013**

(54) **PORTABLE DISC**

(75) Inventor: **Thomas K. Frachiseur**, Milledgeville,
GA (US)

(73) Assignee: **Bad Boy, Inc.**, Batesville, AR (US)

(**) Term: **14 Years**

(21) Appl. No.: **29/426,718**

(22) Filed: **Jul. 10, 2012**

(51) **LOC (9) Cl.** **15-03**

(52) **U.S. Cl.** **D15/27**

(58) **Field of Classification Search** D15/11,
D15/12, 27, 28, 23; 37/244; 172/583, 567,
172/5, 24, 588, 59, 9, 600, 817, 584, 527,
172/579, 540, 553, 599, 604, 669, 670, 671,
172/676

See application file for complete search history.

(56) **References Cited**

U.S. PATENT DOCUMENTS

1,405,086	A *	1/1922	Altgelt	172/158
D134,346	S *	11/1942	Rude	D15/27
2,469,605	A *	5/1949	McKay	172/320
D165,046	S *	11/1951	Bailey	D15/27
2,596,579	A *	5/1952	McKay	172/440
2,798,419	A *	7/1957	Moriceau	172/572
2,846,787	A *	8/1958	Knowles	37/368

D188,500	S *	8/1960	Swanson	D15/27
D281,693	S *	12/1985	Doering	D15/27
D313,603	S *	1/1991	Burenga	D15/11
5,361,848	A *	11/1994	Fleischer et al.	172/140
5,746,175	A *	5/1998	Hu	123/322
5,746,275	A *	5/1998	Cross et al.	172/440
6,098,722	A *	8/2000	Richard	172/763
D437,326	S *	2/2001	Koberlein et al.	D15/11

* cited by examiner

Primary Examiner — Mark Goodwin

(74) *Attorney, Agent, or Firm* — Keisling & Pieper PLC;
Trent C. Keisling

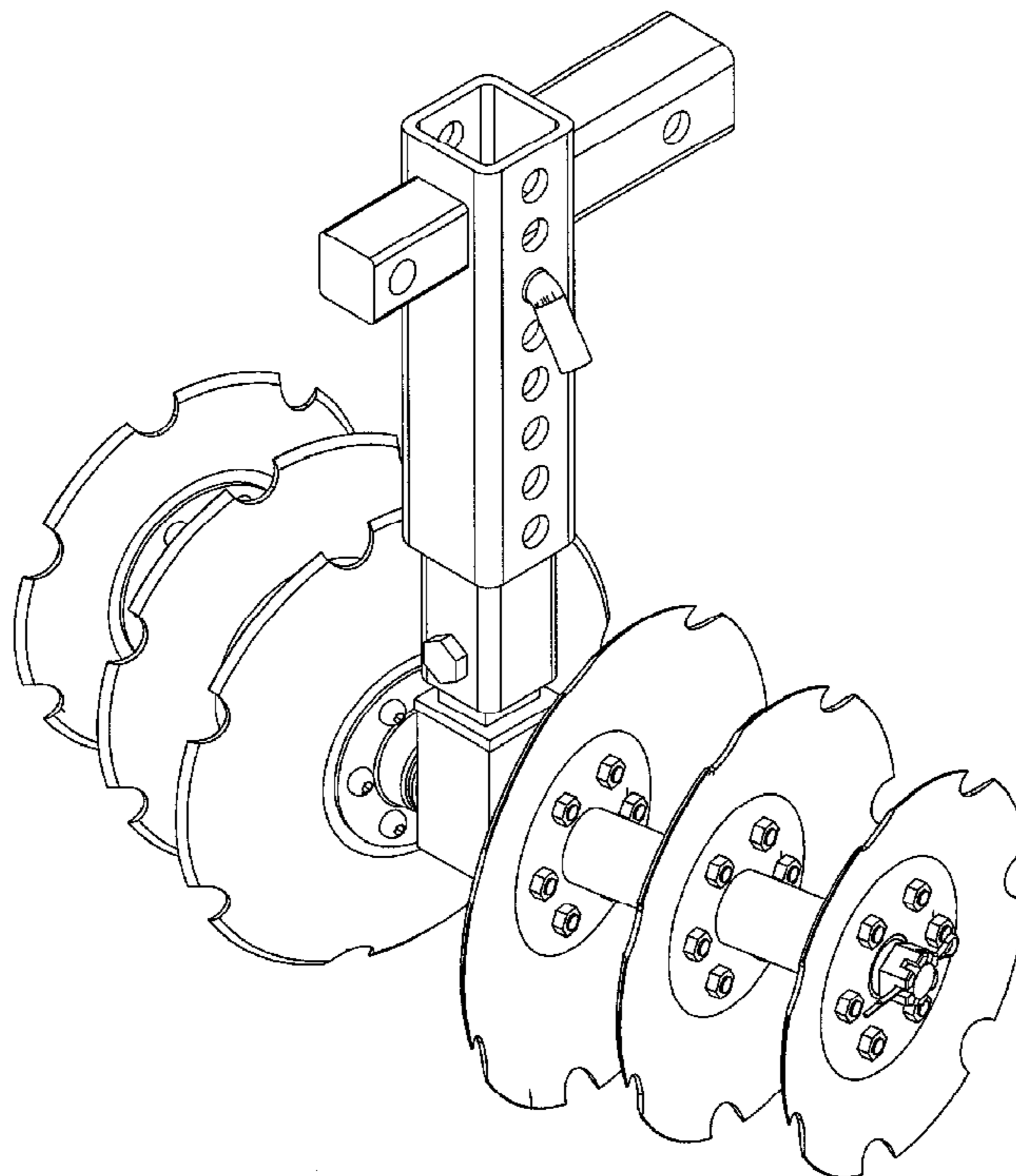
(57) **CLAIM**

The ornamental design for a portable disc, as shown and described.

DESCRIPTION

FIG. 1 is a top front perspective view of a portable disc showing my new design;
 FIG. 2 is a top rear perspective view thereof;
 FIG. 3 is a bottom rear perspective view thereof;
 FIG. 4 is a bottom front perspective view thereof;
 FIG. 5 is a left side elevational view thereof, the opposite side being a mirror image thereof;
 FIG. 6 is a rear elevational view thereof;
 FIG. 7 is a front elevational view thereof;
 FIG. 8 is a top plan view thereof; and,
 FIG. 9 is a bottom plan view thereof.

1 Claim, 8 Drawing Sheets



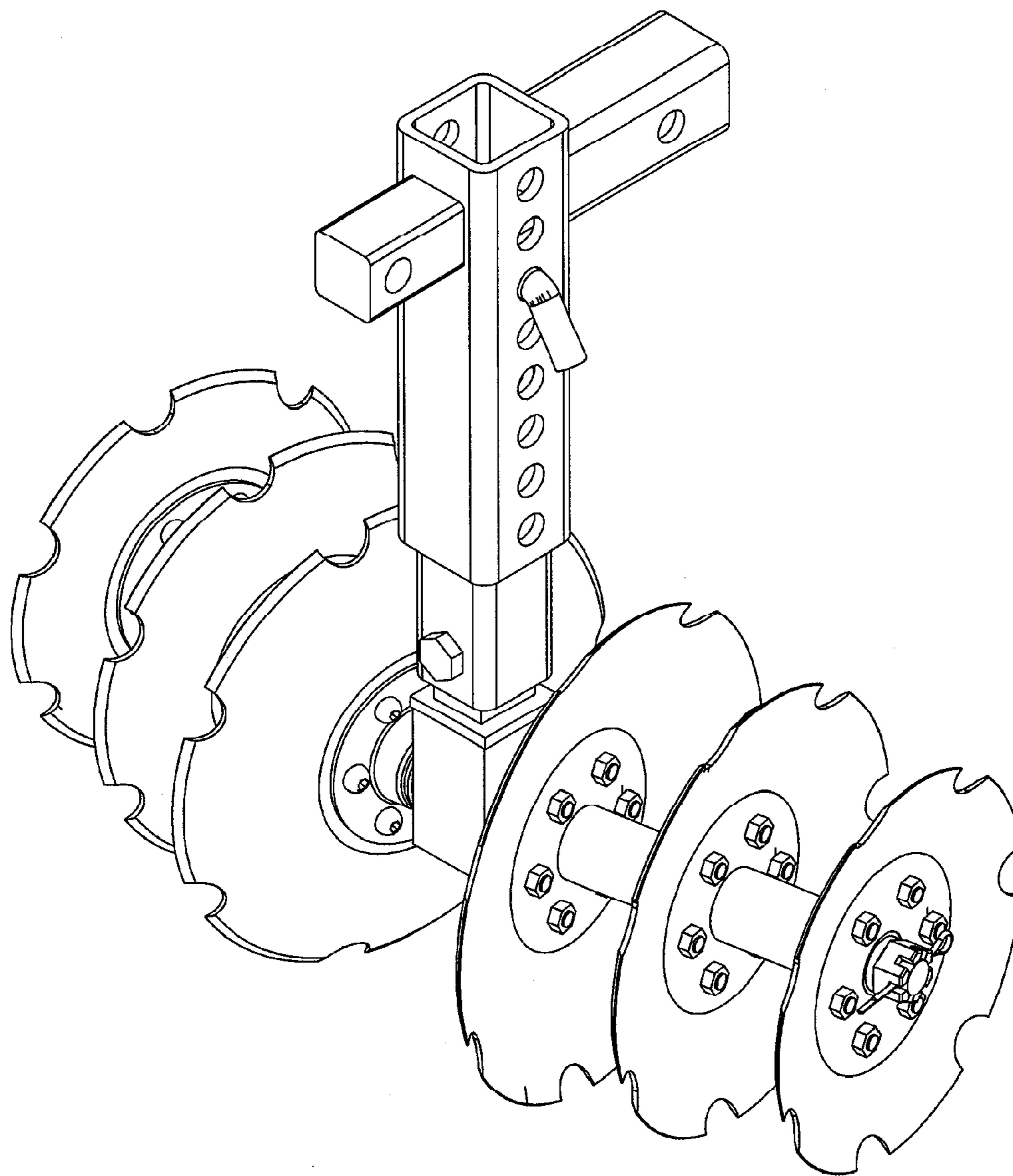


FIG. 1

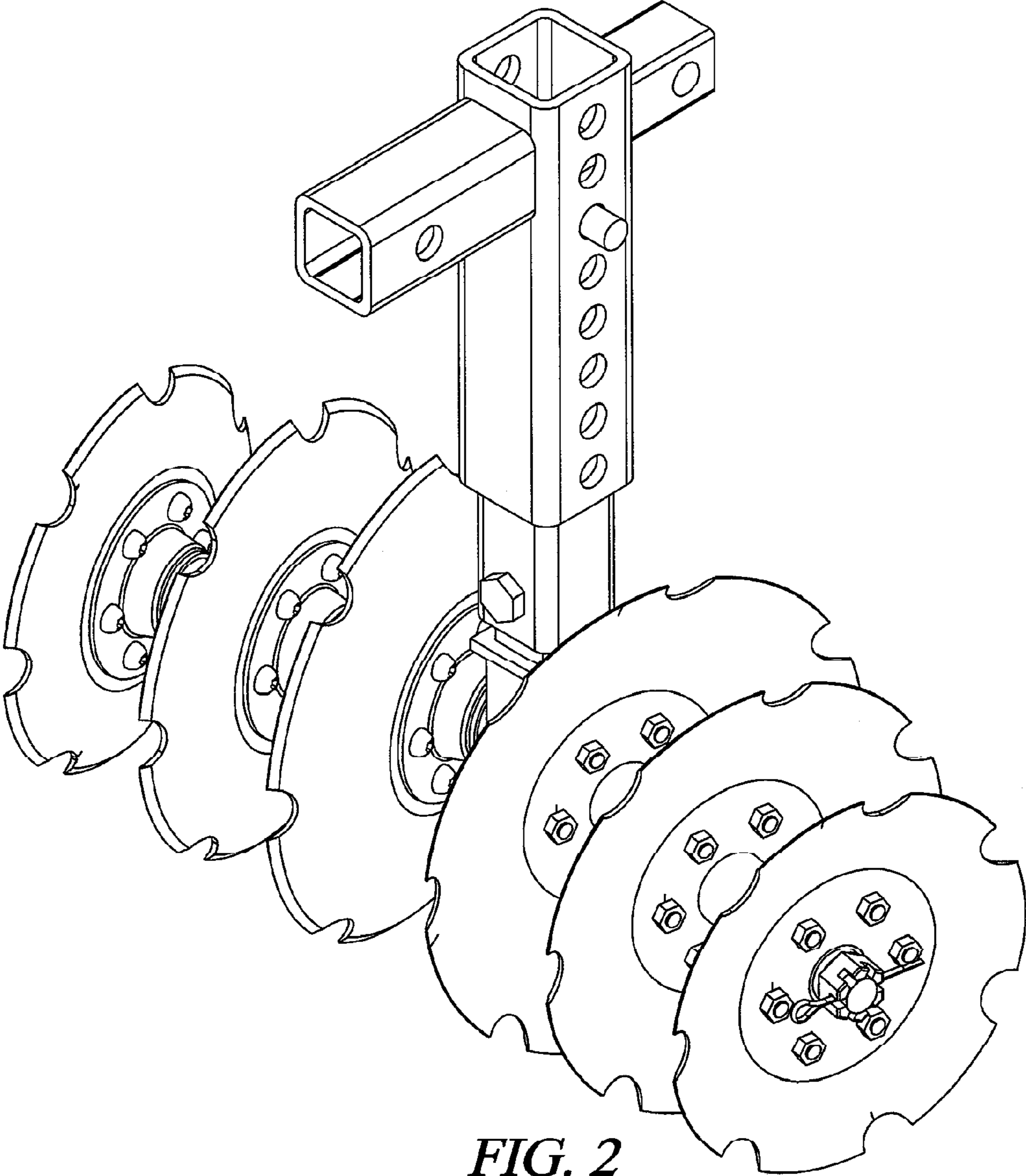


FIG. 2

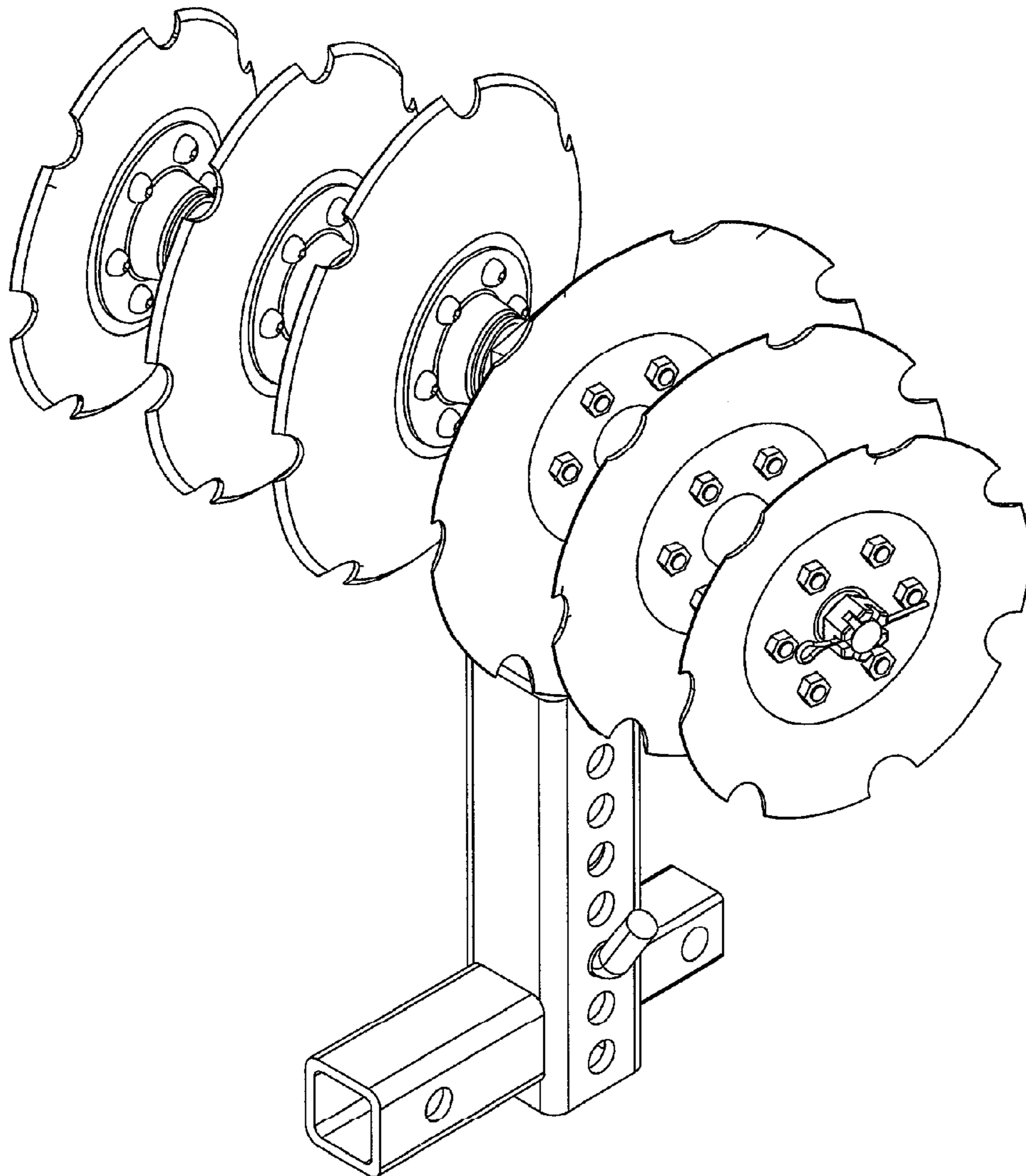


FIG. 3

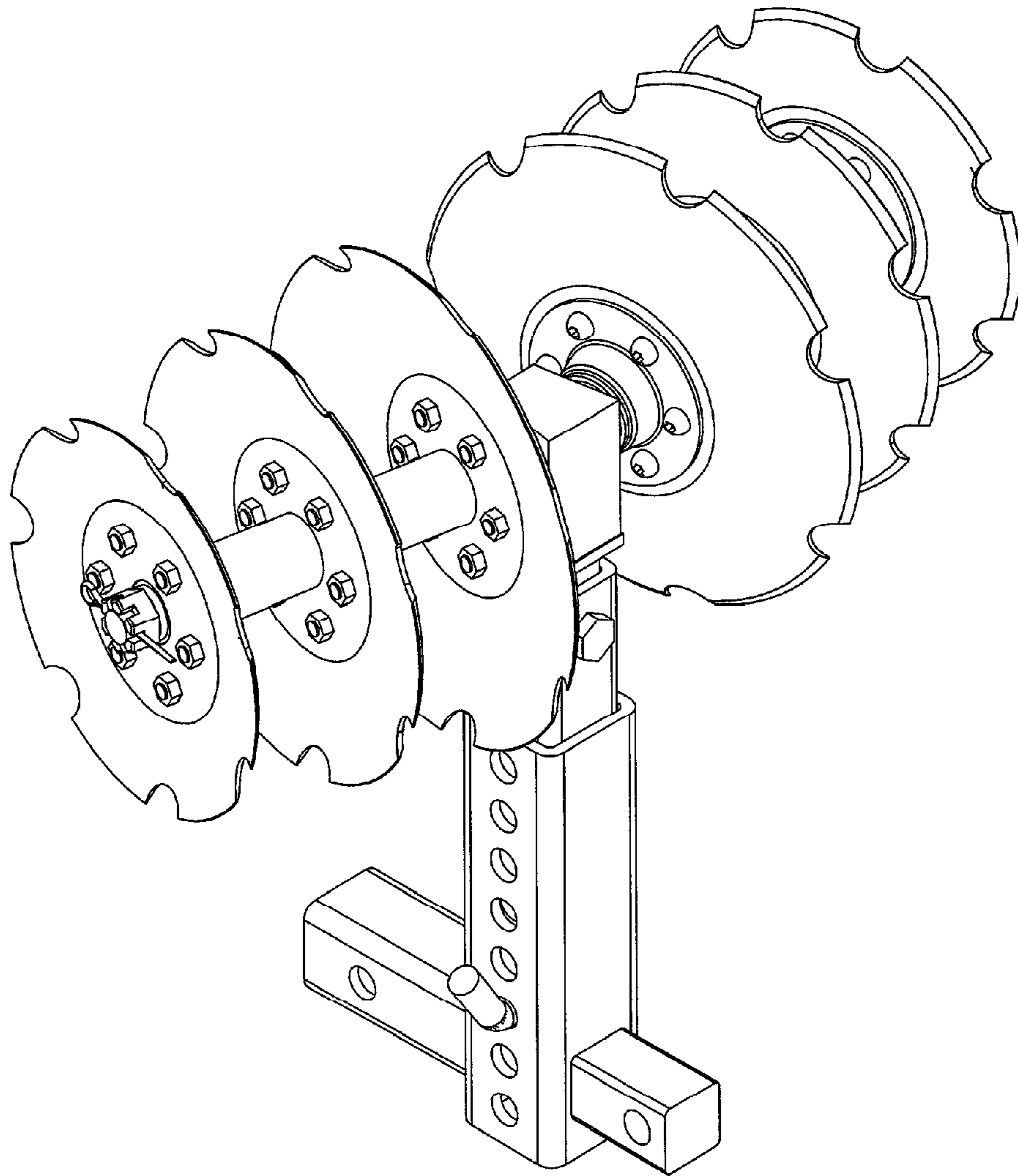


FIG. 4

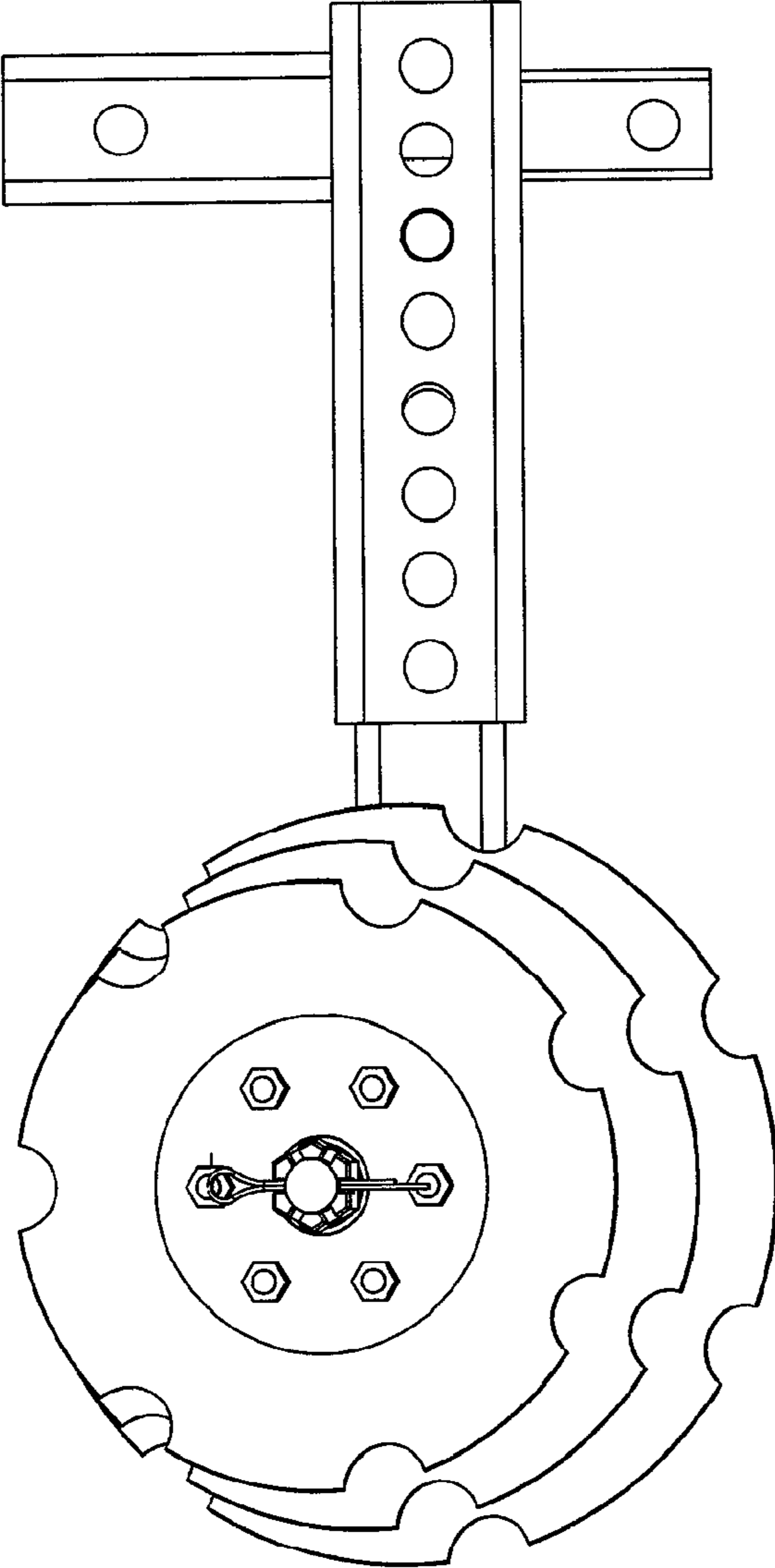


FIG. 5

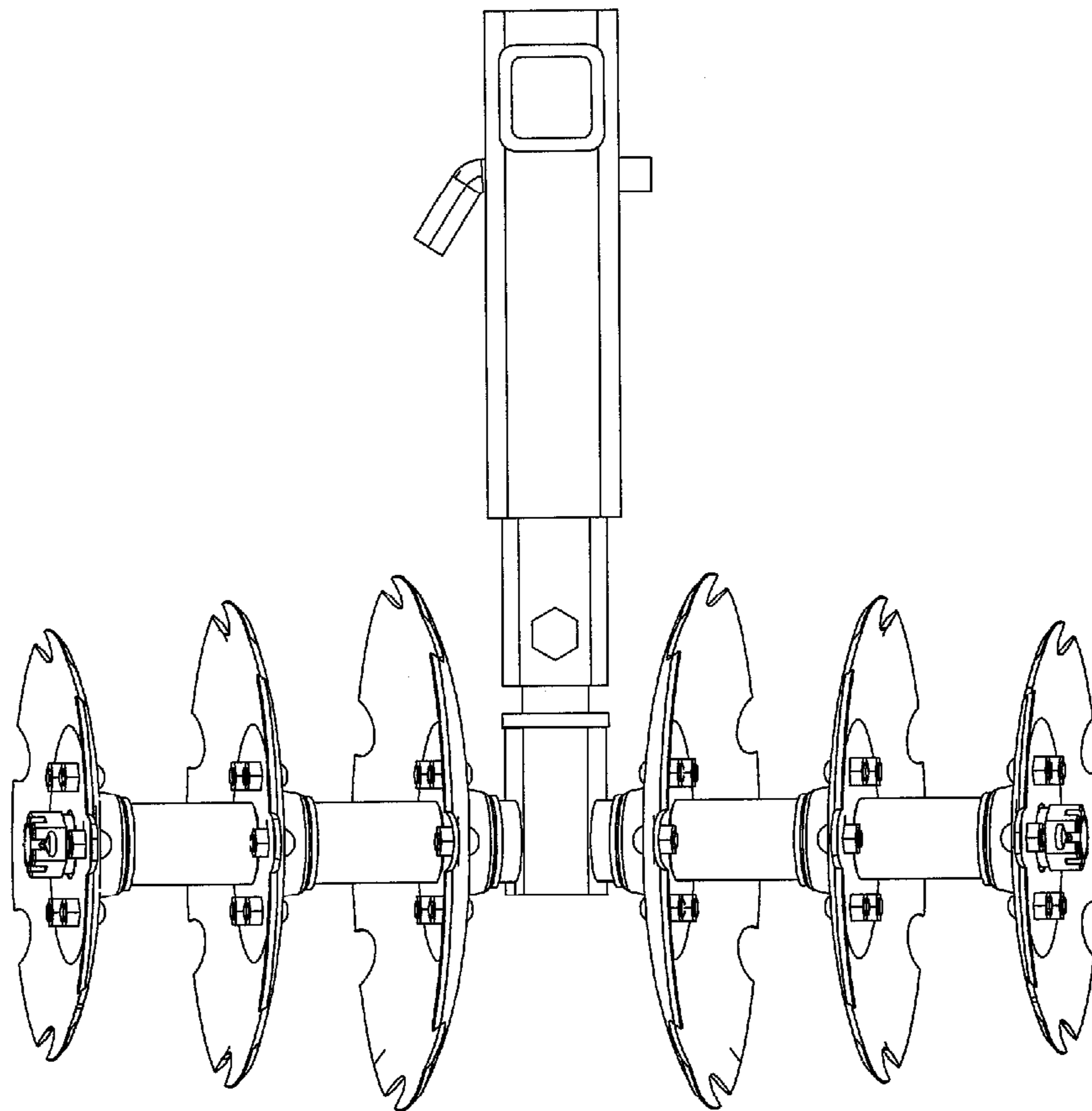


FIG. 6

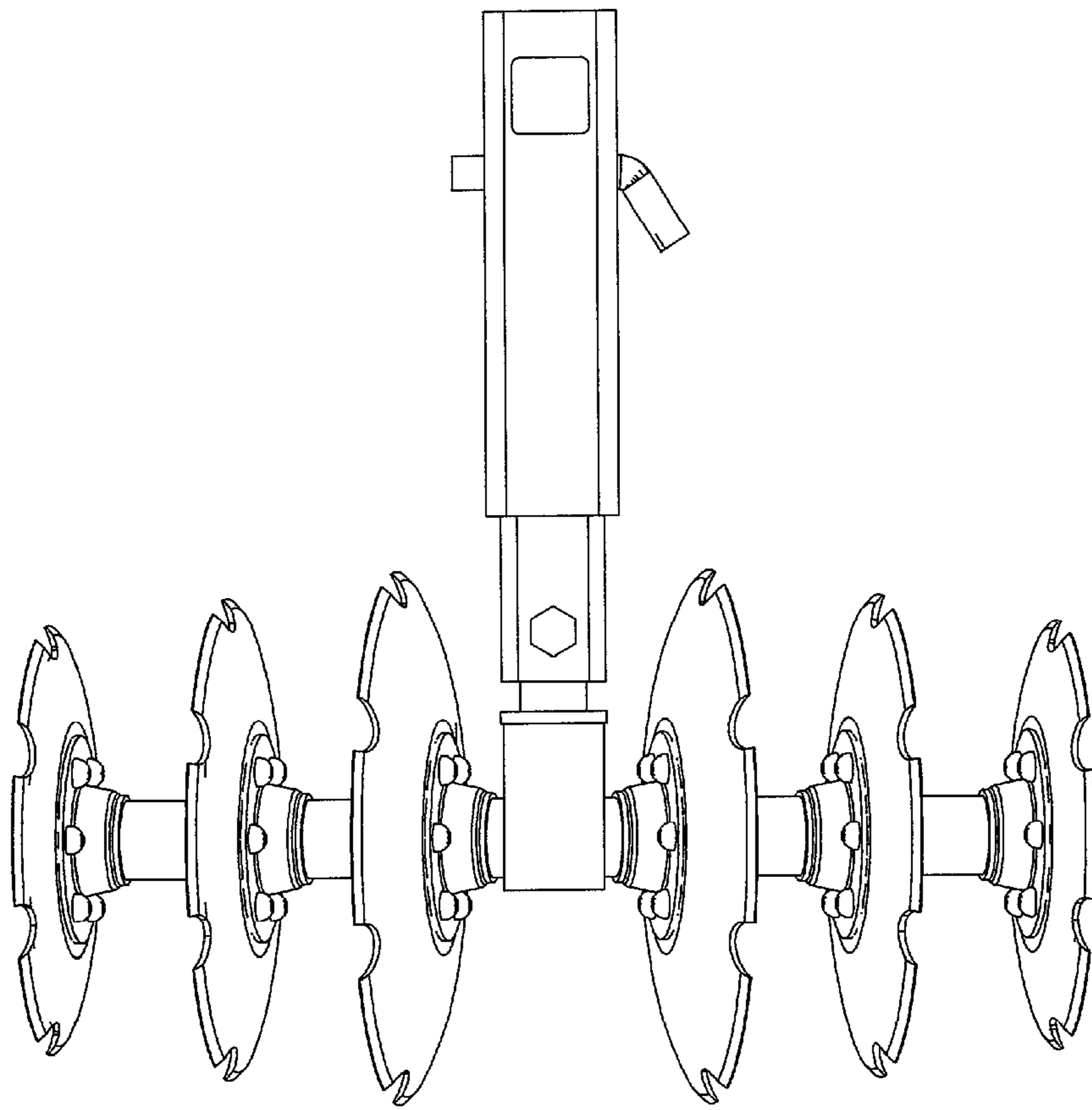


FIG. 7

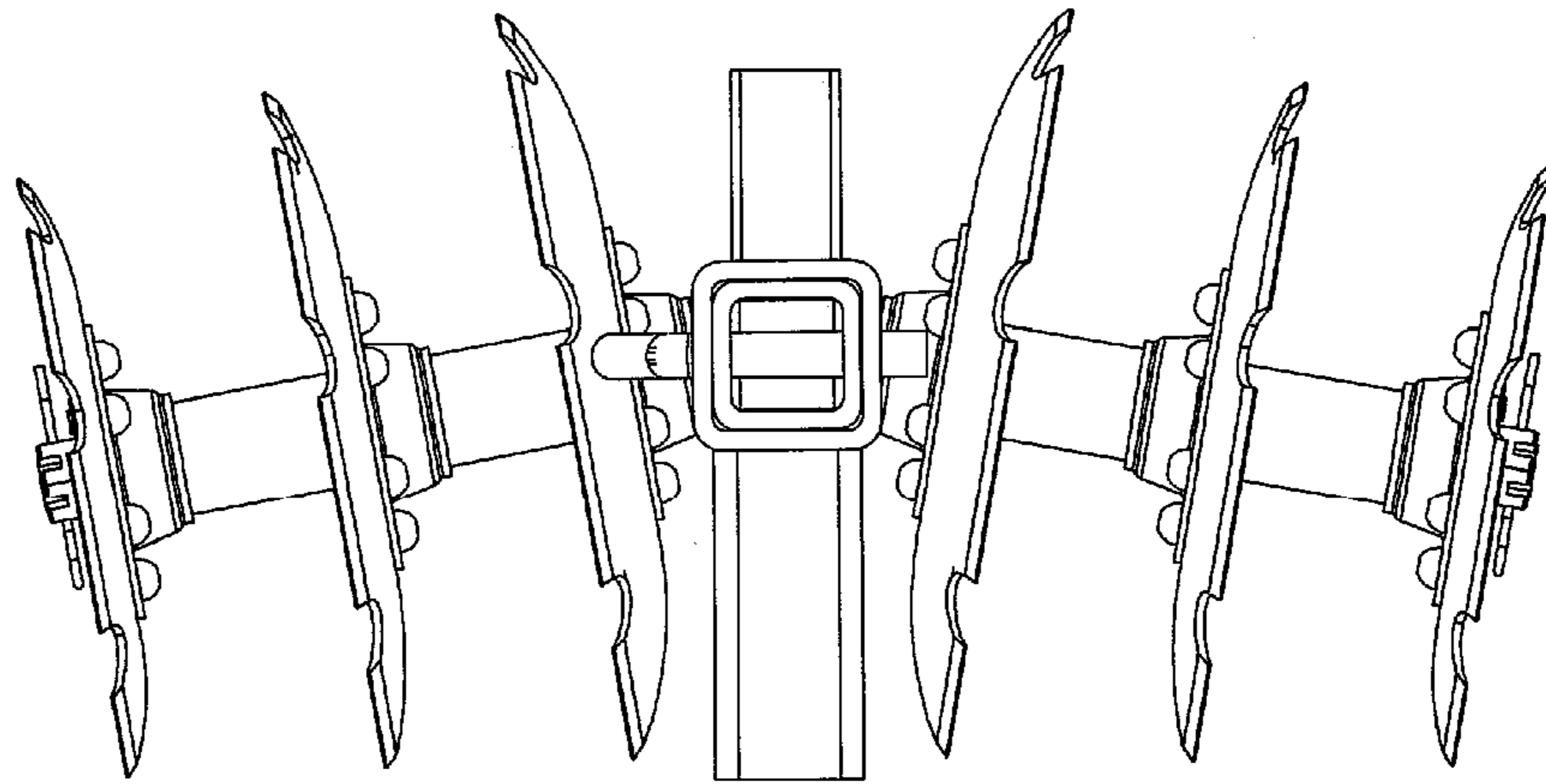


FIG. 8

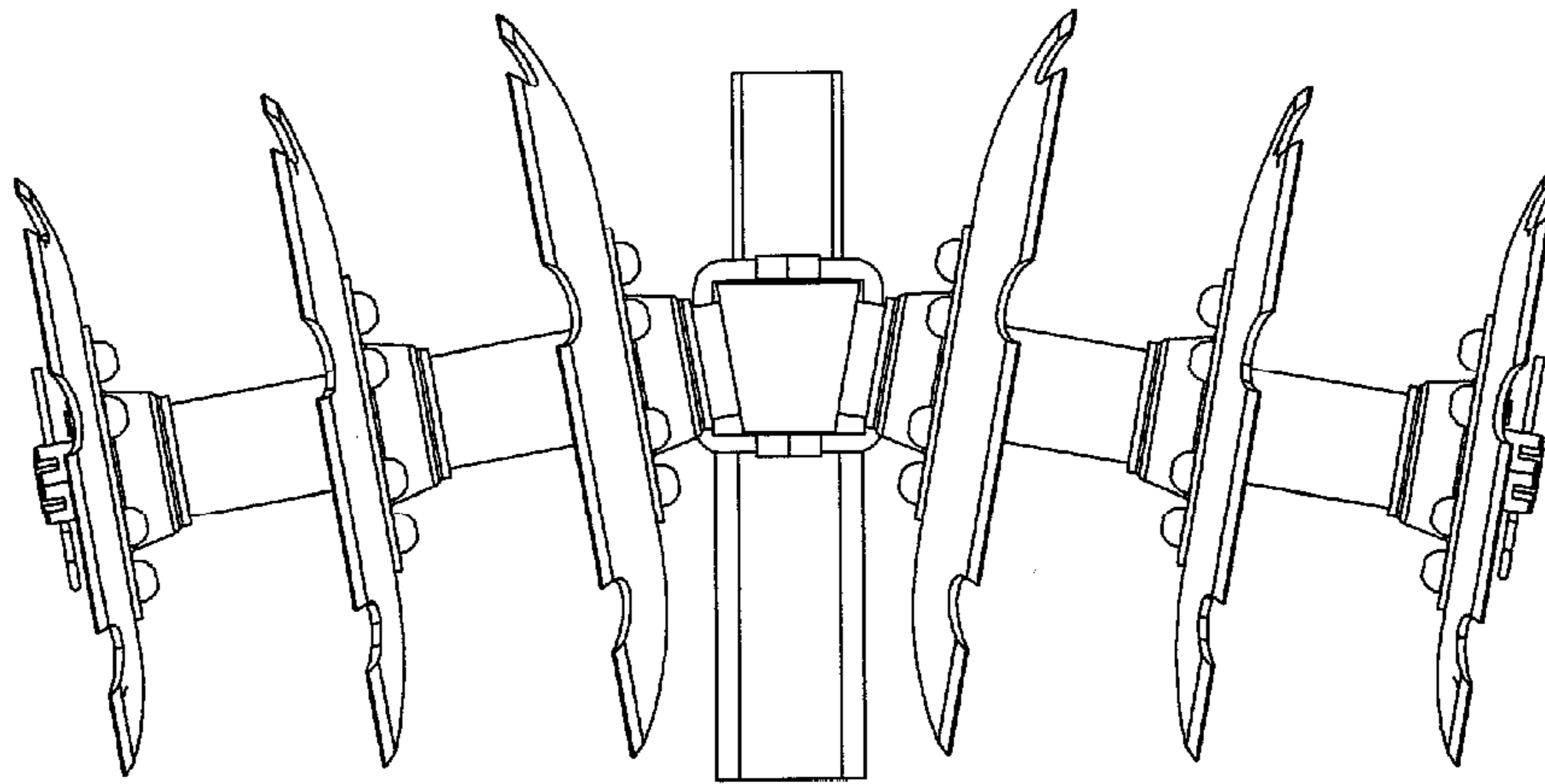


FIG. 9