

US00D676877S

(12) **United States Design Patent**
Drenth et al.

(10) **Patent No.:** **US D676,877 S**
(45) **Date of Patent:** **** Feb. 26, 2013**

(54) **TUBE LOADER**

(75) Inventors: **Christopher L. Drenth**, Draper, UT (US); **George Ibrahim**, Mississauga (CA); **Jay S. Averett**, Riverdale, UT (US); **Tony Wiki**, Waihi Beach (NZ); **Cliff Wiki**, Takanini (NZ)

(73) Assignee: **Longyear TM, Inc.**, South Jordan, UT (US)

(**) Term: **14 Years**

(21) Appl. No.: **29/386,570**

(22) Filed: **Mar. 2, 2011**

(51) **LOC (9) Cl.** **15-03**

(52) **U.S. Cl.** **D15/21**

(58) **Field of Classification Search** D15/21, D15/28; 175/403, 58, 236, 243, 246, 317, 175/44, 255, 234, 230, 19, 249, 285, 258, 175/72, 251, 247, 244; 173/137; 166/214, 166/237, 285, 177.4, 98; D23/260; D8/349
See application file for complete search history.

(56) **References Cited**

U.S. PATENT DOCUMENTS

D34,955 S *	8/1901	Thatcher	D9/439
D194,437 S *	1/1963	Salter	D15/21
3,471,179 A *	10/1969	Sixt	285/148.22
4,716,875 A *	1/1988	Troncoso, Jr.	123/469
5,261,914 A *	11/1993	Warren	606/323
D351,898 S *	10/1994	Stowers, Jr.	D23/260
5,374,121 A *	12/1994	Draenert	366/242
5,645,347 A *	7/1997	Draenert	366/242

D408,830 S *	4/1999	Nathenson et al.	D15/21
5,915,418 A *	6/1999	Turner	138/89
D420,589 S *	2/2000	Baxter	D9/439
D421,791 S *	3/2000	Ohtani et al.	D23/260
D456,880 S *	5/2002	Wagner et al.	D23/260
D458,350 S *	6/2002	Wagner et al.	D23/260
D470,818 S *	2/2003	Cheng	D13/133
D580,756 S *	11/2008	Seebold	D9/439
D617,427 S *	6/2010	McNamara	D23/261
D639,657 S *	6/2011	Hoyt et al.	D9/439
2008/0269784 A1 *	10/2008	Abbott et al.	606/144
2010/0012376 A1 *	1/2010	Bagassi	175/24

* cited by examiner

Primary Examiner — Mark Goodwin

(74) *Attorney, Agent, or Firm* — Ballard Spahr LLP

(57) **CLAIM**

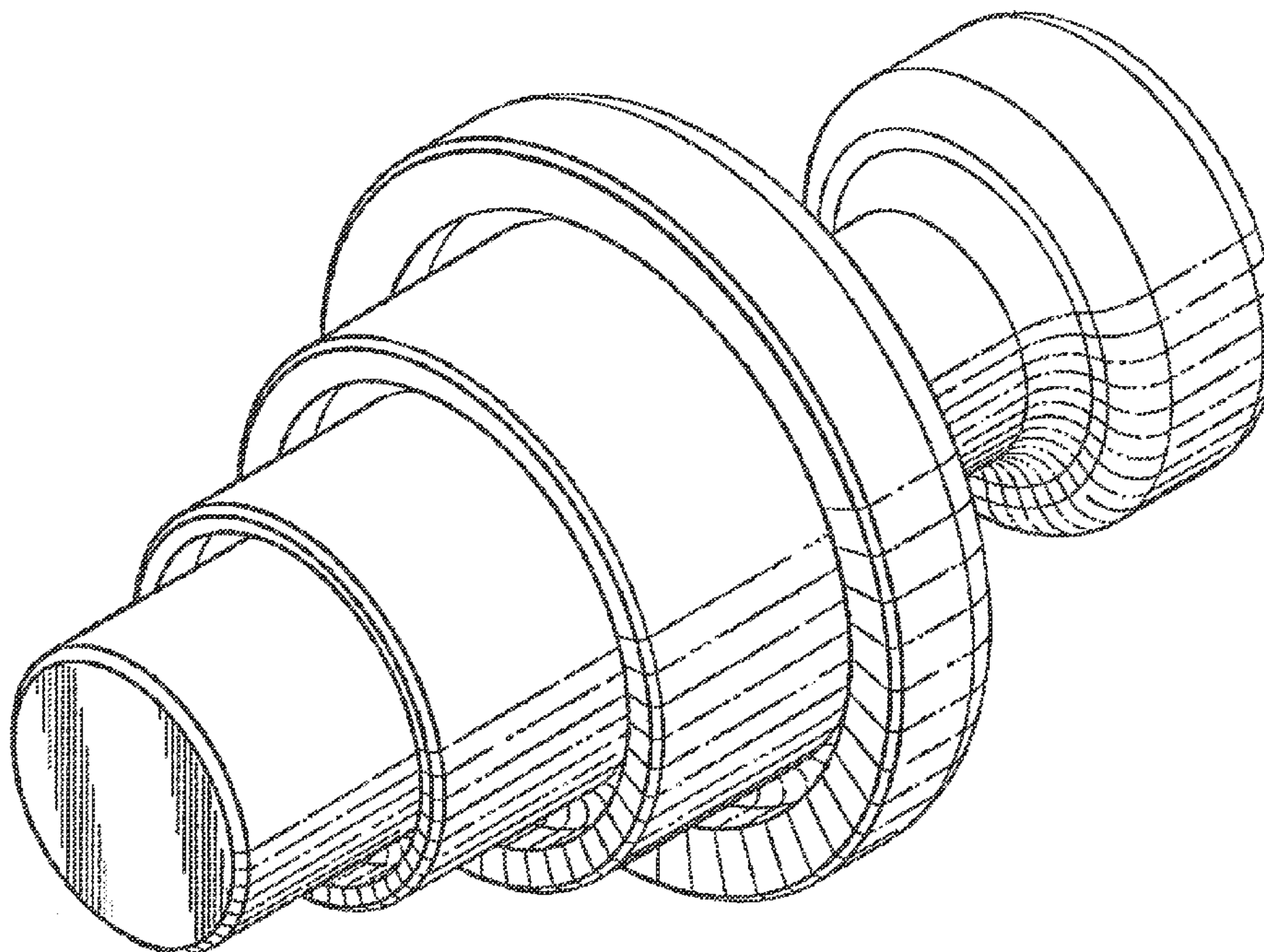
The ornamental design for a tube loader, as shown and described.

DESCRIPTION

FIG. 1 is a perspective view of a tube loader showing our new design in use condition interfaced with a tube; FIG. 2 is an enlarged perspective view thereof; FIG. 3 is a reduced top plan view thereof; FIG. 4 is a front elevational view thereof, the rear and side elevational views being identical thereto; FIG. 5 is a bottom plan view thereof; and, FIG. 6 is a cross sectional view thereof taken along line 6-6 of FIG. 4.

The broken lines showing environment in the drawings are included for illustrative purposes only and form no part of the claimed design.

1 Claim, 4 Drawing Sheets



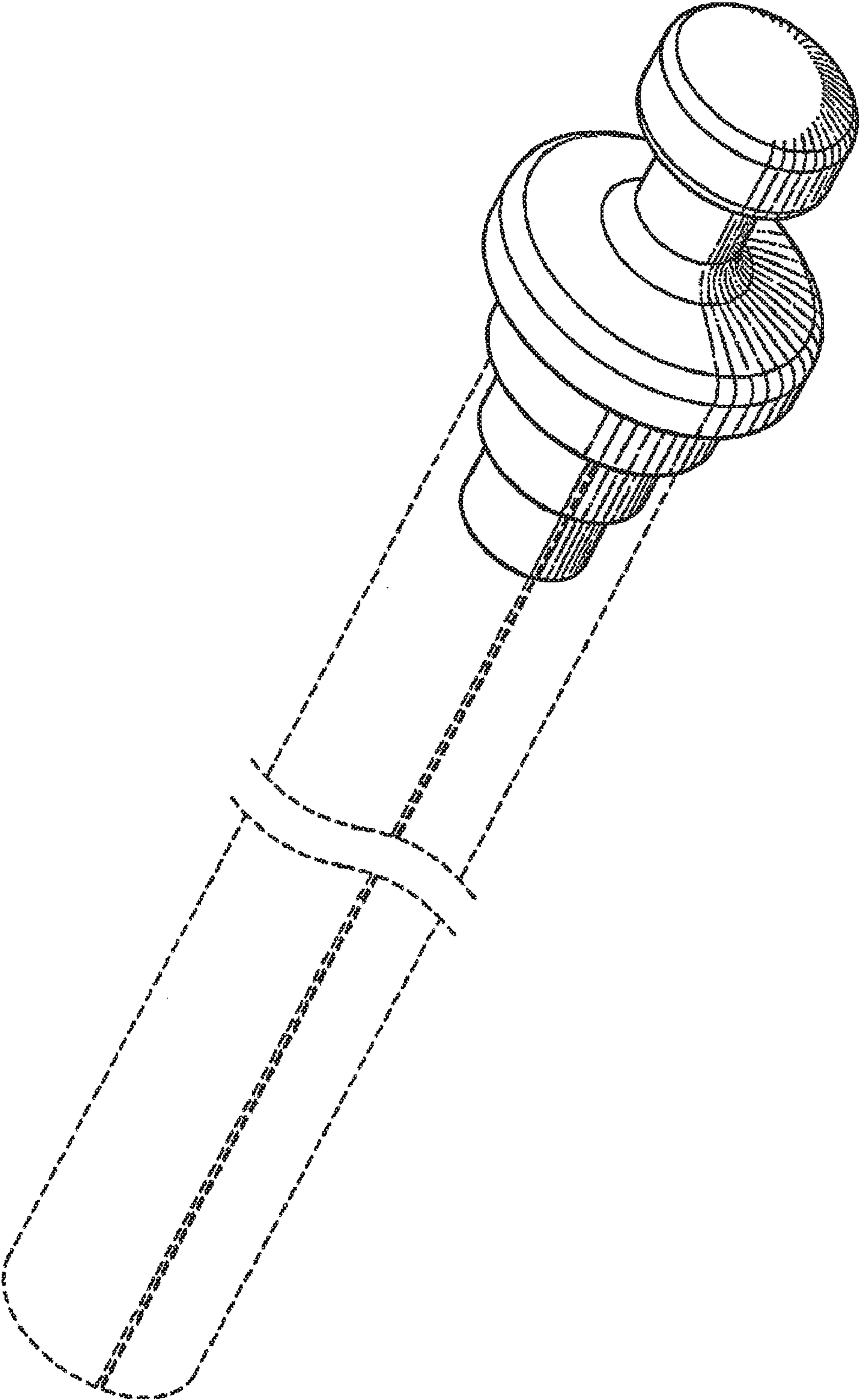


Fig. 1

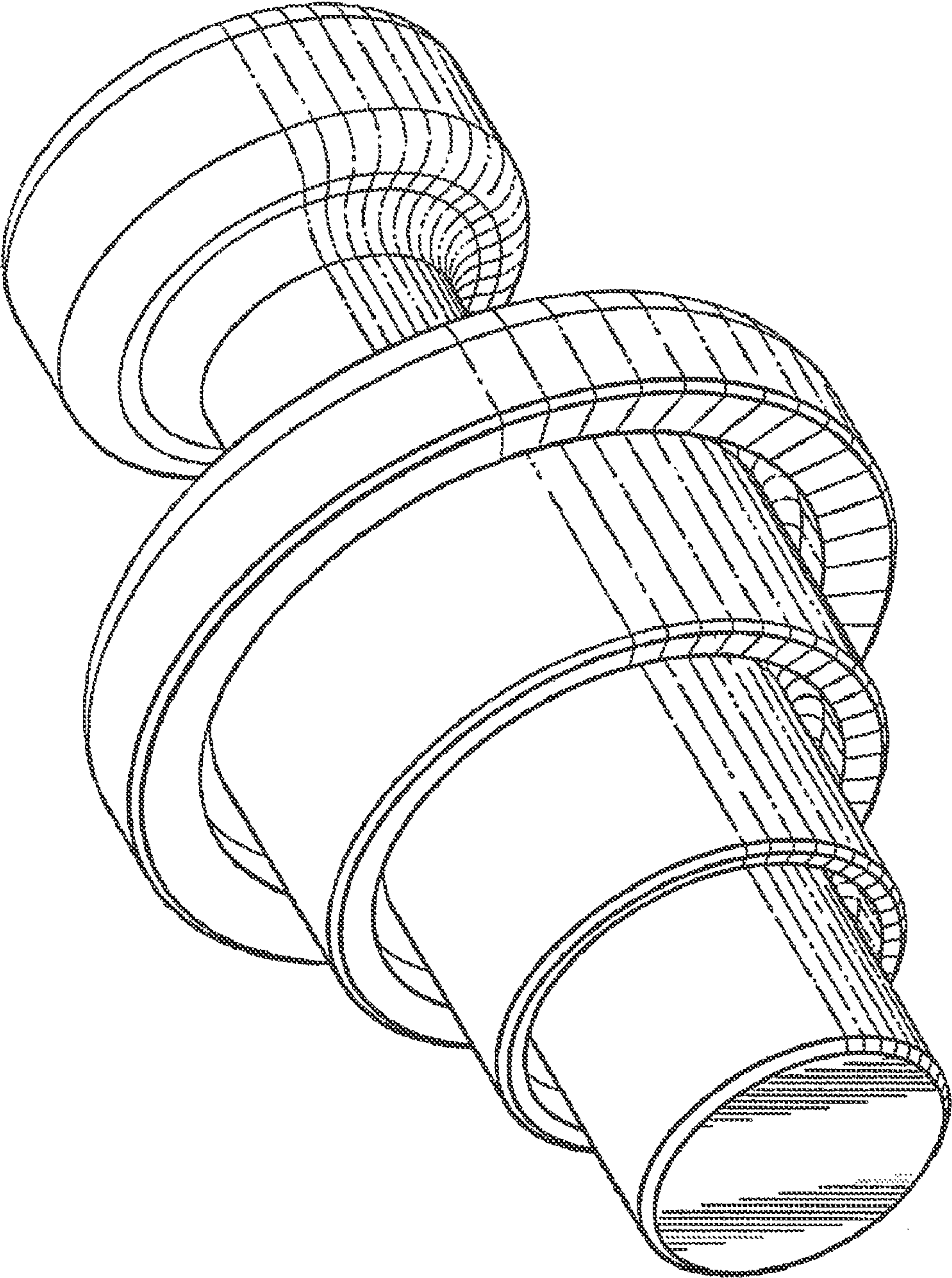


Fig. 2

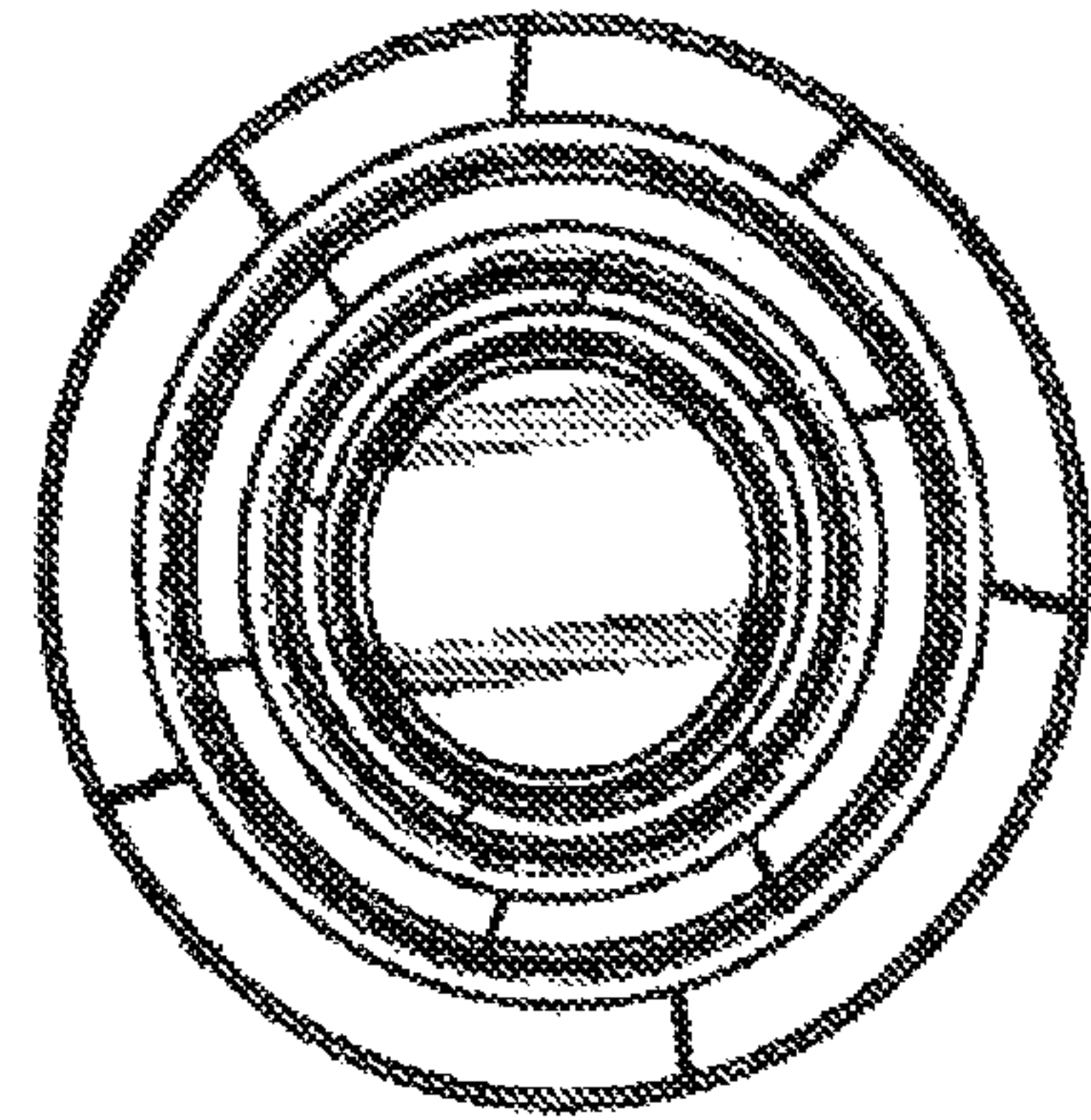


Fig. 5

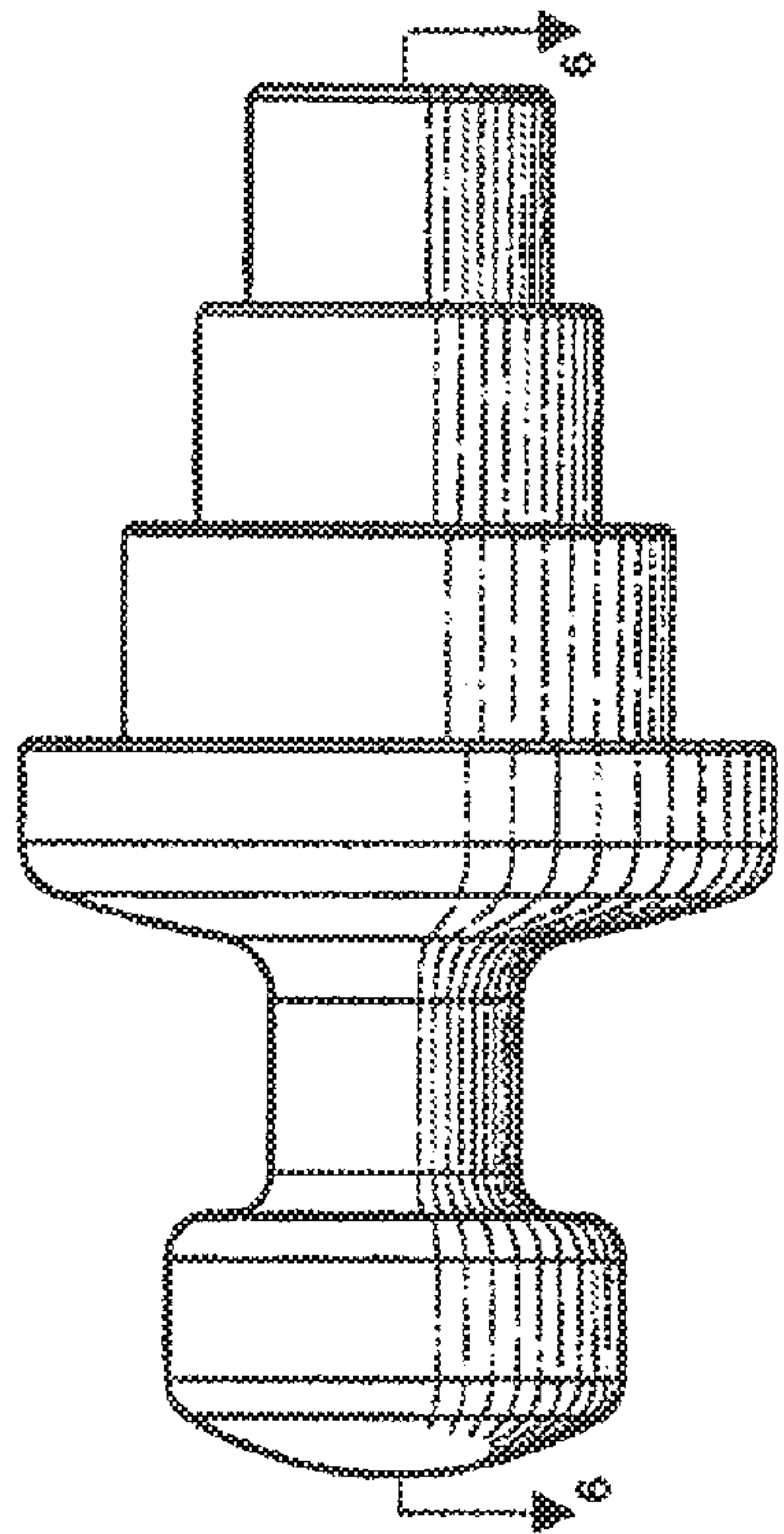


Fig. 4

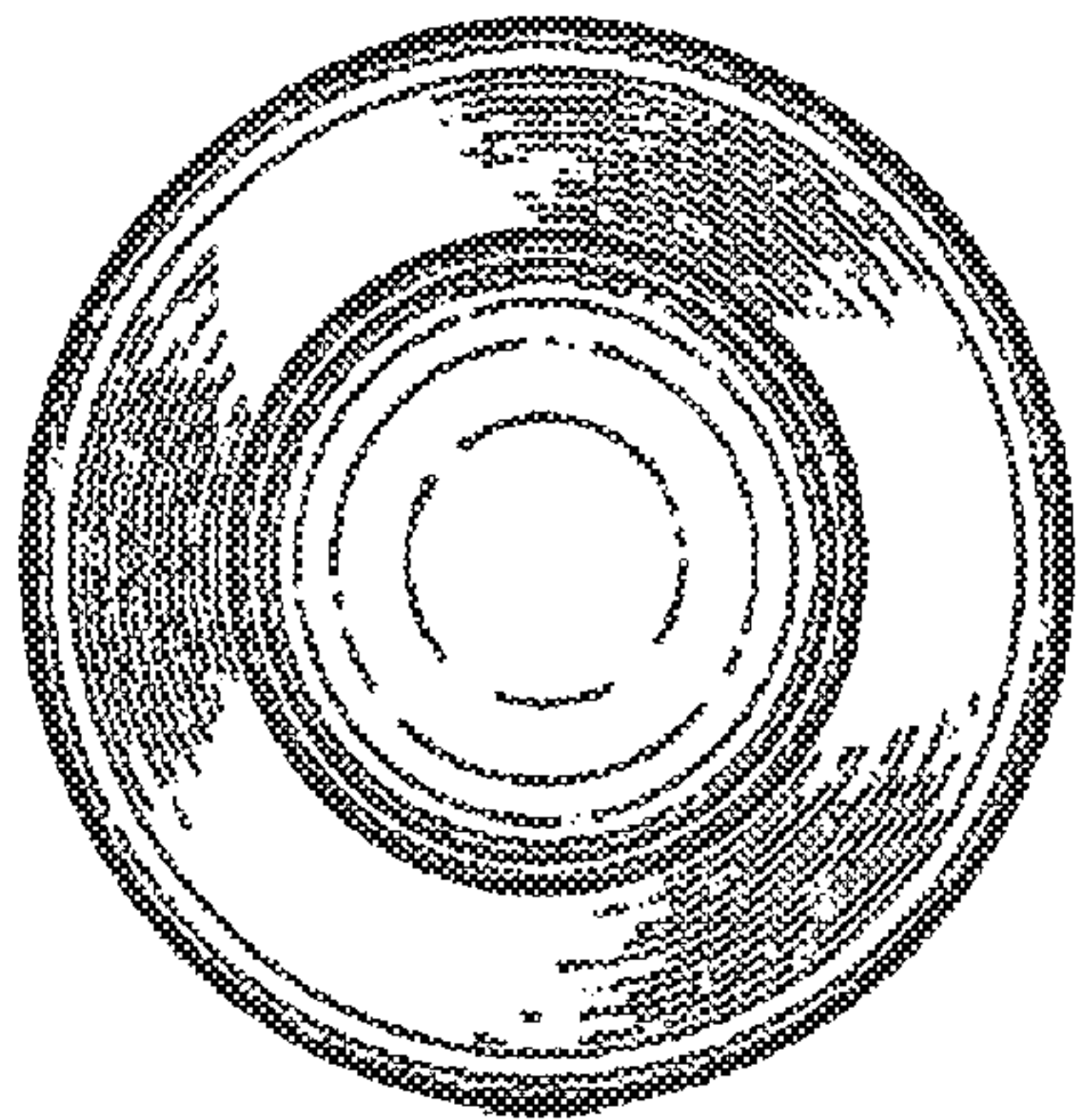


Fig. 3

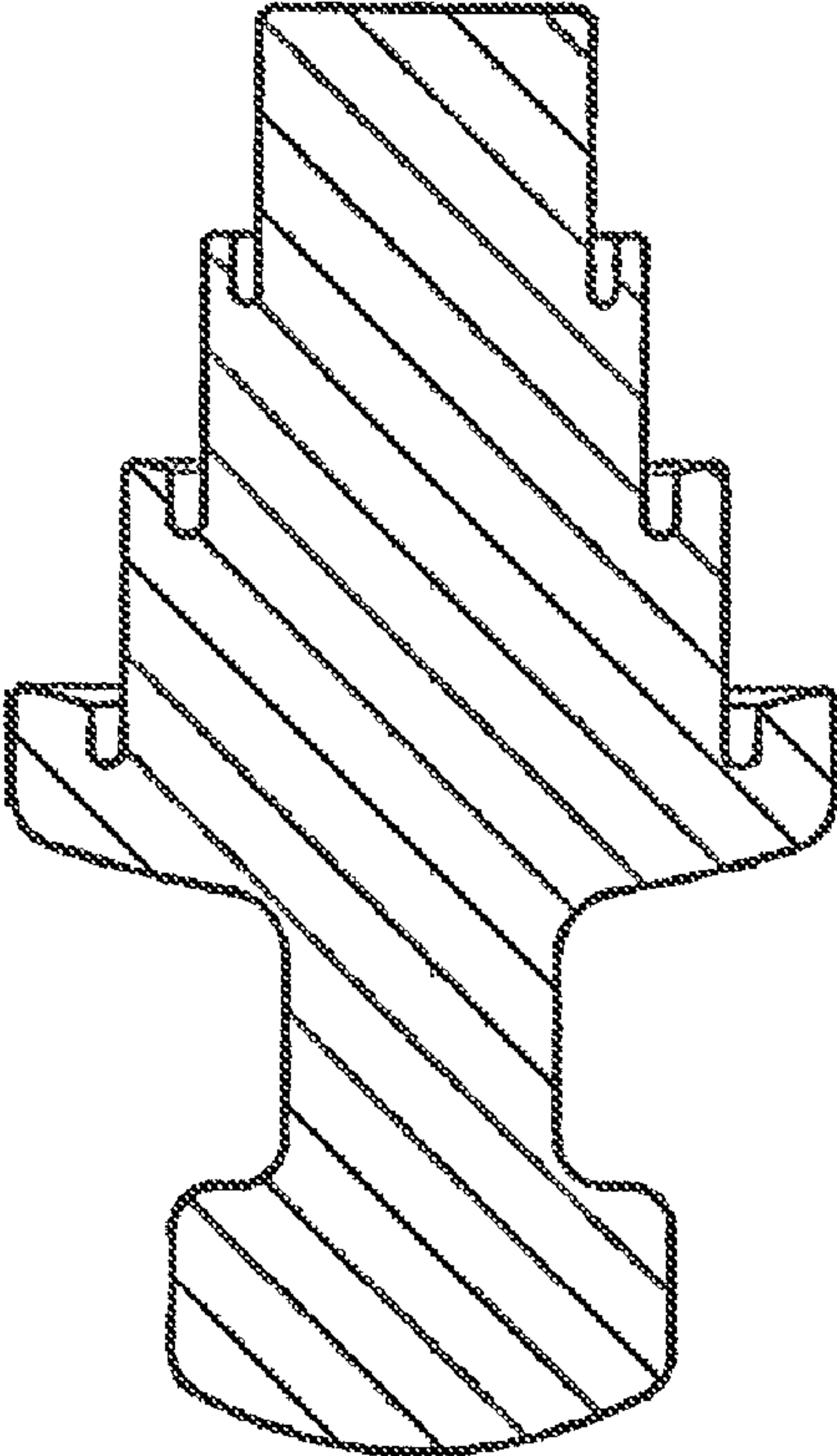


Fig. 6