



US00D676875S

(12) **United States Design Patent**  
**Ramirez, Jr.**

(10) **Patent No.:** **US D676,875 S**  
(45) **Date of Patent:** **\*\* Feb. 26, 2013**

(54) **PERISTALTIC PUMP FRONT HOUSING**

D589,064 S \* 3/2009 Chu ..... D15/9  
D603,875 S \* 11/2009 Chu ..... D15/9  
D604,747 S \* 11/2009 Hodge ..... D15/9  
D657,386 S \* 4/2012 Chu ..... D15/9

(75) Inventor: **Emilio A. Ramirez, Jr.**, Roselle, IL (US)

(73) Assignee: **Molon Motor and Coil Corporation**,  
Arlington Heights, OH (US)

\* cited by examiner

(\*\*) Term: **14 Years**

*Primary Examiner* — Ralf Seifert

(21) Appl. No.: **29/431,093**

(74) *Attorney, Agent, or Firm* — Bishop & Diehl, Ltd.

(22) Filed: **Sep. 4, 2012**

(57) **CLAIM**

The ornamental design for the peristaltic pump front housing,  
as shown and described.

**Related U.S. Application Data**

**DESCRIPTION**

(62) Division of application No. 29/375,160, filed on Sep.  
17, 2010, now Pat. No. Des. 668,266.

(51) **LOC (9) Cl.** ..... **15-02**

(52) **U.S. Cl.** ..... **D15/7**

(58) **Field of Classification Search** ..... D15/7-9;  
D23/231, 232, 225; 417/60, 235, 265, 321,  
417/355, 358, 363, 359, 410.1, 415-416,  
417/405, 900; 60/408, 412; 184/26-37;  
415/140-147; 123/495, 509

See application file for complete search history.

FIG. 1 is a perspective view of an embodiment of the peri-  
staltic pump front housing showing the new design;  
FIG. 2 is a front elevational view of the embodiment of FIG.  
1;  
FIG. 3 is a rear elevational view of the embodiment of FIG. 1;  
FIG. 4 is a top plan view of the embodiment of FIG. 1;  
FIG. 5 is a bottom plan view of the embodiment of FIG. 1;  
FIG. 6 is a side elevational view of one side of the embodi-  
ment of FIG. 1; and,  
FIG. 7 is a side elevational view of the other side of the  
embodiment of FIG. 1.

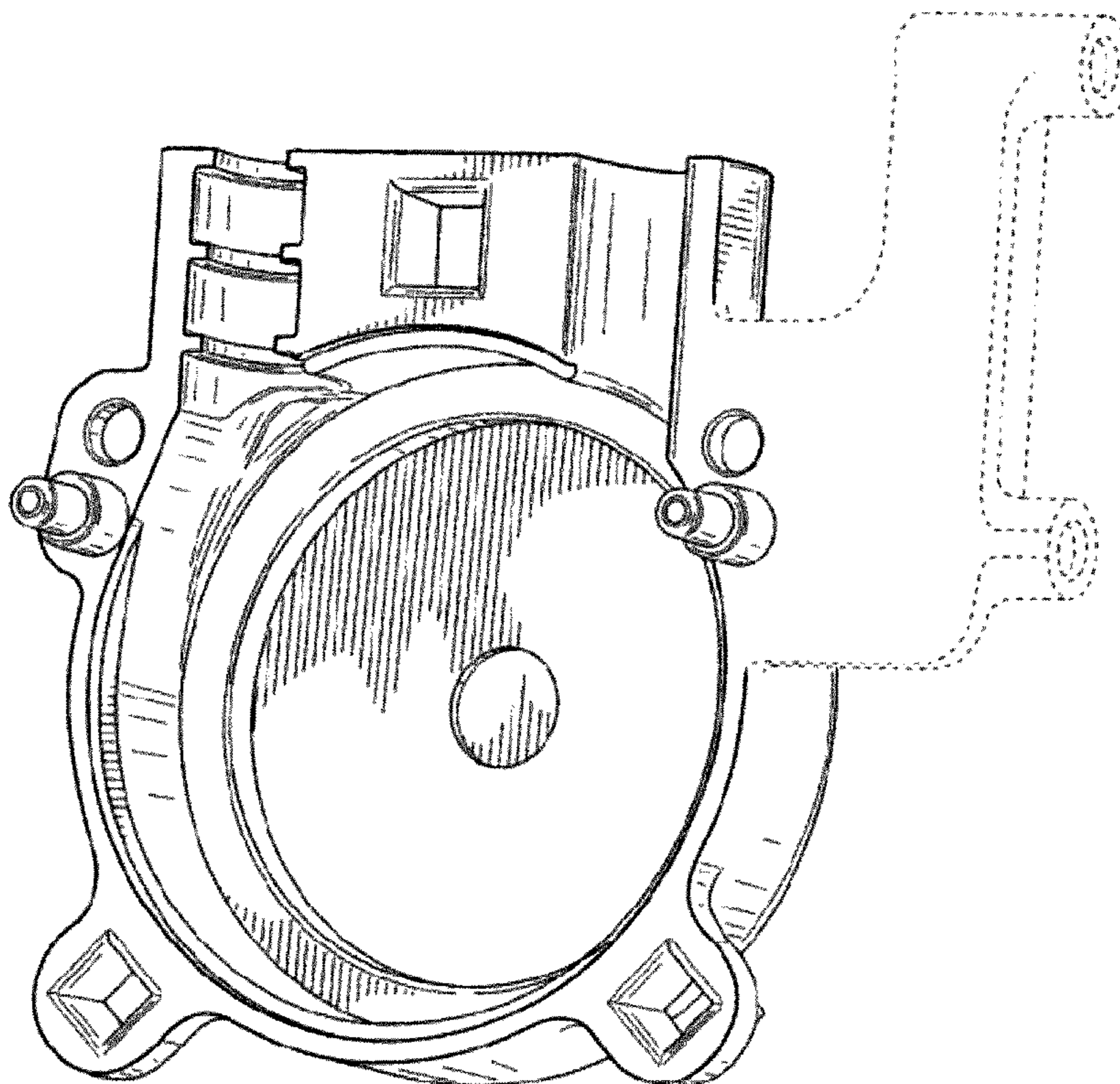
Any components in the appended drawings shown in broken  
lines are for illustrative purposes only and form no part of the  
claimed design or a specified embodiment thereof.

(56) **References Cited**

**U.S. PATENT DOCUMENTS**

D575,306 S \* 8/2008 Chu ..... D15/9  
D575,307 S \* 8/2008 Chu ..... D15/9

**1 Claim, 5 Drawing Sheets**



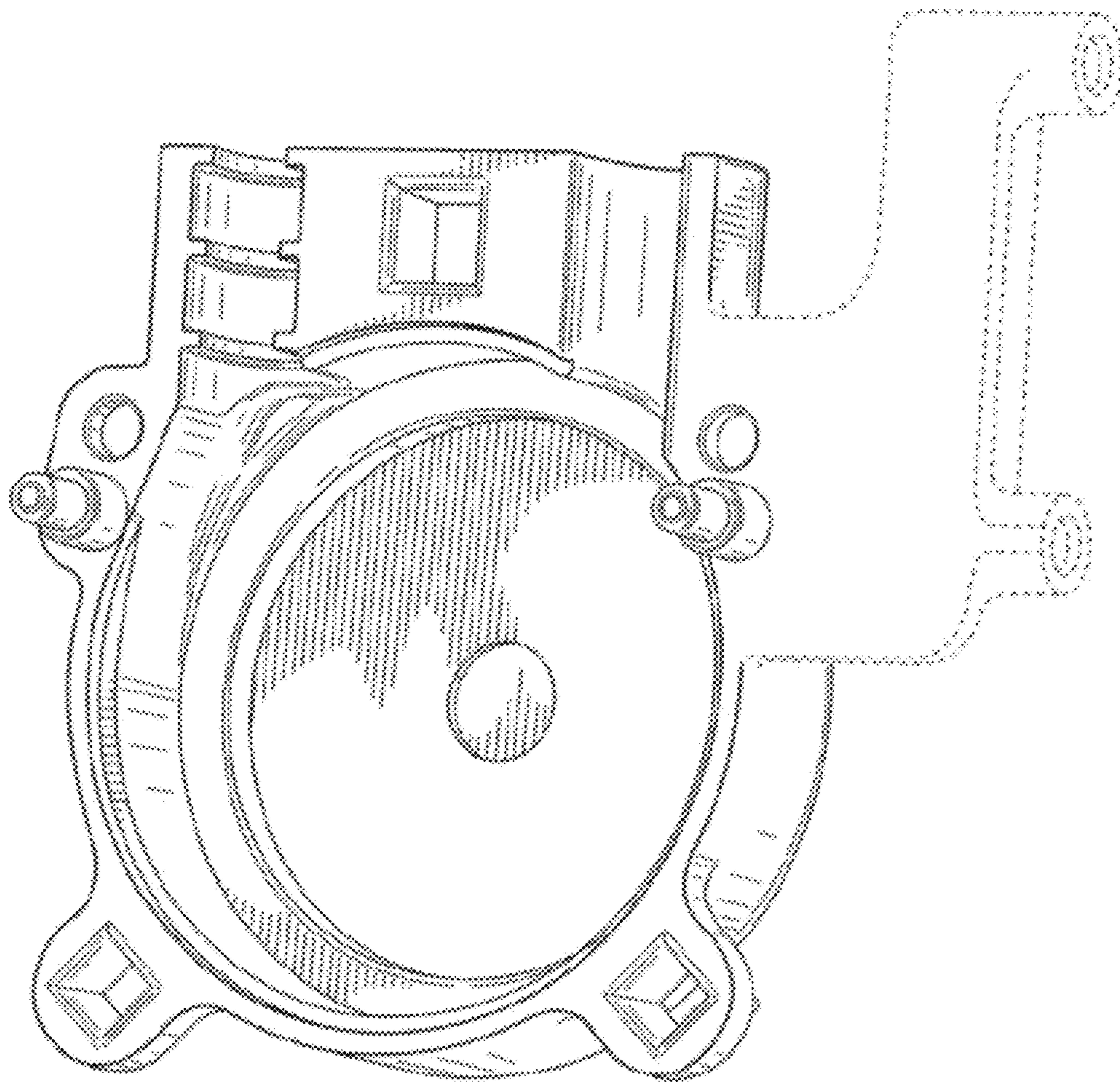


FIG. 1

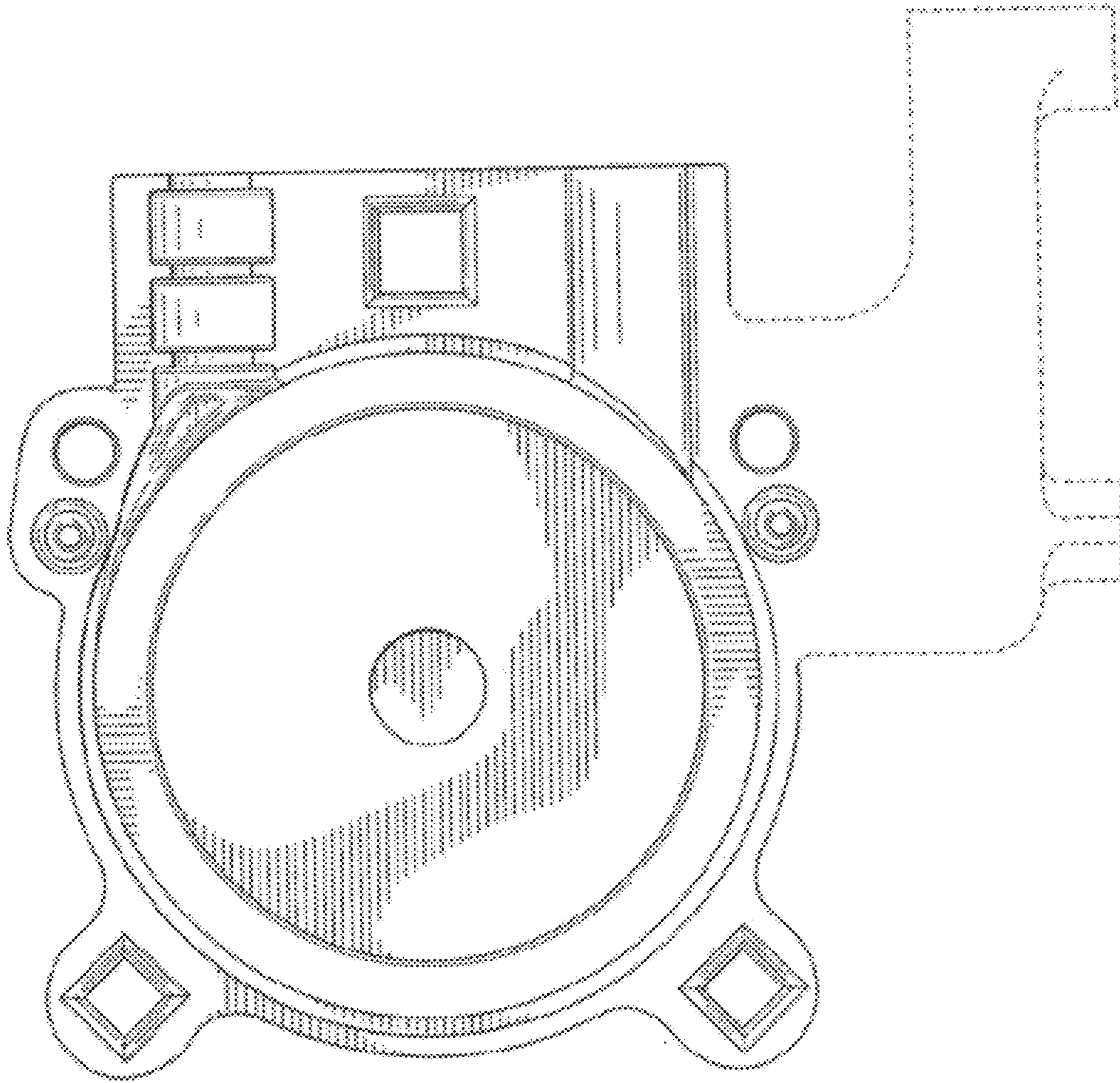


FIG. 2

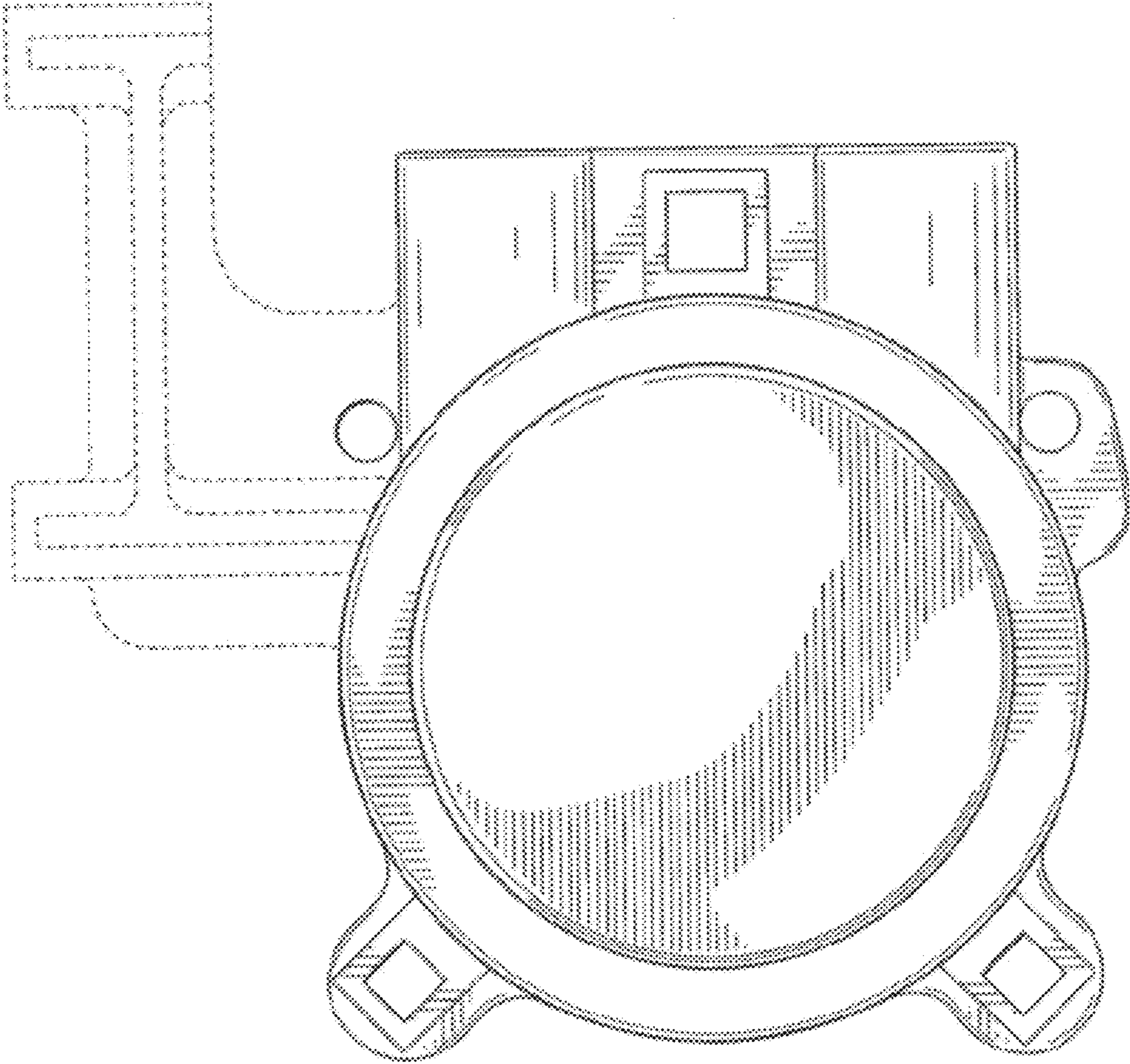


FIG. 3

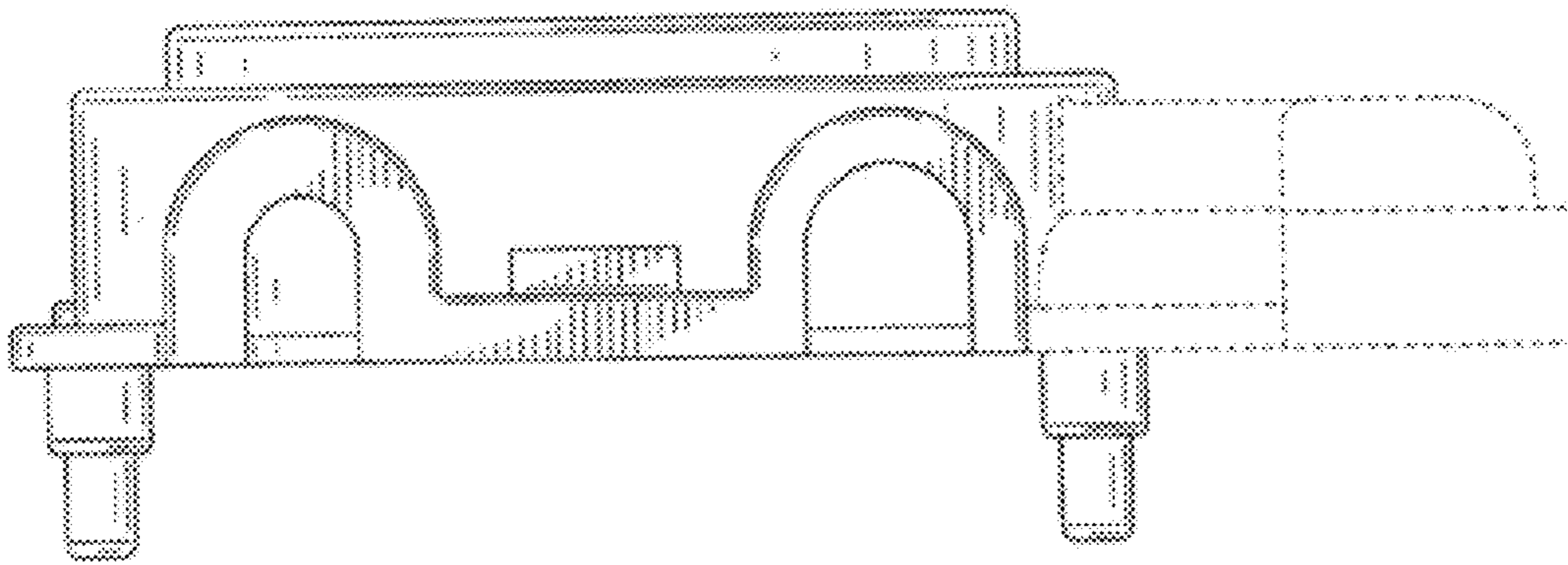


FIG. 4

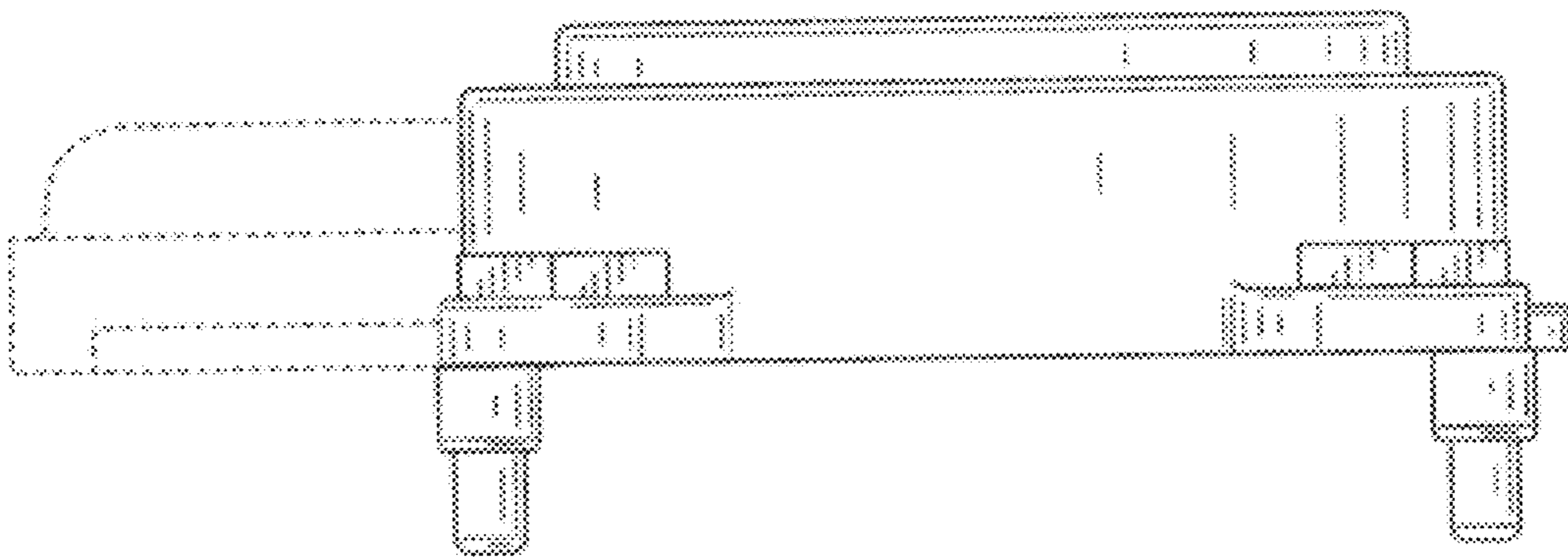


FIG. 5

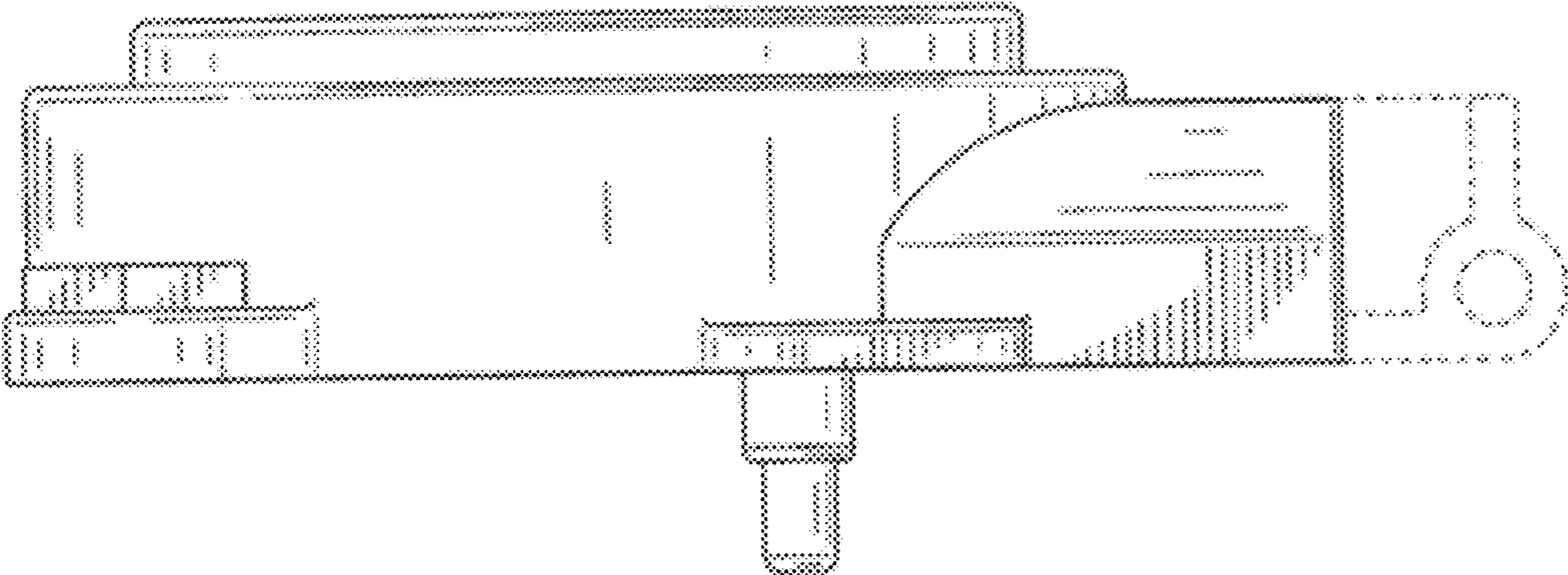


FIG. 6

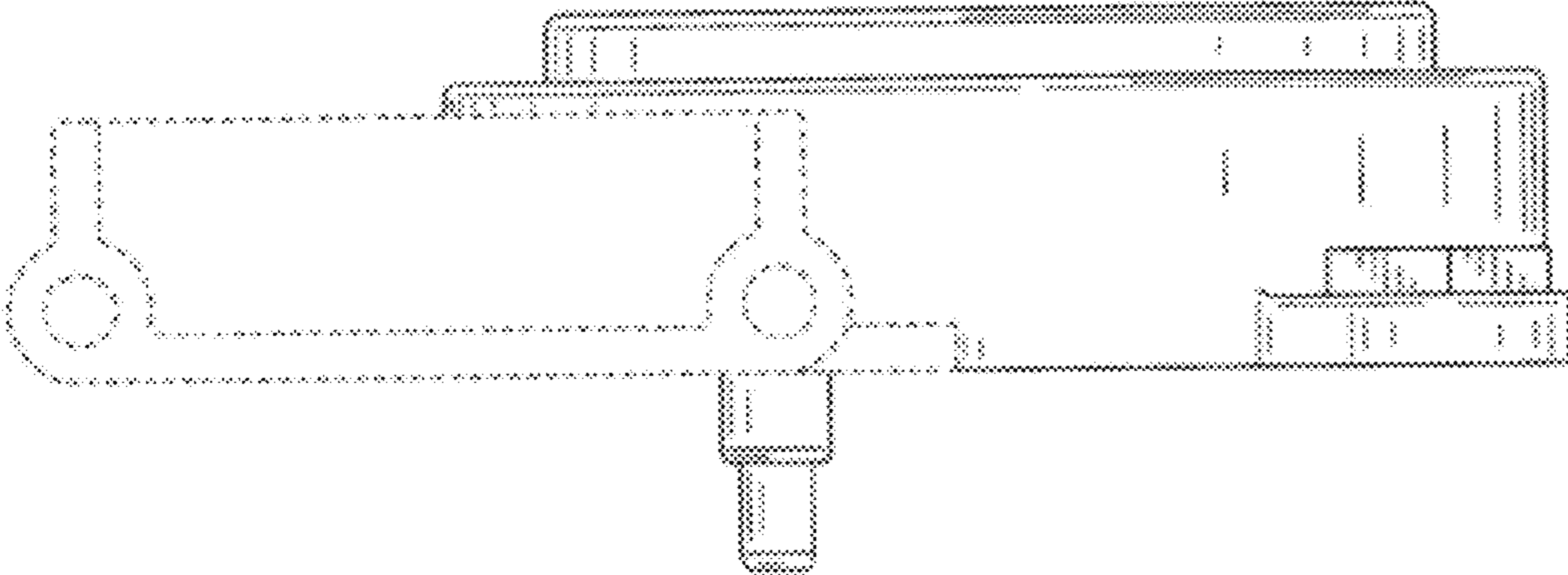


FIG. 7