



US00D676868S

(12) **United States Design Patent**  
**Wagner**

(10) **Patent No.:** **US D676,868 S**  
(45) **Date of Patent:** **\*\* Feb. 26, 2013**

(54) **DISPLAY SCREEN OR PORTION THEREOF WITH GRAPHICAL USER INTERFACE**

(75) Inventor: **Ollie Wagner**, Albuquerque, NM (US)

(73) Assignee: **Apple Inc.**, Cupertino, CA (US)

(\*\*) Term: **14 Years**

(21) Appl. No.: **29/428,643**

(22) Filed: **Aug. 1, 2012**

D594,465 S	6/2009	Hong et al.	
D607,464 S	1/2010	Tang et al.	
D607,888 S	1/2010	Ahn	
D609,244 S	2/2010	Seo	
D612,390 S	3/2010	Kim et al.	
D619,601 S *	7/2010	Matas	D14/486
D620,496 S	7/2010	Matas	
7,774,718 B2 *	8/2010	Finke-Anlauff et al.	715/833
D623,195 S	9/2010	La et al.	
7,844,913 B2	11/2010	Amano et al.	
D638,442 S	5/2011	Christie et al.	
7,956,845 B2	6/2011	Lee	
8,058,571 B2 *	11/2011	Rajagopal et al.	200/1 B
D650,796 S	12/2011	Rincover et al.	
D666,209 S *	8/2012	Cranfill	D14/486

(Continued)

**Related U.S. Application Data**

(63) Continuation of application No. 29/363,168, filed on Jun. 5, 2010, now Pat. No. Des. 666,209.

(51) **LOC (9) Cl.** ..... **14-04**

(52) **U.S. Cl.** ..... **D14/489**

(58) **Field of Classification Search** ..... D14/485-495;  
D18/24-33; D19/6, 52; D20/11; D21/324-333;  
715/700-867, 973-977

See application file for complete search history.

**FOREIGN PATENT DOCUMENTS**

EM	000584529-0003	11/2006
JP	D1189312	11/2003

(Continued)

**OTHER PUBLICATIONS**

“HTC Touch Preview,” Jun. 6, 2007, <http://www.youtube.com/watch?v=Gj8PMcvYTZo>.

(Continued)

(56) **References Cited**

**U.S. PATENT DOCUMENTS**

5,995,093 A	11/1999	Lambourne et al.	
6,014,142 A *	1/2000	LaHood	715/848
6,556,222 B1	4/2003	Narayanaswami	
6,731,316 B2	5/2004	Herigstad et al.	
D523,439 S	6/2006	Kuroda	
D523,442 S	6/2006	Hiramatsu	
D551,243 S	9/2007	Young	
D553,638 S	10/2007	Kim et al.	
D555,661 S	11/2007	Kim	
D566,720 S	4/2008	Kwon et al.	
D568,898 S	5/2008	Byeon	
D576,176 S	9/2008	Jong et al.	
D579,946 S	11/2008	Lee et al.	
D580,949 S	11/2008	Duarte	
7,493,571 B2	2/2009	Shinohara et al.	
D588,151 S	3/2009	Okada	
D590,416 S	4/2009	Kochackis	

*Primary Examiner* — Richard E Chilcot

(74) *Attorney, Agent, or Firm* — Sterne, Kessler, Goldstein & Fox PLLC

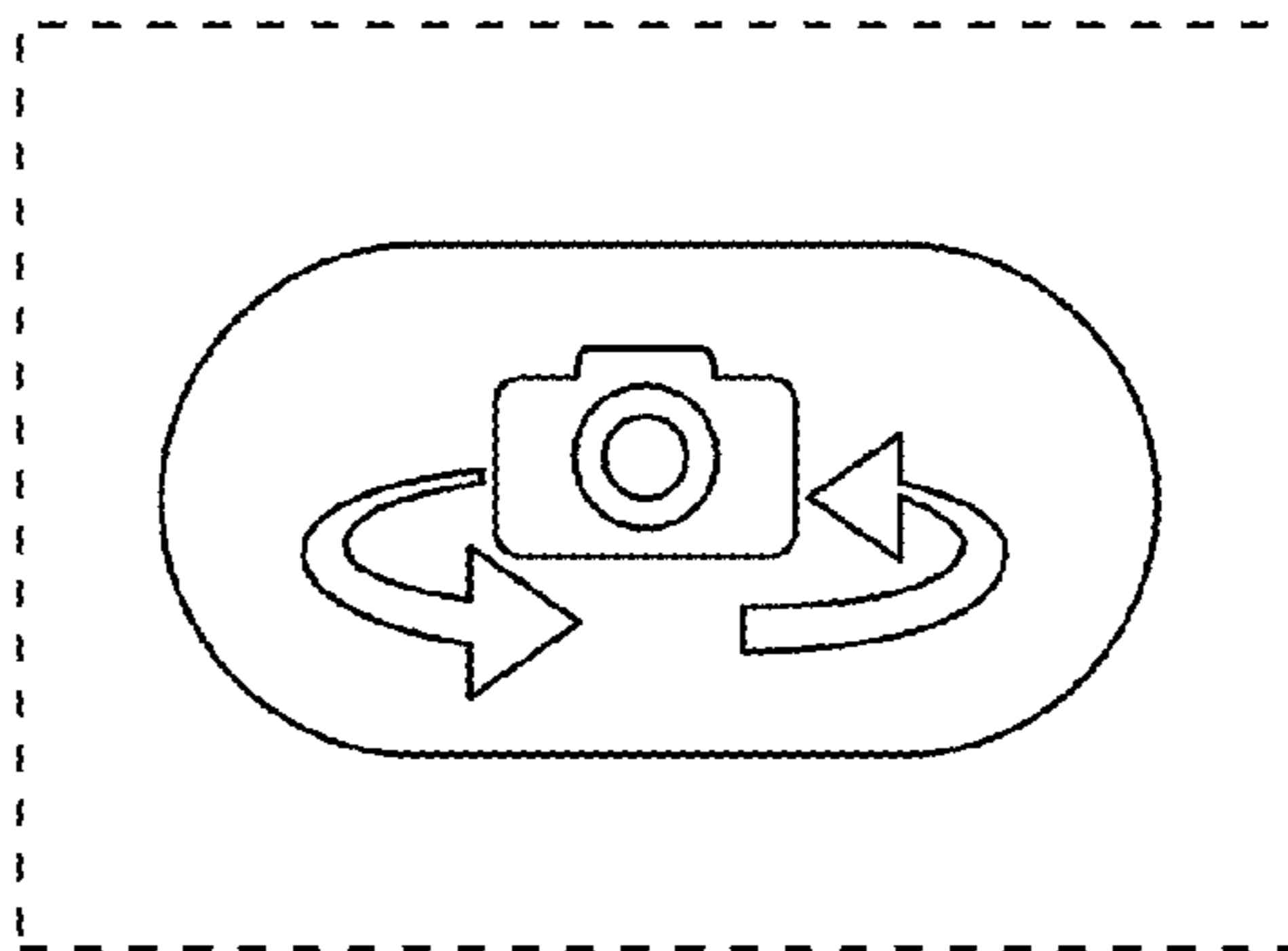
(57) **CLAIM**

The ornamental design for a display screen or portion thereof with graphical user interface, as shown and described.

**DESCRIPTION**

The FIGURE is a front view of a display screen or portion thereof with graphical user interface showing my new design. The broken line showing a display screen or portion thereof forms no part of the claimed design.

**1 Claim, 1 Drawing Sheet**



# US D676,868 S

Page 2

---

## U.S. PATENT DOCUMENTS

2007/0067738	A1*	3/2007	Flynt et al. ....	715/810
2007/0226655	A1*	9/2007	Shimizu .....	715/846
2009/0113333	A1*	4/2009	Dellinger et al. ....	715/771
2009/0228820	A1*	9/2009	Kim et al. ....	715/769
2010/0146387	A1*	6/2010	Hoover .....	715/702
2011/0264764	A1*	10/2011	Kewalramani et al. ....	709/217
2012/0026105	A1*	2/2012	Cheung et al. ....	345/173
2012/0105490	A1*	5/2012	Pasquero et al. ....	345/690

## FOREIGN PATENT DOCUMENTS

JP	D1260508	1/2006
JP	D1279226	8/2006
JP	D1360014	5/2009

## OTHER PUBLICATIONS

“Samsung F700, F520, f510, f500 and f300 Ultra Smart—  
Smartphones,” Feb. 13, 2007, <http://svartlinks.blogspot.com/2007/02/Samsung-f700-f520-f510-f500-and-f300.html>.

“Meizu M8 lijkt sprekend op iPhone,” Hagen, Robert, Sep. 15, 2011, <http://gadgetzone.nl/nieuws.php?id=3296>.

“Samsung i900 Omnia,” Jun. 2008, [http://www.gsmarena.com/samsung\\_i900\\_omnia-2422.php](http://www.gsmarena.com/samsung_i900_omnia-2422.php).

\* cited by examiner

