



US00D676861S

(12) **United States Design Patent**
Ho Kushner et al.

(10) **Patent No.:** **US D676,861 S**
(45) **Date of Patent:** **** Feb. 26, 2013**

(54) **DISPLAY SCREEN WITH ANIMATED GRAPHICAL USER INTERFACE**

(75) Inventors: **Moneta K Ho Kushner**, Bellevue, WA (US); **Michael Gilmore**, Bothell, WA (US)

(73) Assignee: **Microsoft Corporation**, Redmond, WA (US)

(**) Term: **14 Years**

(21) Appl. No.: **29/410,305**

(22) Filed: **Jan. 6, 2012**

(51) **LOC (9) Cl.** **14-02**

(52) **U.S. Cl.** **D14/486**

(58) **Field of Classification Search** D14/485-495;
715/700-867

See application file for complete search history.

(56) **References Cited**

U.S. PATENT DOCUMENTS

D522,525 S	6/2006	Melander	
D522,529 S	6/2006	Gibson	
D562,336 S	2/2008	Salunkhe	
D562,337 S	2/2008	Keohane	
D562,338 S	2/2008	Keohane	
D593,577 S	6/2009	Baurmann	
D596,644 S	7/2009	Jonasson	
D599,377 S	9/2009	Jewitt	
D613,747 S	4/2010	Jonasson	
D614,191 S	4/2010	Takano	
D627,361 S *	11/2010	Lew et al.	D14/485
D627,791 S *	11/2010	Lamb et al.	D14/489
D638,844 S	5/2011	Woods	
D638,846 S	5/2011	Woods	

D639,306 S	6/2011	Woods	
8,035,657 B2	10/2011	Vau	
D656,953 S *	4/2012	Knudsen et al.	D14/489
D657,375 S *	4/2012	Kim et al.	D14/486
D659,708 S *	5/2012	Amos	D14/489
D663,740 S *	7/2012	Gleasant et al.	D14/486
D664,550 S *	7/2012	Lee et al.	D14/485
D664,967 S *	8/2012	Lee et al.	D14/485
D664,975 S *	8/2012	Arnold	D14/487
D665,395 S *	8/2012	Lee et al.	D14/485
2007/0209023 A1 *	9/2007	Nakagawa et al.	715/838
2008/0010585 A1 *	1/2008	Schneider et al.	715/201
2010/0180222 A1 *	7/2010	Otsuka et al.	715/768
2011/0126148 A1	5/2011	Krishnaraj	
2011/0126156 A1	5/2011	Krishnaraj	

* cited by examiner

Primary Examiner — Deanna L Fluegeman

(74) *Attorney, Agent, or Firm* — Banner & Whitcoff Ltd.

(57) **CLAIM**

The ornamental design for a display screen with animated graphical user interface, as shown and described.

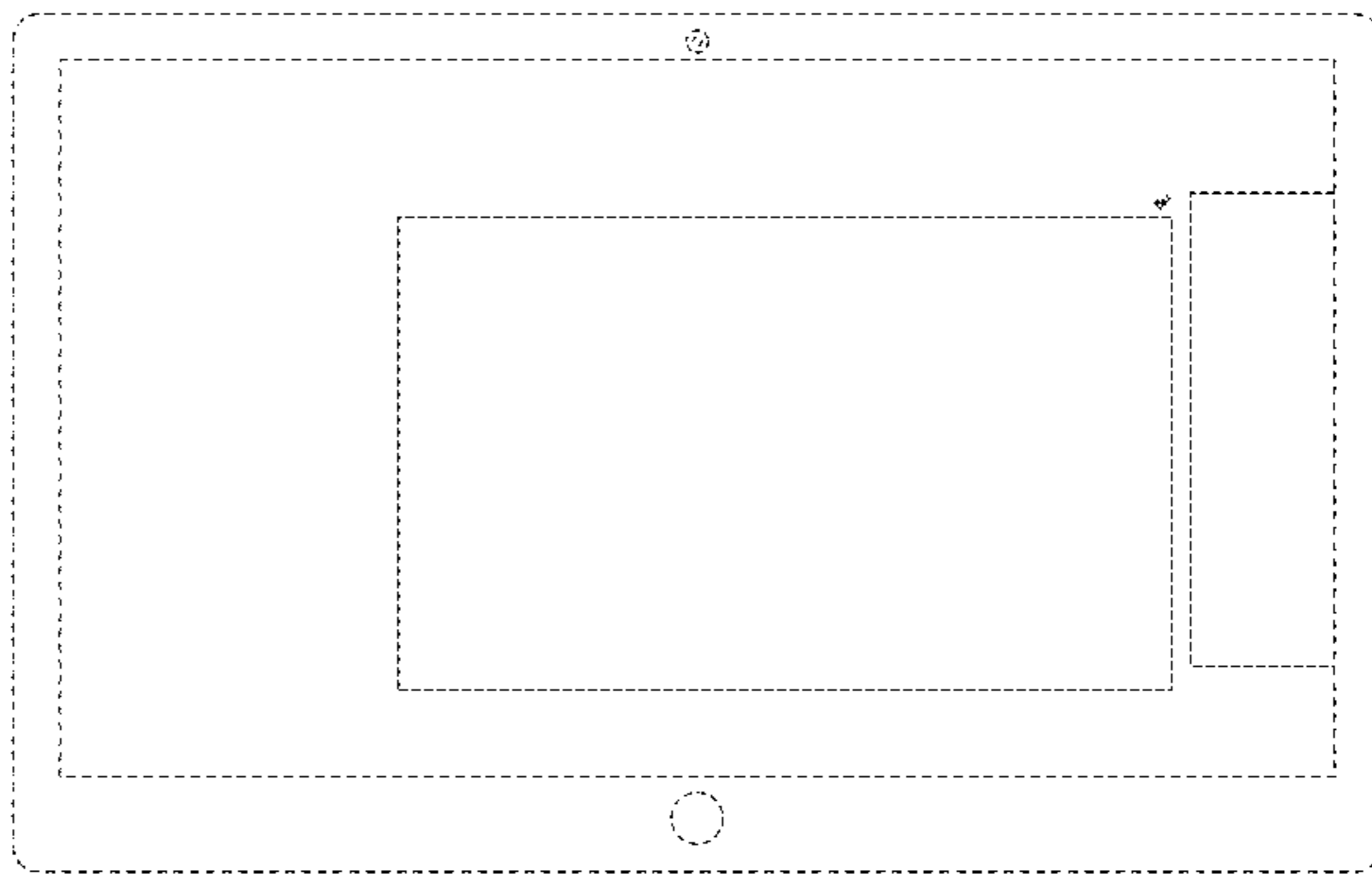
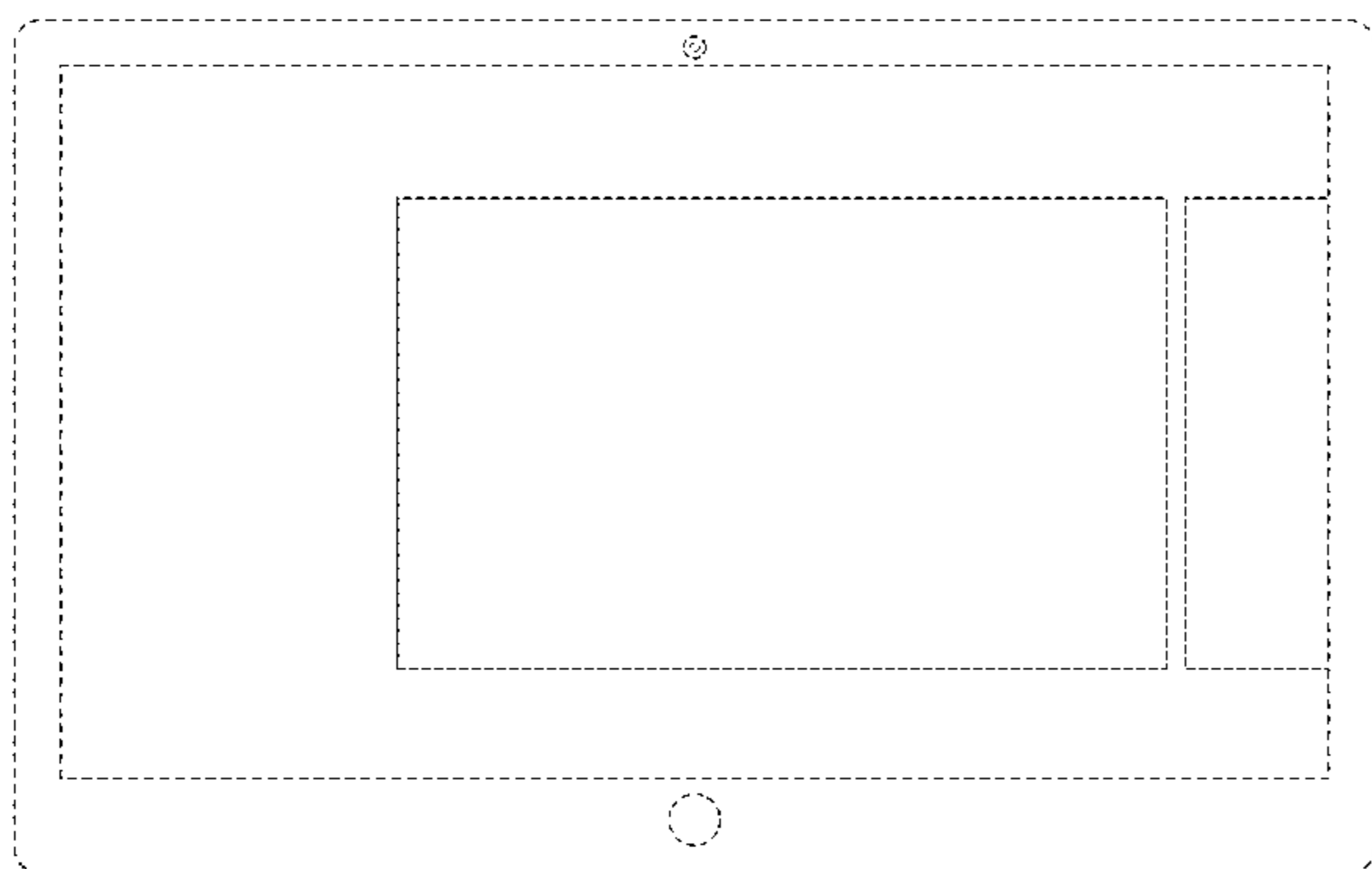
DESCRIPTION

FIG. 1 is the first image in a sequence for a display screen with animated graphical user interface showing the new design; FIG. 2 is the second image thereof; FIG. 3 is the third image thereof; and, FIG. 4 is the fourth image thereof.

The appearance of the transitional image sequentially transitions between the images shown in FIGS. 1-4. The process or period in which one image transitions to another image forms no part of the claimed design.

The broken line showing of the display screen illustrates the environment of the claimed design and forms no part thereof.

1 Claim, 4 Drawing Sheets



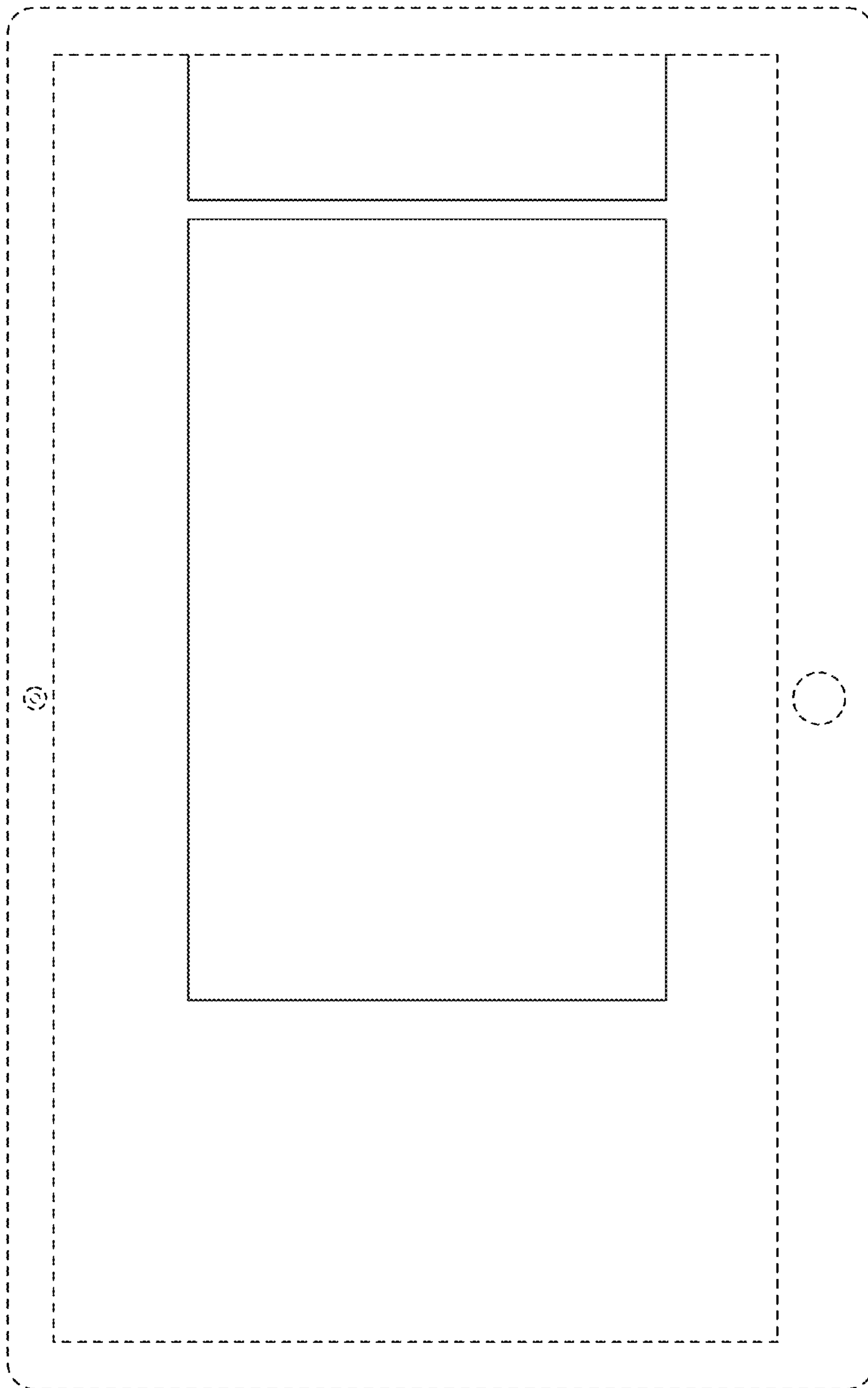


FIG. 1

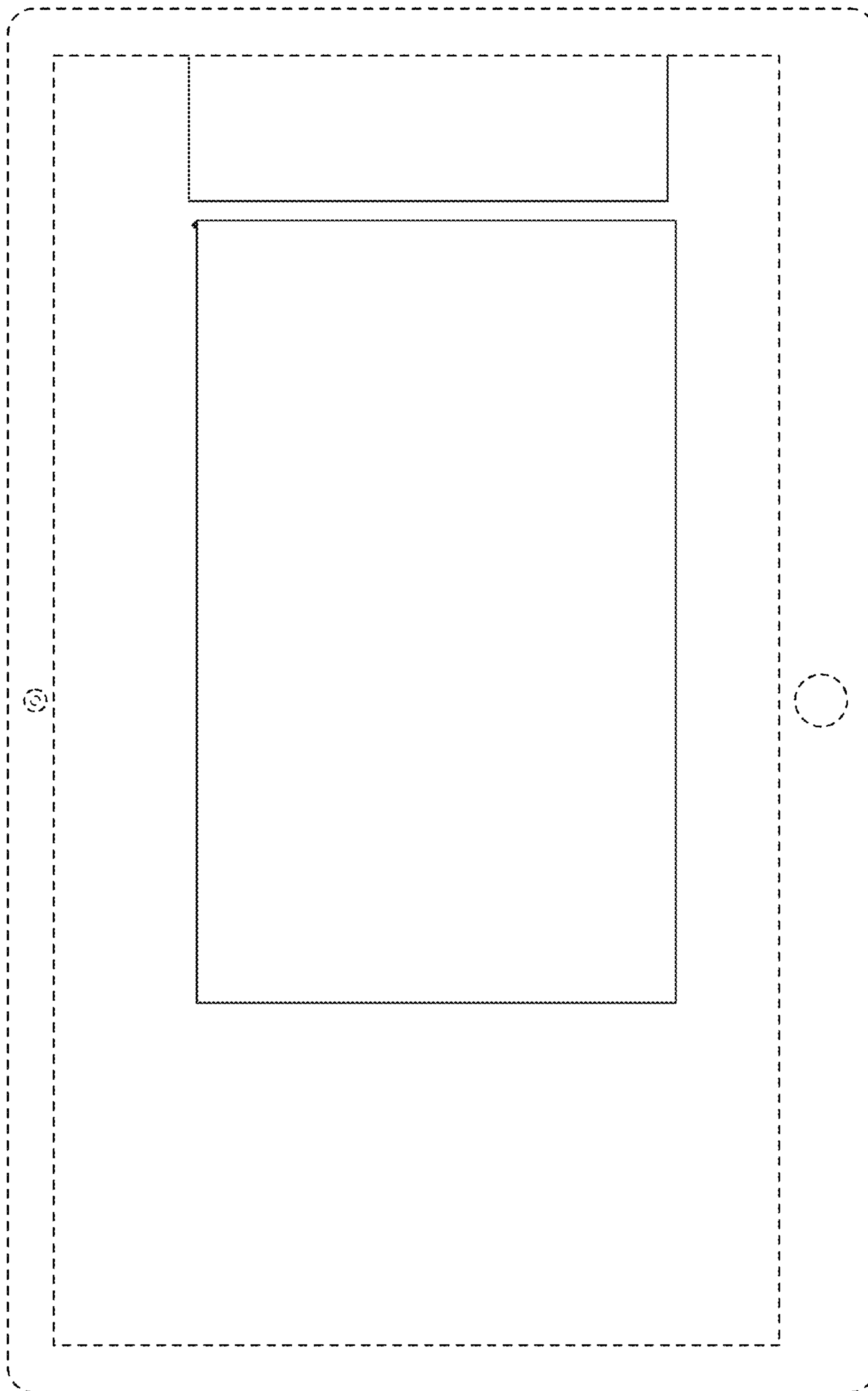


FIG. 2

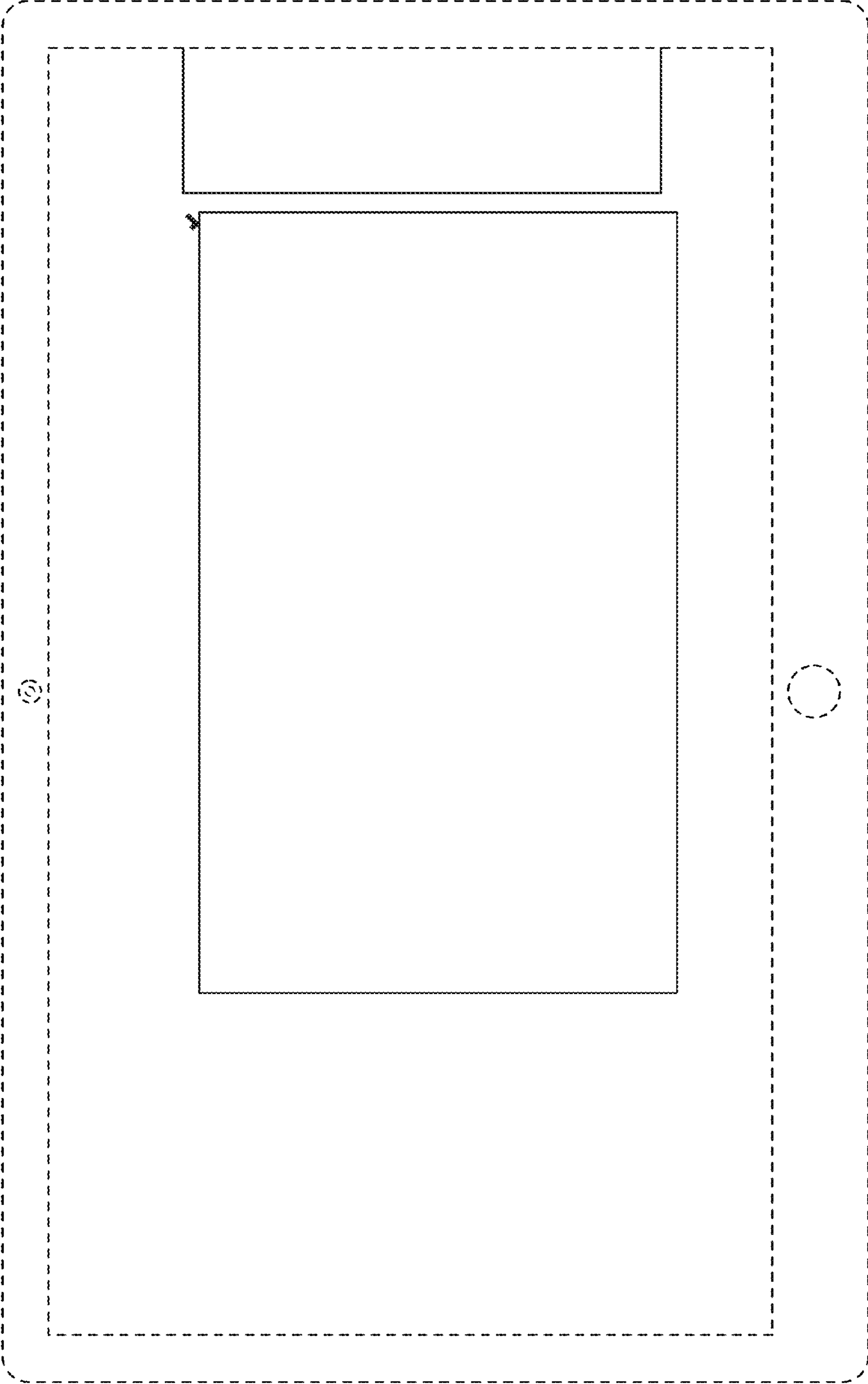


FIG. 3

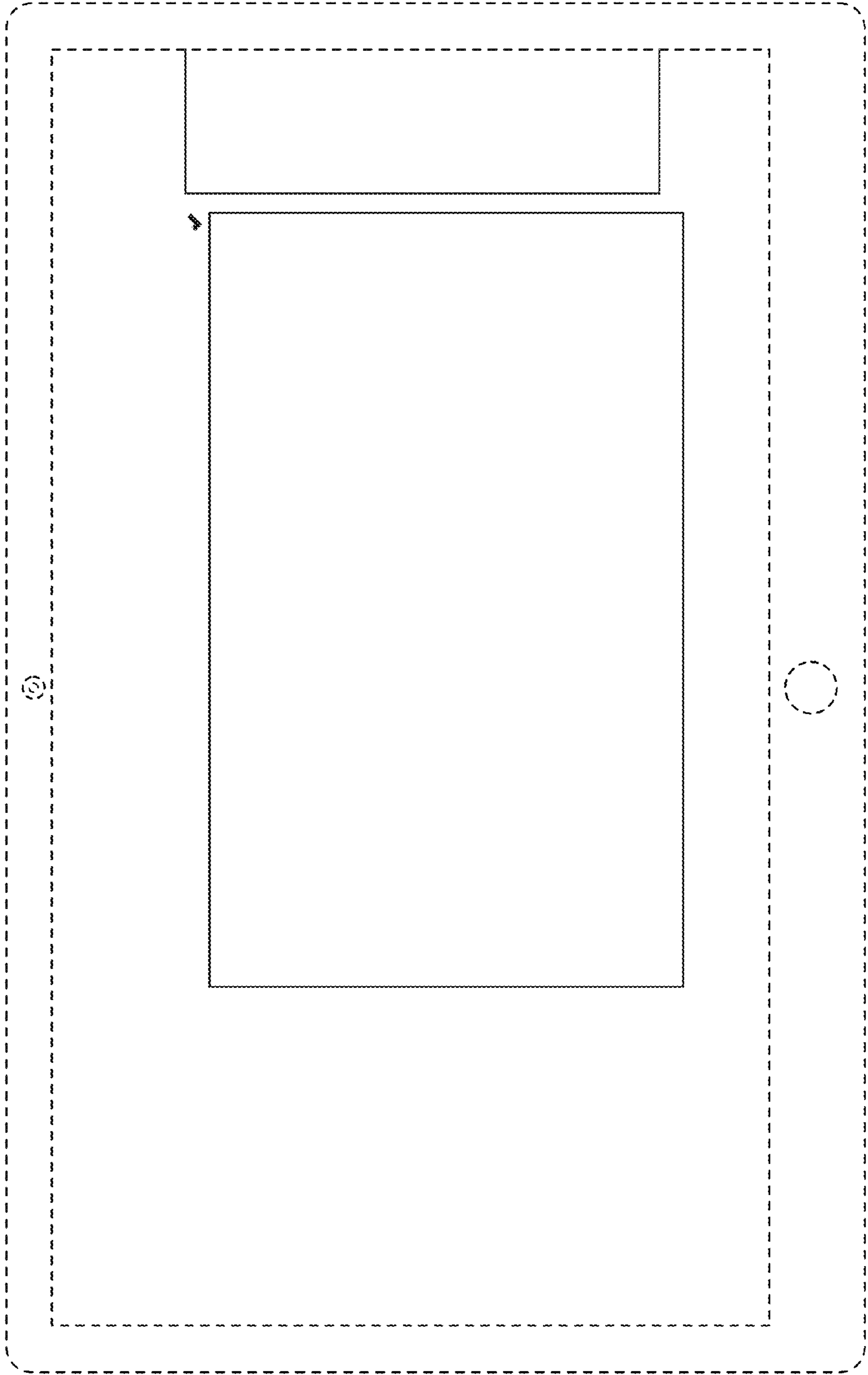


FIG. 4