

US00D676858S

(12) **United States Design Patent**  
**Inose et al.**

(10) **Patent No.:** **US D676,858 S**

(45) **Date of Patent:** **\*\* Feb. 26, 2013**

(54) **DISPLAY SCREEN OR PORTION THEREOF WITH GRAPHICAL USER INTERFACE**

(75) Inventors: **Mikio Inose**, Cupertino, CA (US);  
**Marcel van Os**, San Francisco, CA (US)

(73) Assignee: **Apple Inc.**, Cupertino, CA (US)

(\*\*) Term: **14 Years**

(21) Appl. No.: **29/368,996**

(22) Filed: **Sep. 1, 2010**

(51) **LOC (9) Cl.** ..... **14-04**

(52) **U.S. Cl.** ..... **D14/486**

(58) **Field of Classification Search** ..... D14/485-95;  
D18/24-33; D19/6, 52; D20/11; D21/324-33;  
715/700-867, 973-77; D11/74, 165; D5/7,  
D5/34, 40

See application file for complete search history.

(56) **References Cited**

U.S. PATENT DOCUMENTS

D142,541 S *	10/1945	Zellweger	.....	D5/7
4,018,182 A *	4/1977	Knaack	.....	116/173
D393,489 S *	4/1998	Tobor	.....	D20/41
D471,227 S	3/2003	Gray		
D489,291 S *	5/2004	Barelli	.....	D11/165
D584,363 S *	1/2009	Gordon	.....	D20/43
D593,110 S	5/2009	Danton		
D594,021 S *	6/2009	Ball et al.	.....	D14/486
D599,370 S *	9/2009	Murchie et al.	.....	D14/485
D607,466 S	1/2010	Prater et al.		
D608,366 S	1/2010	Matas		
D610,161 S	2/2010	Matas		
D616,450 S *	5/2010	Simons et al.	.....	D14/486
D621,845 S	8/2010	Anzures et al.		
D624,555 S	9/2010	Anzures		
D624,556 S	9/2010	Chaudhri		
D626,134 S	10/2010	Chaudhri		
D628,206 S	11/2010	Lemay		

D633,920 S *	3/2011	Luke et al.	.....	D14/488
D640,266 S *	6/2011	Furuya et al.	.....	D14/486
D643,436 S	8/2011	Lemay		
D643,437 S	8/2011	Chaudhri		
D648,736 S	11/2011	Chaudhri		
2007/0186186 A1	8/2007	Both et al.		

OTHER PUBLICATIONS

Corel Gallery 2 catalog, Corel Corporation, BORDS188.CMX, B43.\*

U.S. Appl. No. 29/281,460, Inventors Anzures et al., filed Jun. 23, 2007 (Not Published).

U.S. Appl. No. 29/281,695, Inventors Anzures et al., filed Jun. 28, 2007 (Not Published).

U.S. Appl. No. 29/354,643, Inventors Anzures et al., filed Jan. 27, 2010 (Not Published).

U.S. Appl. No. 29/368,997, Inventors Chaudhri et al., filed Sep. 1, 2010 (Not Published).

U.S. Appl. No. 29/369,061, Inventors Chaudhri et al., filed Sep. 1, 2010 (Not Published).

\* cited by examiner

*Primary Examiner* — Melanie H Tung

(74) *Attorney, Agent, or Firm* — Sterne, Kessler, Goldstein & Fox PLLC

(57) **CLAIM**

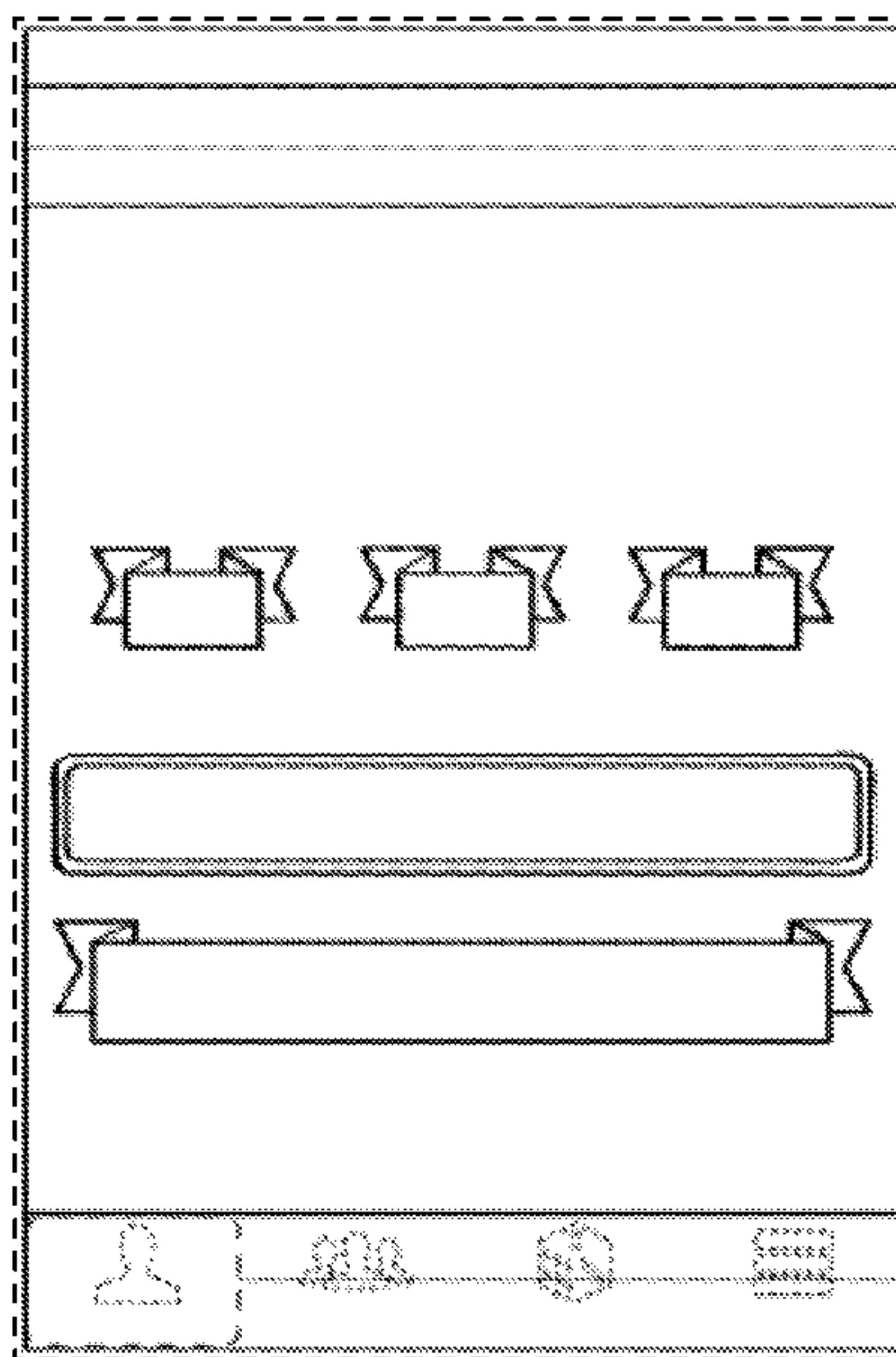
The ornamental design for a display screen or portion thereof with graphical user interface, as shown and described.

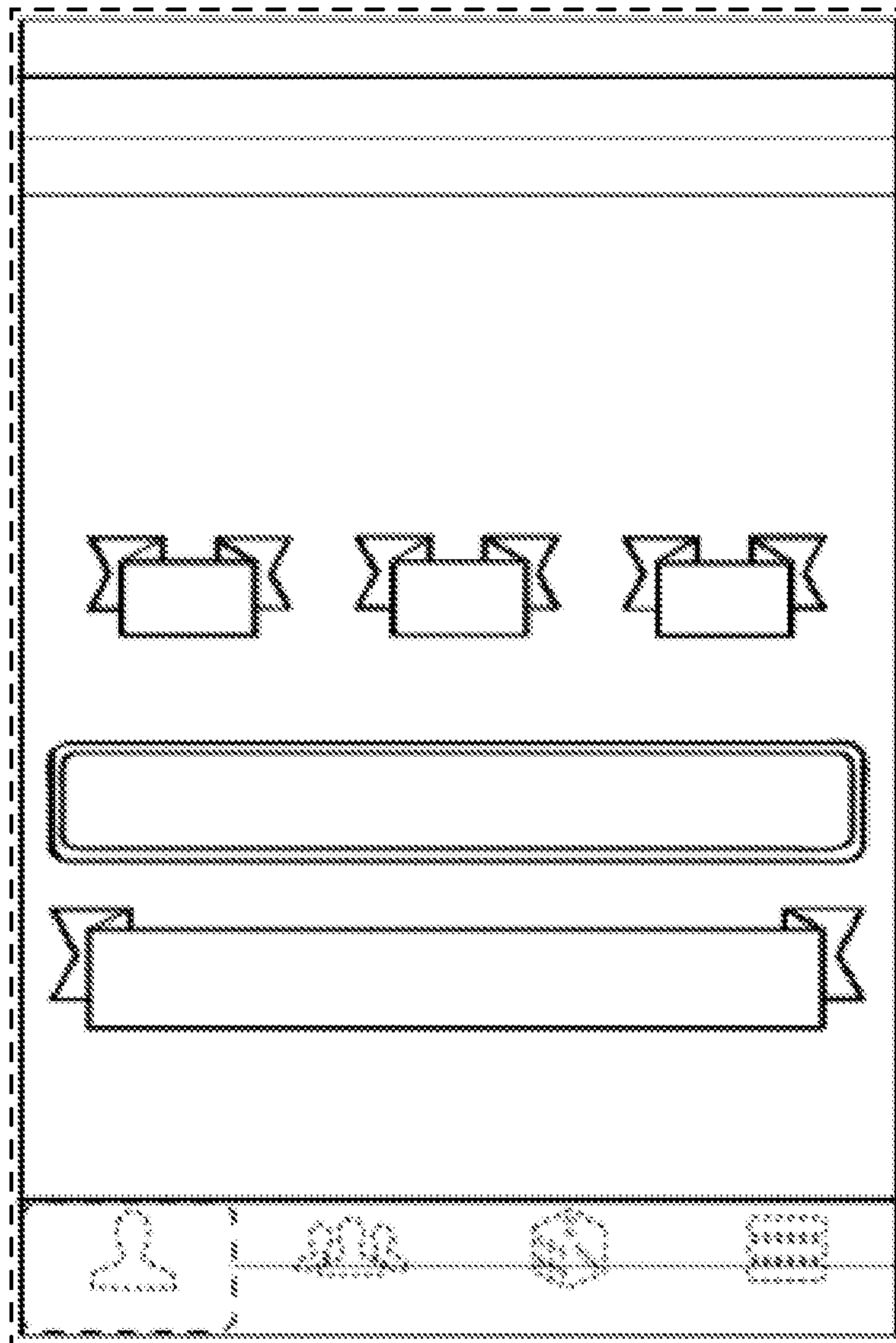
**DESCRIPTION**

FIG. 1 is a front view of a display screen or portion thereof with graphical user interface showing our new design; and, FIG. 2 is a front view of a second embodiment thereof.

The broken line showing of a display screen or portion thereof forms no part of the claimed design. The broken line showing of the graphical elements within the graphical user interface forms no part of the claimed design.

**1 Claim, 2 Drawing Sheets**





**FIG. 1**

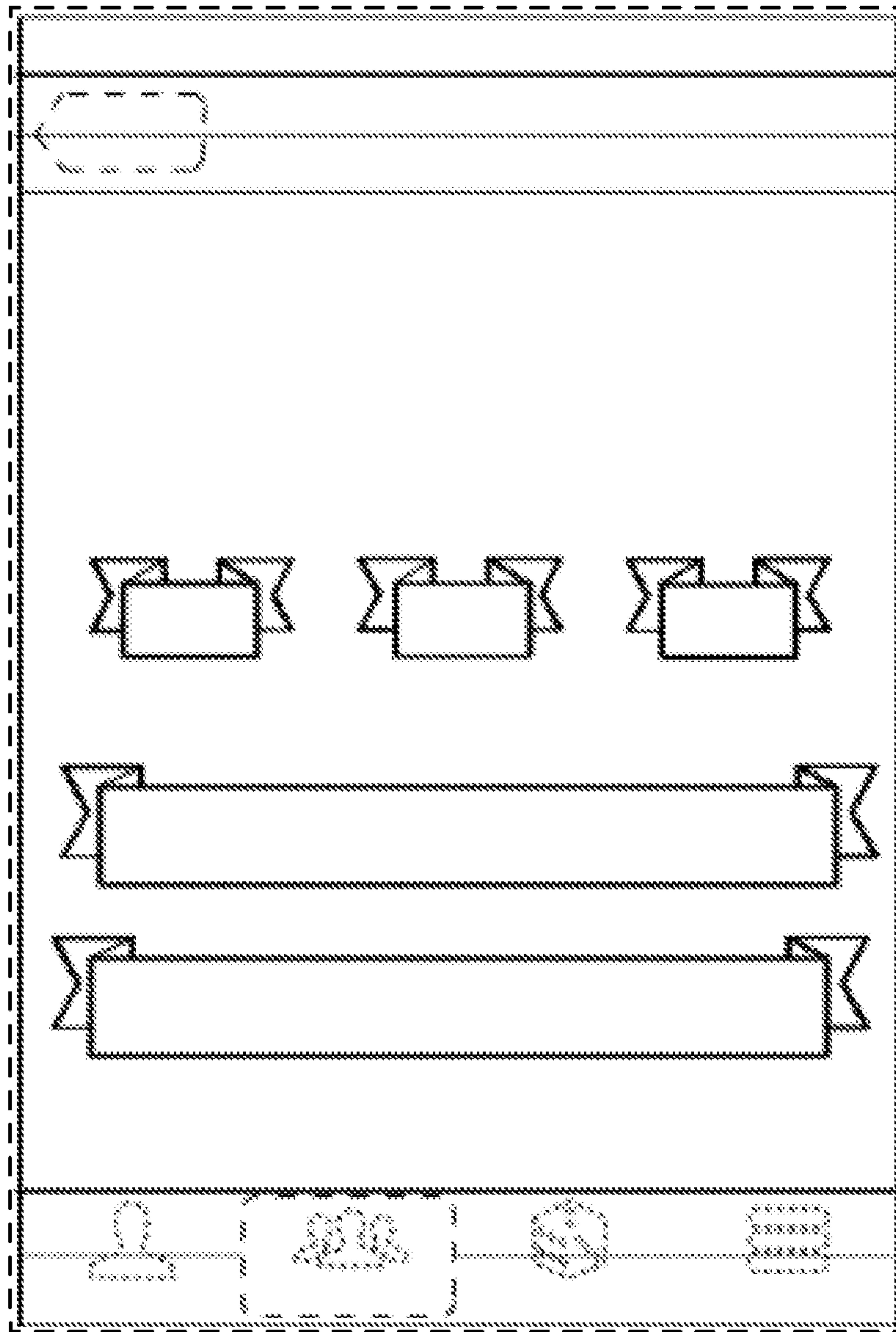


FIG. 2