



US00D676855S

(12) **United States Design Patent**
Yoo et al.

(10) **Patent No.:** **US D676,855 S**
(45) **Date of Patent:** **** Feb. 26, 2013**

(54) **COVER ASSEMBLY**

(75) Inventors: **Hyun Yoo**, Grand Rapids, MI (US);
Brett Kincaid, Ada, MI (US); **Mark Spoelhof**, Grand Rapids, MI (US)

(73) Assignee: **Steelcase Inc.**, Grand Rapids, MI (US)

(**) Term: **14 Years**

(21) Appl. No.: **29/390,320**

(22) Filed: **Apr. 22, 2011**

(51) **LOC (9) Cl.** **14-02**

(52) **U.S. Cl.** **D14/448**

(58) **Field of Classification Search** D14/448,
D14/452, 439, 440, 447, 450, 451, 432, 457,
D14/336, 337, 339, 340, 371, 372; D6/332;
248/918, 919, 920, 921, 922, 923, 924; 348/184,
348/739, 761, 791, 825, 834, 835; 206/320
See application file for complete search history.

(56) **References Cited**

U.S. PATENT DOCUMENTS

D314,192	S	*	1/1991	Lawlor	D14/450
5,145,136	A	*	9/1992	McConnell	248/284.1
D474,162	S	*	5/2003	Kubota	D14/126
D525,794	S		8/2006	Ball et al.		
D542,296	S		5/2007	Bockheim et al.		
D550,478	S		9/2007	Glass et al.		
D568,320	S		5/2008	Katafiri et al.		
D575,774	S		8/2008	Harris et al.		
D586,792	S		2/2009	Lozano		
D589,036	S		3/2009	Unsworth		
D609,901	S		2/2010	Behar et al.		
D612,818	S		3/2010	Lents, Jr.		
D620,942	S		8/2010	Huang		
D621,840	S	*	8/2010	Buncher	D14/447
D622,275	S		8/2010	Lozano		
D623,638	S		9/2010	Richardson et al.		
D651,214	S	*	12/2011	Yoo et al.	D14/448
D651,607	S	*	1/2012	Akana et al.	D14/448
D661,311	S	*	6/2012	Akana et al.	D14/448
2003/0128503	A1	*	7/2003	Takahashi	361/681
2003/0173242	A1	*	9/2003	Fisher et al.	206/320

OTHER PUBLICATIONS

Jorgen Moller Alu-Line Trays, Feb. 7, 2009, http://replay.web.archive.org/20090207175827/http://www.bonluxat.com/a/Jorgen_Moller_Al-Line_Trays.html.

* cited by examiner

Primary Examiner — Cynthia Ramirez

(74) *Attorney, Agent, or Firm* — Price Heneveld LLP

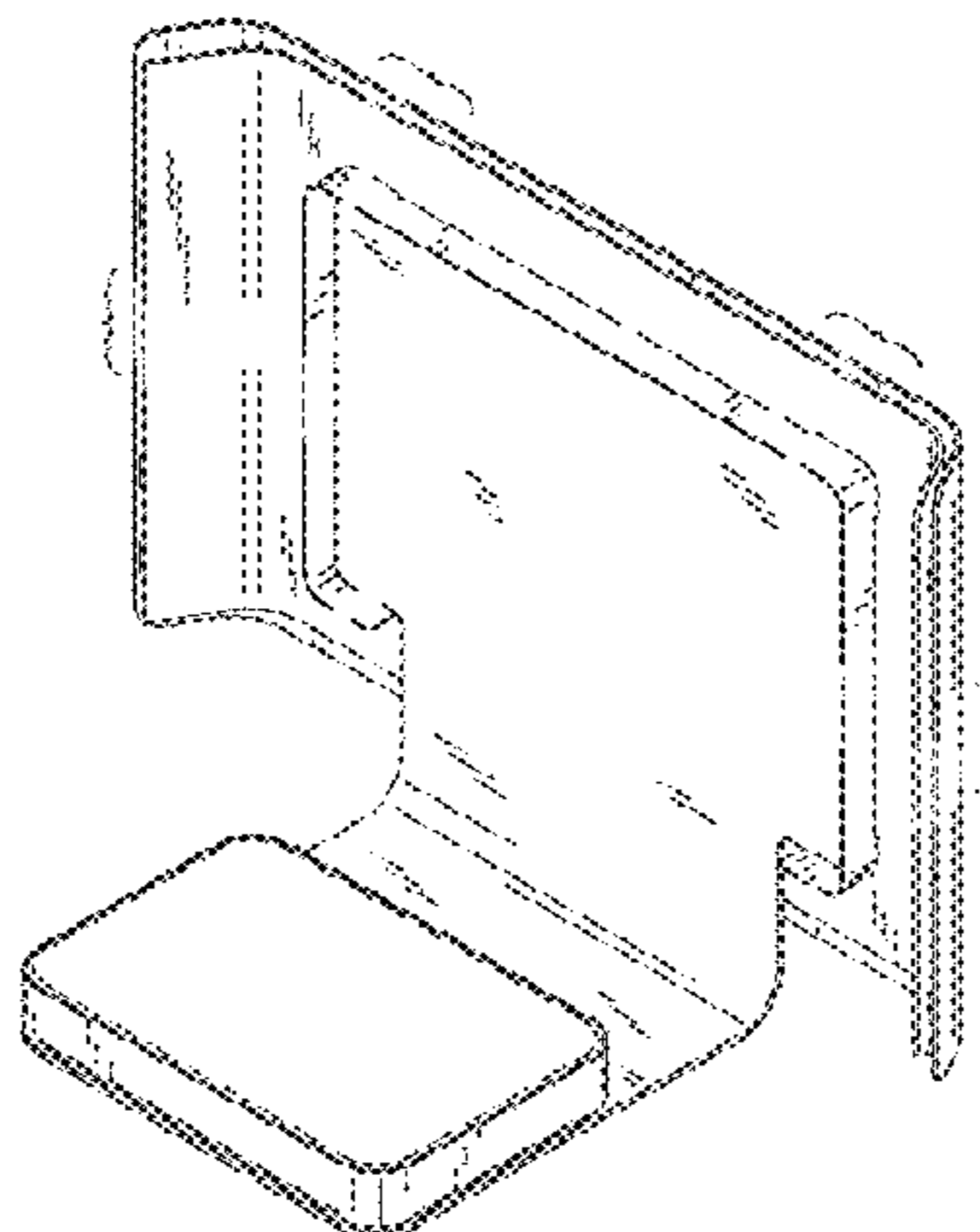
(57) **CLAIM**

The ornamental design for a cover assembly, as shown and described.

DESCRIPTION

FIG. 1 is a perspective view of a first embodiment of the cover assembly embodying the present invention;
 FIG. 2 is a first side elevational view of the first embodiment of the cover assembly shown in FIG. 1;
 FIG. 3 is a second side elevational view of the first embodiment of the cover assembly shown in FIG. 1;
 FIG. 4 is a front elevational view of the first embodiment of the cover assembly shown in FIG. 1;
 FIG. 5 is a rear elevational view of the first embodiment of the cover assembly shown in FIG. 1;
 FIG. 6 is a top plan view of the first embodiment of the cover assembly shown in FIG. 1;
 FIG. 7 is a bottom plan view of the first embodiment of the cover assembly shown in FIG. 1;
 FIG. 8 is a perspective view of a second embodiment of the cover assembly embodying the present invention;
 FIG. 9 is a first side elevational view of the second embodiment of the cover assembly shown in FIG. 1;
 FIG. 10 is a second side elevational view of the second embodiment of the cover assembly shown in FIG. 1;
 FIG. 11 is a front elevational view of the second embodiment of the cover assembly shown in FIG. 1;
 FIG. 12 is a rear elevational view of the second embodiment of the cover assembly shown in FIG. 1;
 FIG. 13 is a top plan view of the second embodiment of the cover assembly shown in FIG. 1; and,
 FIG. 14 is a bottom plan view of the second embodiment of the cover assembly shown in FIG. 1.
 Dashed lines and broken lines are for the purposes of illustrating environment structure, and form no part of the claimed design.
 The broken away portions shown in the center and top and bottom of the cover assembly indicate that no specific height and length is claimed, and the broken lines form no part of the claimed design.

1 Claim, 8 Drawing Sheets



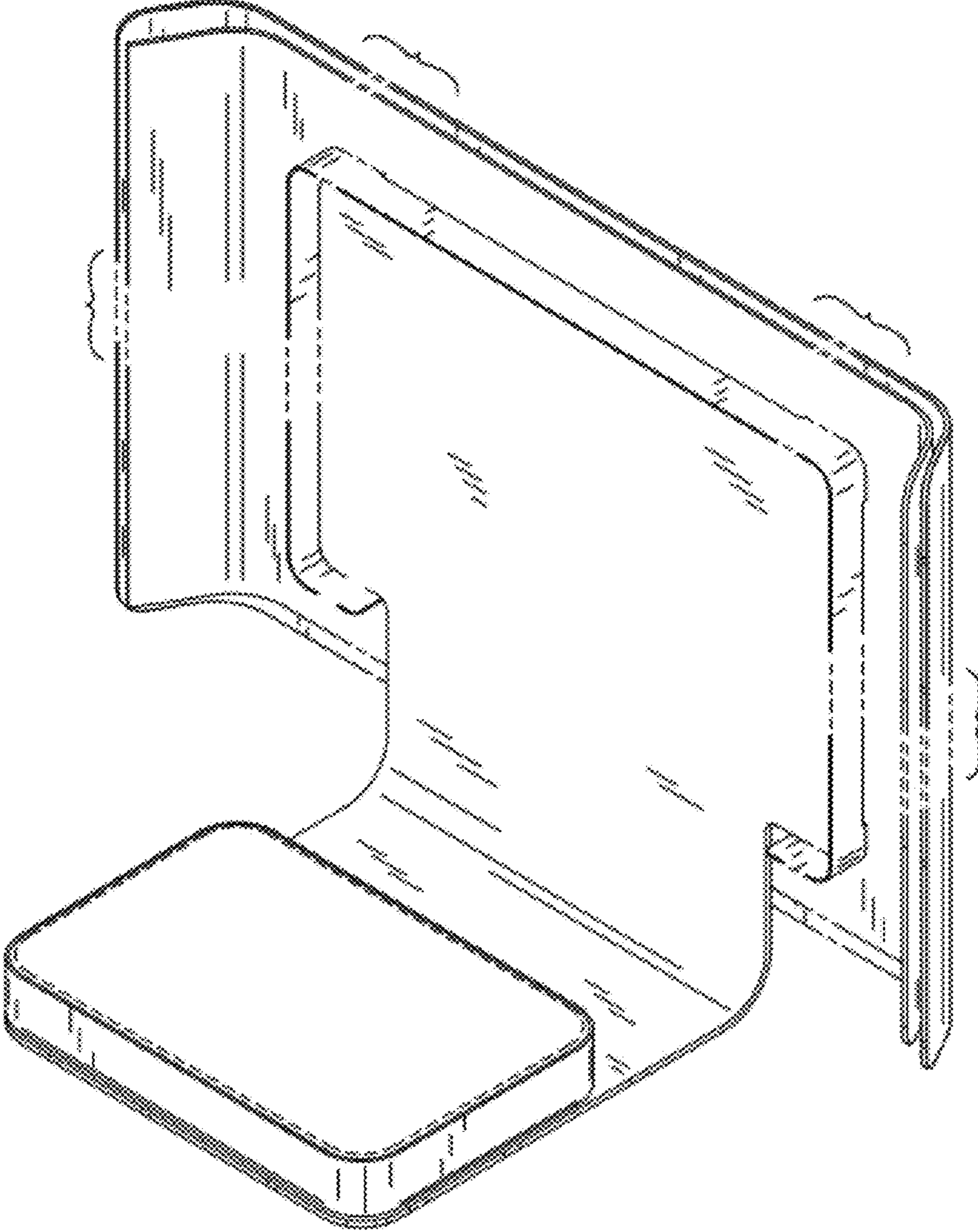
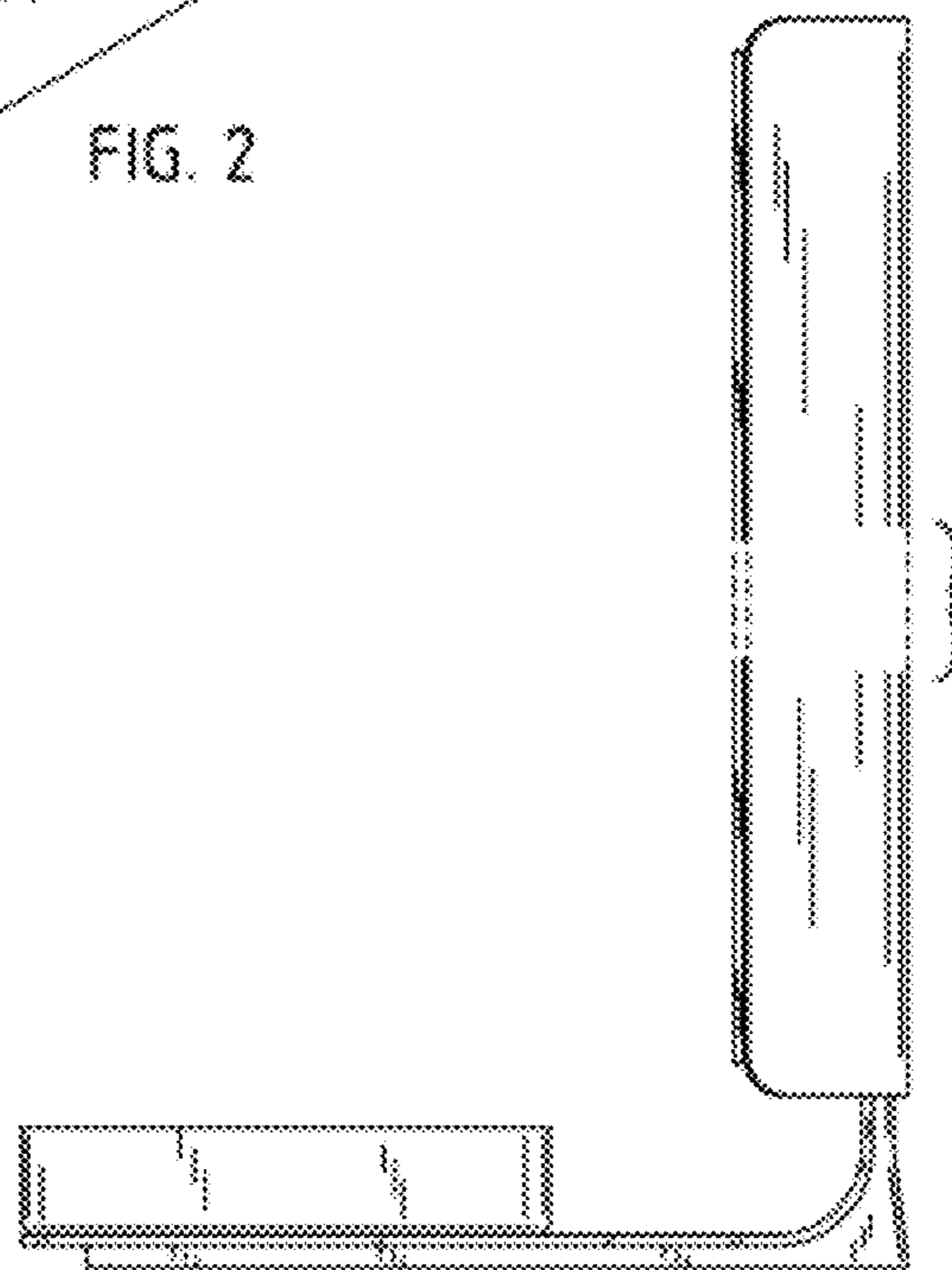
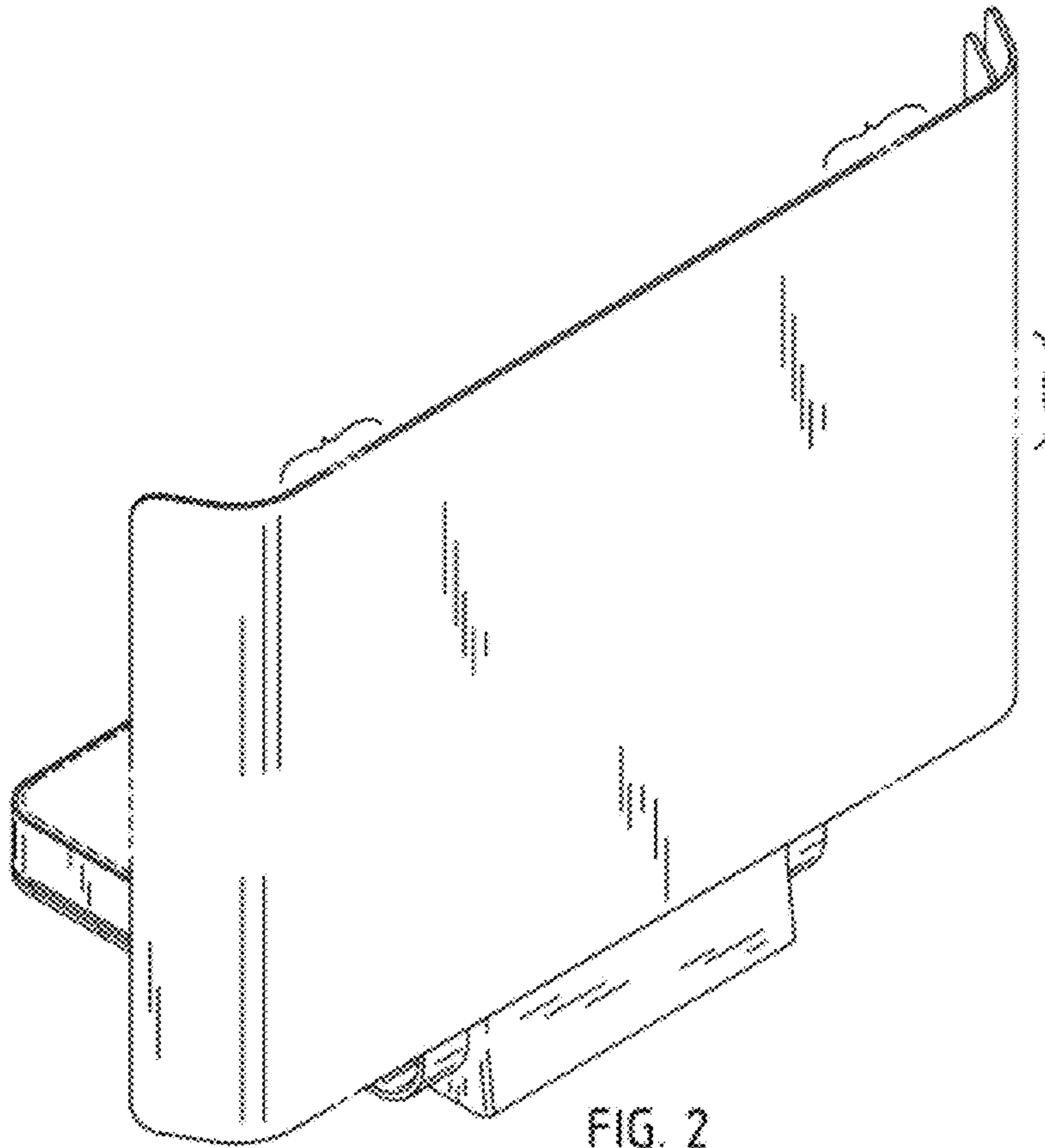


FIG. 1



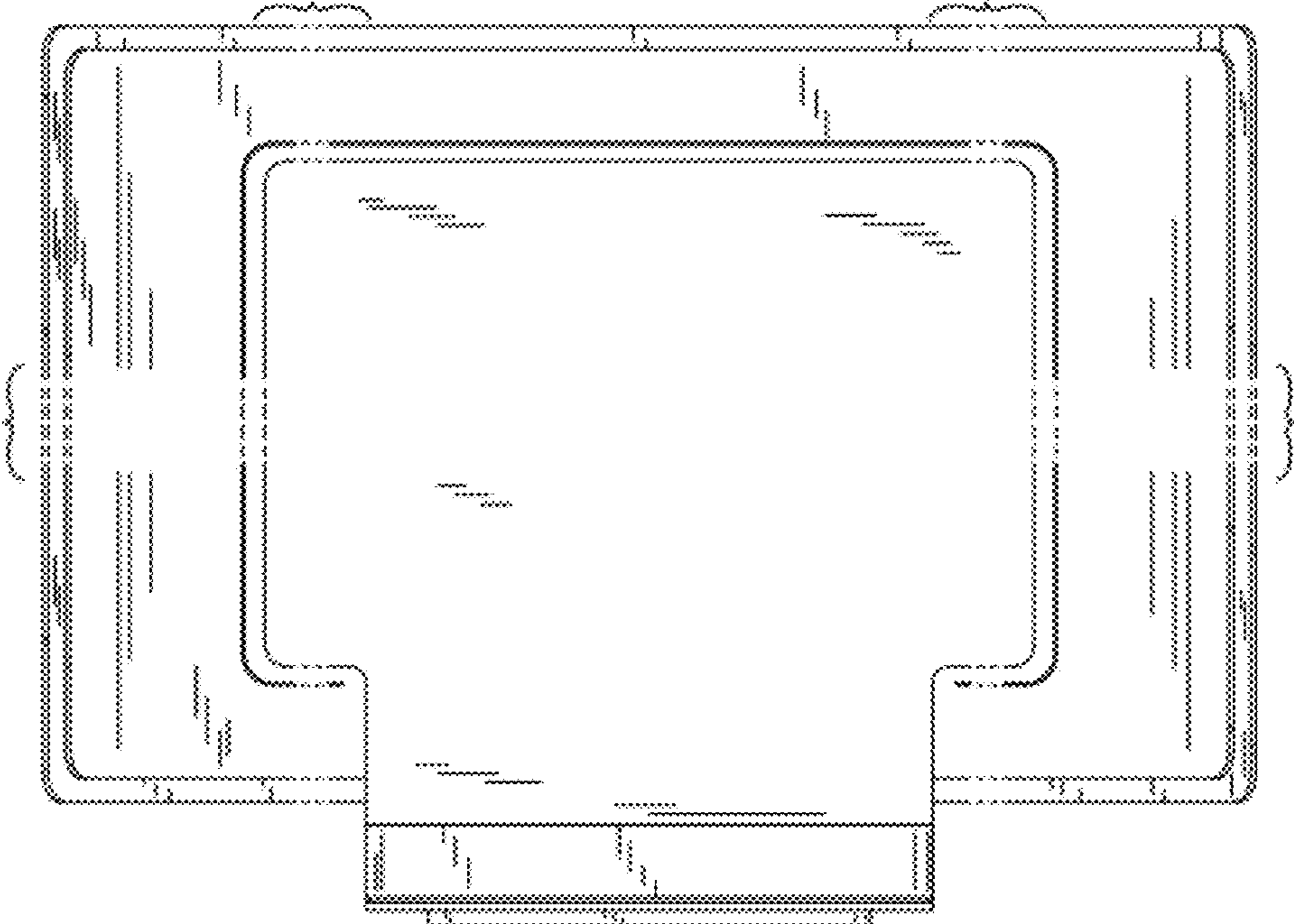


FIG. 4

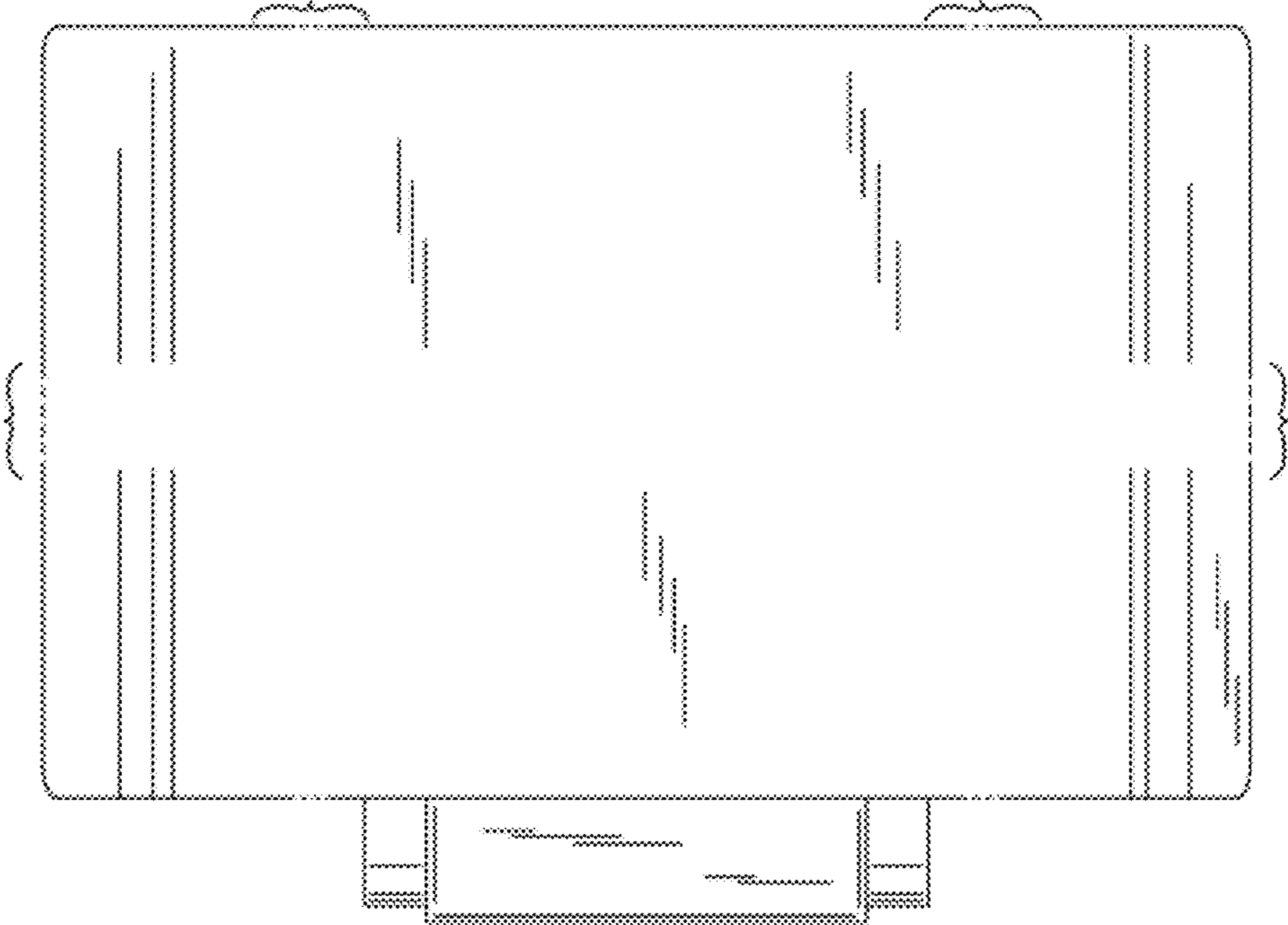


FIG. 5

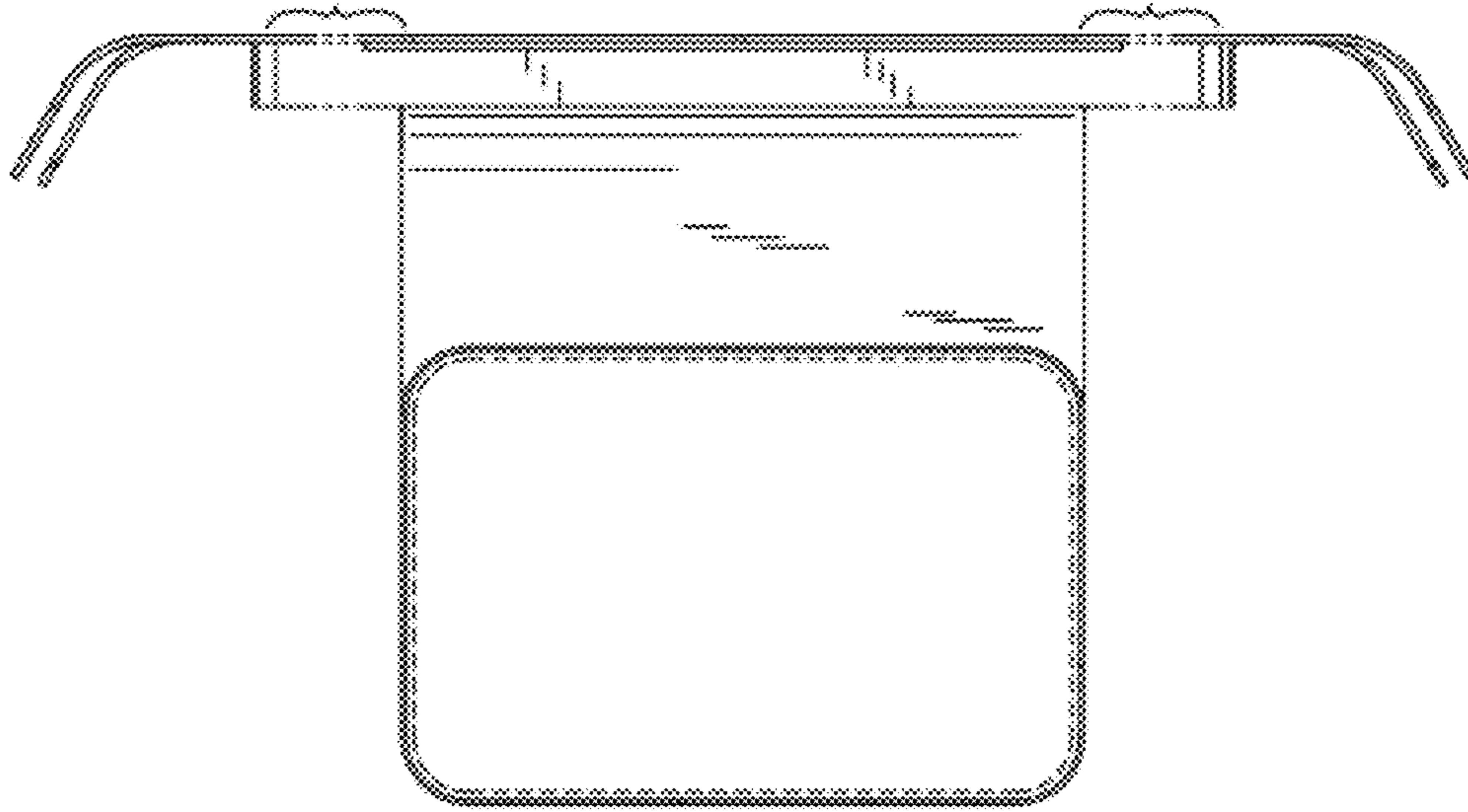


FIG. 6

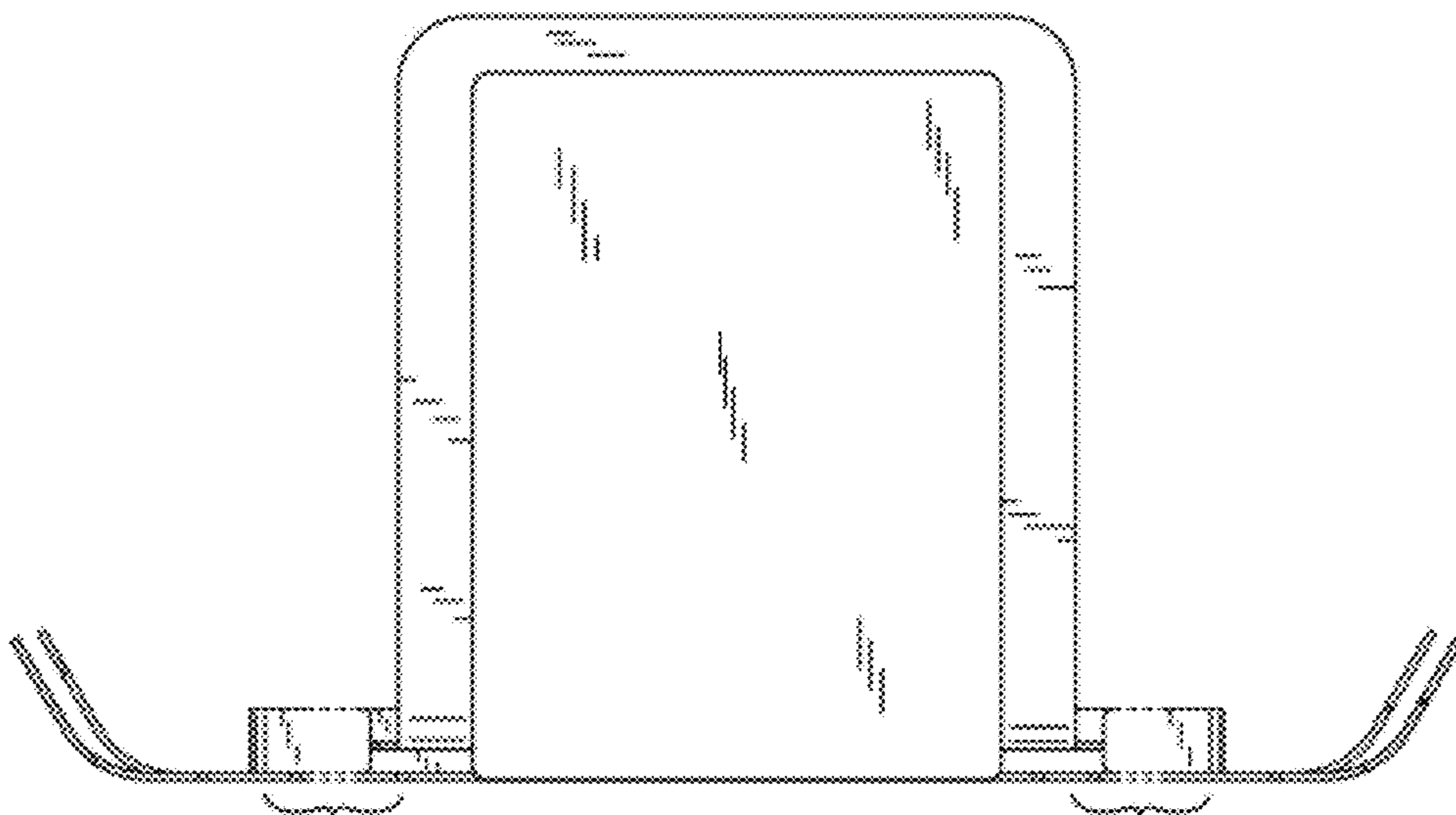


FIG. 7

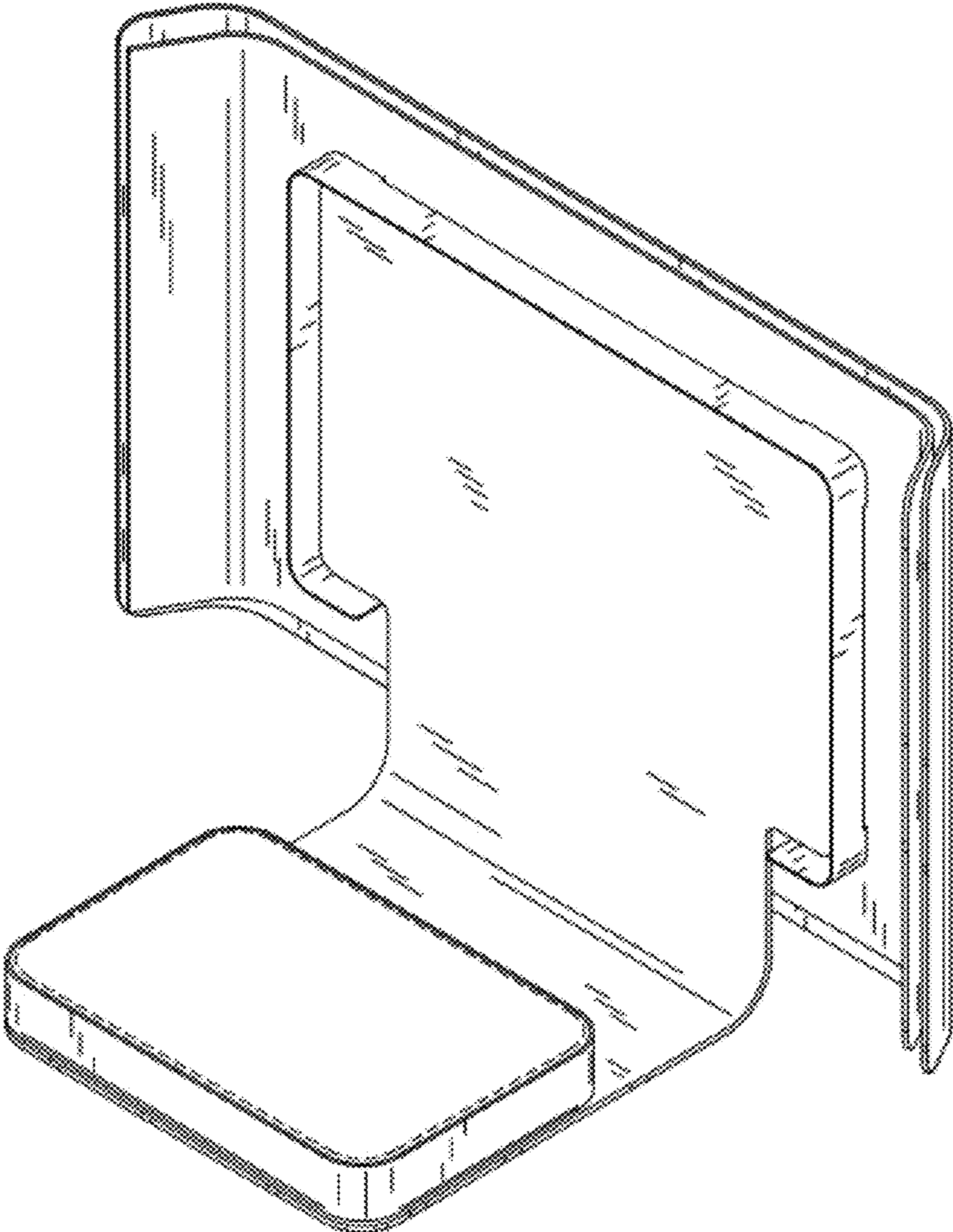


FIG. 8

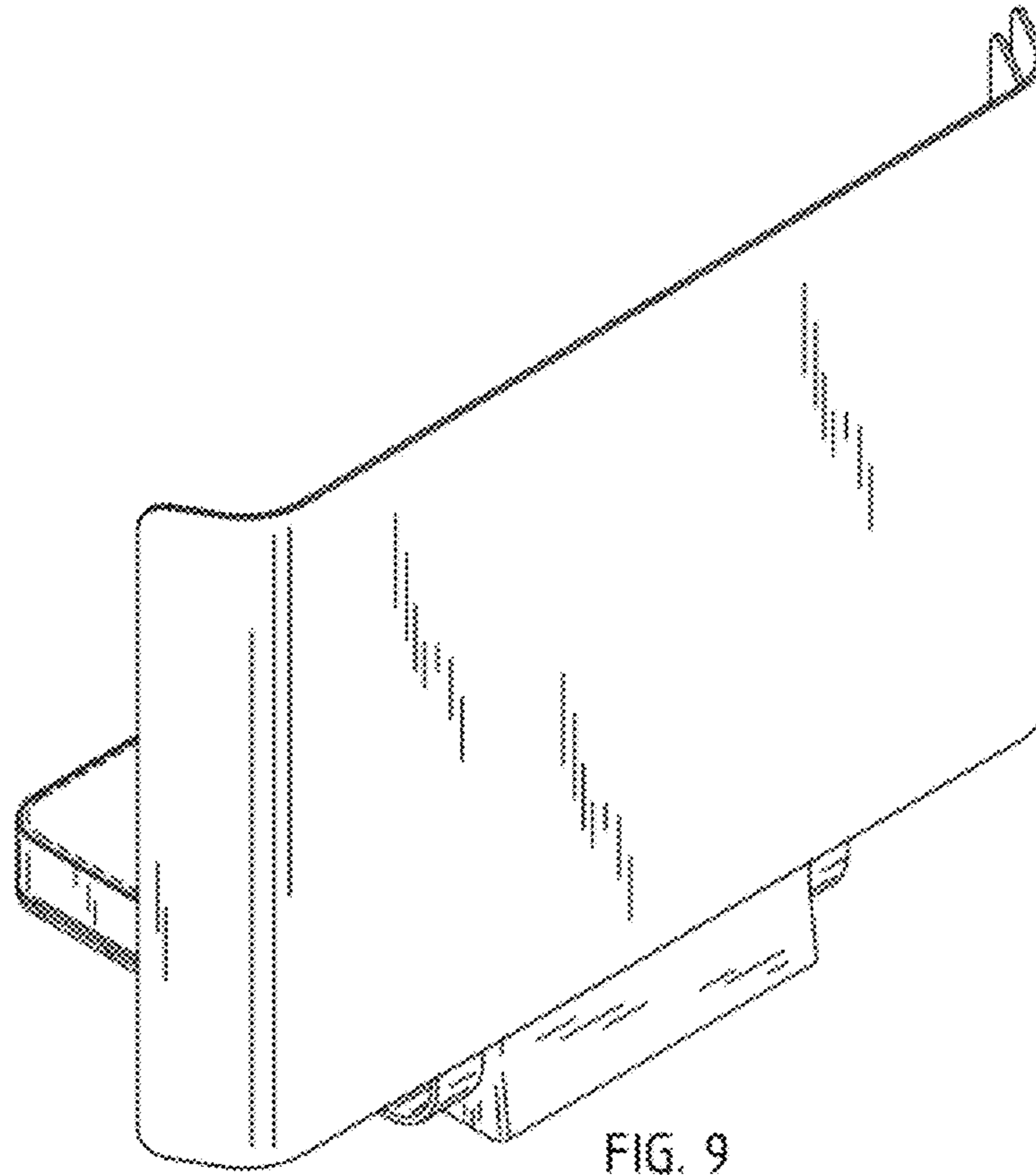


FIG. 9

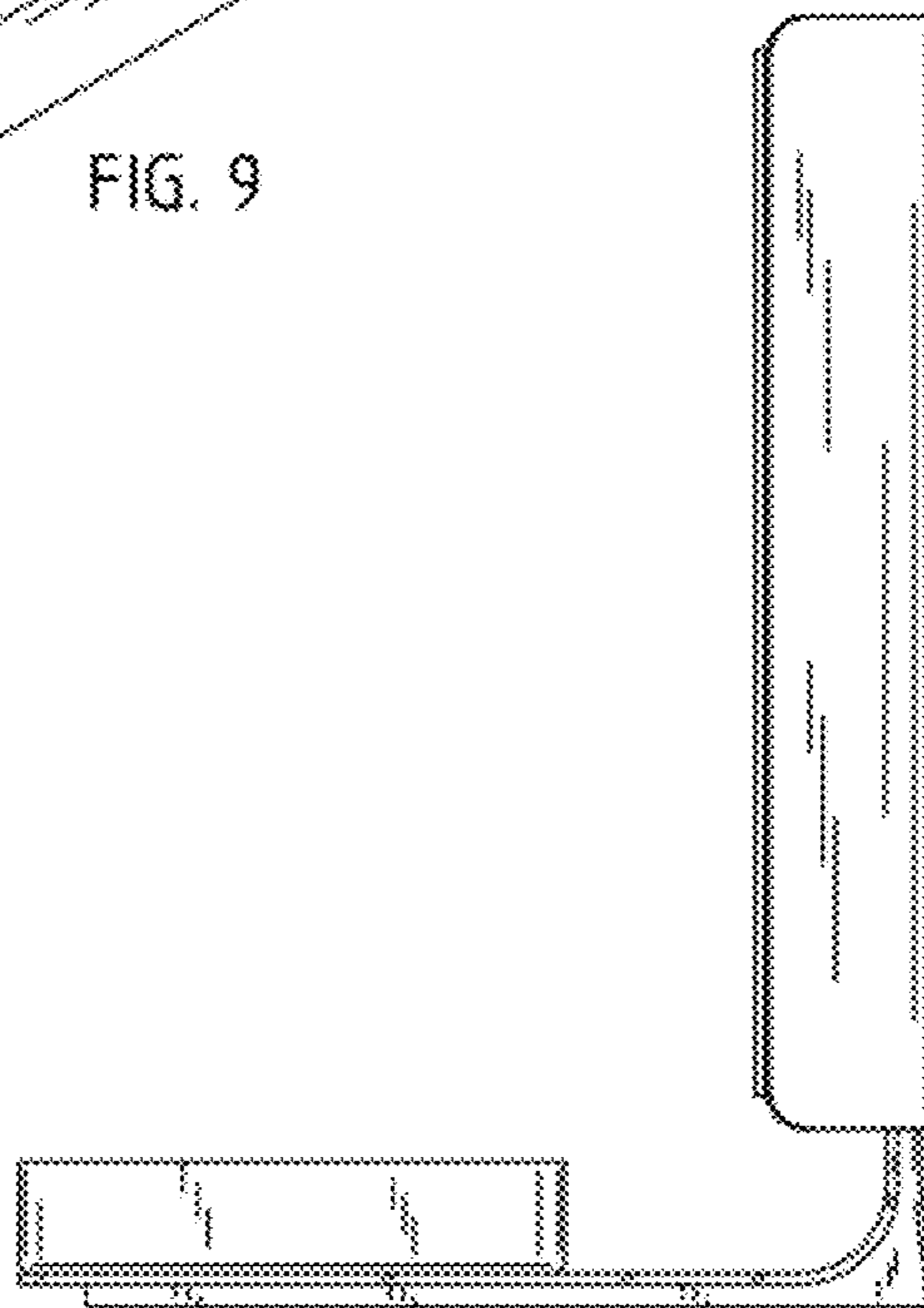


FIG. 10

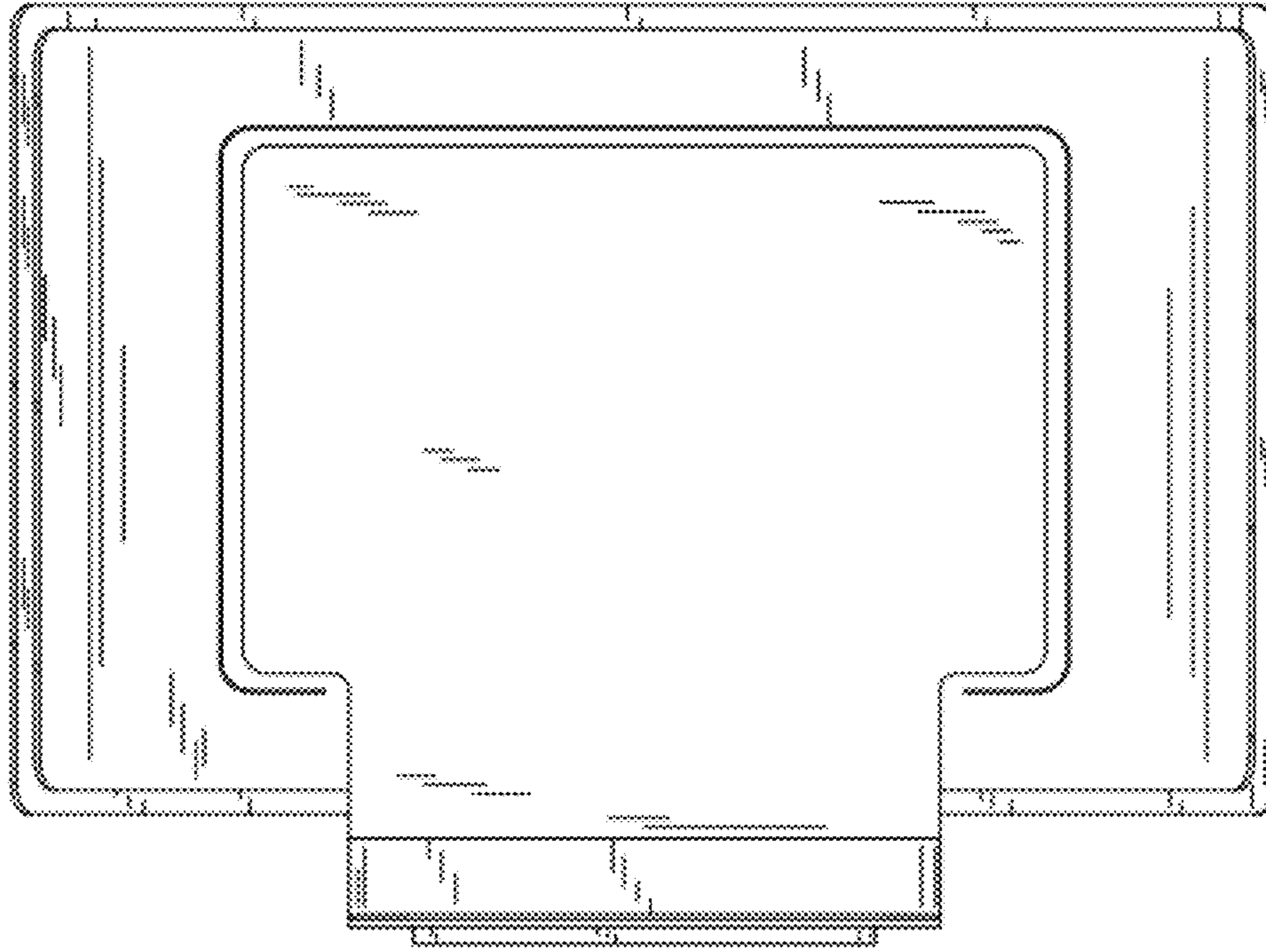


FIG. 11

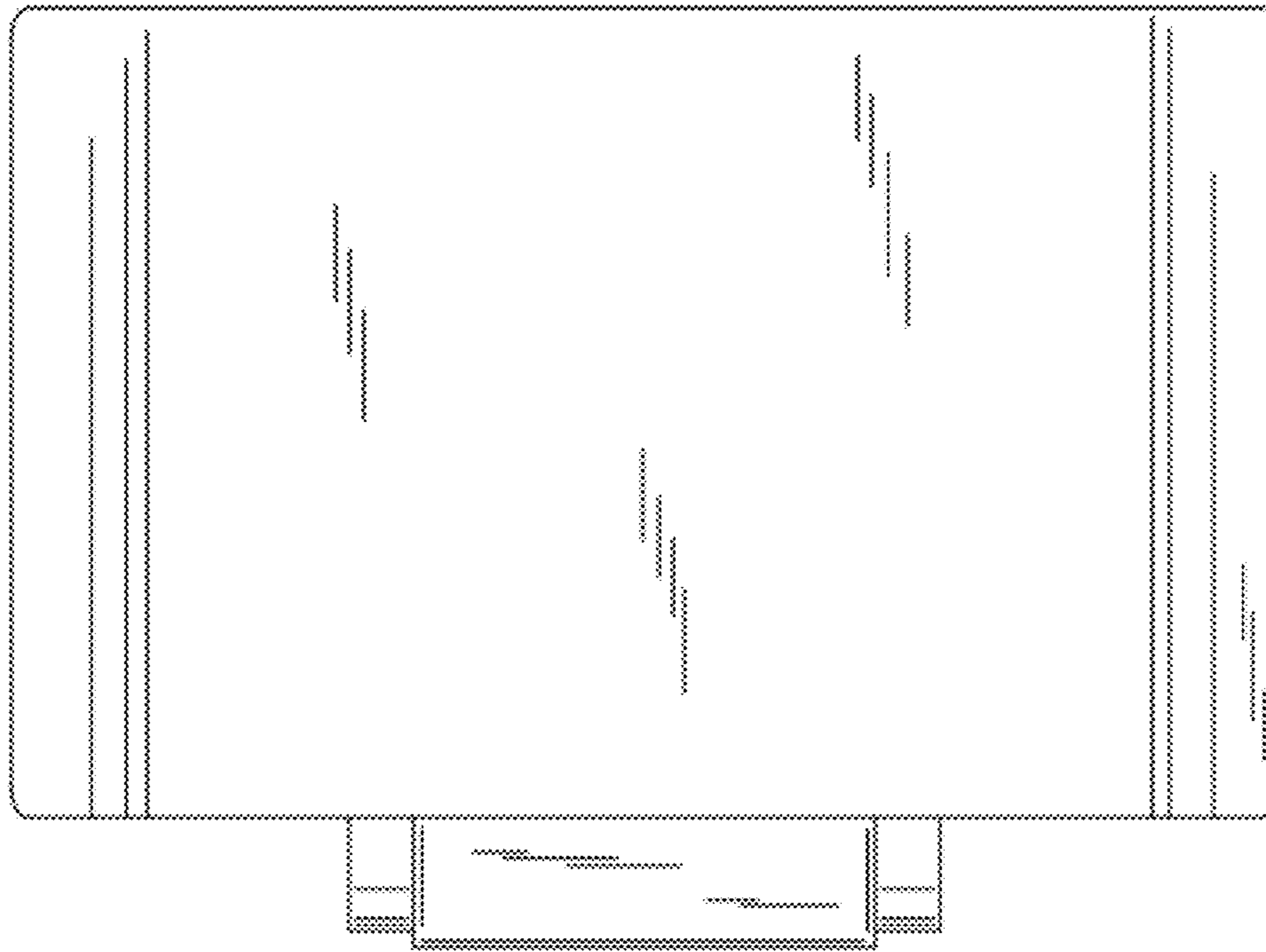


FIG. 12

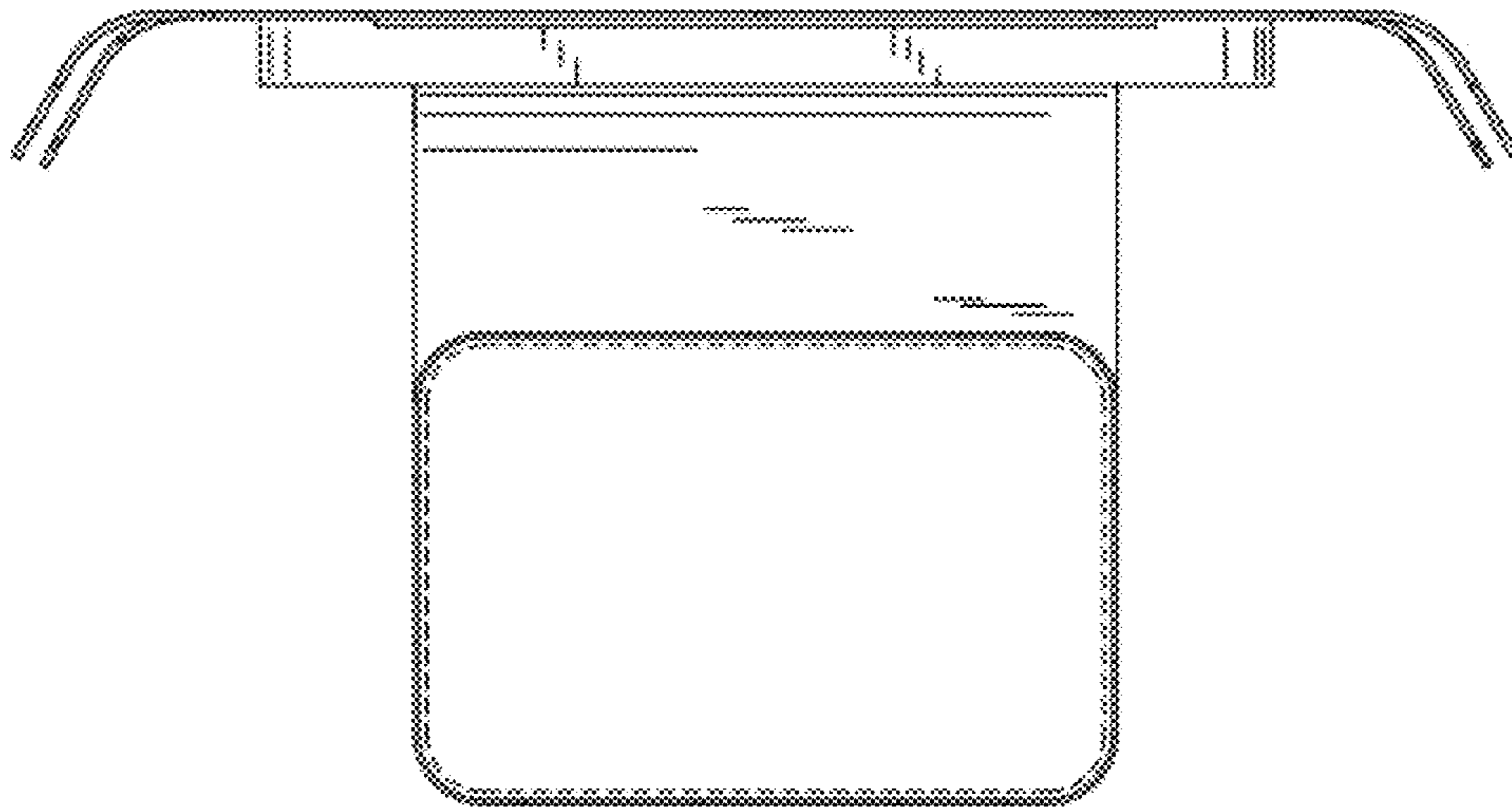


FIG. 13

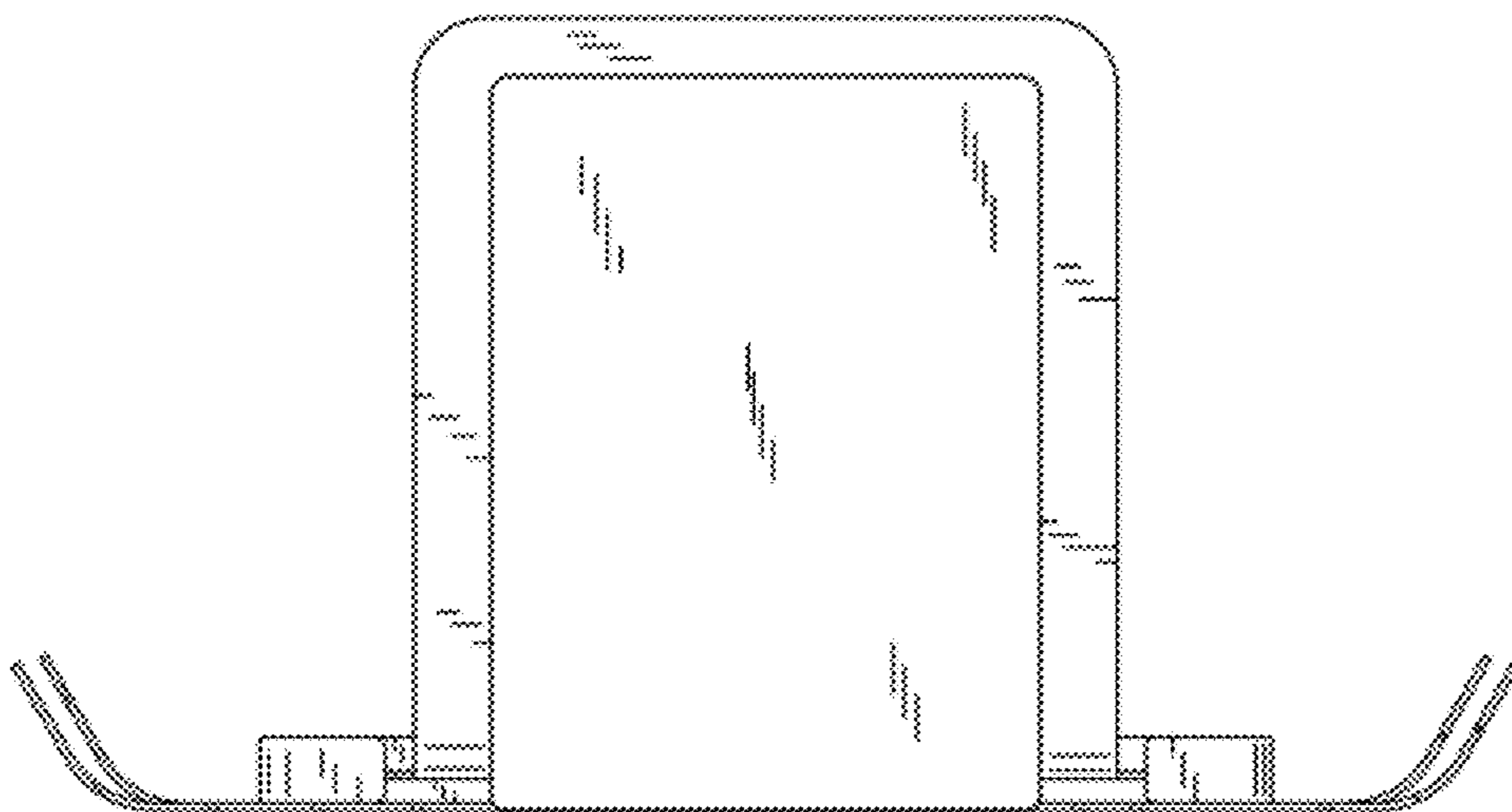


FIG. 14