

US00D676852S

(12) **United States Design Patent**  
**Lohman**

(10) **Patent No.:** **US D676,852 S**  
(45) **Date of Patent:** **\*\* Feb. 26, 2013**

(54) **CASE FOR ELECTRONIC EQUIPMENT**

(75) Inventor: **Bertil Lohman**, Rönnevågen (SE)

(73) Assignee: **Clamco Invest AB**, Sollentuna (SE)

(\*\*) Term: **14 Years**

(21) Appl. No.: **29/360,361**

(22) Filed: **Apr. 23, 2010**

(30) **Foreign Application Priority Data**

Oct. 23, 2009 (EM) ..... 001627779

(51) **LOC (9) Cl.** ..... **14-02**

(52) **U.S. Cl.** ..... **D14/441; D14/432**

(58) **Field of Classification Search** ..... D14/300,  
D14/301, 308, 311, 313, 432, 433, 439, 441-446,  
D14/299; 312/294, 297, 317.1, 223.1-223.3;  
361/679.02, 679.57, 697.58, 724-726, 807;  
174/51, 350, 354, 375, 377  
See application file for complete search history.

(56) **References Cited**

**U.S. PATENT DOCUMENTS**

D334,185 S *	3/1993	Lam	.....	D14/442
D371,776 S *	7/1996	Yang	.....	D14/442
D402,286 S *	12/1998	Poole et al.	.....	D14/441
D417,865 S *	12/1999	Wilson et al.	.....	D14/441
D447,484 S *	9/2001	Reznikov et al.	.....	D14/441
6,288,892 B1 *	9/2001	Lanz et al.	.....	361/679.58
D474,180 S *	5/2003	Searby et al.	.....	D14/313
D480,078 S *	9/2003	Searby et al.	.....	D14/313
D480,086 S *	9/2003	Searby et al.	.....	D14/444
6,628,518 B2 *	9/2003	Behl et al.	.....	361/679.47
D483,378 S *	12/2003	Mundt	.....	D14/440
D486,494 S *	2/2004	Gundogan et al.	.....	D14/444
D490,083 S *	5/2004	Wu	.....	D14/439
6,863,188 B2 *	3/2005	Besserer et al.	.....	211/183
D509,199 S *	9/2005	Haase et al.	.....	D14/137

D525,969 S *	8/2006	Sugihara et al.	.....	D14/301
D532,781 S *	11/2006	Ohno	.....	D14/300
D561,766 S *	2/2008	Deng	.....	D14/442
D569,865 S *	5/2008	Ambrose et al.	.....	D14/356
D570,351 S *	6/2008	Matityahu et al.	.....	D14/441
D588,136 S *	3/2009	Kawase et al.	.....	D14/444
D588,137 S *	3/2009	Lawrence et al.	.....	D14/444
D588,601 S *	3/2009	Wang et al.	.....	D14/445
D589,047 S *	3/2009	Kawase et al.	.....	D14/441
D593,565 S *	6/2009	Dearborn et al.	.....	D14/445
D627,772 S *	11/2010	Wang et al.	.....	D14/313
D629,807 S *	12/2010	Vaughan	.....	D14/446
D631,480 S *	1/2011	Vaughan	.....	D14/446
2004/0036388 A1 *	2/2004	Liljevik et al.	.....	312/257.1
2004/0228083 A1 *	11/2004	Wang et al.	.....	361/683
2008/0314611 A1 *	12/2008	Beck	.....	174/51
2009/0136194 A1 *	5/2009	Barnes	.....	385/135
2011/0175501 A1 *	7/2011	Peng et al.	.....	312/223.1

**FOREIGN PATENT DOCUMENTS**

WO WO2011049527 \* 4/2011

\* cited by examiner

*Primary Examiner* — Deanna L Fluegeman

(74) *Attorney, Agent, or Firm* — Young & Thompson

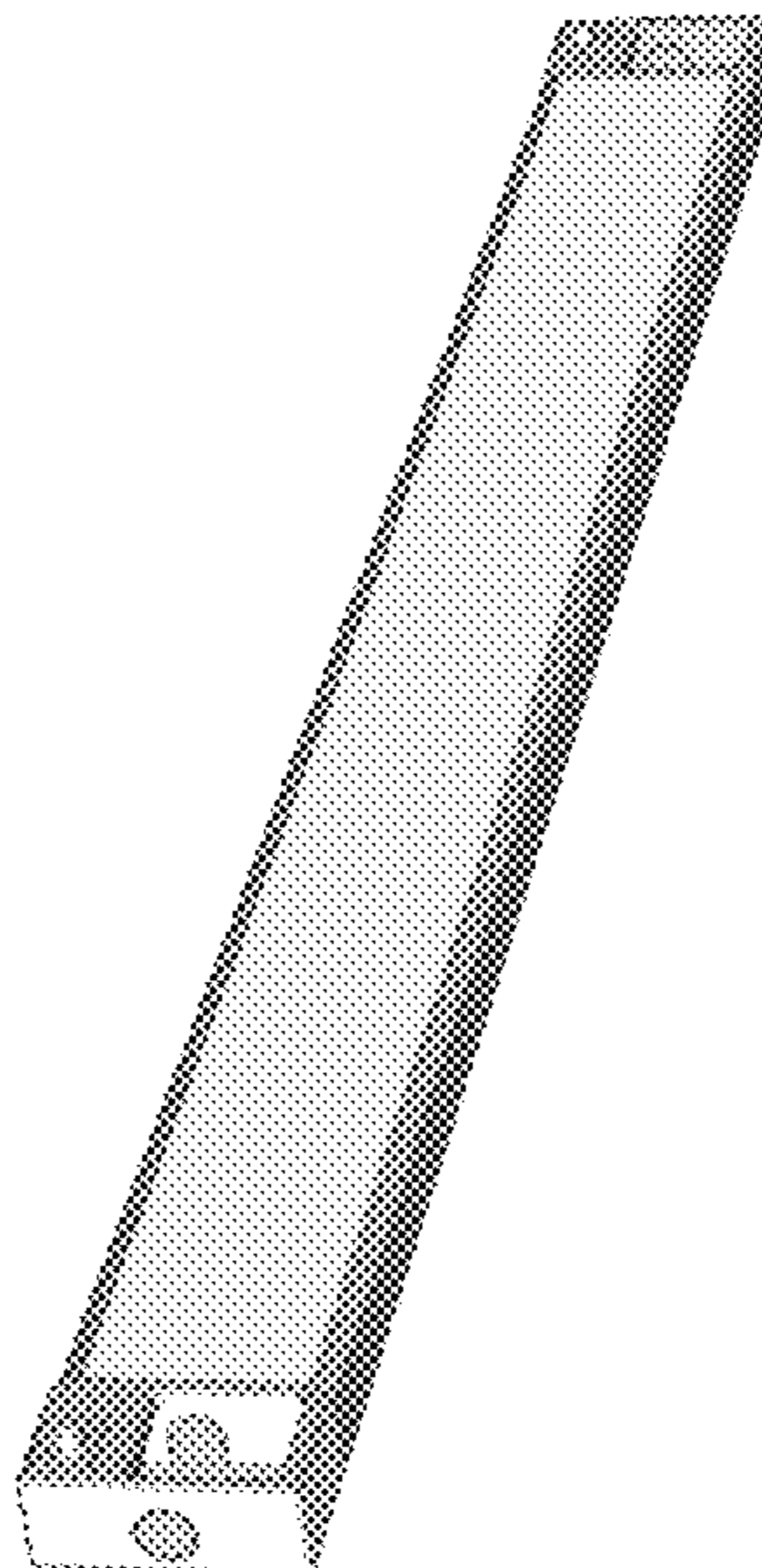
(57) **CLAIM**

The ornamental design for a case for electronic equipment, as shown and described.

**DESCRIPTION**

FIG. 1 is a front view of the case for electronic equipment, such as a server rack;  
FIG. 2 is a left side view thereof;  
FIG. 3 is a right side view thereof;  
FIG. 4 is a front, right, top perspective view thereof; and,  
FIG. 5 is a front, left, bottom perspective view thereof.  
The tonal shading in the drawings is included for the purpose of illustrating the surface contours of the claimed design and forms no part thereof.

**1 Claim, 5 Drawing Sheets**



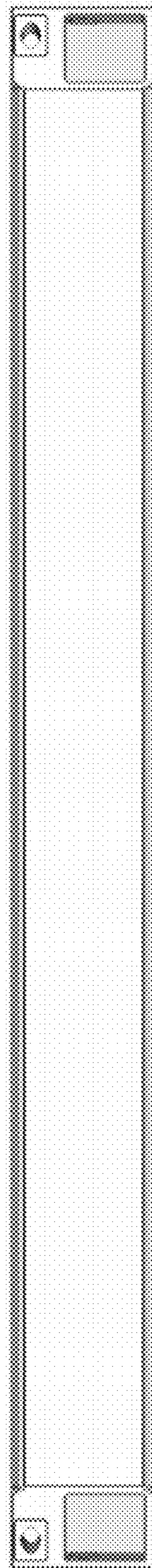


Figure 1

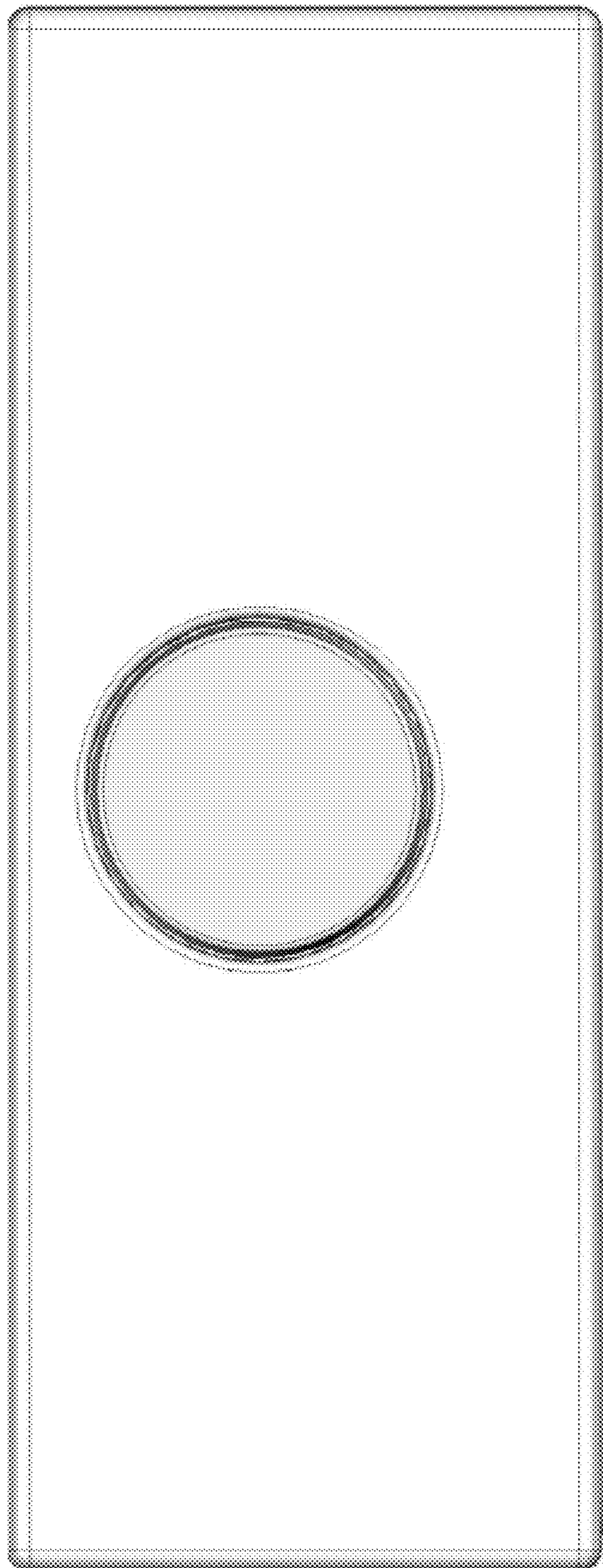


Figure 2



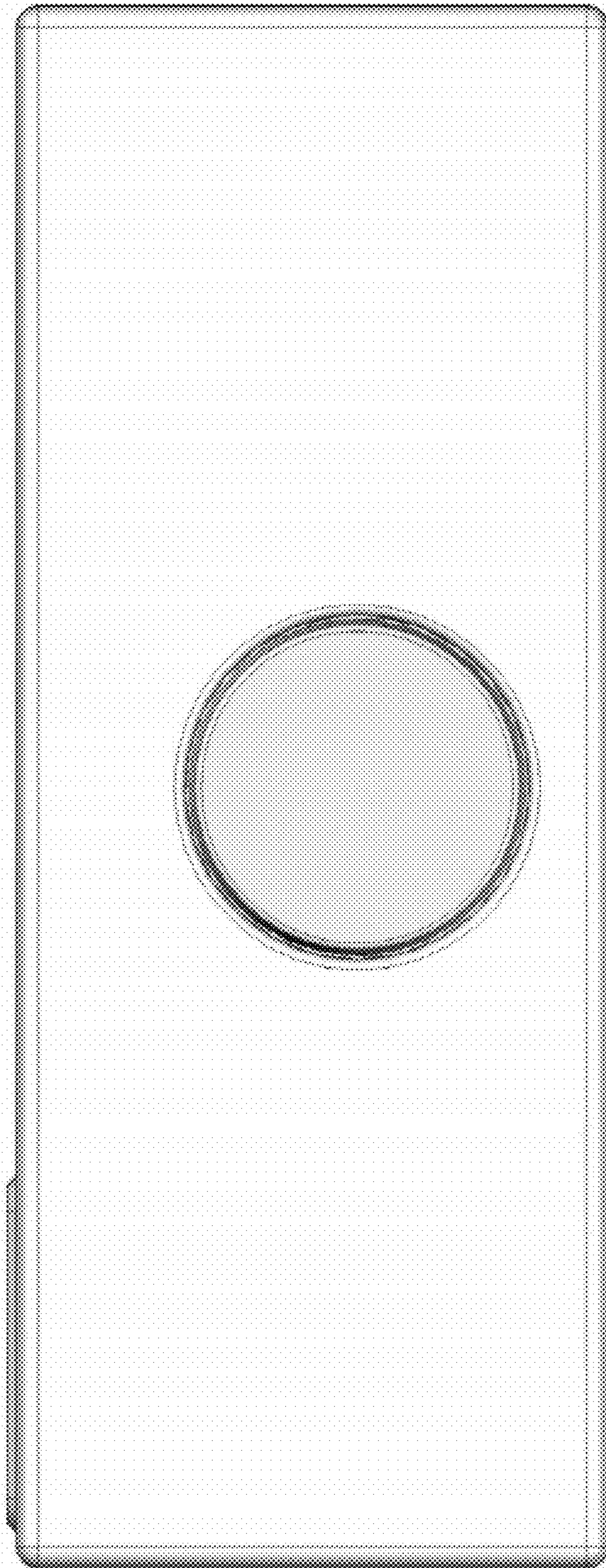


Figure 3

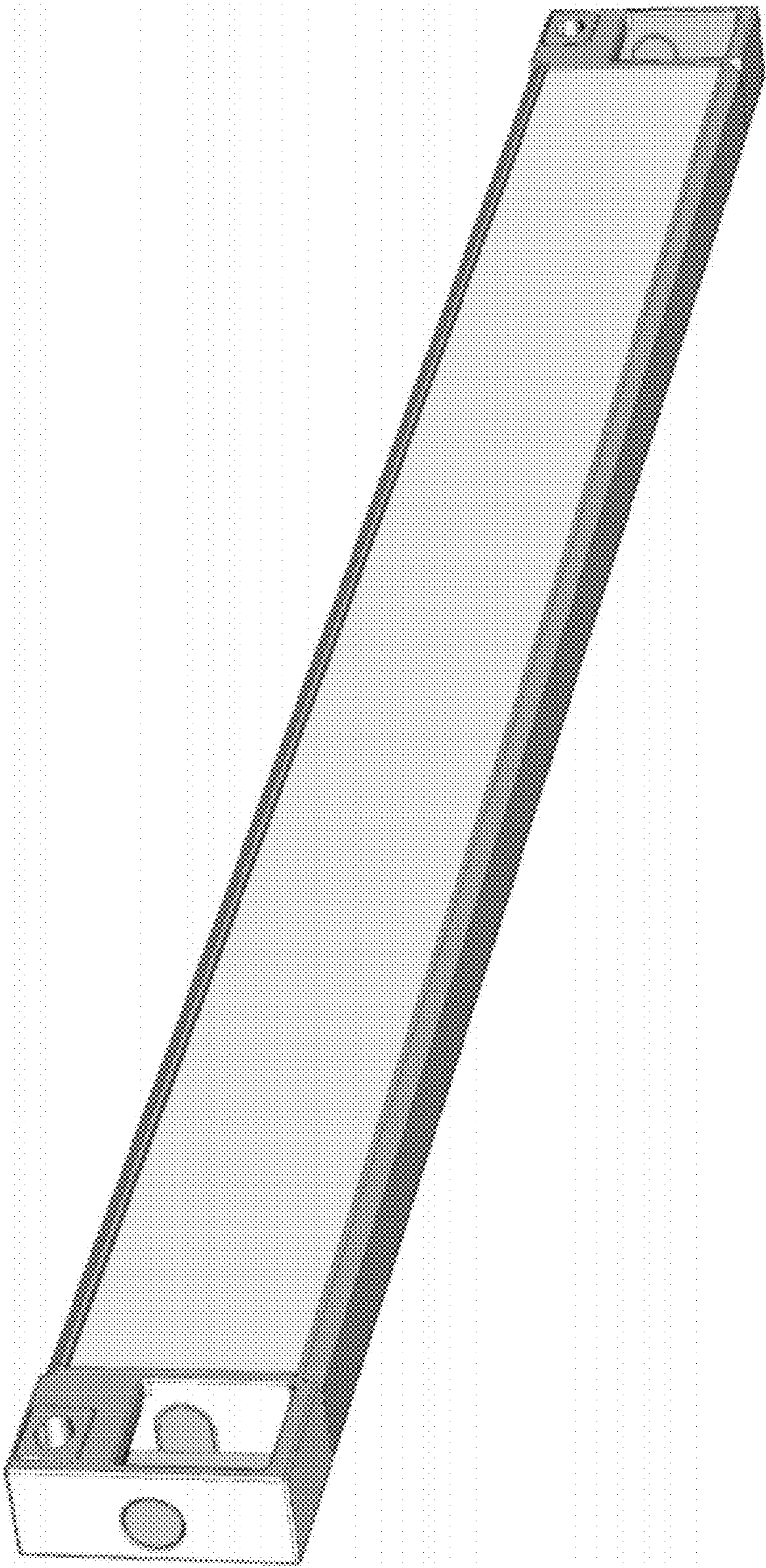


Figure 4



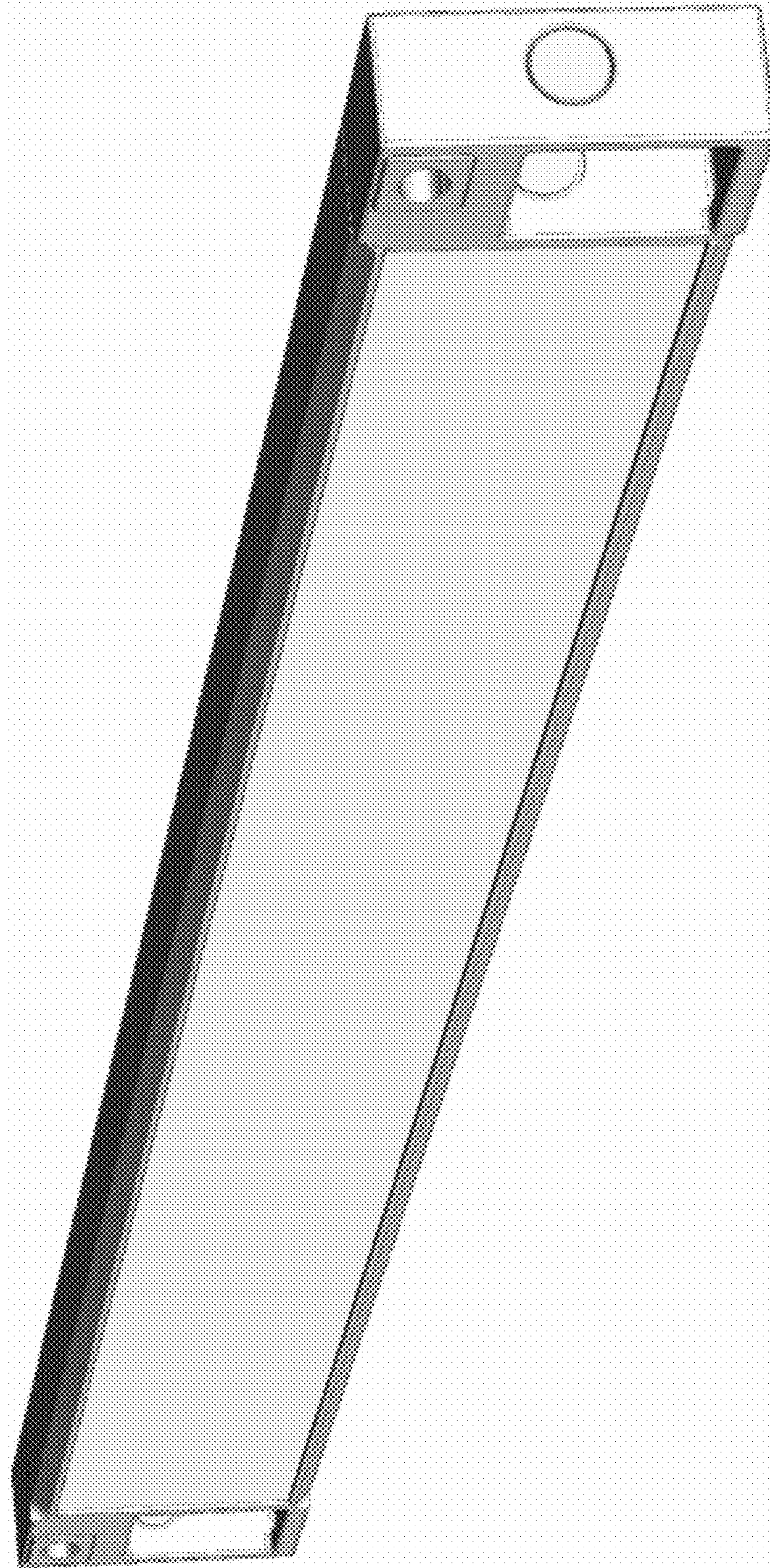


Figure 5