



US00D676848S

(12) **United States Design Patent**  
**Smith et al.**

(10) **Patent No.:** **US D676,848 S**

(45) **Date of Patent:** **\*\* Feb. 26, 2013**

(54) **KEYBOARD**

(75) Inventors: **Dustin Jonathan Smith**, Kitchener (CA); **Donald Somerset McKenzie**, Waterloo (CA); **Kevin Roy Sugden**, Toronto (CA); **Shannon Tyler Moore**, Waterloo (CA); **Anders Fahrendorff**, Ottawa (CA); **Jason Tyler Grffin**, Kitchener (CA); **Laura Mahan**, Kanata (CA)

(73) Assignee: **Research In Motion limited**, Waterloo, Ontario (CA)

(\*\*) Term: **14 Years**

(21) Appl. No.: **29/423,261**

(22) Filed: **May 30, 2012**

**Related U.S. Application Data**

(63) Continuation of application No. 29/414,275, filed on Feb. 27, 2012.

(51) **LOC (9) Cl.** ..... **14-02**

(52) **U.S. Cl.** ..... **D14/391**

(58) **Field of Classification Search** ..... D14/240, D14/138, 318, 341, 391-399, 443, 455, 456; D18/1, 2, 7, 11; 178/17 A, 17 C; 200/5 A, 200/5 R, 6 A, 6 R; 235/145 A, 145 R; 341/20-23; 345/156, 160, 168, 169, 173; 361/679.08, 361/679.09, 679.11-679.19; 400/484-489, 400/492, 472

See application file for complete search history.

(56) **References Cited**

U.S. PATENT DOCUMENTS

D456,025	S	*	4/2002	Komuta et al.	.....	D14/439
D485,266	S	*	1/2004	Wilson et al.	.....	D14/341
D601,148	S	*	9/2009	Akita	.....	D14/391
D612,388	S	*	3/2010	Chan et al.	.....	D14/456
D620,909	S	*	8/2010	Lee et al.	.....	D14/138 AD
D645,860	S	*	9/2011	Andre et al.	.....	D14/318
2009/0111508	A1	*	4/2009	Yeh et al.	.....	455/552.1

\* cited by examiner

*Primary Examiner* — Freda S Nunn

(57) **CLAIM**

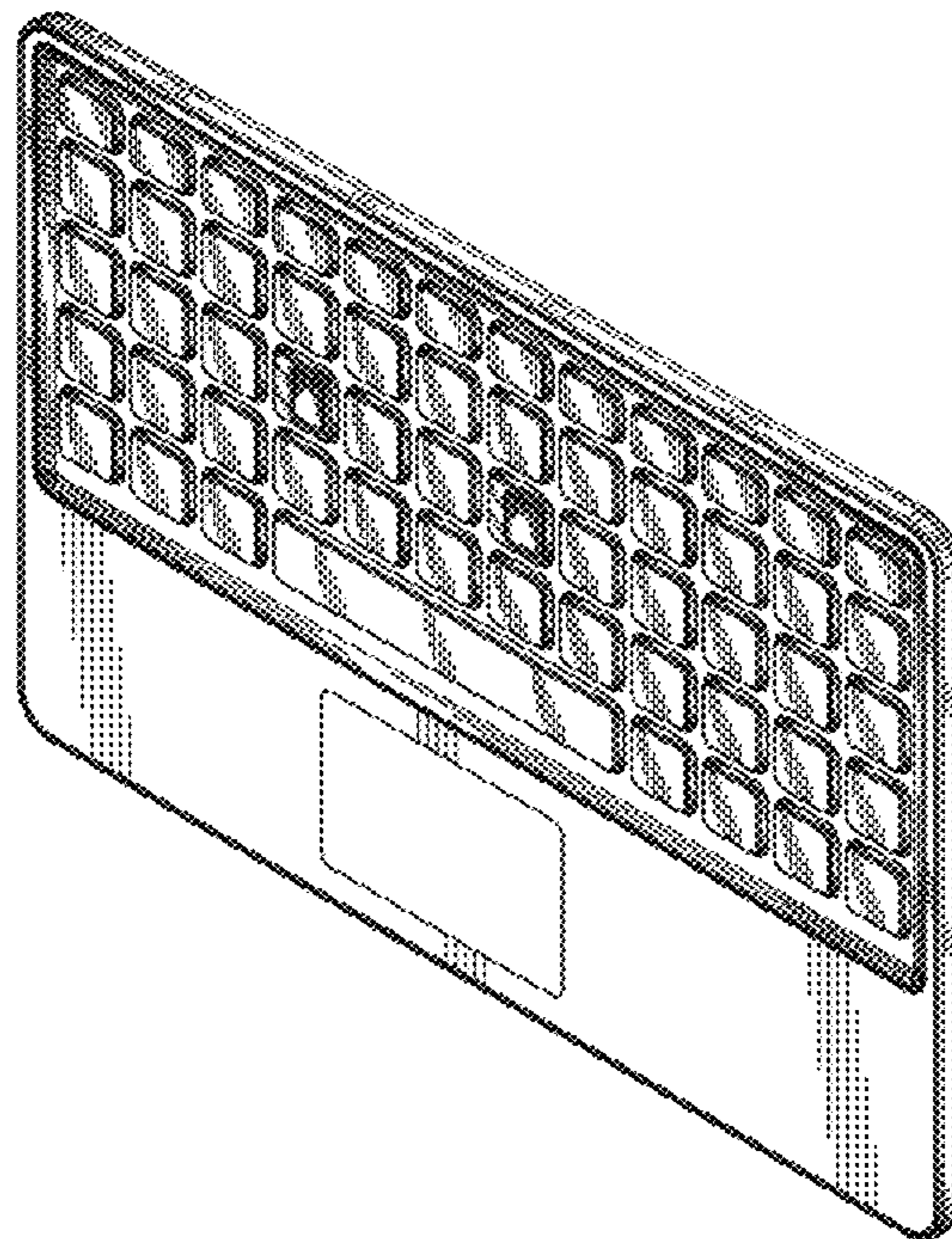
We claim the ornamental design for a keyboard, as shown and described.

**DESCRIPTION**

FIG. 1 is a front perspective view of a keyboard;  
FIG. 2 is a back perspective view of the keyboard;  
FIG. 3 is a front elevational view thereof;  
FIG. 4 is a back elevational view thereof;  
FIG. 5 is a left elevational view thereof;  
FIG. 6 is a right elevational view thereof;  
FIG. 7 is a top plan view thereof; and,  
FIG. 8 is a bottom plan view thereof.

The broken lines shown in the drawings of the keyboard are for illustrating portions of the article and form no part of the claimed design.

**1 Claim, 6 Drawing Sheets**



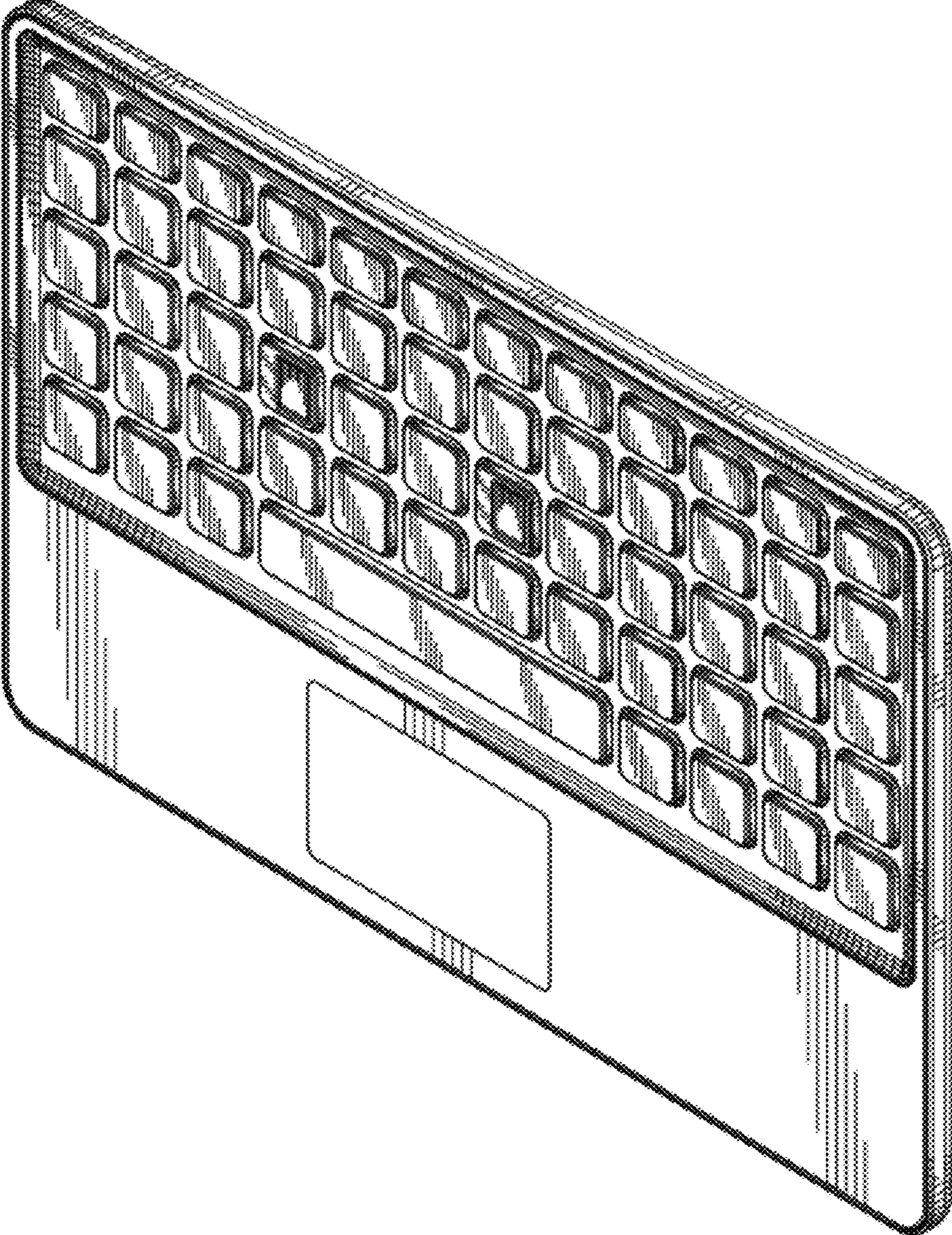


FIG. 1

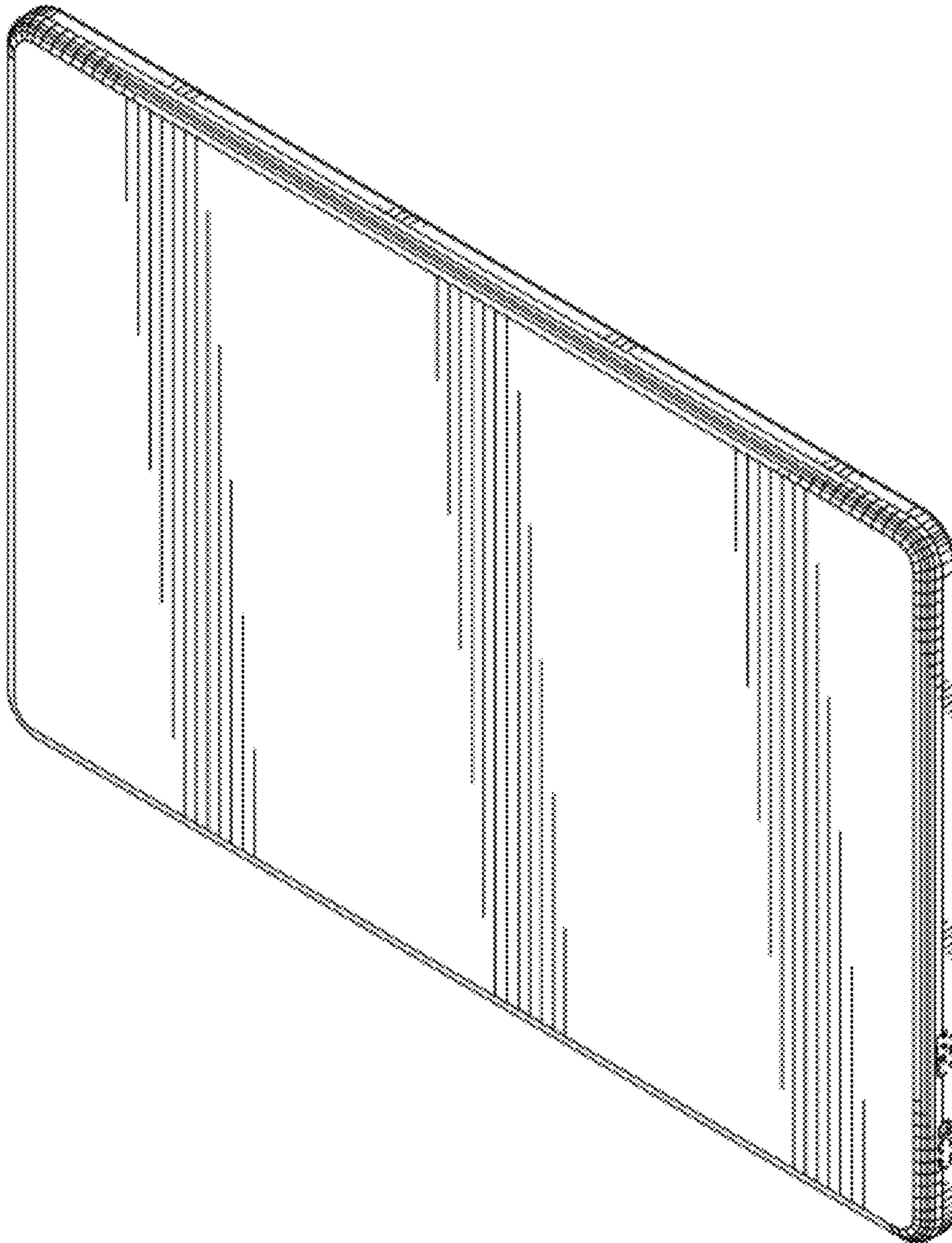


FIG.2

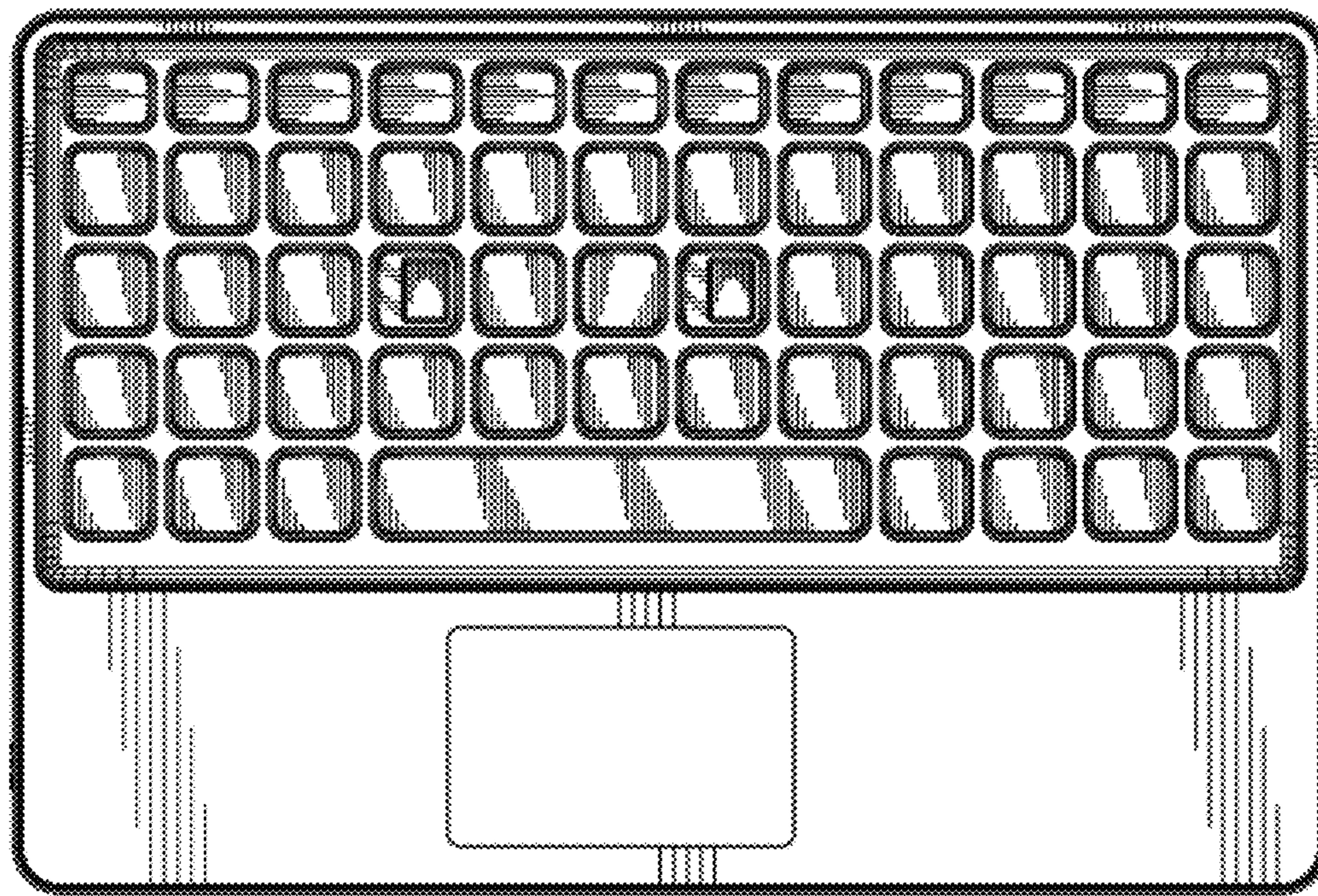


FIG.3

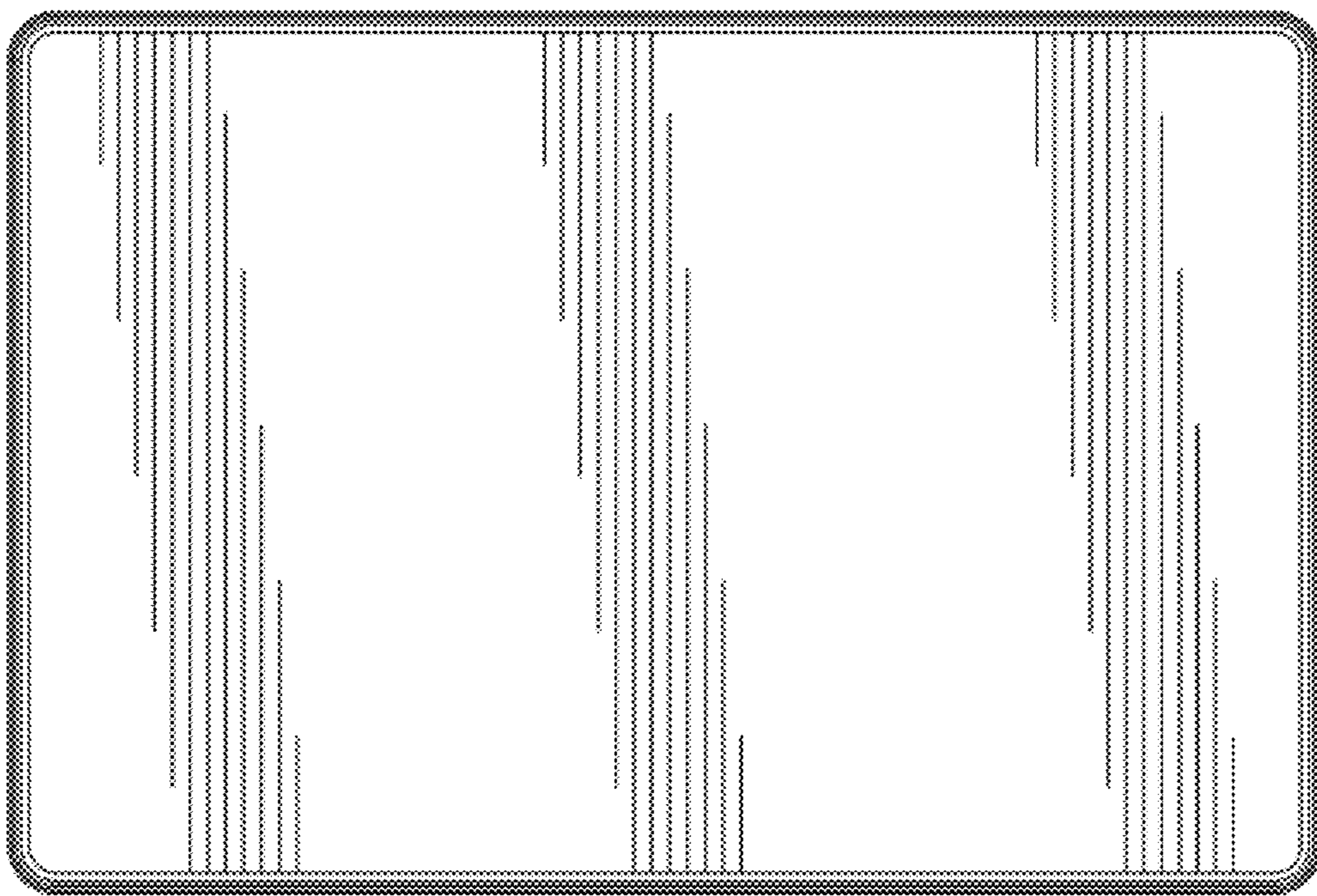


FIG.4



FIG. 5



FIG. 6



FIG. 7

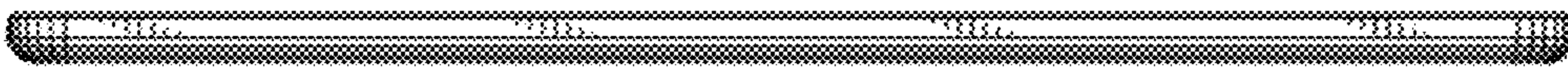


FIG. 8