



US00D676846S

(12) **United States Design Patent**
Harrington

(10) **Patent No.:** **US D676,846 S**

(45) **Date of Patent:** **** Feb. 26, 2013**

(54) **AUDIO COMPONENT MOUNTING PLATE**

(76) Inventor: **Steven L. Harrington**, Chino, CA (US)

(**) Term: **14 Years**

(21) Appl. No.: **29/419,325**

(22) Filed: **Apr. 26, 2012**

(51) **LOC (9) Cl.** **14-03**

(52) **U.S. Cl.** **D14/257**

(58) **Field of Classification Search** D14/131,
D14/132, 137, 155, 157, 168-171, 188, 194,
D14/197, 198, 239, 257, 258, 496, 498-508,
D14/511; 455/90.1-90.3, 344-355; 369/6-12
See application file for complete search history.

(56) **References Cited**

U.S. PATENT DOCUMENTS

D373,589 S *	9/1996	Peterson et al.	D14/257
D395,313 S *	6/1998	Alves et al.	D14/258
D529,479 S *	10/2006	Wolf et al.	D14/188
D541,233 S *	4/2007	Hayes et al.	D13/184
D595,710 S *	7/2009	Harrington	D14/258
D624,534 S *	9/2010	Harrington	D14/258

D640,682 S *	6/2011	Ledbetter et al.	D14/257
D651,596 S *	1/2012	Cheng	D14/257
D654,070 S *	2/2012	Silva et al.	D14/257

* cited by examiner

Primary Examiner — Keli L Hill

(74) *Attorney, Agent, or Firm* — QuickPatents; Kevin Prince

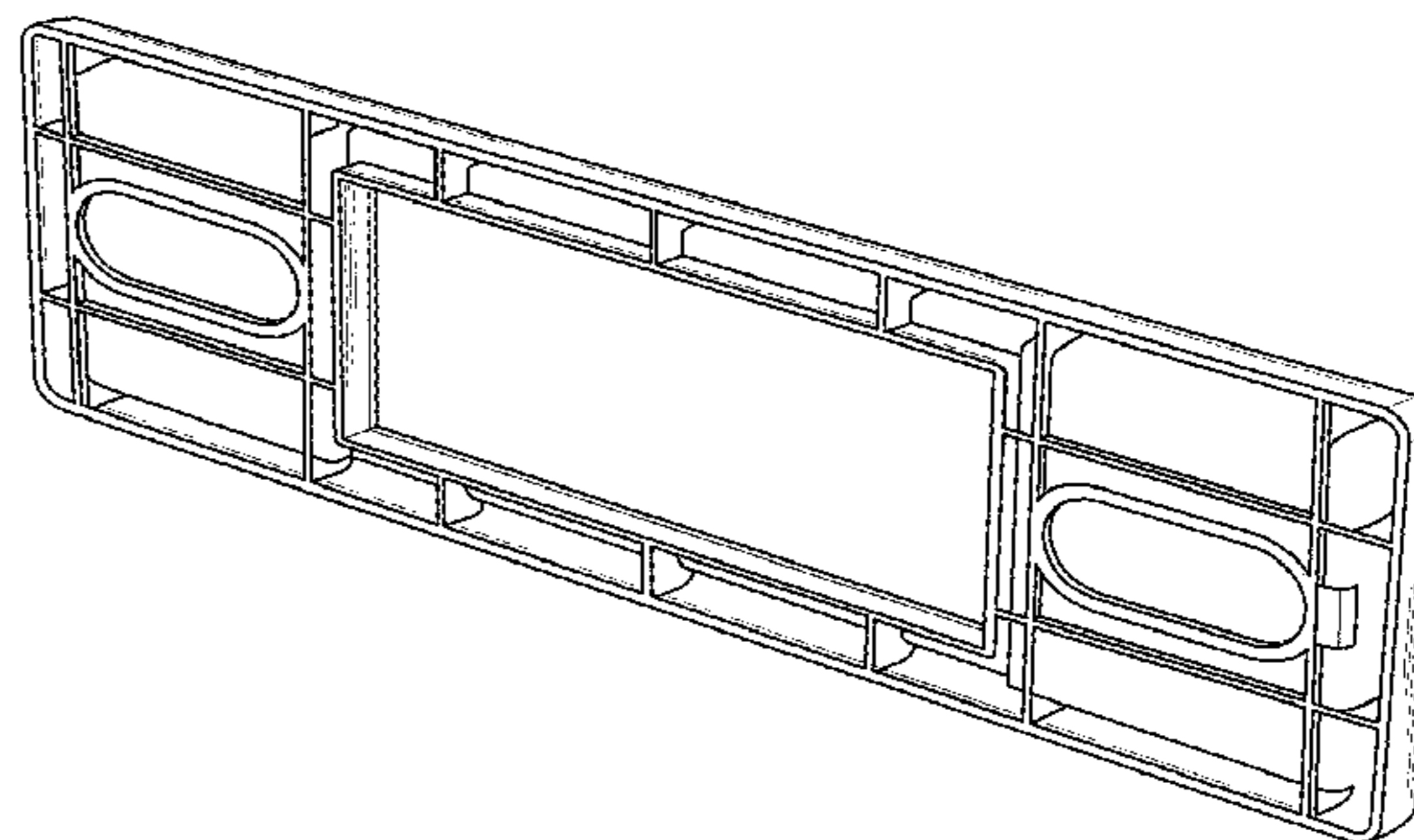
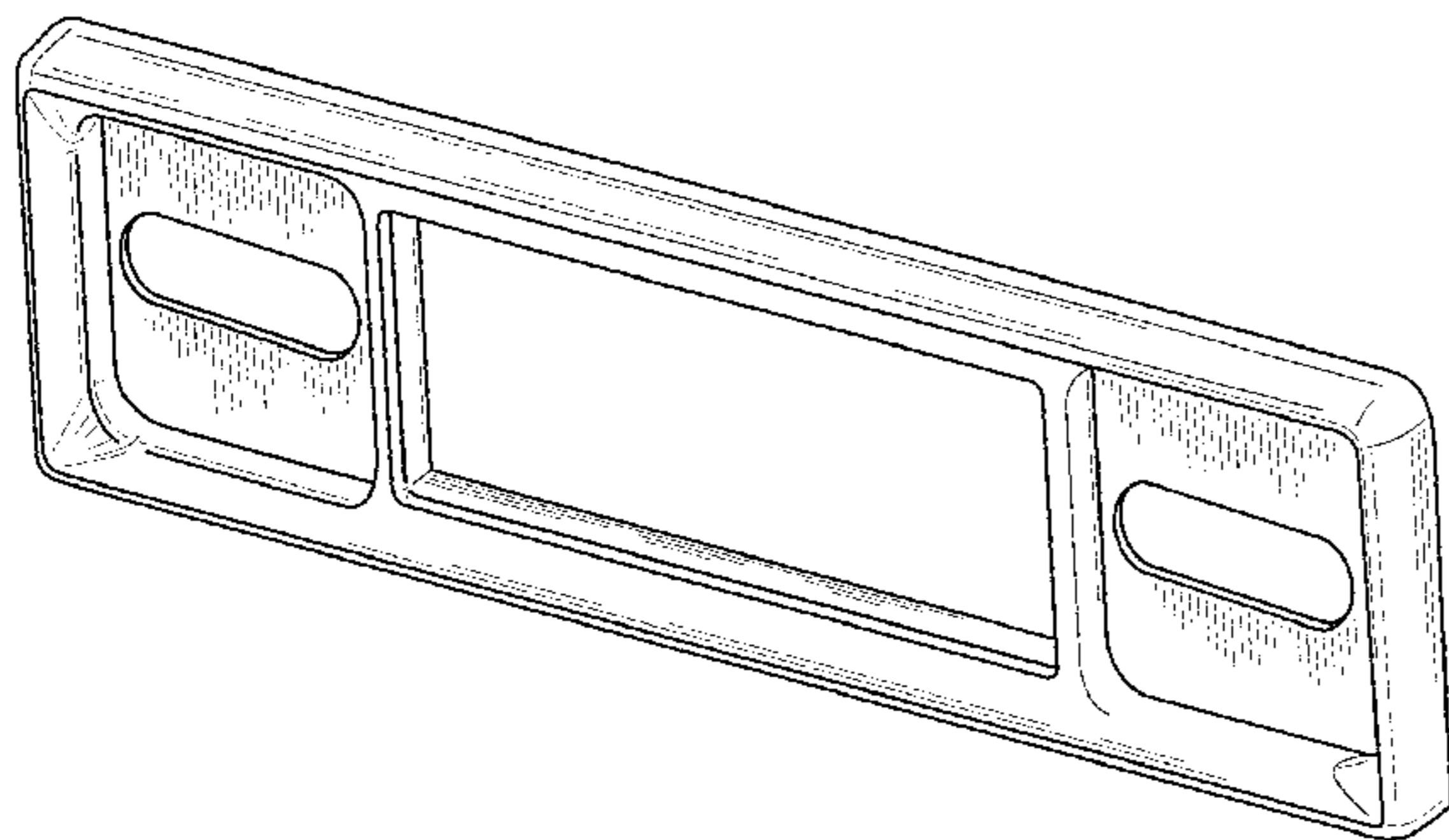
(57) **CLAIM**

I claim the ornamental design for an audio component mounting plate, as shown and described.

DESCRIPTION

FIG. 1 is a front perspective view of an audio component mounting plate, showing my new design; FIG. 2 is a rear perspective view thereof; FIG. 3 is a front elevational view thereof; FIG. 4 is a rear elevational view thereof; FIG. 5 is a left-side elevational view thereof, the right-side elevational view being a mirror image thereof; and, FIG. 6 is a top plan view thereof, the bottom plan view being a mirror image thereof.

1 Claim, 2 Drawing Sheets



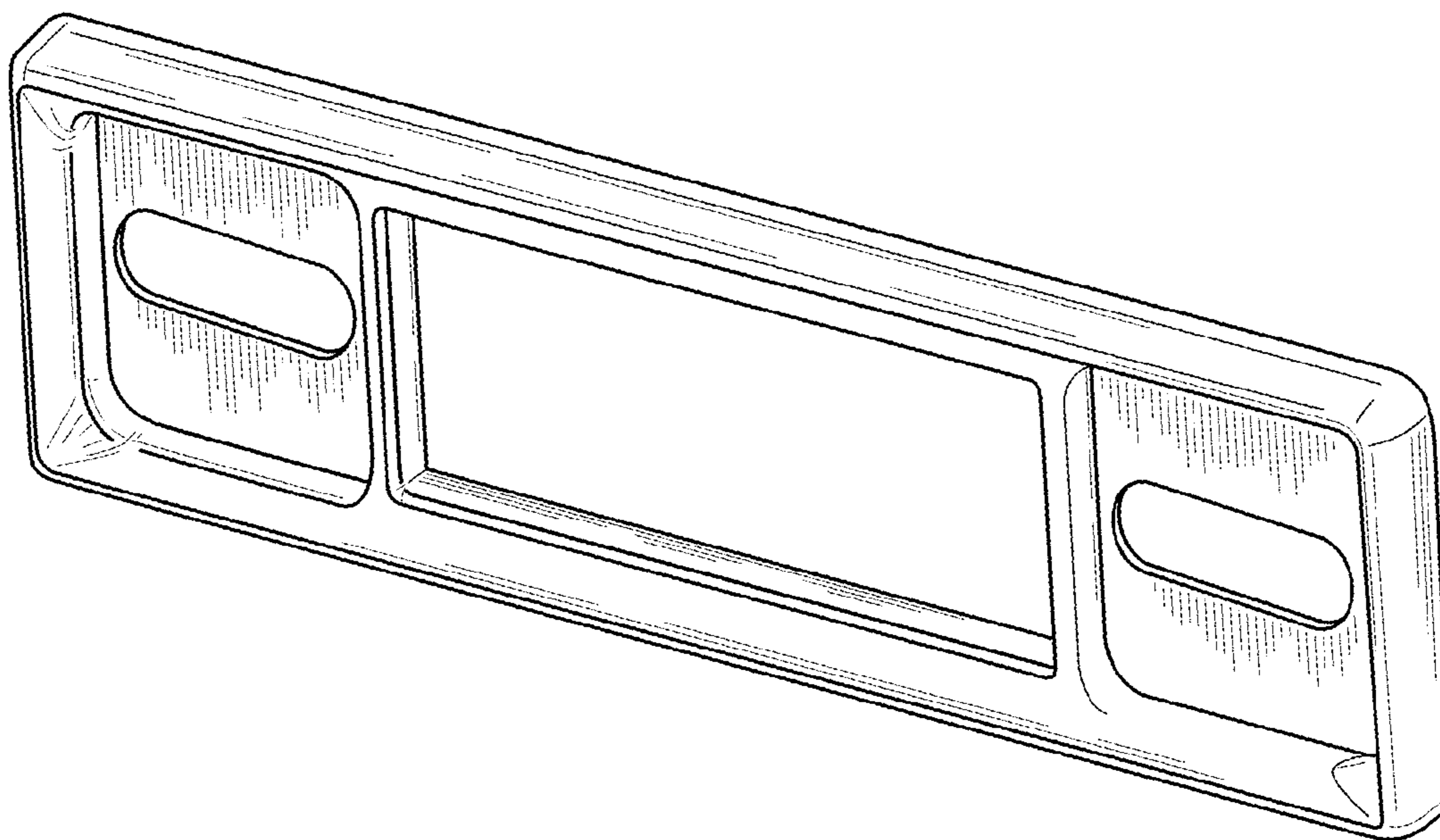


FIG. 1

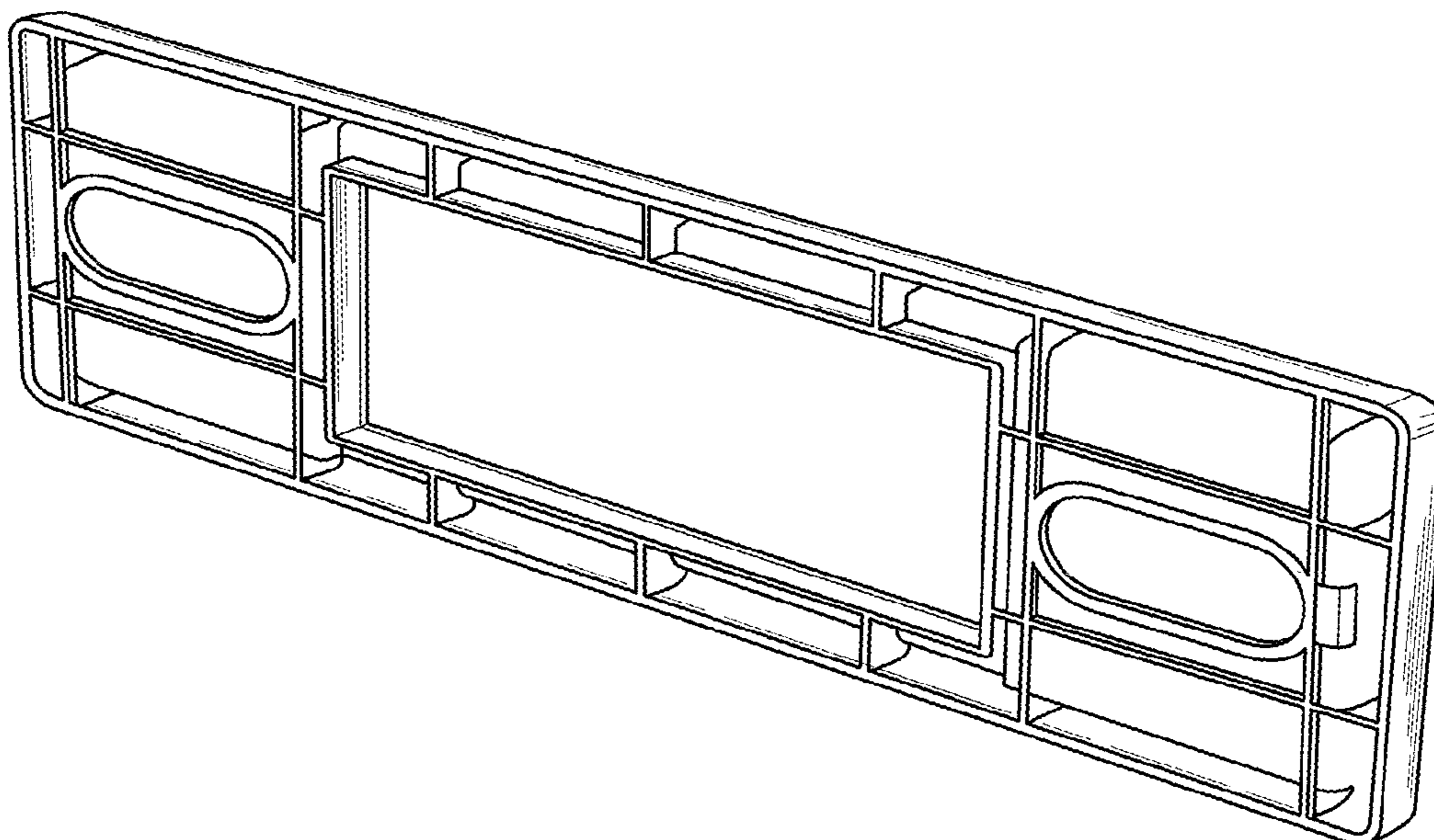


FIG. 2

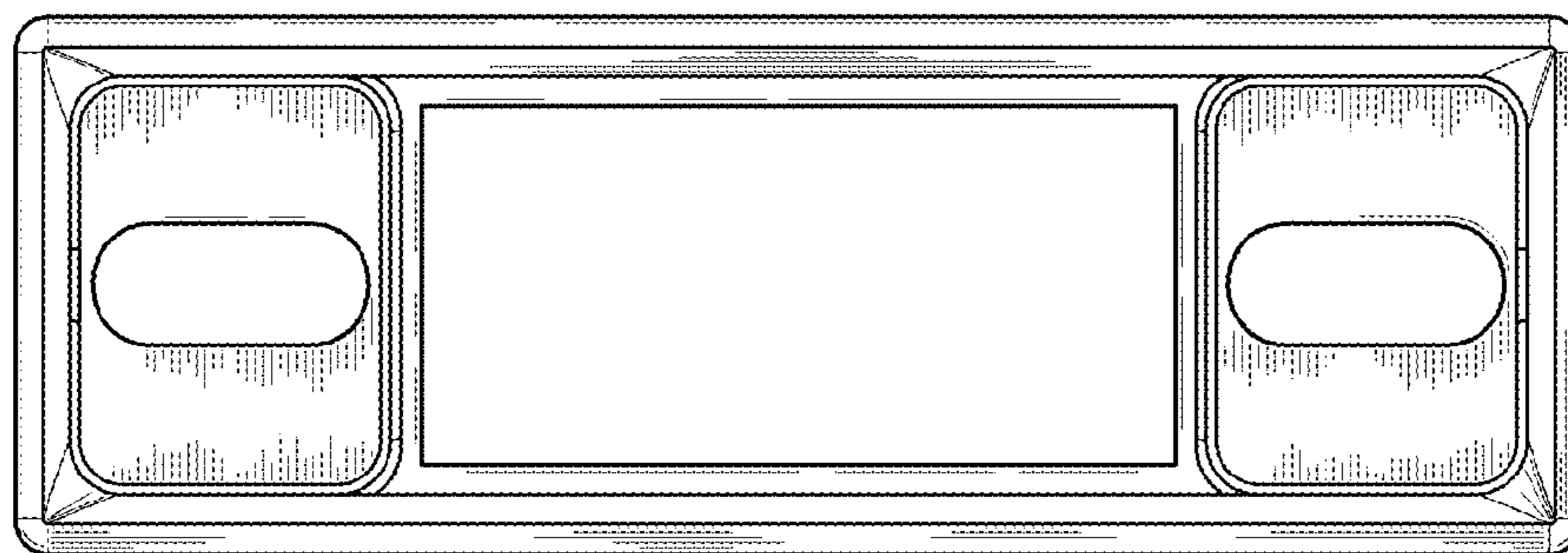


FIG. 3

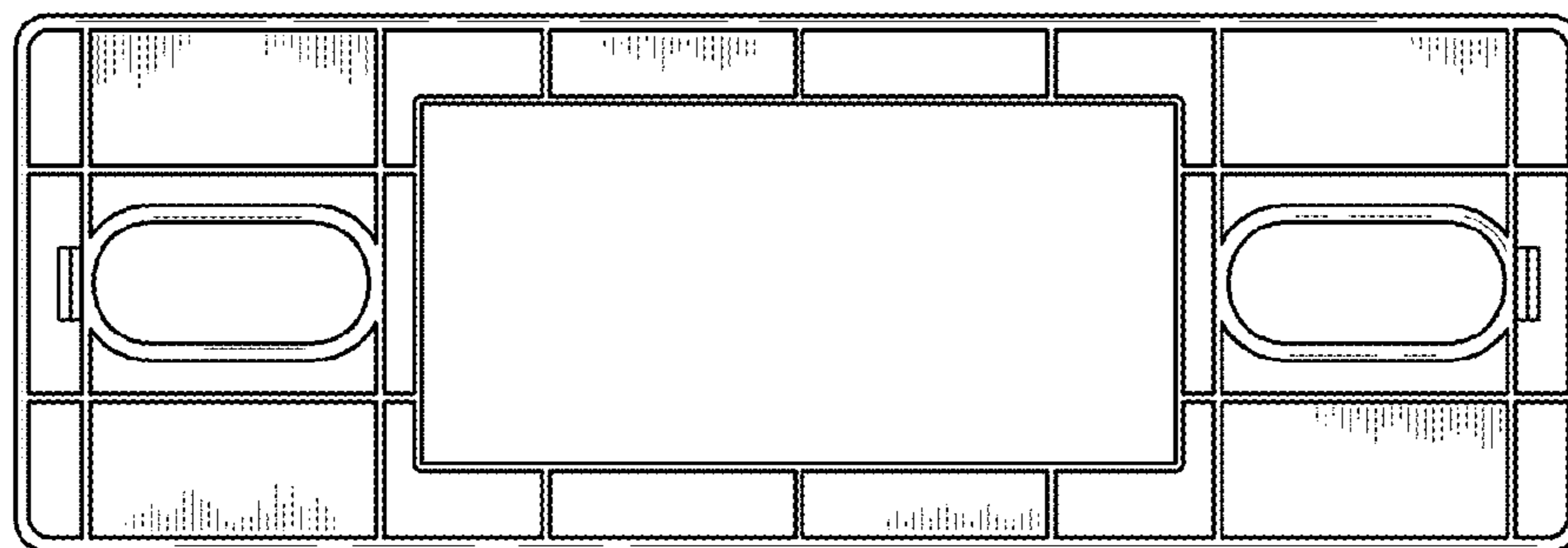


FIG. 4



FIG. 5

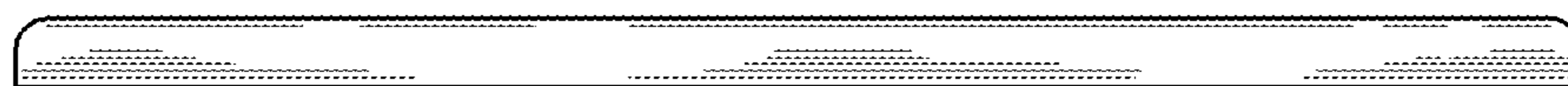


FIG. 6