



US00D676843S

(12) **United States Design Patent**  
**Monaco et al.**

(10) **Patent No.:** **US D676,843 S**  
(45) **Date of Patent:** **\*\* Feb. 26, 2013**

- (54) **CASE FOR HANDHELD ELECTRONIC DEVICE**
- (75) Inventors: **Dean Monaco**, Christmas, FL (US);  
**John Santo, III**, Orlando, FL (US)
- (73) Assignee: **My Innoventure, LLC**, Orlando, FL (US)
- (\*\*) Term: **14 Years**
- (21) Appl. No.: **29/409,419**
- (22) Filed: **Dec. 22, 2011**

- D623,179 S 9/2010 Richardson
- D637,590 S 5/2011 Michie
- D638,413 S 5/2011 Magness
- 2002/0048363 A1 4/2002 Scheller
- 2004/0204165 A1 10/2004 Huang
- 2005/0255898 A1 11/2005 Huang
- 2006/0058081 A1 3/2006 Reighenbach
- 2006/0146483 A1 7/2006 Patino
- 2008/0009329 A1 1/2008 Adler
- 2008/0232089 A1 9/2008 Riccardi

*Primary Examiner* — Sheryl Lane  
(74) *Attorney, Agent, or Firm* — Brian S. Steinberger; Law Offices of Brian S. Steinberger, P.A.

**Related U.S. Application Data**

- (62) Division of application No. 29/358,510, filed on Mar. 29, 2010, now Pat. No. Des. 654,068.
- (51) **LOC (9) Cl.** ..... **14-03**
- (52) **U.S. Cl.** ..... **D14/250**
- (58) **Field of Classification Search** ..... D14/250,  
D14/252, 253, 248, 249, 440, 203.7, 217,  
D14/203.3, 203.4; D3/201, 218, 269; 220/4.02;  
224/191, 241, 245; 379/426, 433.01; 455/575.1,  
455/575.8  
See application file for complete search history.

**References Cited**

**U.S. PATENT DOCUMENTS**

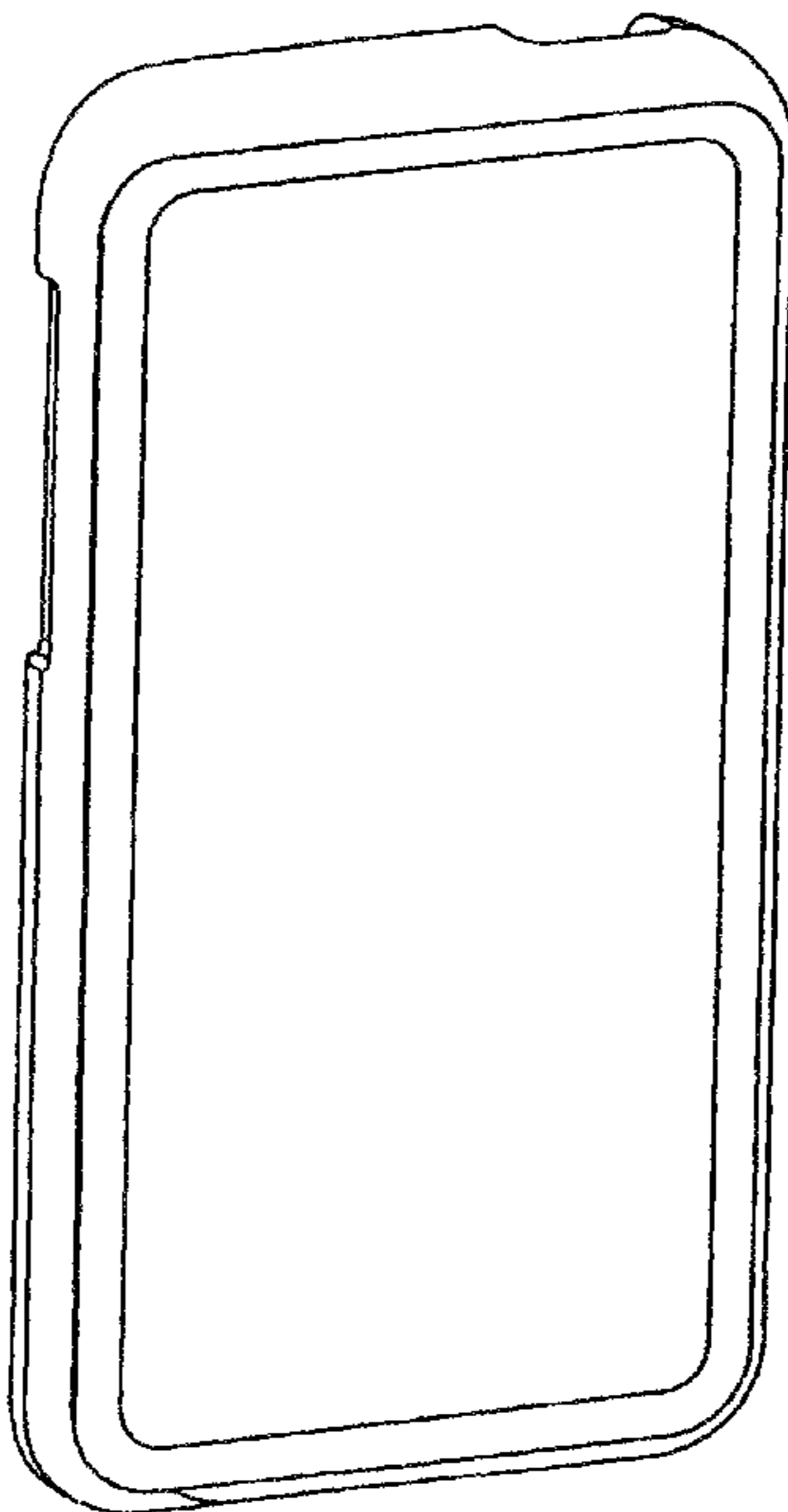
- 4,569,653 A 2/1986 Becker
- 5,531,365 A 7/1996 Donnelly
- D565,291 S 4/2008 Brandenburg
- 7,409,237 B2 8/2008 Tages
- 7,494,239 B2 2/2009 Riccardi
- 7,648,027 B2 1/2010 Lin
- D619,573 S 7/2010 Khan

(57) **CLAIM**  
The ornamental design for case for handheld electronic device, as shown and described.

**DESCRIPTION**

FIG. 1 is a front perspective view of a novel front plate of a case for handheld electronic device.  
FIG. 2 is a rear perspective view of a novel rear plate for the case and cover of FIG. 1.  
FIG. 3 is a front view of a case and cover of the front and rear plates of FIG. 1 and FIG. 2.  
FIG. 4 is a rear view of the case and cover with the case shown with ear phones inside the compartment of FIG. 3.  
FIG. 5 is a left side view of the case and cover of FIG. 3.  
FIG. 6 is a right side view of the case and cover of FIG. 3.  
FIG. 7 is a top side view of the case and cover of FIG. 3.  
FIG. 8 is a bottom side view of the case and cover of FIG. 3.  
FIG. 9 is an enlarged upper rear perspective view of the case and cover of FIG. 2; and,  
FIG. 10 is another enlarged view of the case and cover of FIG. 4 in an open position.

**1 Claim, 9 Drawing Sheets**



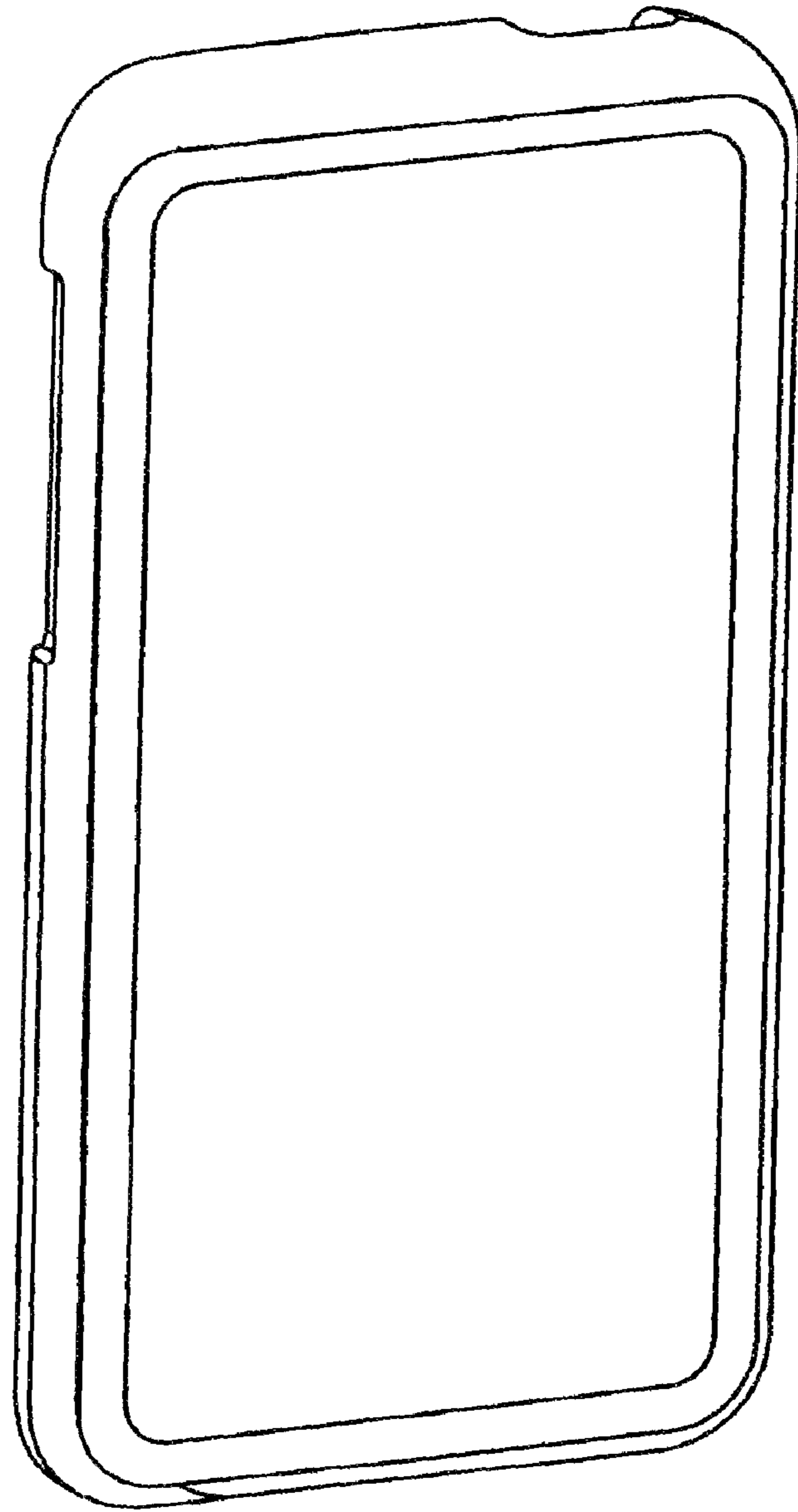


FIG. 1

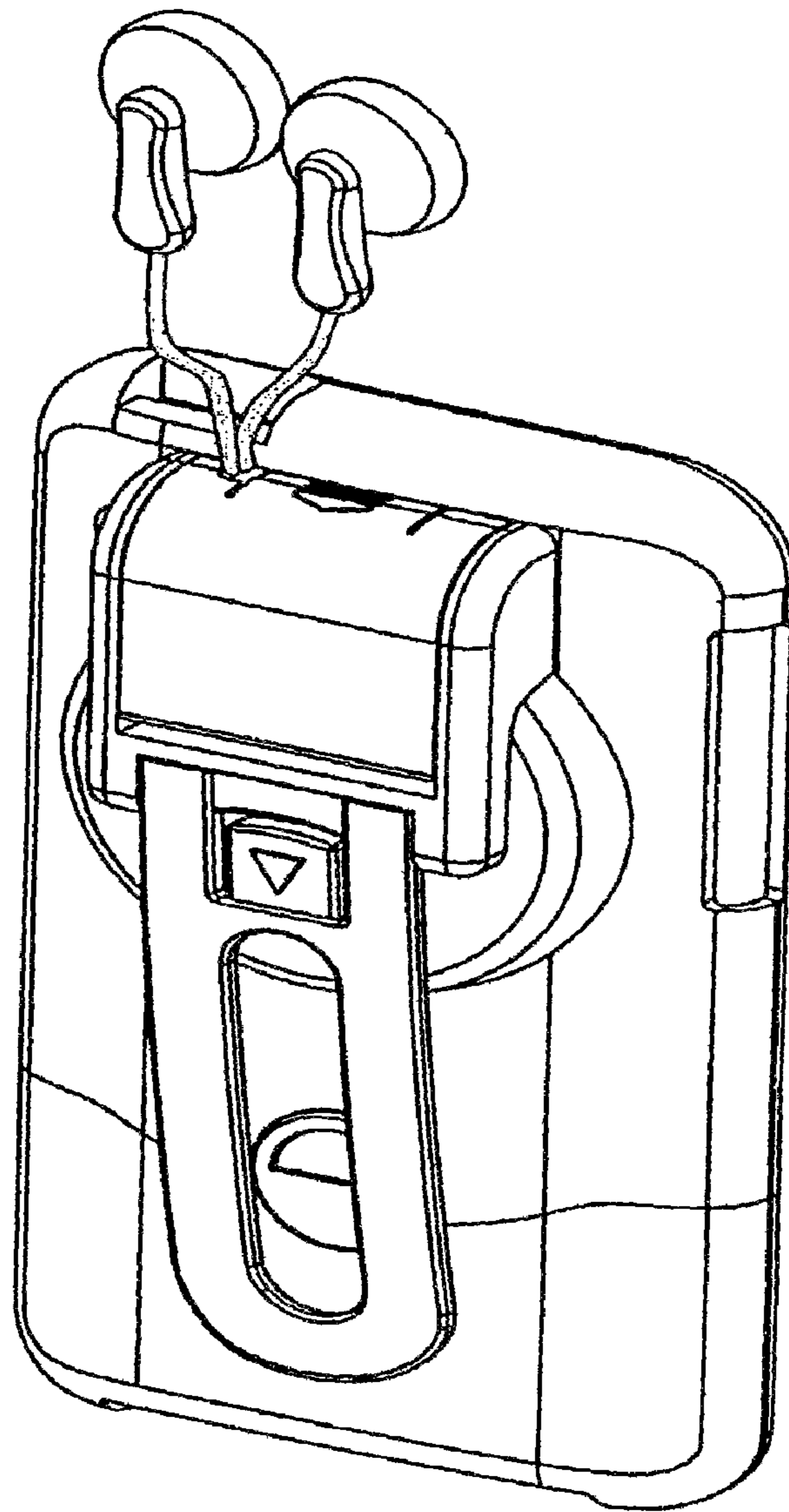


FIG. 2

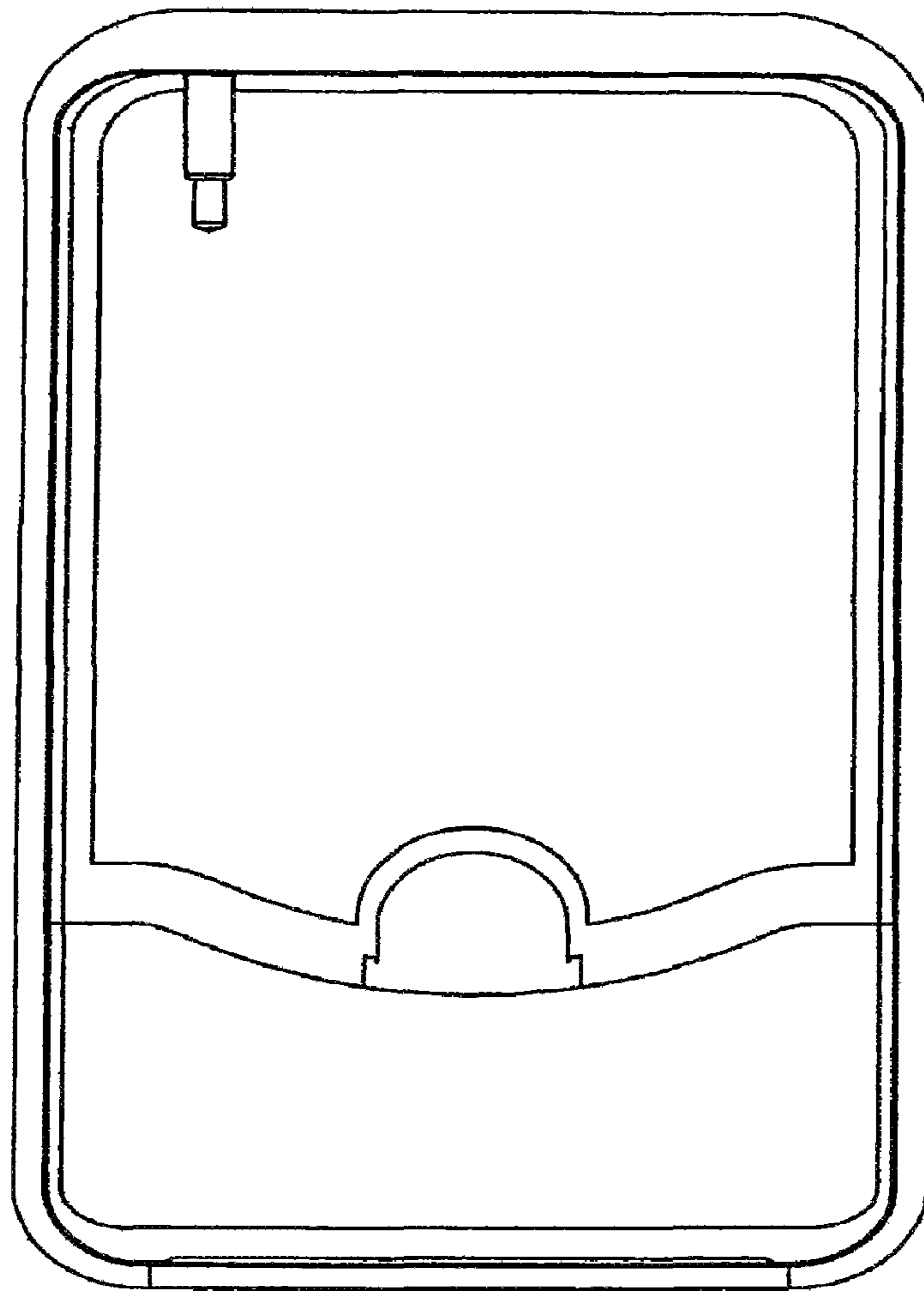


FIG. 3

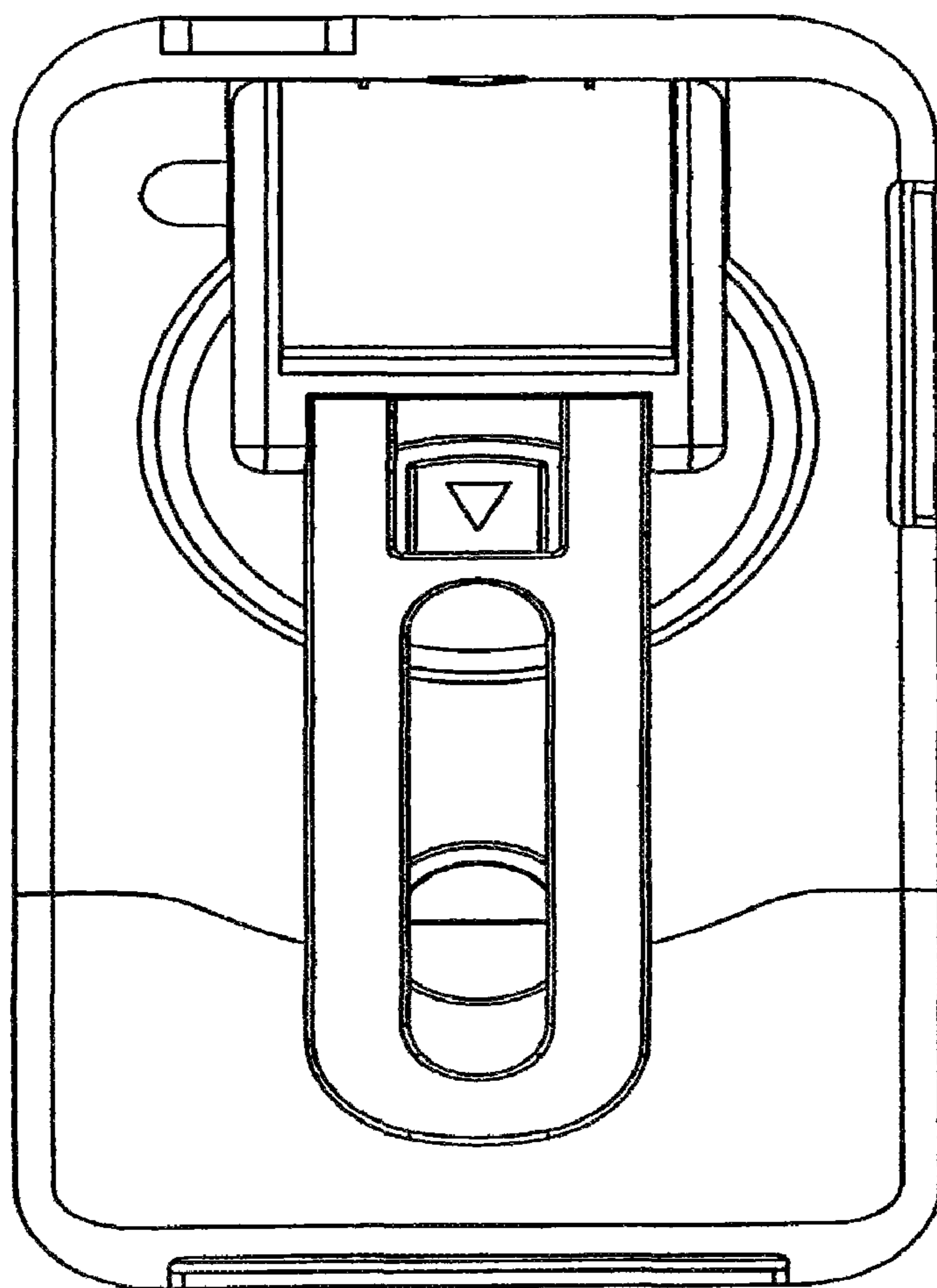


FIG. 4

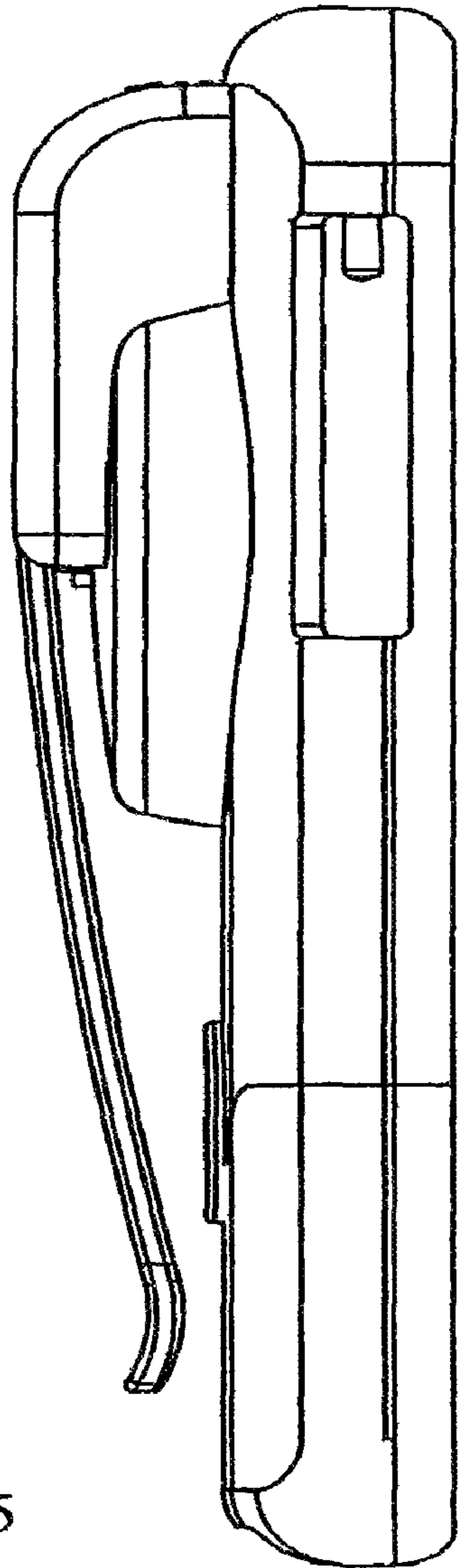


FIG. 5

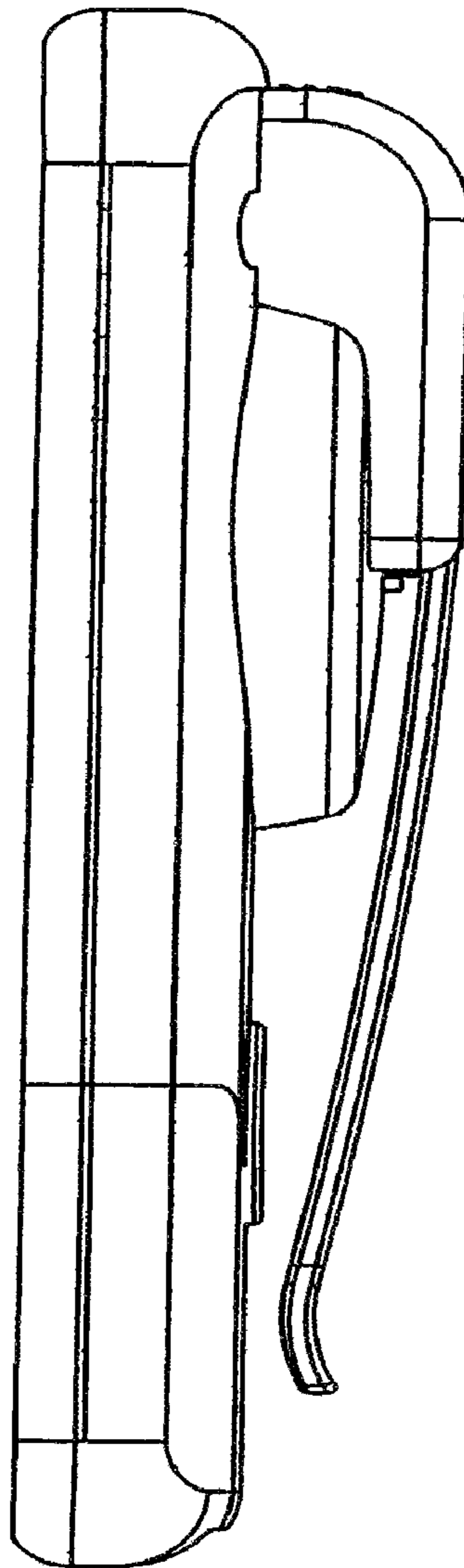


FIG. 6



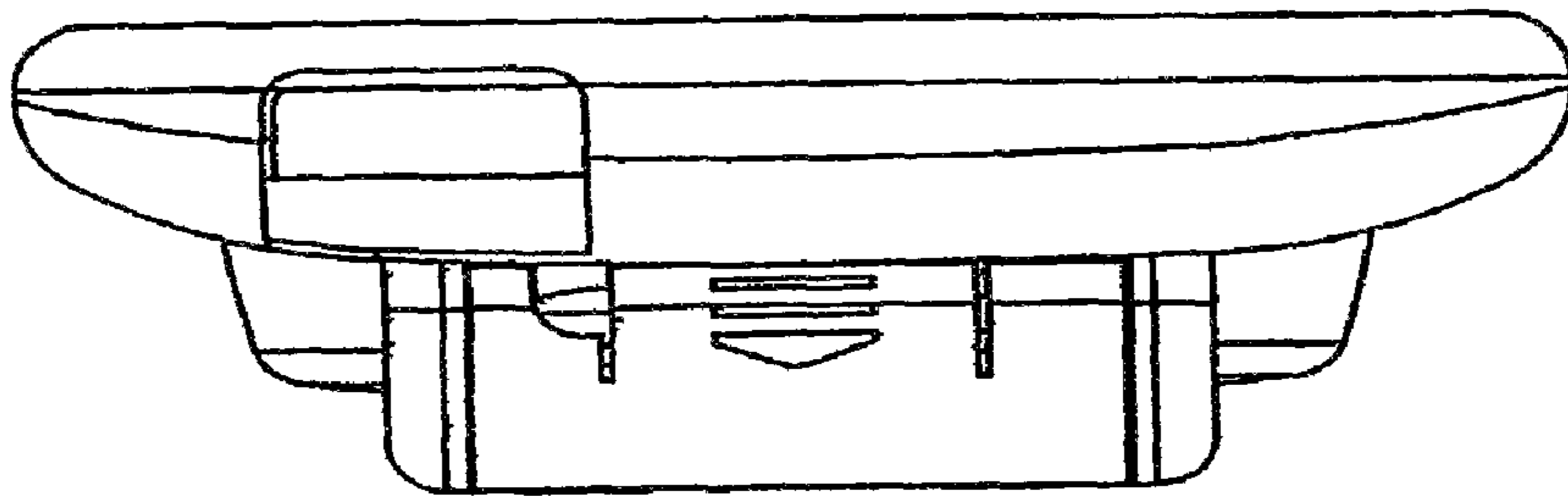


FIG. 7

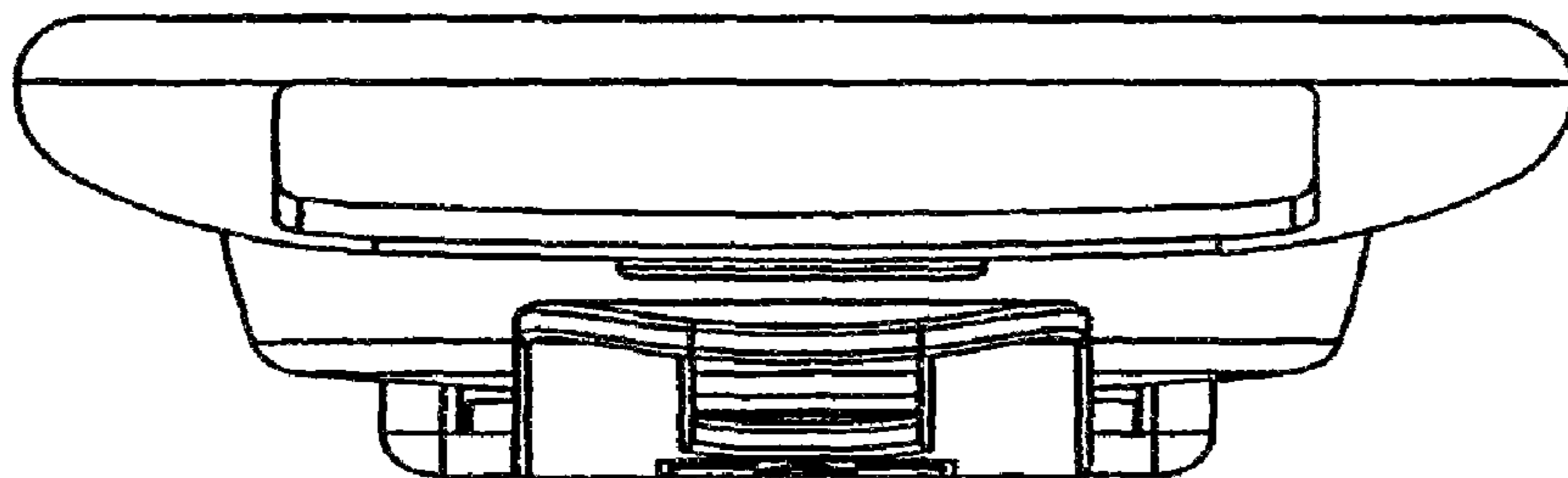


FIG. 8



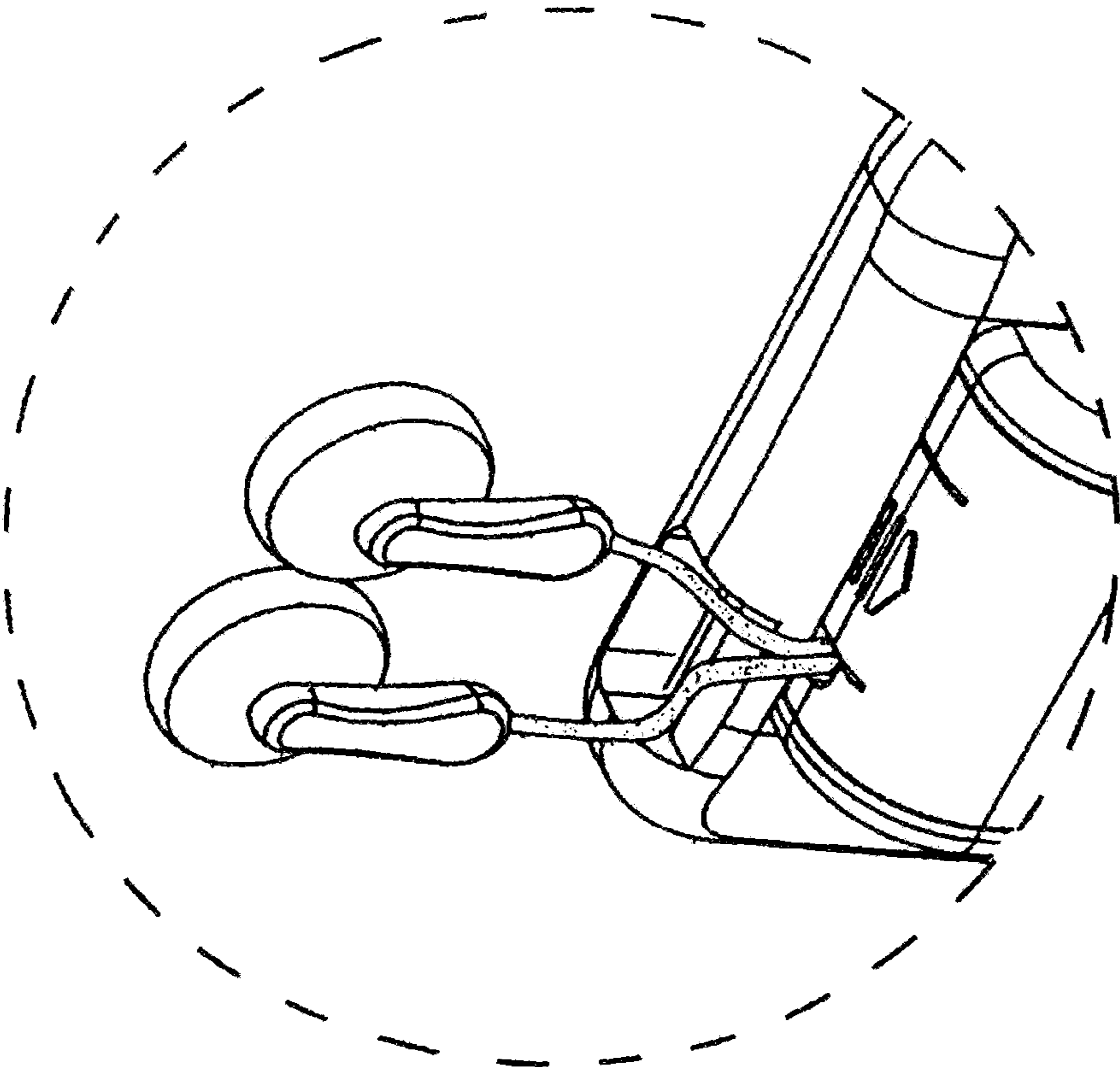


FIG. 9

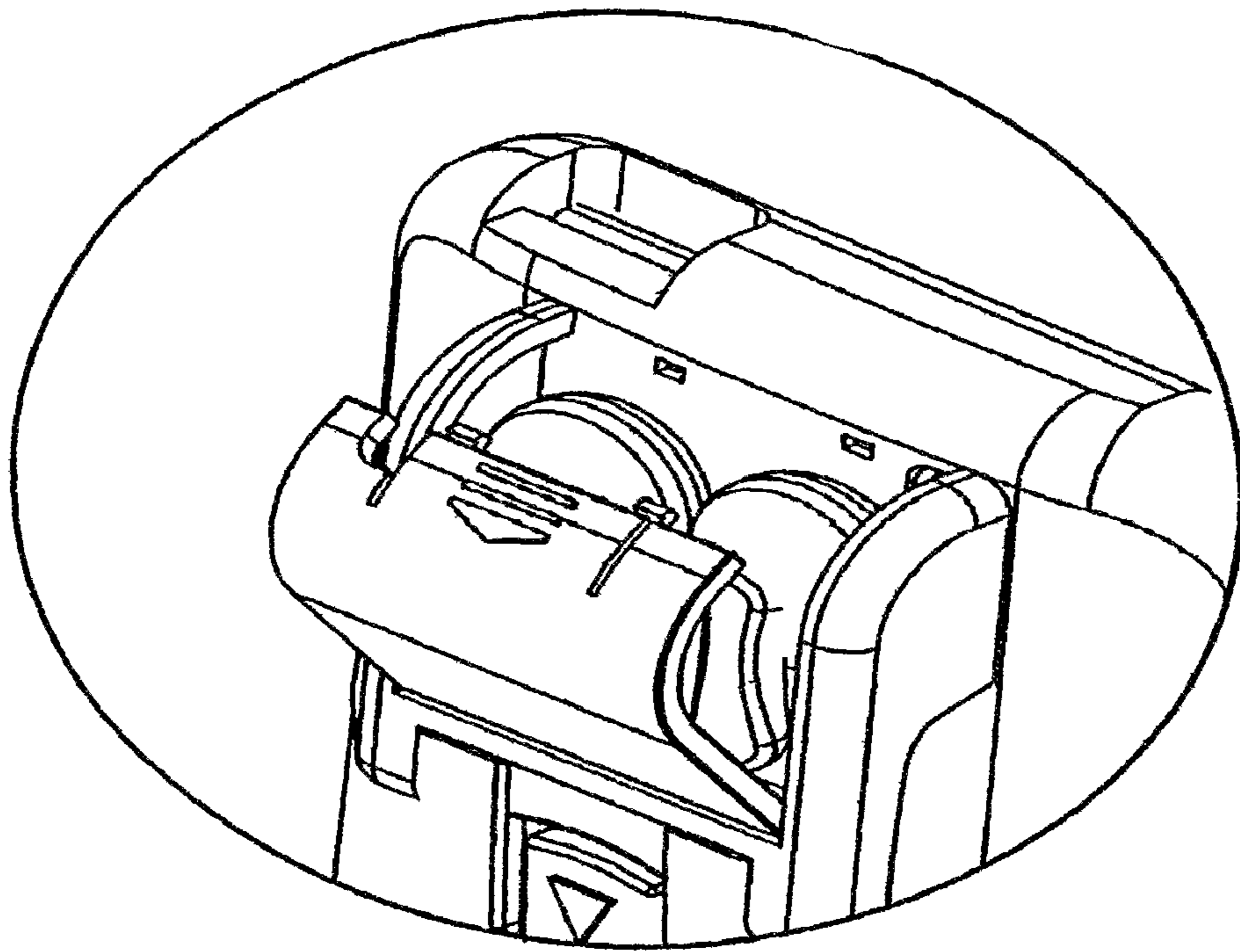


FIG. 10