



US00D676834S

(12) **United States Design Patent**
Lee et al.

(10) **Patent No.:** **US D676,834 S**
(45) **Date of Patent:** **** Feb. 26, 2013**

(54) **HEADPHONE**

(75) Inventors: **Noel Lee**, Las Vegas, NV (US);
Kendrew Lee, Tsing Yi (HK); **Li Hoi Yee**, Tsuen Wan (HK)

(73) Assignee: **Monster, LLC**, Las Vegas, NV (US)

(**) Term: **14 Years**

(21) Appl. No.: **29/407,745**

(22) Filed: **Dec. 1, 2011**

(51) **LOC (9) Cl.** **14-01**

(52) **U.S. Cl.** **D14/223**

(58) **Field of Classification Search** D14/205,
D14/223; 181/129, 130, 135; 379/430, 431;
381/338, 380, 381; 455/575.1, 90.3
See application file for complete search history.

(56) **References Cited**

U.S. PATENT DOCUMENTS

2,430,229	A *	11/1947	Kelsey	381/338
5,410,608	A *	4/1995	Lucey et al.	381/360
D424,568	S *	5/2000	Gerdom	D14/223
D428,875	S *	8/2000	Gerdom	D14/223
D444,142	S *	6/2001	Gerdom	D14/223
D454,554	S *	3/2002	Gerdom	D14/223
D510,337	S *	10/2005	Tages	D14/205
7,076,077	B2 *	7/2006	Atsumi et al.	381/380
D550,656	S *	9/2007	Gerdom et al.	D14/223
D580,414	S *	11/2008	Chapman	D14/225
D594,441	S	6/2009	Lee et al.		

D594,853	S *	6/2009	Guccione et al.	D14/223
D598,901	S	8/2009	Lee et al.		
D599,781	S *	9/2009	Lee et al.	D14/205
D600,675	S	9/2009	Lee et al.		
D637,182	S	5/2011	Lee et al.		
D641,008	S	7/2011	Lee et al.		
D642,163	S	7/2011	Lee et al.		
D643,417	S *	8/2011	Lee et al.	D14/223
D643,418	S	8/2011	Lee et al.		
D643,833	S	8/2011	Lee et al.		
D652,822	S *	1/2012	Lee et al.	D14/223
D660,290	S *	5/2012	Weedon	D14/223

* cited by examiner

Primary Examiner — Paula Greene

(74) *Attorney, Agent, or Firm* — LaRiviere, Grubman & Payne, LLP

(57) **CLAIM**

The ornamental design for a headphone, as shown and described.

DESCRIPTION

FIG. 1 is a front perspective view of a headphone, showing our design;

FIG. 2 is a rear perspective view thereof;

FIG. 3 is front view thereof;

FIG. 4 is a rear view thereof;

FIG. 5 is a side view thereof;

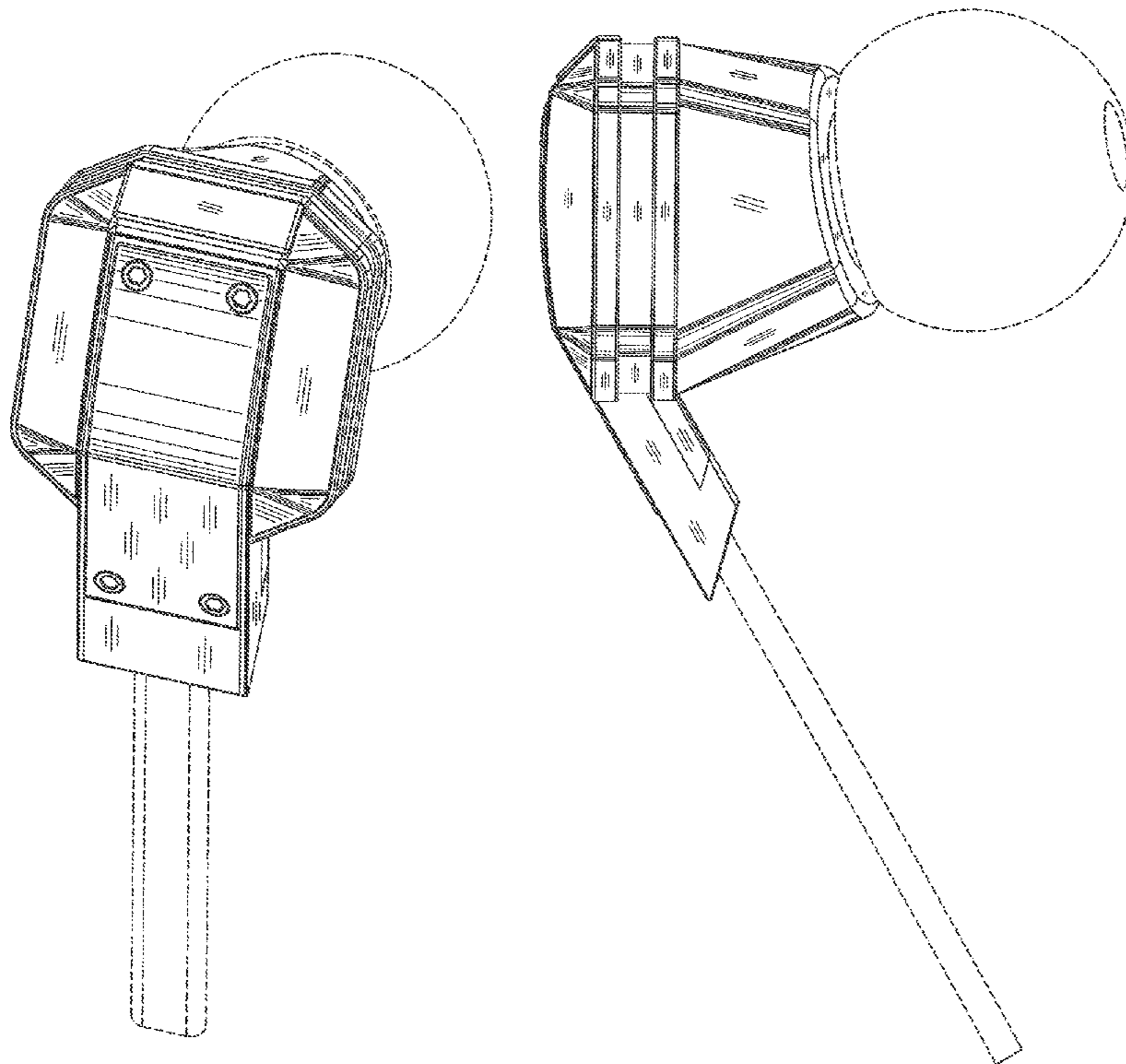
FIG. 6 is an opposing side view thereof;

FIG. 7 is a top view thereof; and,

FIG. 8 is a bottom view thereof.

The broken lines form no part of the claimed design.

1 Claim, 4 Drawing Sheets



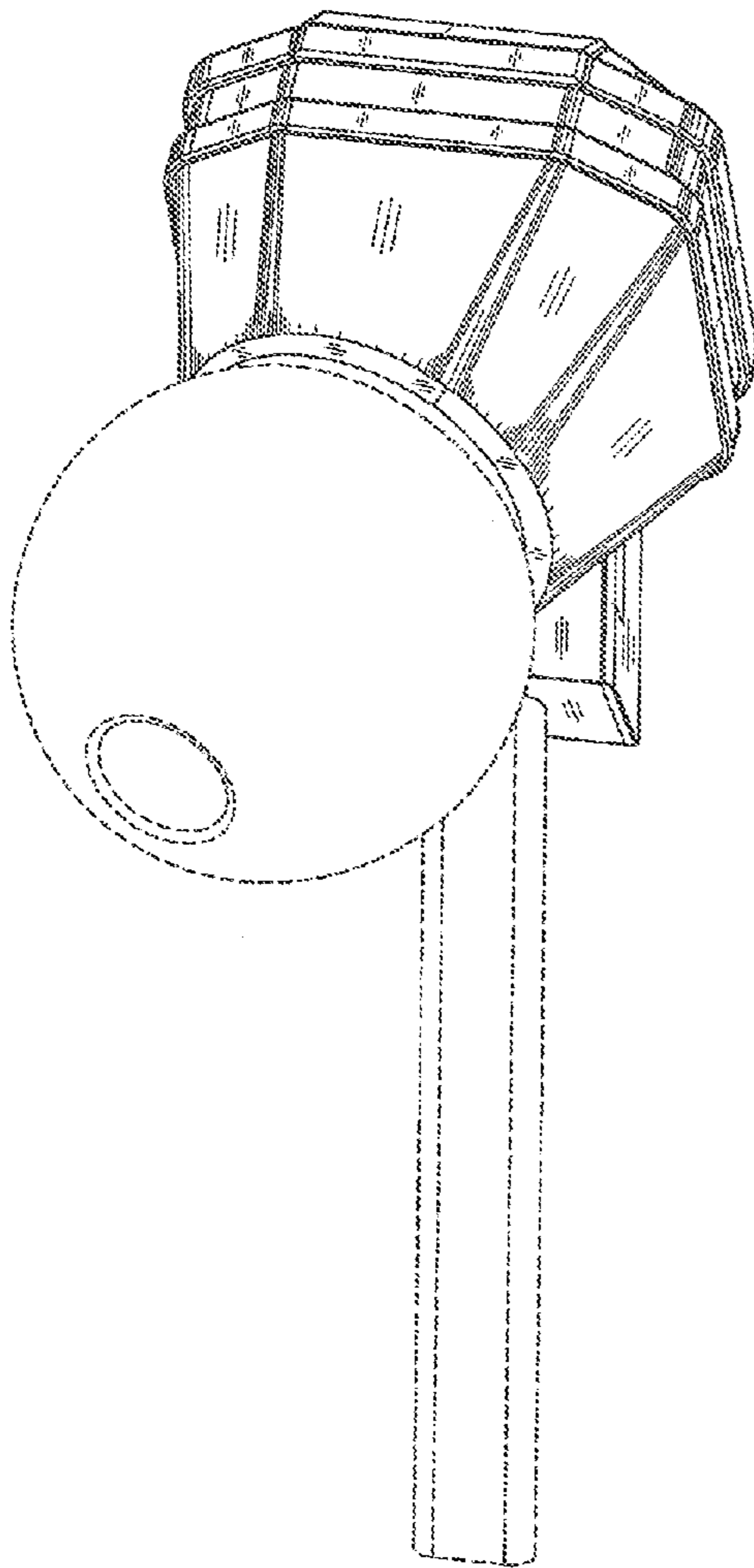


Figure 1

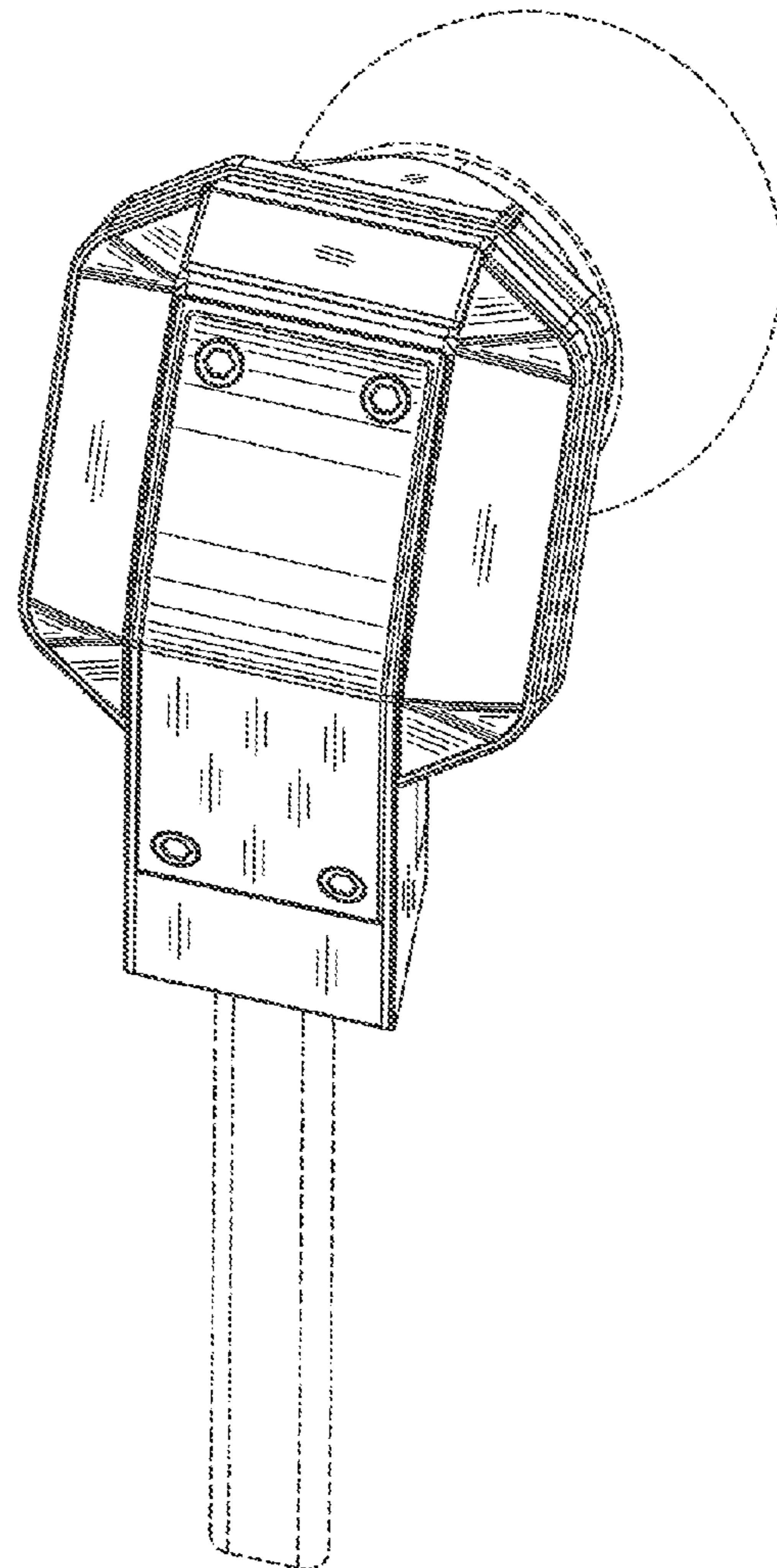


Figure 2

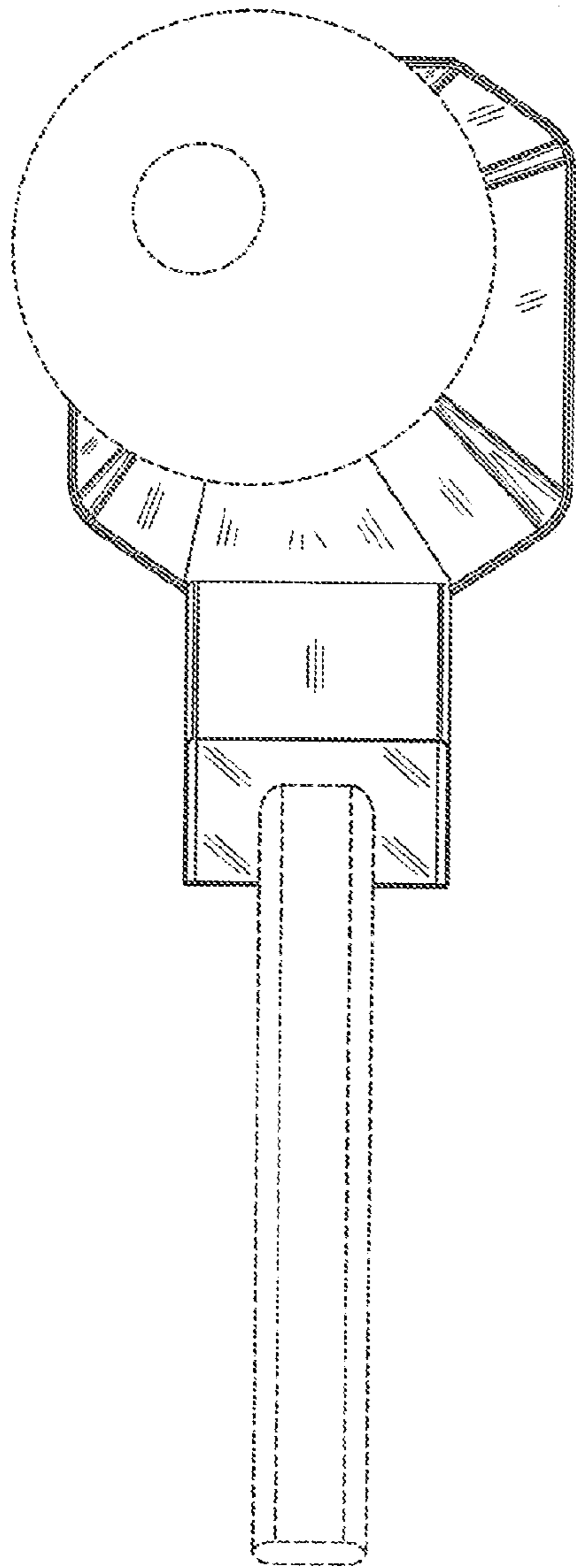


Figure 3

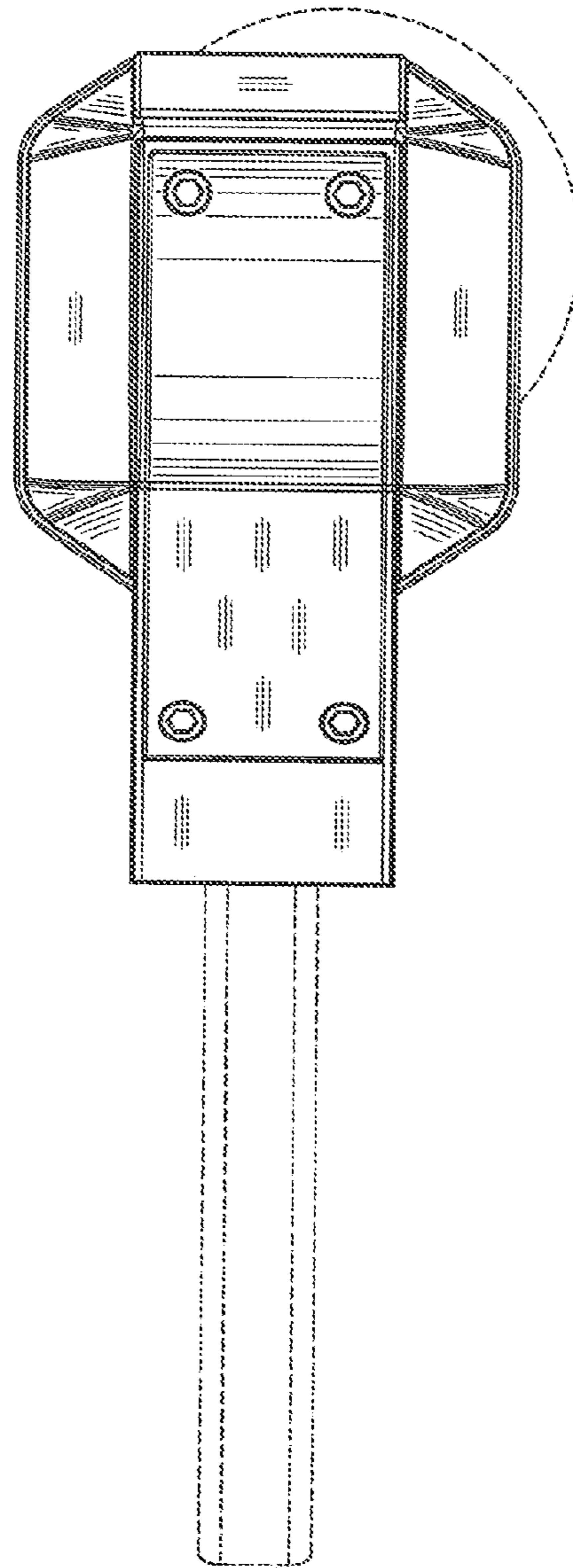


Figure 4

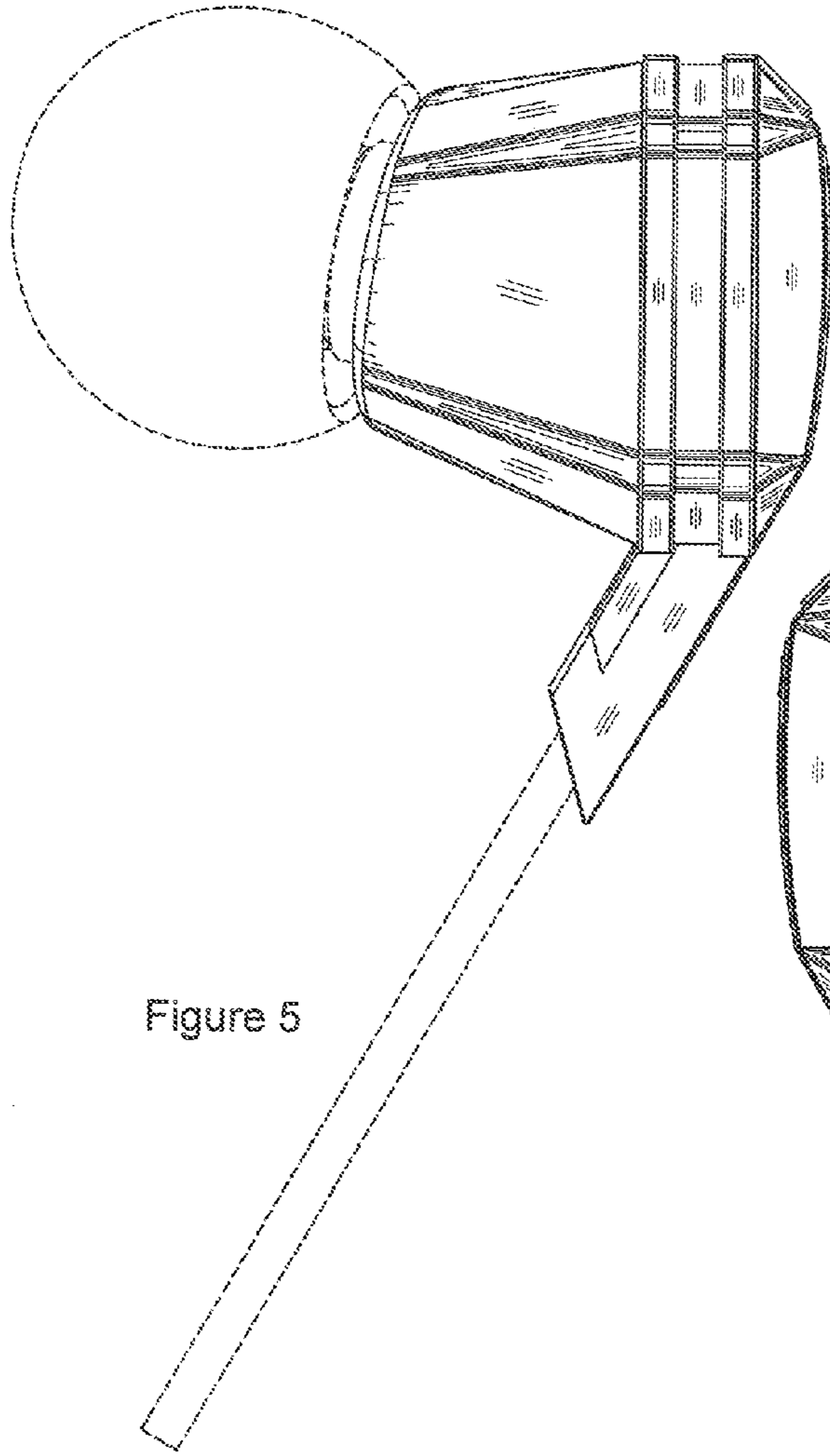


Figure 5

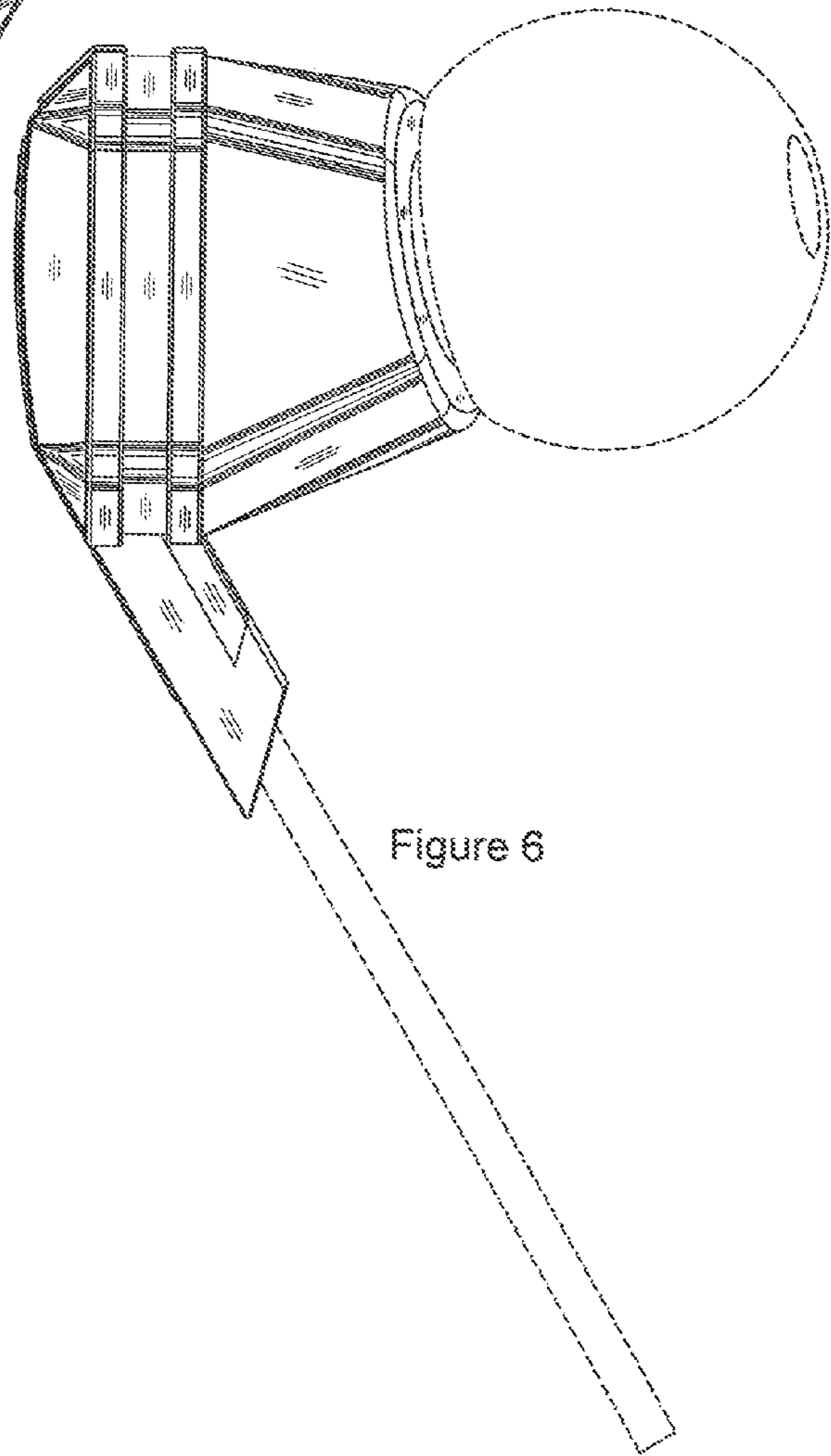


Figure 6

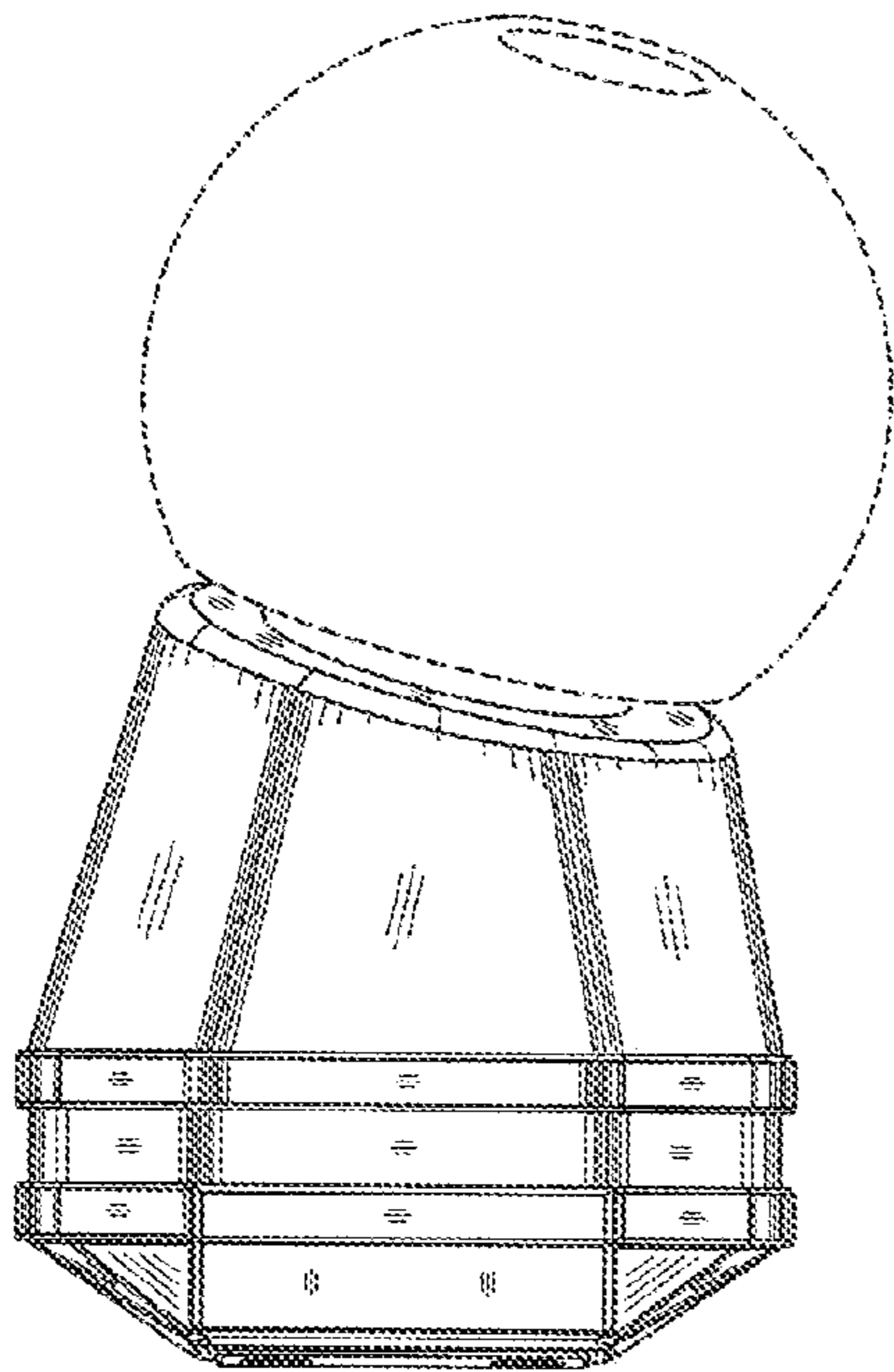


Figure 7

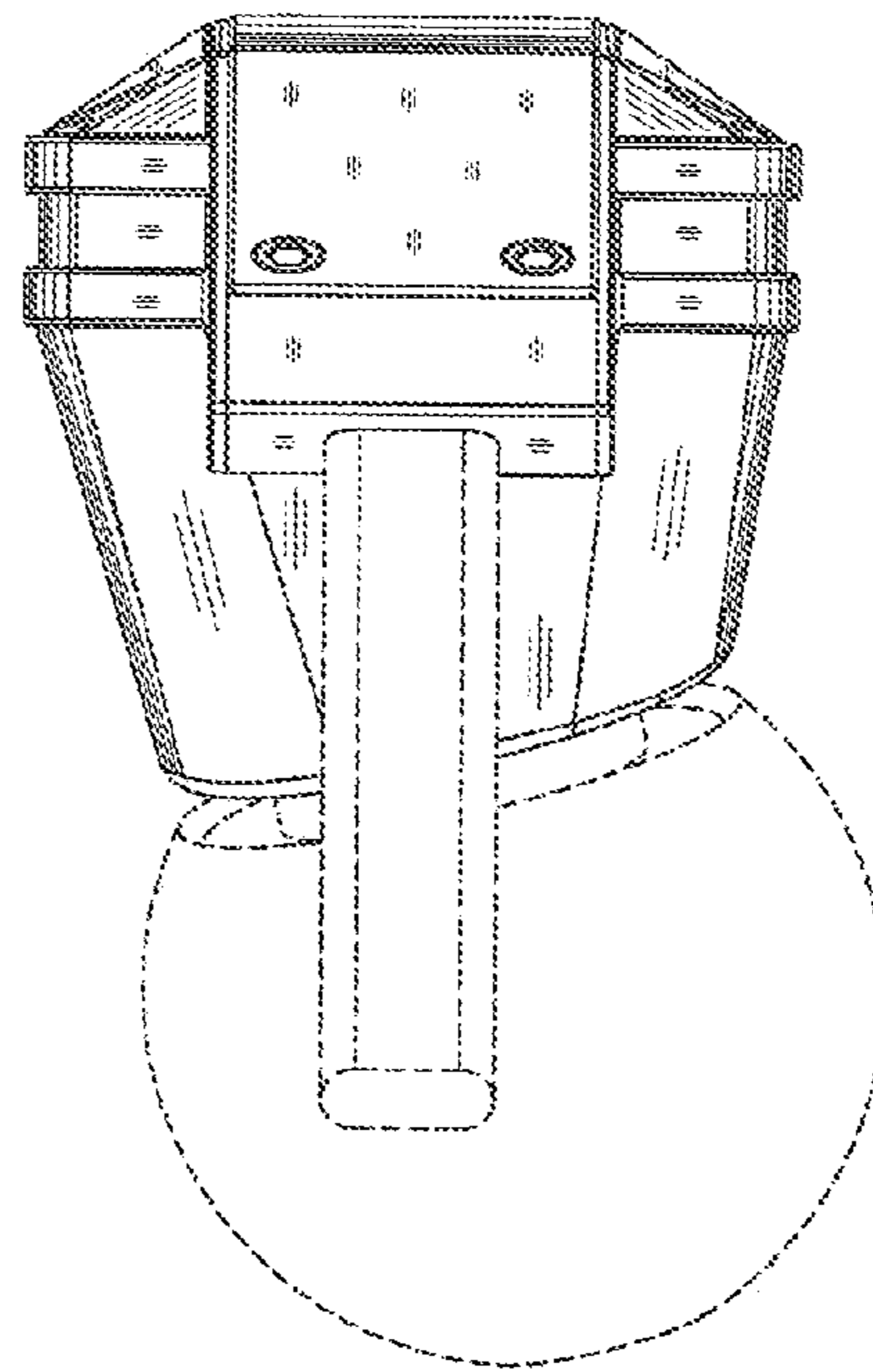


Figure 8