



US00D676833S

(12) **United States Design Patent**  
**Garcia et al.**

(10) **Patent No.:** **US D676,833 S**

(45) **Date of Patent:** **\*\* \*Feb. 26, 2013**

(54) **EARPHONE CABLE MANAGER/ORGANIZER**

(76) Inventors: **Francisco Garcia**, Aventura, FL (US);  
**Gustavo J. Leon**, Aventura, FL (US)

(\* ) Notice: This patent is subject to a terminal disclaimer.

(\*\*) Term: **14 Years**

(21) Appl. No.: **29/403,461**

(22) Filed: **Oct. 6, 2011**

(51) **LOC (9) Cl.** ..... **14-01**

(52) **U.S. Cl.** ..... **D14/223**

(58) **Field of Classification Search** ..... D14/223,  
D14/224, 229; D8/382, 356, 358; 181/129,  
181/130, 135; 381/384, 374, 371; 24/18;  
383/71; 439/501; 242/400.1

See application file for complete search history.

(56) **References Cited**

**U.S. PATENT DOCUMENTS**

1,830,014	A *	11/1931	Brady	.....	24/18
2,392,034	A *	1/1946	Ellis et al.	.....	383/96
3,019,500	A *	2/1962	Duffin et al.	.....	24/561
3,267,540	A *	8/1966	Wolcott et al.	.....	24/130
5,422,957	A *	6/1995	Cummins	.....	381/384
5,684,883	A *	11/1997	Chen	.....	381/385
D400,349	S *	11/1998	Young	.....	D3/208
5,832,098	A *	11/1998	Chen	.....	381/370
6,438,248	B1 *	8/2002	Kamimura et al.	.....	381/374
6,658,130	B2 *	12/2003	Huang	.....	381/384
6,866,219	B2 *	3/2005	Wei	.....	242/378.4
D505,859	S *	6/2005	Suzuki	.....	D8/358
D506,124	S *	6/2005	Strickland et al.	.....	D8/358
7,086,512	B2 *	8/2006	Shack et al.	.....	191/12.4

D542,123	S *	5/2007	Symons	.....	D8/356
D549,557	S *	8/2007	Mori et al.	.....	D8/356
D566,107	S *	4/2008	Bowling	.....	D14/223
7,372,974	B2 *	5/2008	Yanagishita et al.	.....	381/384
D575,143	S *	8/2008	Kuo et al.	.....	D8/394
D583,362	S *	12/2008	Hsu et al.	.....	D14/205
D585,880	S *	2/2009	Sade et al.	.....	D14/223
D596,927	S *	7/2009	Ting	.....	D8/356
D600,673	S *	9/2009	Kim et al.	.....	D14/205
D603,376	S *	11/2009	Blasko	.....	D14/223
D637,584	S *	5/2011	Peller	.....	D14/223
D660,291	S *	5/2012	Thomas et al.	.....	D14/223

\* cited by examiner

*Primary Examiner* — Paula Greene

(74) *Attorney, Agent, or Firm* — Fleit Gibbons Gutman  
Bongini & Bianco, PL; Gary S. Winer; Paul D. Bianco

(57) **CLAIM**

The ornamental design for an earphone cable manager/organizer, as shown and described.

**DESCRIPTION**

FIG. 1 is a perspective view of an earphone cable manager/organizer;

FIG. 2 is a front elevational view thereof;

FIG. 3 is a rear elevational view thereof;

FIG. 4 is a right-side elevational view thereof, the left-side elevational view being a mirror image;

FIG. 5 is a bottom plan view thereof;

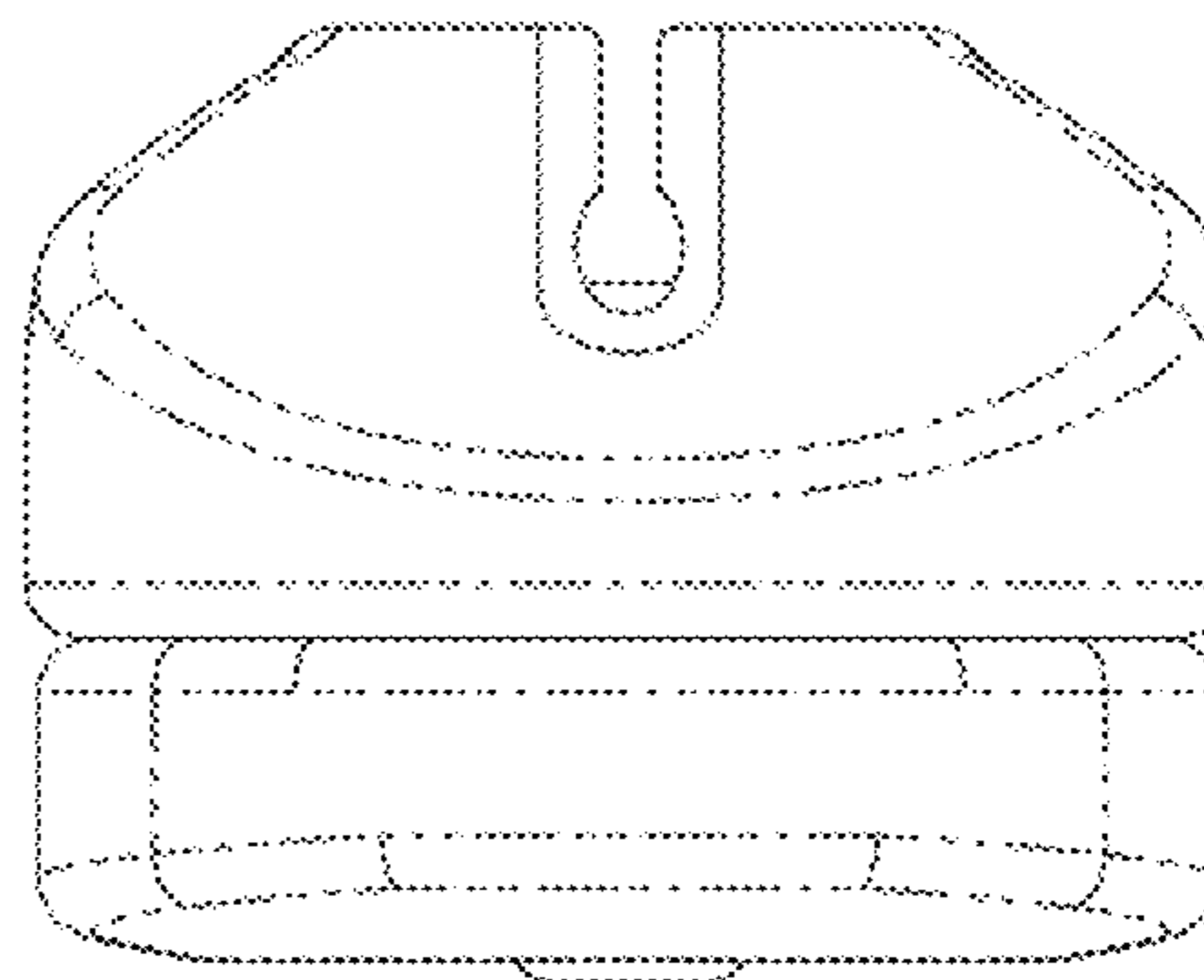
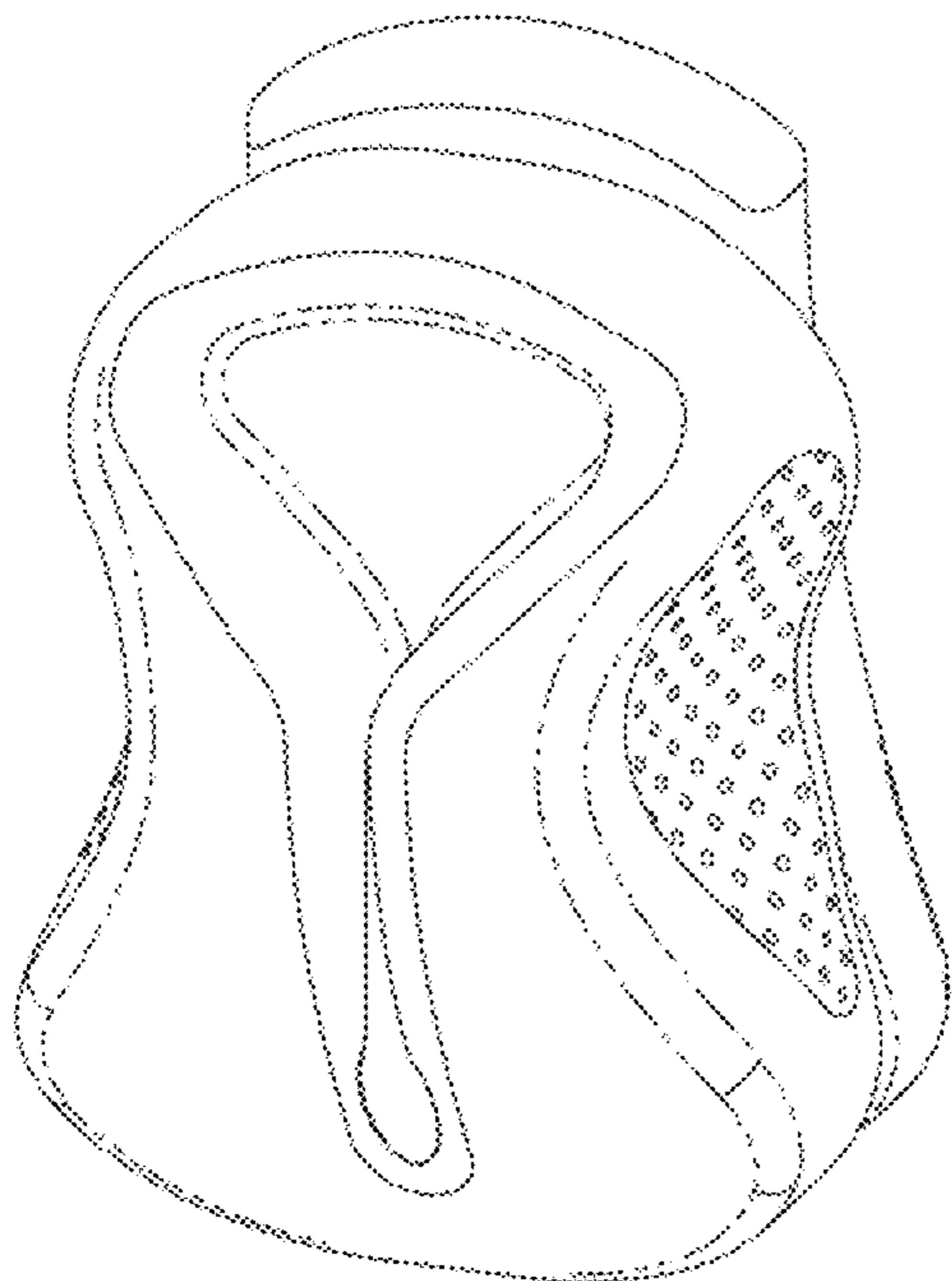
FIG. 6 is a top plan view thereof;

FIG. 7 is a perspective view with the bottom detached; and,

FIG. 8 is a right-side elevational view with the bottom detached.

The broken lines showing in the figures represent contours.

**1 Claim, 7 Drawing Sheets**



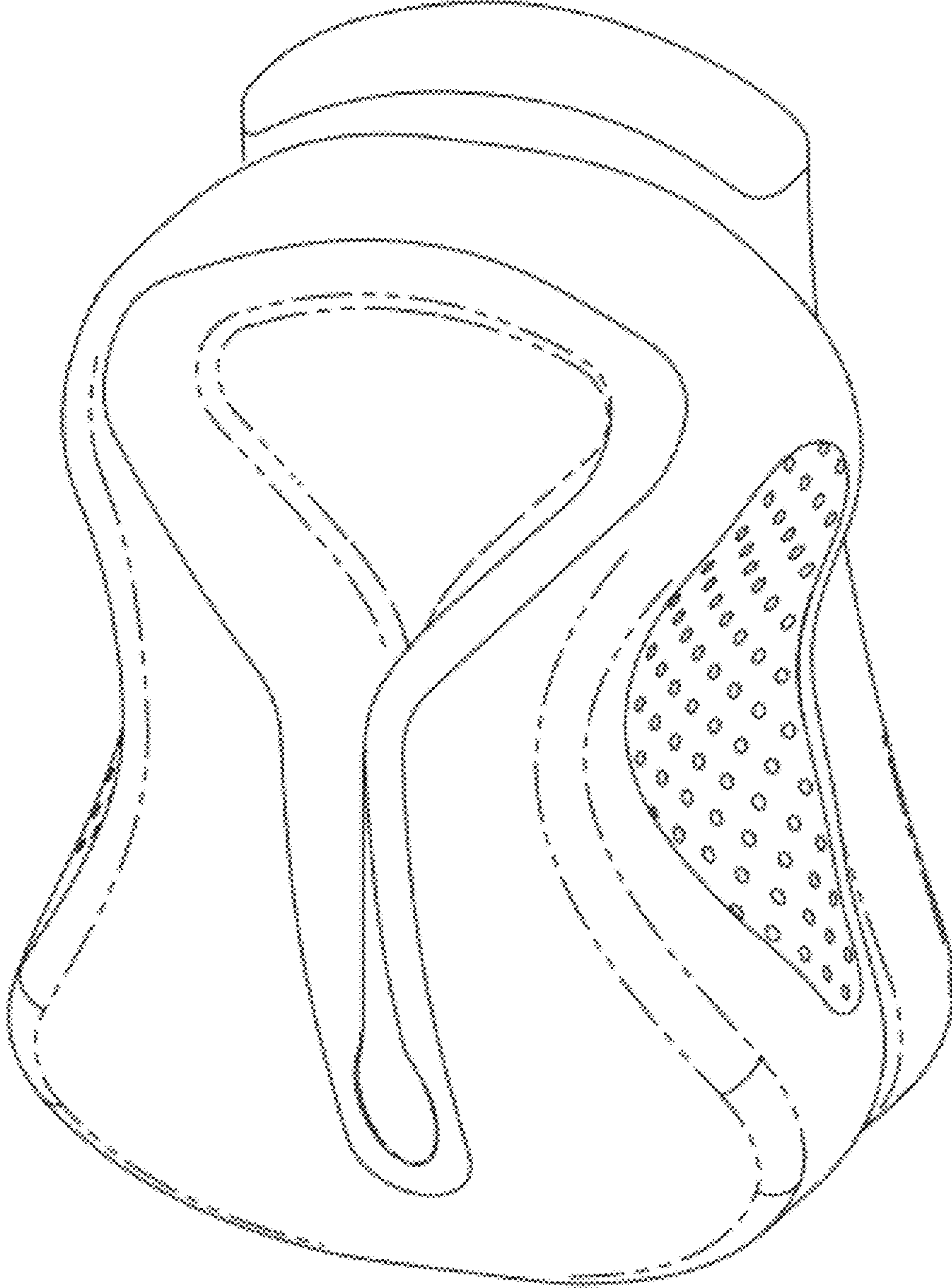


FIG. 1

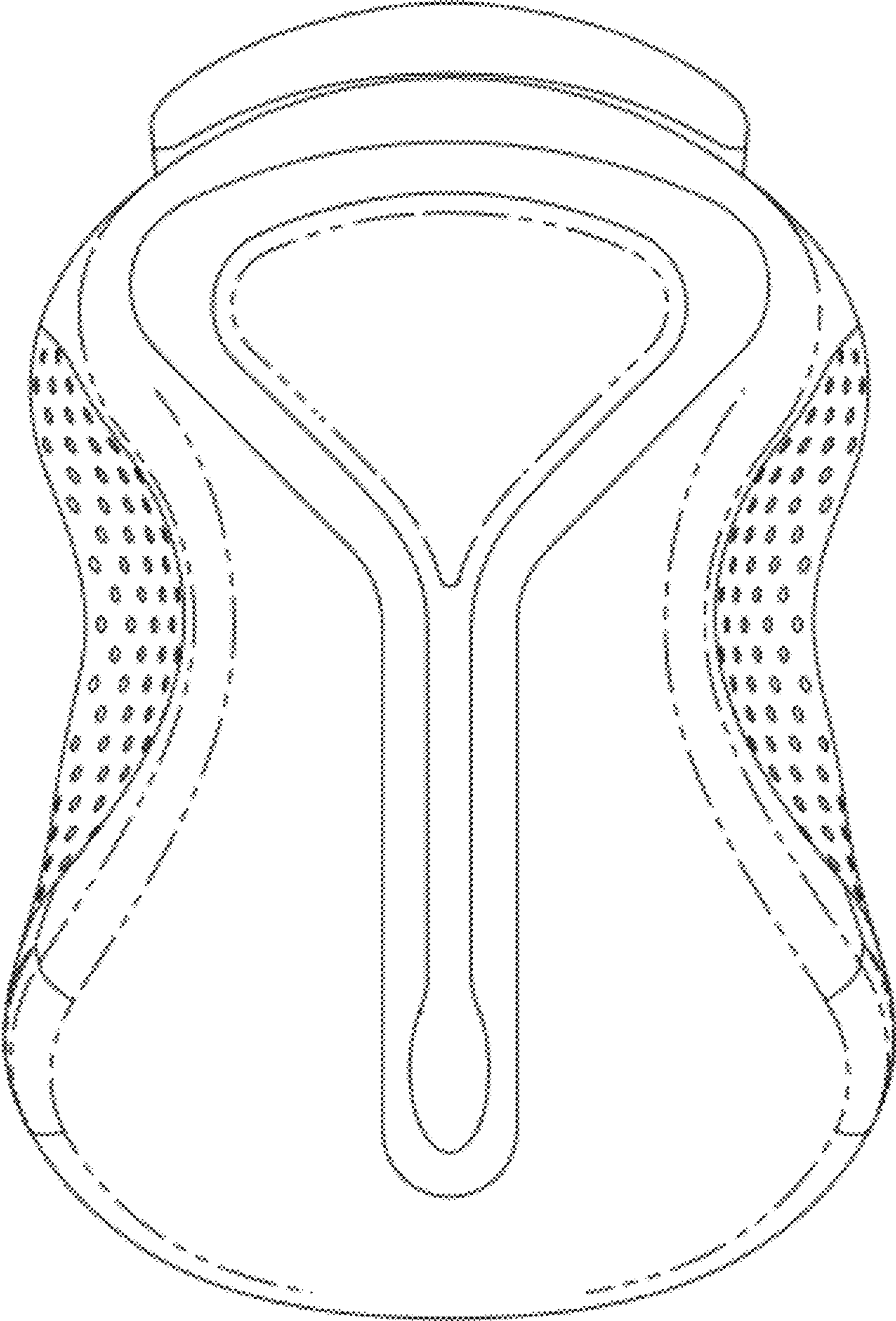


FIG. 2

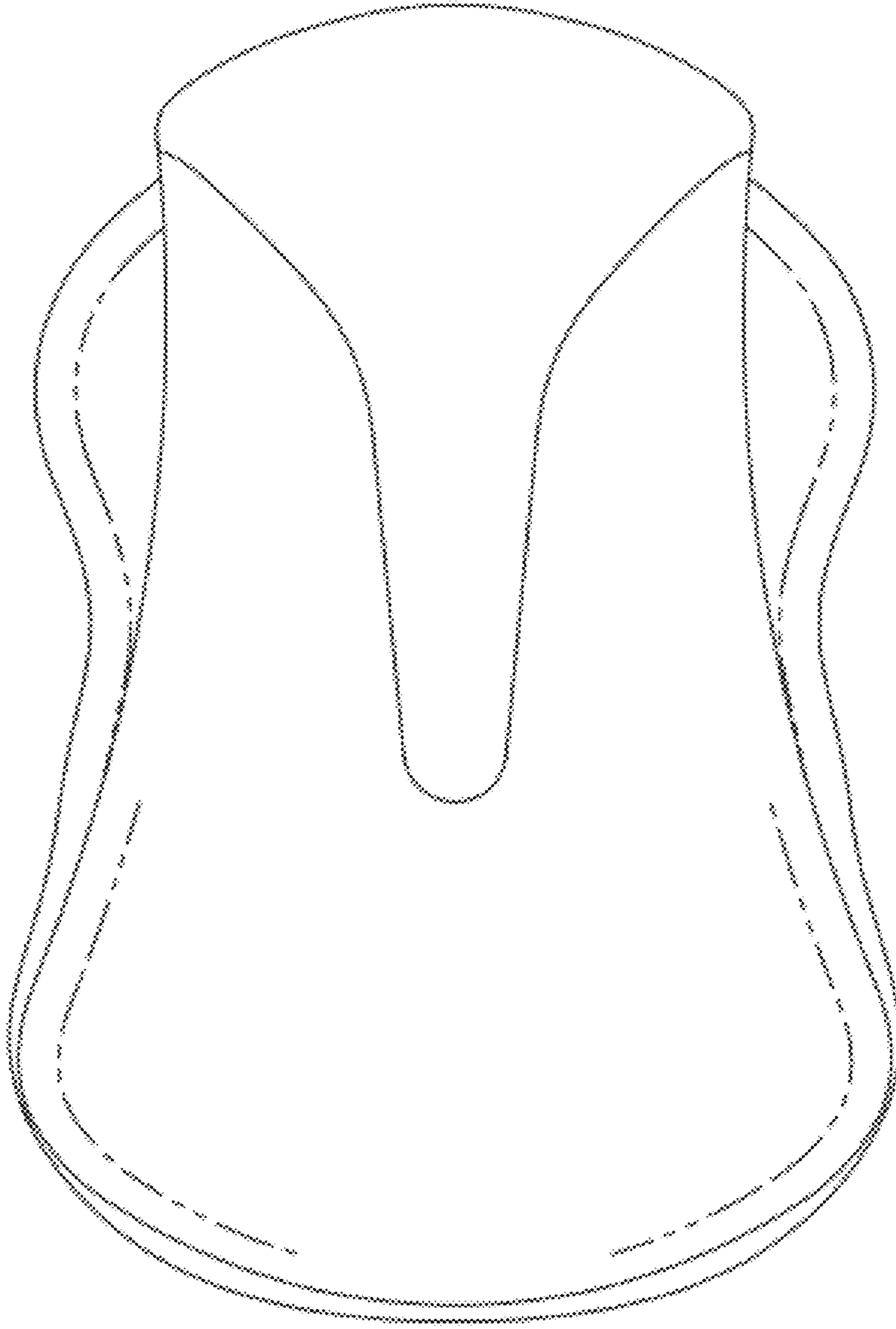


FIG. 3

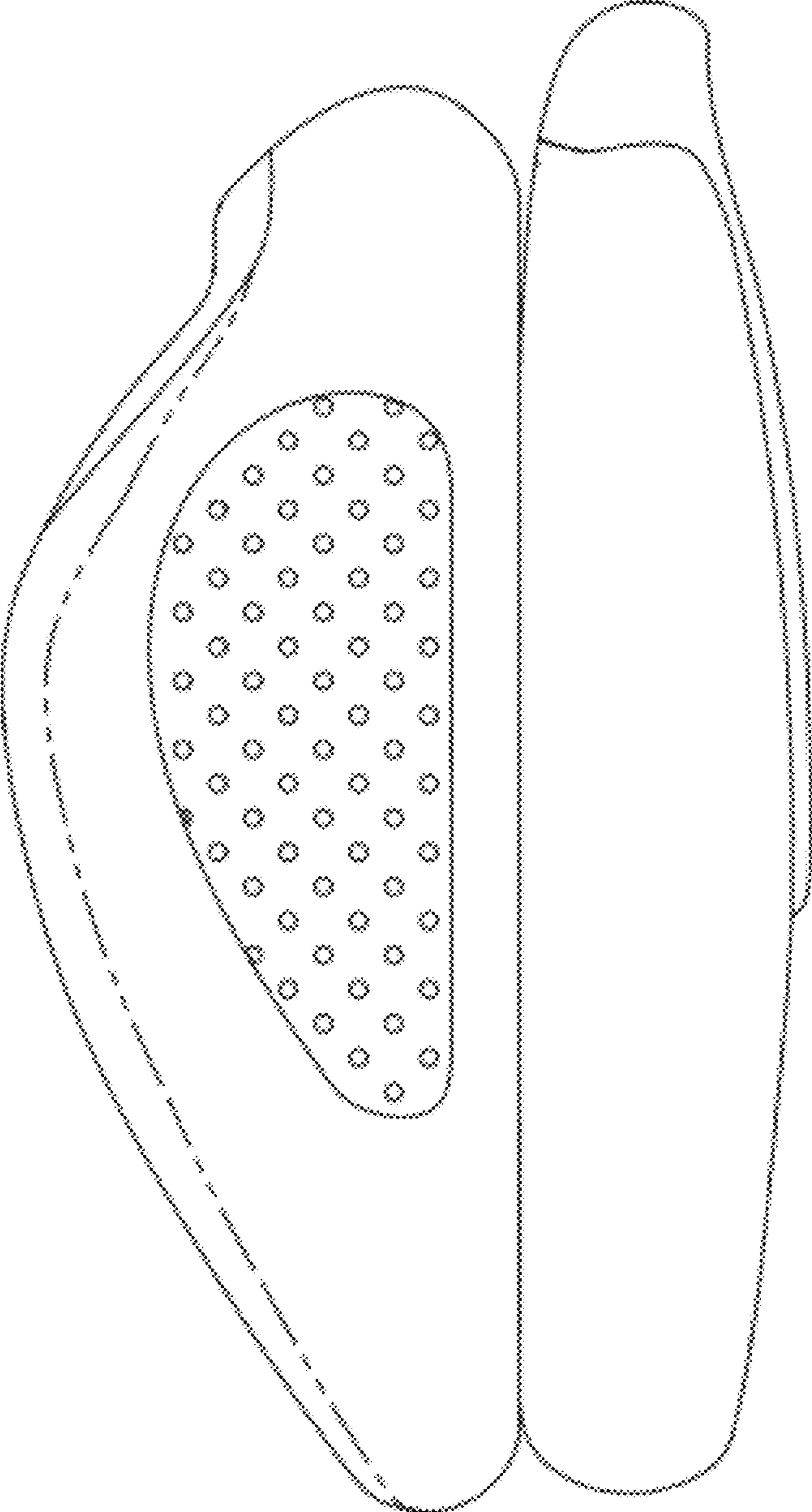


FIG. 4

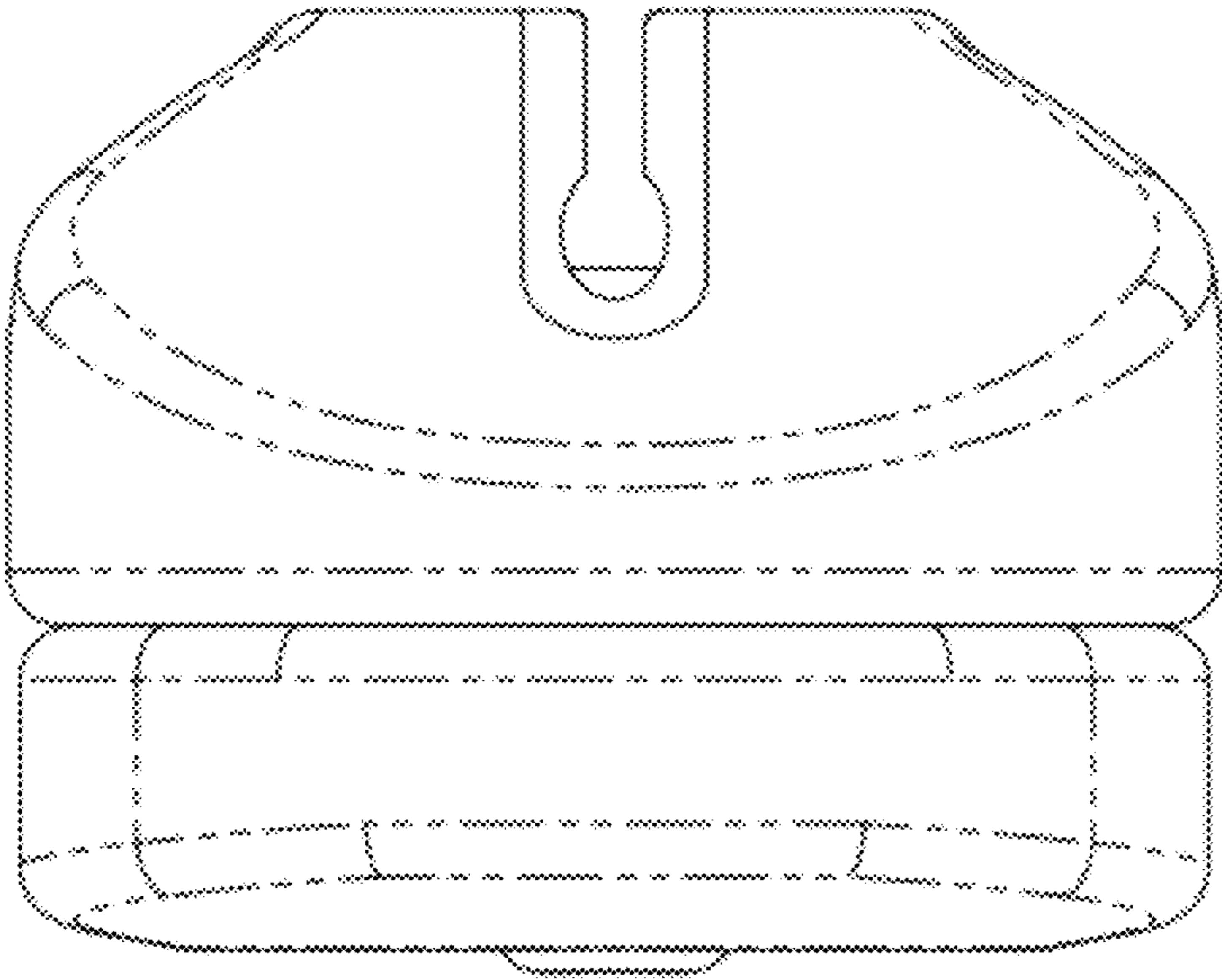


FIG. 5

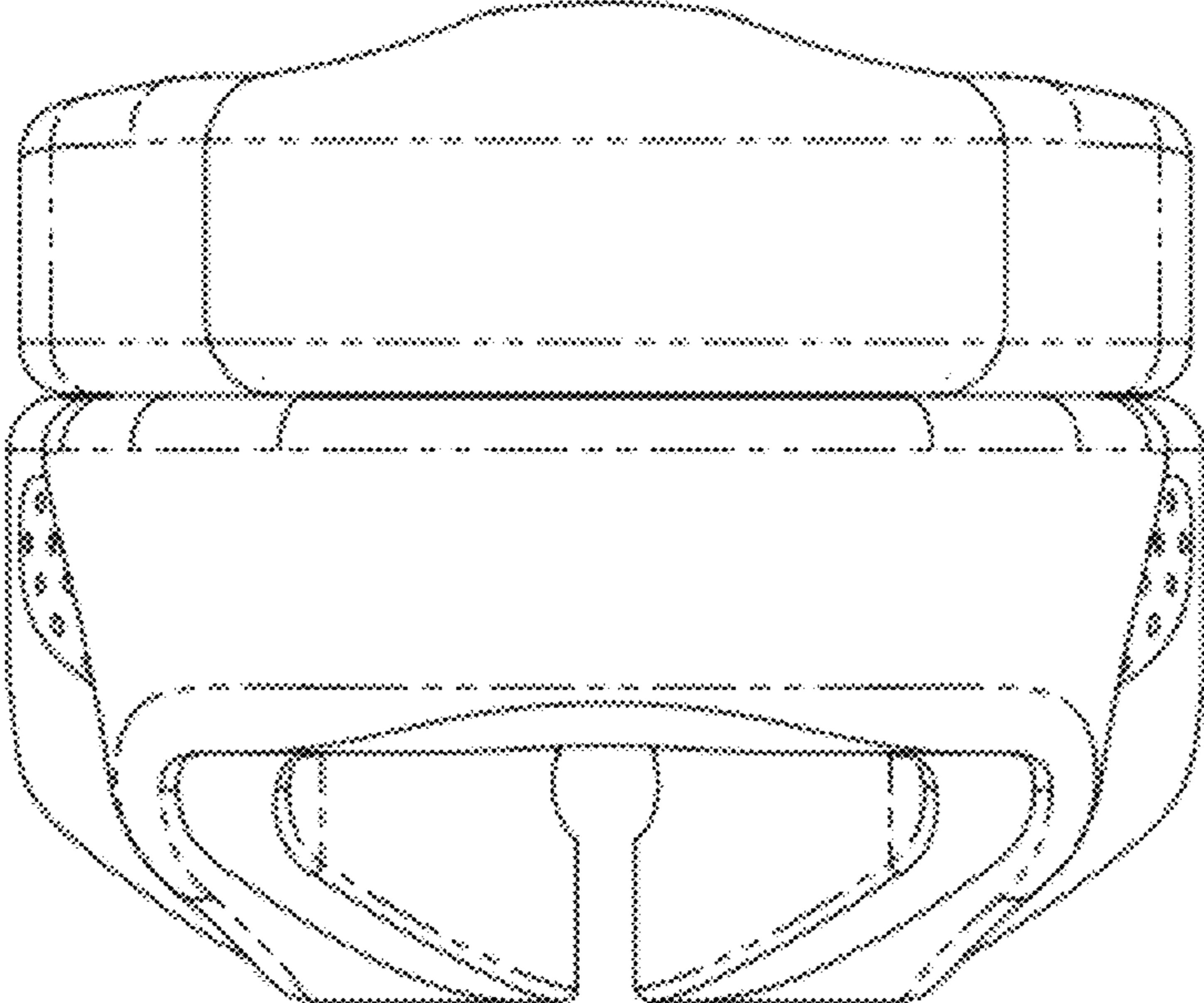


FIG. 6

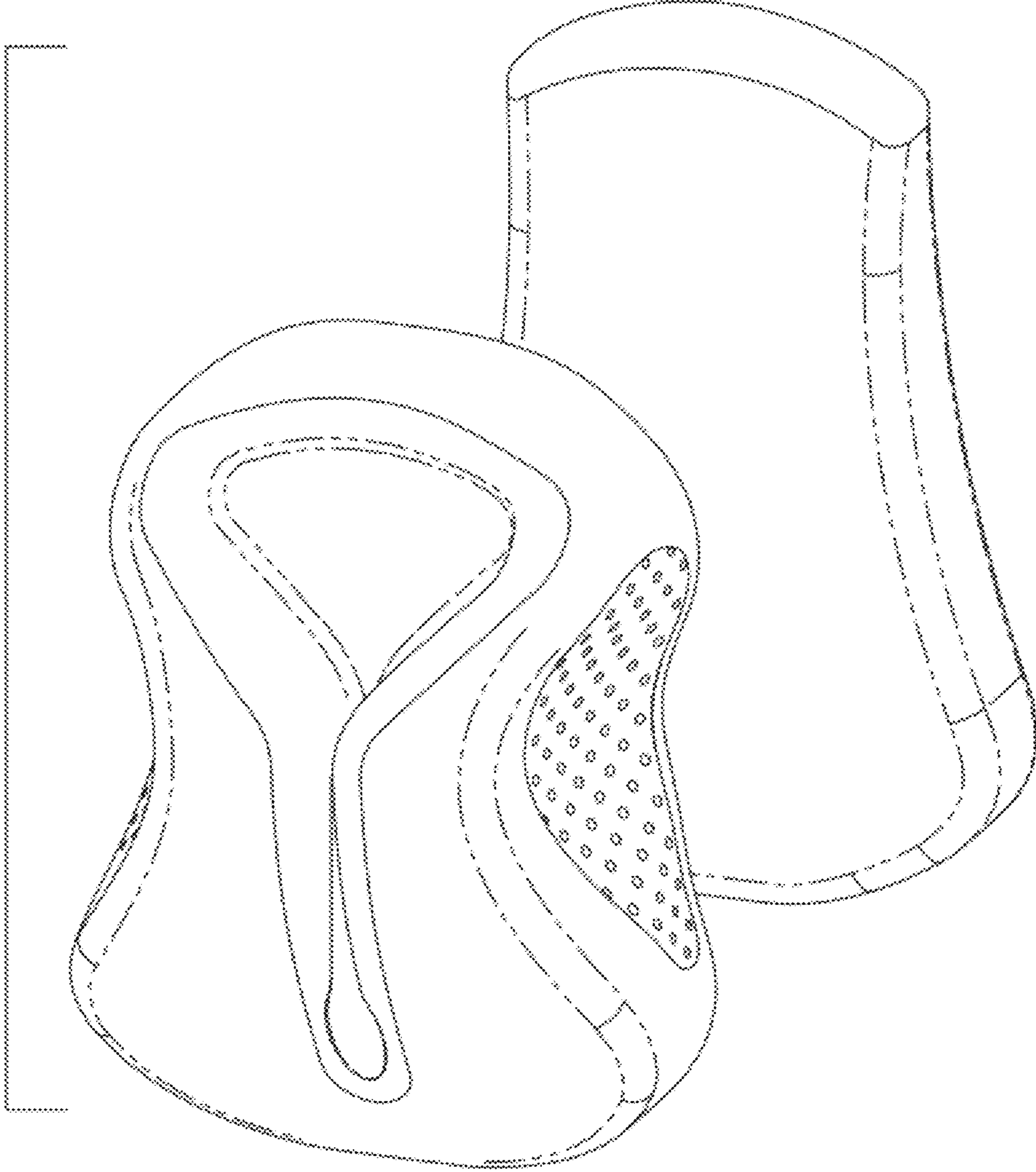


FIG. 7

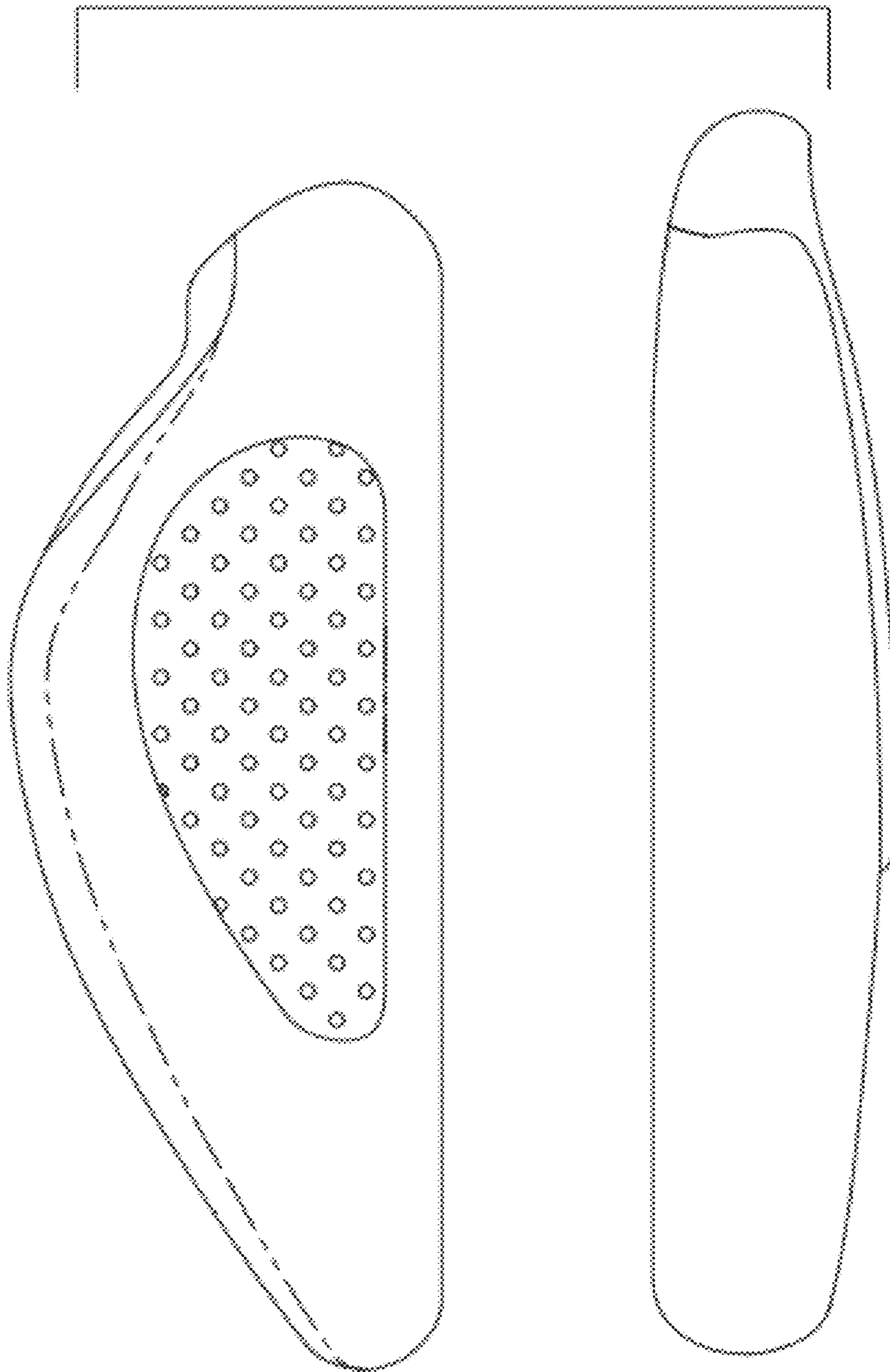


FIG. 8