

US00D676832S

(12) **United States Design Patent**
Akana et al.

(10) **Patent No.:** **US D676,832 S**
(45) **Date of Patent:** **** Feb. 26, 2013**

(54) **DOCKING STATION**

(75) Inventors: **Jody Akana**, San Francisco, CA (US);
Bartley K. Andre, Menlo Park, CA (US); **Jeremy Bataillou**, San Francisco, CA (US); **Daniel J. Coster**, San Francisco, CA (US); **Daniele De Iuliis**, San Francisco, CA (US); **Evans Hankey**, San Francisco, CA (US); **Julian Hoenig**, San Francisco, CA (US); **Richard P. Howarth**, San Francisco, CA (US); **Jonathan P. Ive**, San Francisco, CA (US); **Duncan Robert Kerr**, San Francisco, CA (US); **Shin Nishibori**, Kailua, HI (US); **Matthew Dean Rohrbach**, San Francisco, CA (US); **Peter Russell-Clarke**, San Francisco, CA (US); **Christopher J. Stringer**, Woodside, CA (US); **Eugene Antony Whang**, San Francisco, CA (US); **Rico Zorkendorfer**, San Francisco, CA (US)

(73) Assignee: **Apple Inc.**, Cupertino, CA (US)

(**) Term: **14 Years**

(21) Appl. No.: **29/423,144**

(22) Filed: **May 29, 2012**

Related U.S. Application Data

(63) Continuation of application No. 29/404,239, filed on Oct. 18, 2011, now Pat. No. Des. 662,084, which is a continuation of application No. 29/385,788, filed on Feb. 18, 2011, now Pat. No. Des. 648,325.

(51) **LOC (9) Cl.** **14-03**

(52) **U.S. Cl.** **D14/217; D14/434**

(58) **Field of Classification Search** D14/140, D14/142, 149, 155, 157, 188, 191-193, 203.1-203.8, D14/217, 240, 243, 251, 253, 432-435.1, D14/447, 451, 496, 474, 480.1-480.7; D13/107, D13/108, 118; 248/221.11, 309.1; 320/107, 320/110, 113-115; 361/600; 439/529, 534; 455/556.1-556.2, 557

See application file for complete search history.

(56) **References Cited**

U.S. PATENT DOCUMENTS

D465,532 S	11/2002	Hussaini et al.
D507,794 S	7/2005	Wang et al.
D515,062 S	2/2006	Winebrenner et al.
D540,802 S	4/2007	Hussaini et al.
D552,611 S	10/2007	Hagiwara et al.
D584,731 S	1/2009	Montgomery et al.
D607,879 S	1/2010	Ferber et al.
D608,351 S	1/2010	Song
D609,697 S	2/2010	Legrand et al.
D619,996 S	7/2010	Demskie et al.
D624,919 S	10/2010	Bull
D628,203 S	11/2010	Noble
D628,562 S	12/2010	Akana et al.
D631,009 S	1/2011	Son et al.
D635,918 S	4/2011	Le et al.
D642,121 S	7/2011	Lee et al.

(Continued)

FOREIGN PATENT DOCUMENTS

KR 3003928710000 9/2005

OTHER PUBLICATIONS

Co-pending U.S. Appl. No. 29/417,701, Inventors Akana et al., "Docking Station", filed Apr. 6, 2012 (Not Published).

Primary Examiner — Keli L Hill

(74) *Attorney, Agent, or Firm* — Sterne, Kessler, Goldstein & Fox P.L.L.C.

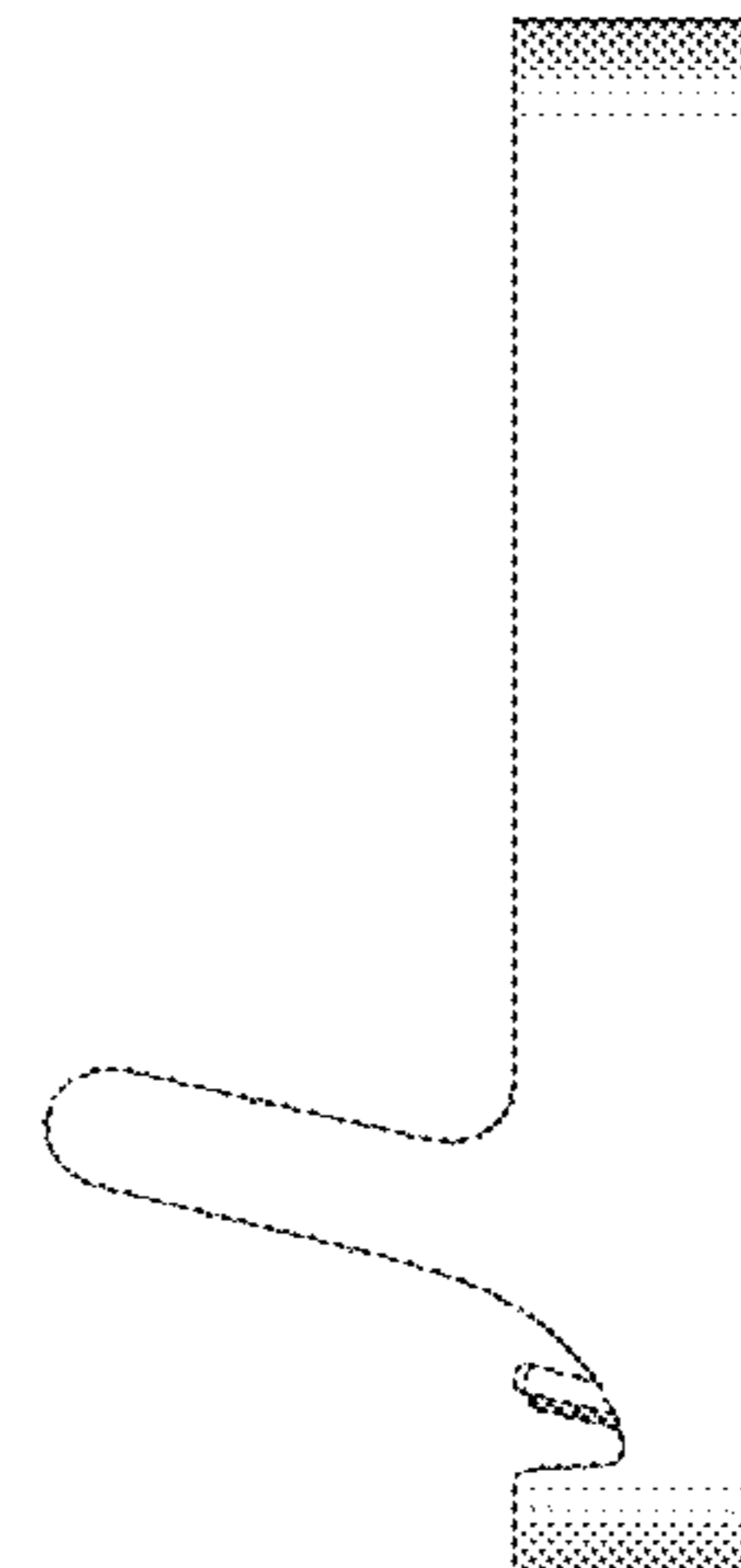
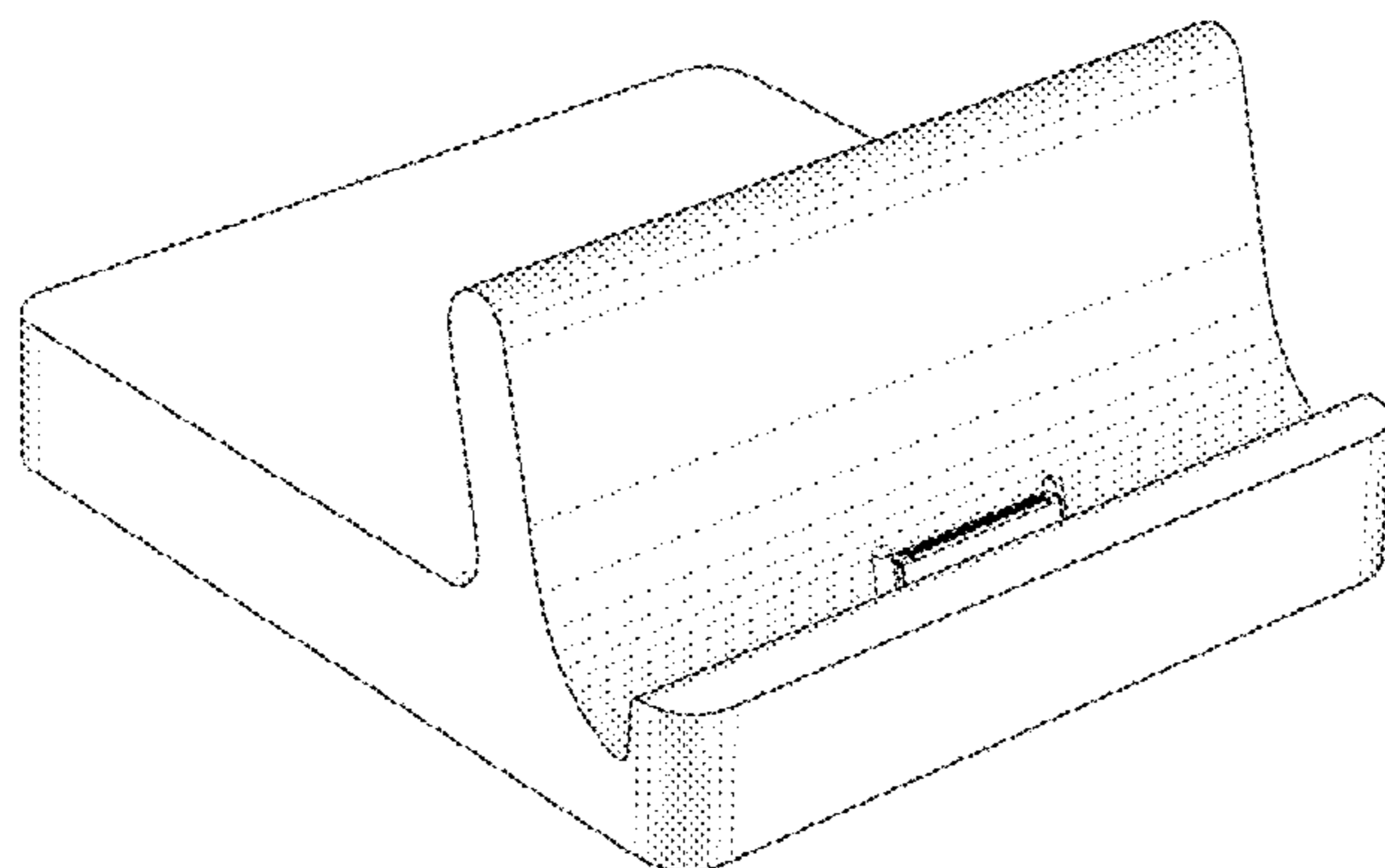
(57) **CLAIM**

The ornamental design for a docking station, as shown and described.

DESCRIPTION

FIG. 1 is a top front perspective view of a docking station showing our new design;
FIG. 2 is a bottom front perspective view thereof;
FIG. 3 is a top plan view thereof;
FIG. 4 is a bottom plan view thereof;
FIG. 5 is a left side view thereof;
FIG. 6 is a right side view thereof;
FIG. 7 is a front view thereof; and,
FIG. 8 is a rear view thereof.
The shade lines in the Figures show contour and not surface ornamentation.

1 Claim, 8 Drawing Sheets



US D676,832 S

Page 2

U.S. PATENT DOCUMENTS

D642,519 S	8/2011	Woo et al.	
D642,520 S	8/2011	Chun et al.	
D645,867 S	9/2011	Wong et al.	
D646,268 S	10/2011	DeLorenzo et al.	
D647,520 S	10/2011	Wikel	
D647,881 S	11/2011	Warner	
D648,325 S	11/2011	Akana et al.	
D648,725 S	11/2011	Akana et al.	
D649,932 S	12/2011	Symons	
D652,834 S *	1/2012	Jones et al.	D14/434
D653,666 S	2/2012	Zhou	
D656,930 S *	4/2012	Son	D14/253
D657,741 S *	4/2012	Fahrendorff et al.	D13/108
D658,167 S *	4/2012	Buesseler et al.	D14/251
D659,143 S *	5/2012	Akana et al.	D14/434
D659,637 S *	5/2012	Hwang et al.	D13/108
D661,309 S *	6/2012	Murrer et al.	D14/447
D662,083 S *	6/2012	Akana et al.	D14/217
D662,084 S *	6/2012	Akana et al.	D14/217
D662,492 S *	6/2012	Akana et al.	D14/217
D663,726 S *	7/2012	Gourley	D14/251
D664,529 S *	7/2012	Chuang	D14/253
D664,958 S *	8/2012	McManigal	D14/434
D665,812 S *	8/2012	Huang et al.	D14/447
D666,995 S *	9/2012	TerMeer	D14/217
D667,004 S *	9/2012	Goodrich	D14/253

* cited by examiner

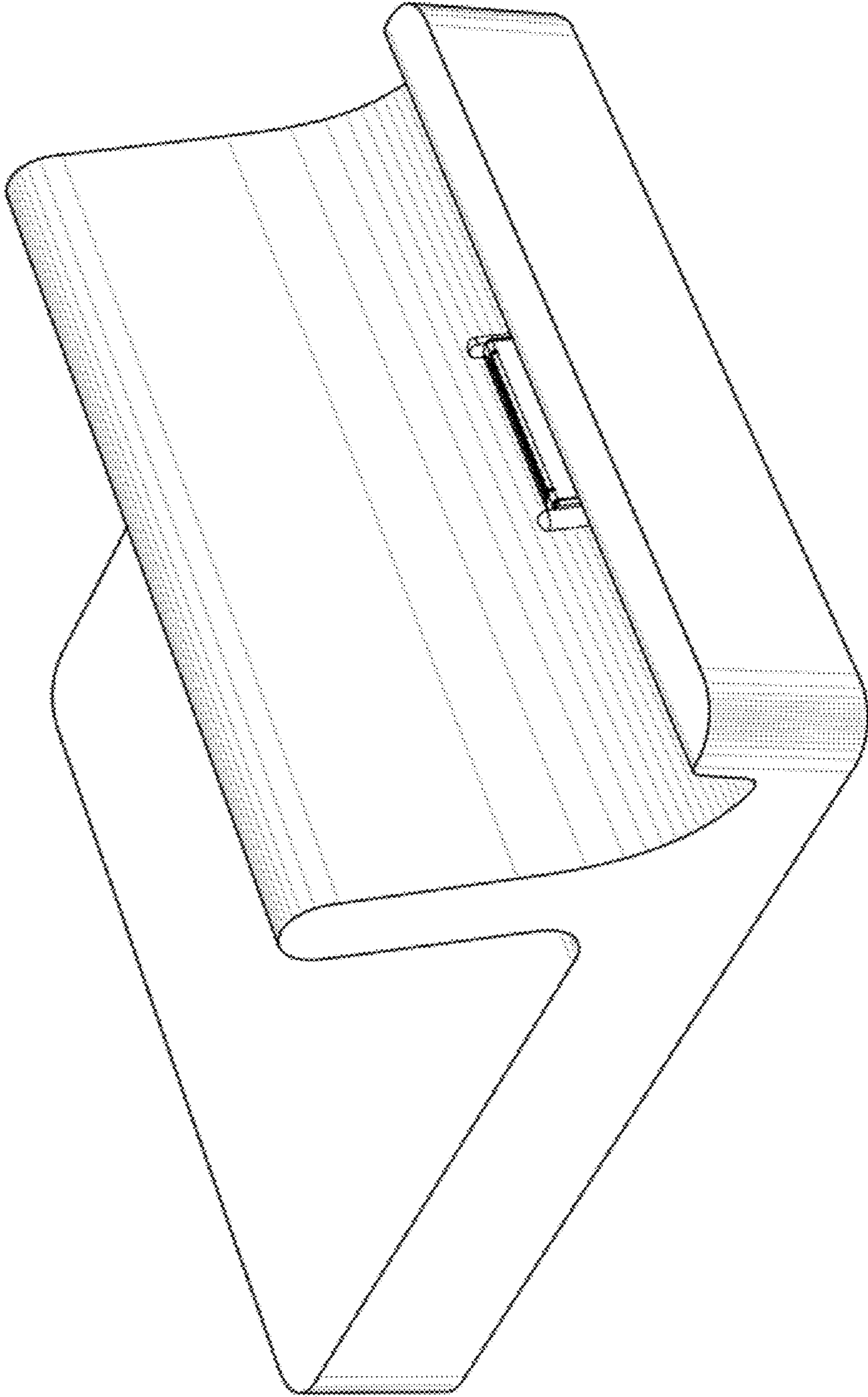


FIG. 1

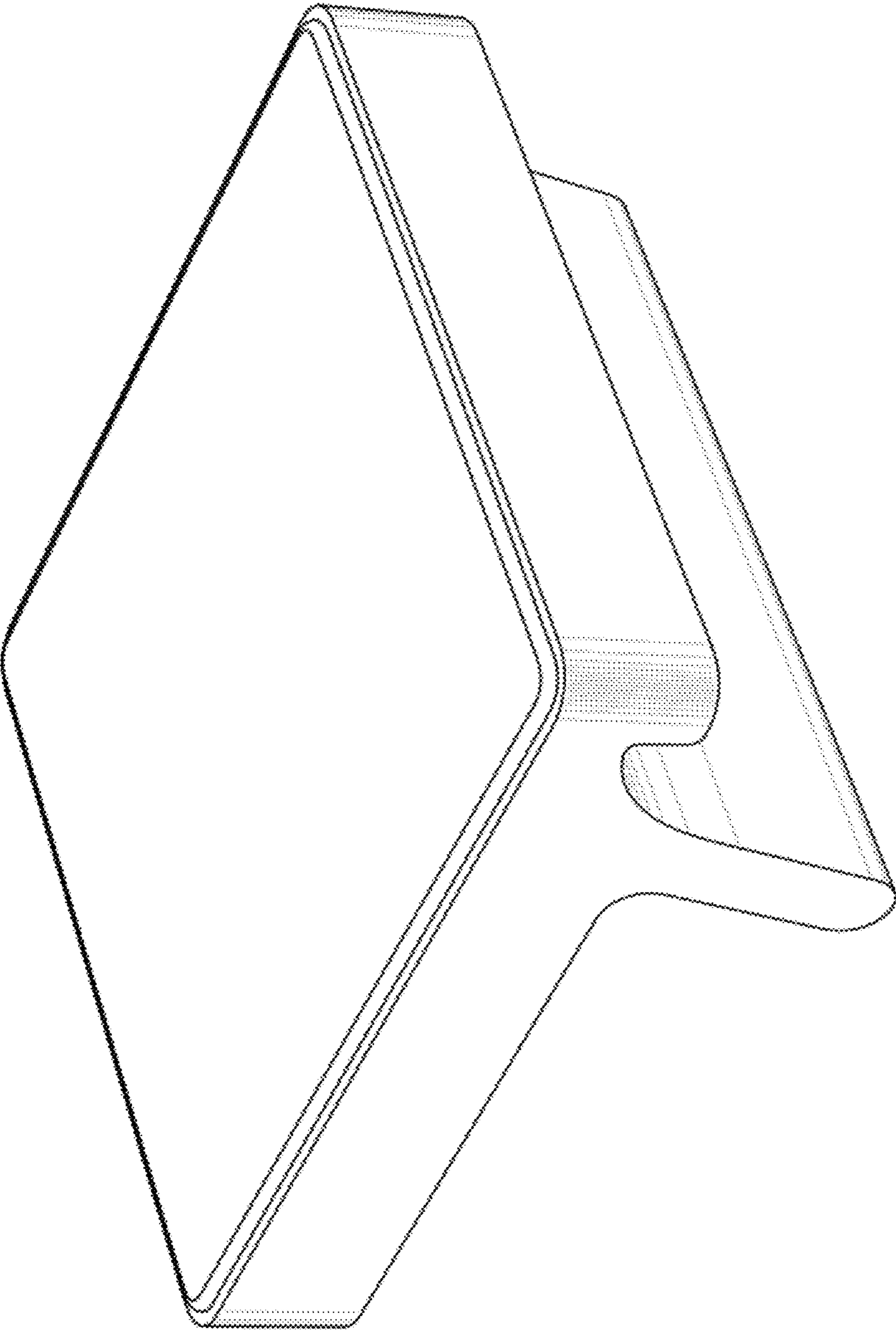


FIG. 2

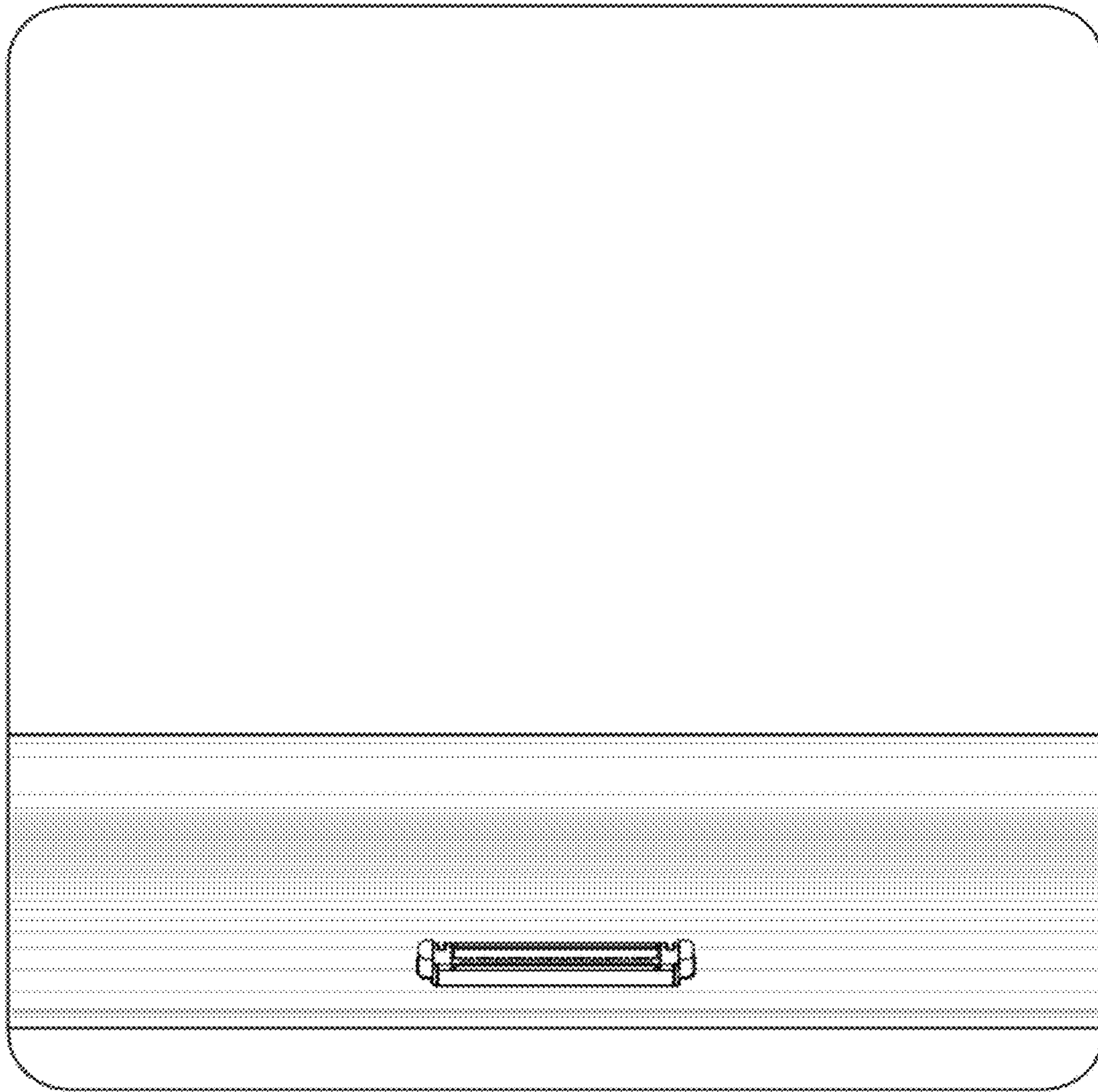


FIG. 3

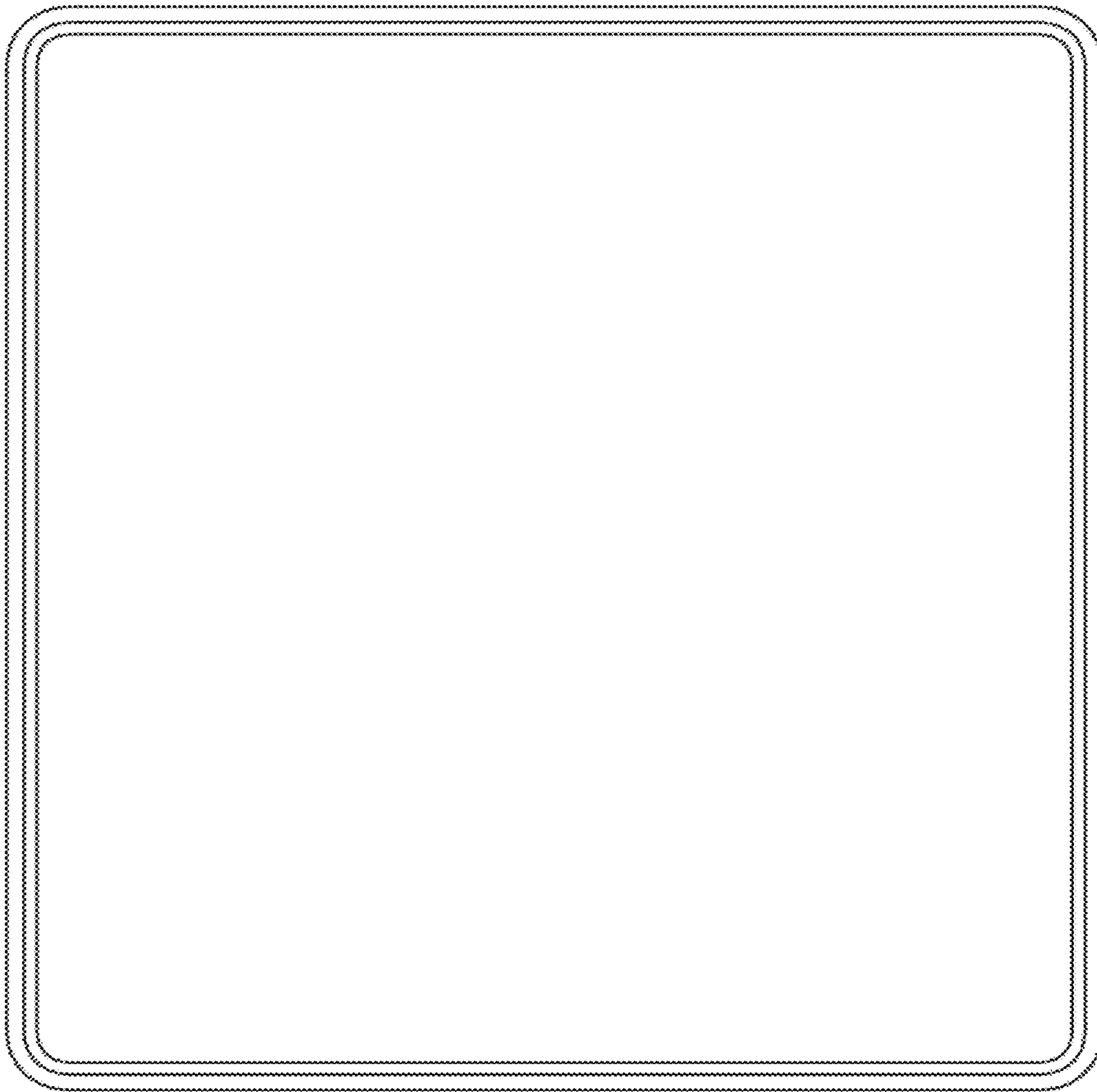


FIG. 4

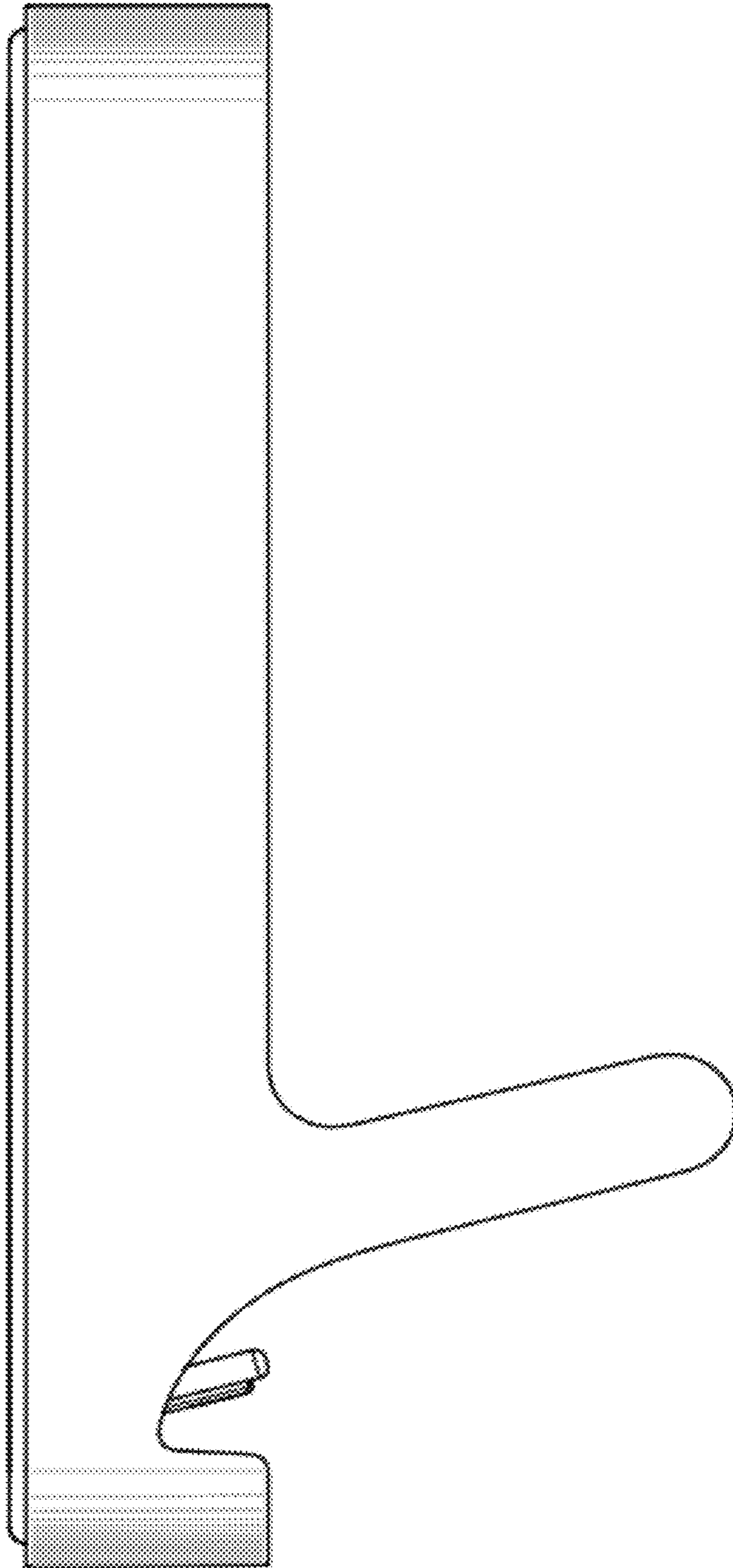


FIG.5

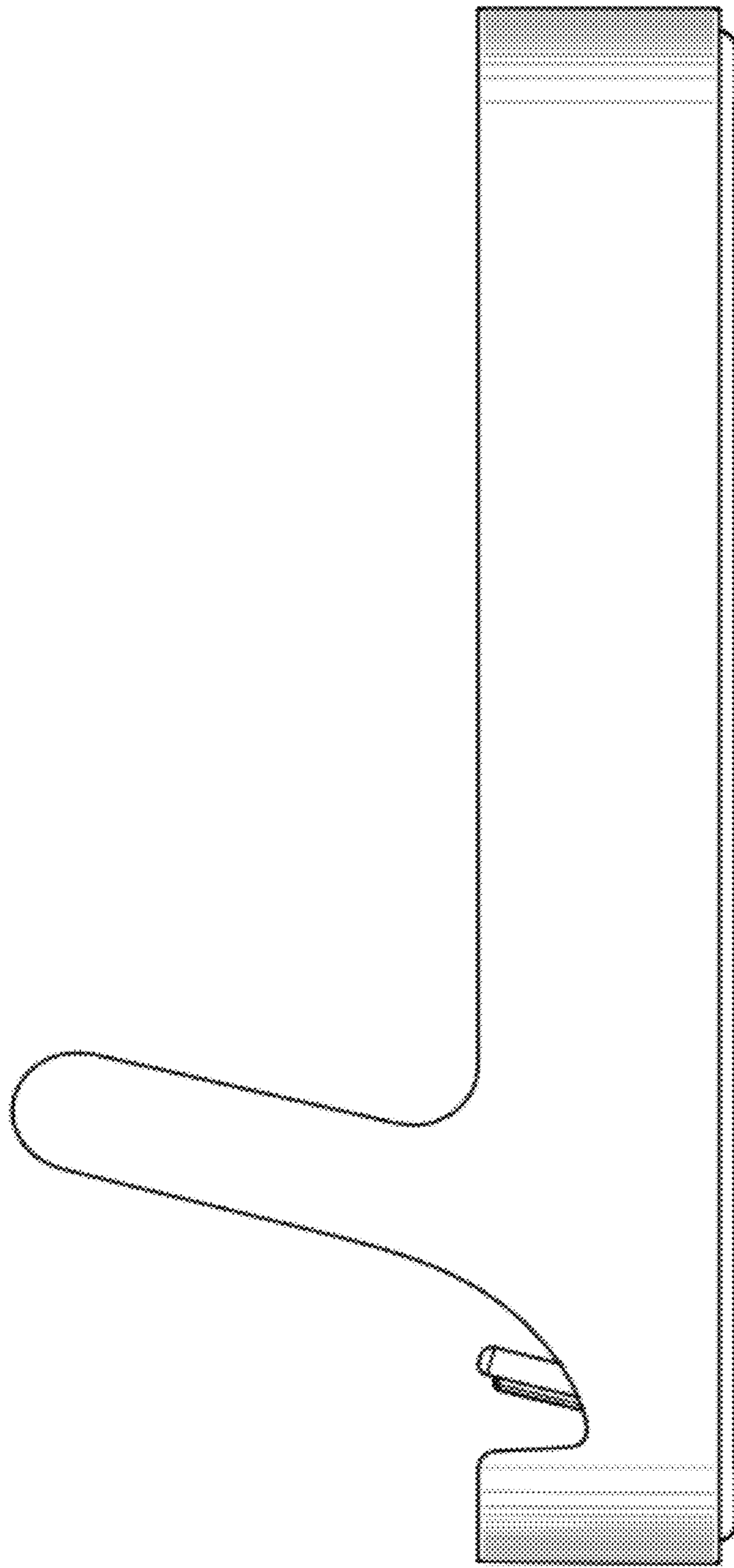


FIG. 6

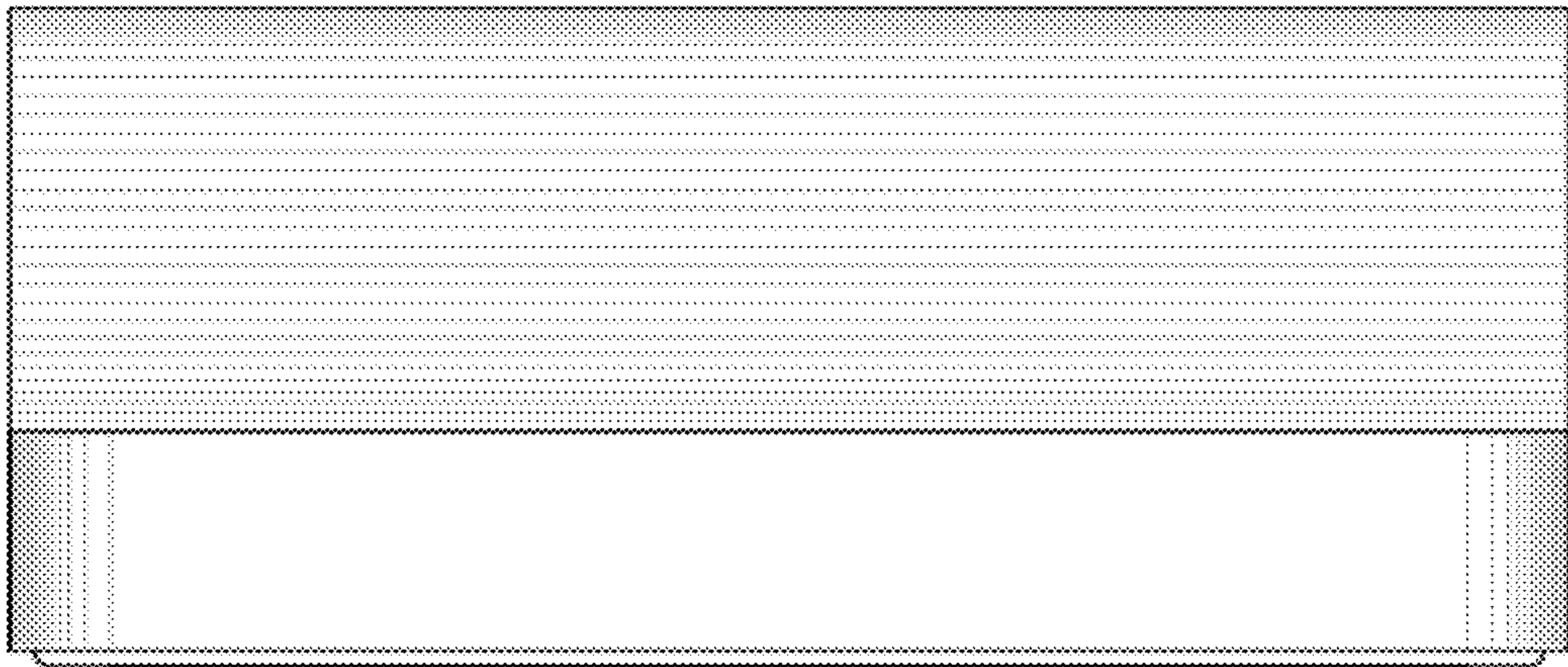


FIG. 7

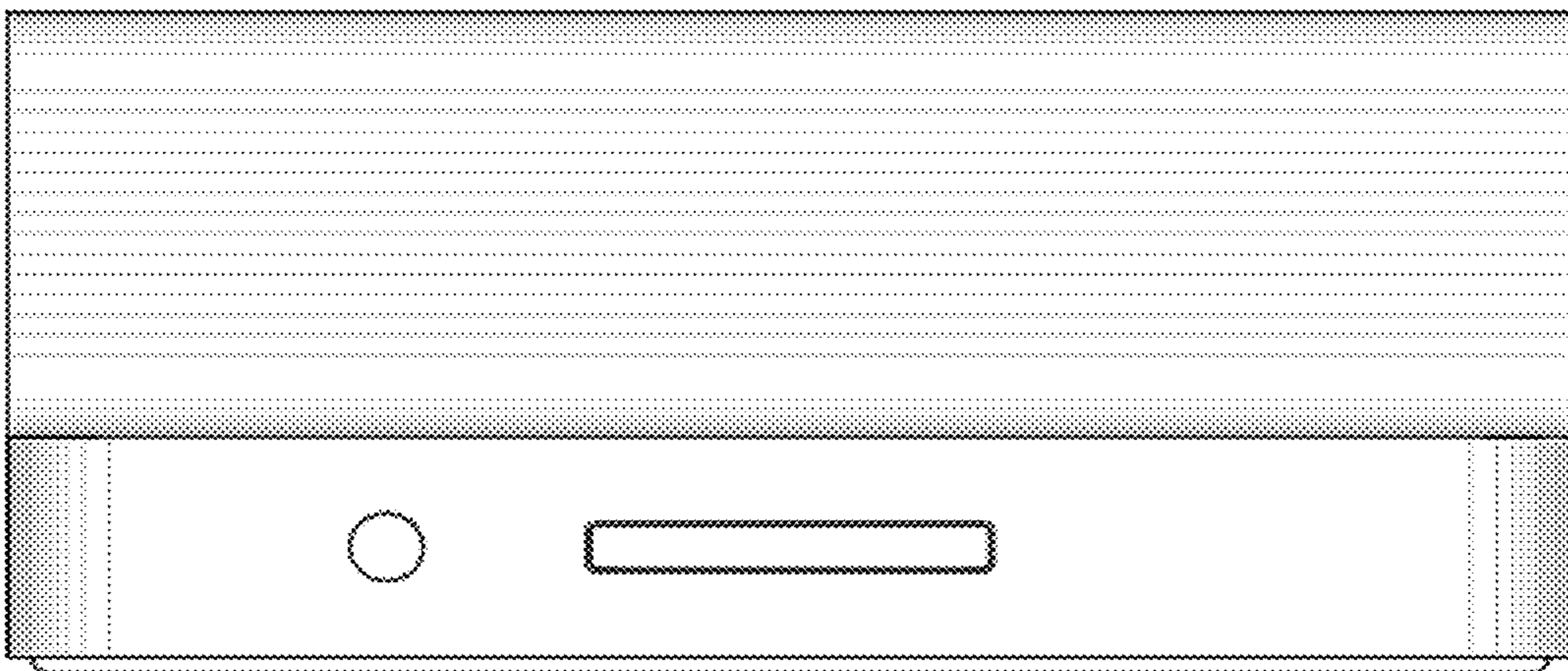


FIG. 8