

US00D676831S

(12) **United States Design Patent**
Onoue

(10) **Patent No.:** **US D676,831 S**

(45) **Date of Patent:** **** Feb. 26, 2013**

(54) **SPEAKER BOX**

(75) Inventor: **Ryuta Onoue**, Nara (JP)

(73) Assignee: **Panasonic Corporation**, Osaka (JP)

(**) Term: **14 Years**

(21) Appl. No.: **29/408,931**

(22) Filed: **Dec. 19, 2011**

(51) **LOC (9) Cl.** **14-03**

(52) **U.S. Cl.** **D14/215**

(58) **Field of Classification Search** D14/172,
D14/204, 207, 210–216; 181/143, 144, 147,
181/148, 150, 153, 157, 198, 199; 381/300–303,
381/306, 332, 333, 336, 345, 361–364, 386–388
See application file for complete search history.

(56) **References Cited**

U.S. PATENT DOCUMENTS

D497,897 S	*	11/2004	Modschiedler	D14/172
D590,812 S	*	4/2009	Muraoka et al.	D14/215
D593,541 S	*	6/2009	Muraoka et al.	D14/215
D625,288 S	*	10/2010	Ueda	D14/209.1
D627,329 S	*	11/2010	Ryu et al.	D14/168

FOREIGN PATENT DOCUMENTS

JP D1145757 7/2002

OTHER PUBLICATIONS

LG Electronics, “LG LHB977 Home Theater Systems”, obtained from the internet address <<http://www.lg.com/us/tv-audio-video/home-theater-systems/LG-home-theater-system-LHB977.jsp>>, on Dec. 14, 2011, 1 page.

Samsung, “HT-D5300”, obtained from the internet address <<http://www.samsung.com/us/video/home-theater/HT-D5300/ZA-reviews>>, on Dec. 14, 2011, 3 pages.

* cited by examiner

Primary Examiner — Keli L Hill

(74) *Attorney, Agent, or Firm* — Brinks Hofer Gilson & Lione

(57) **CLAIM**

I claim the ornamental design for a speaker box, as shown and described.

DESCRIPTION

FIG. 1 is a front perspective view of a first embodiment of a speaker box of the present invention; FIG. 2 is a front view thereof; FIG. 3 is a rear view thereof; FIG. 4 is a first side view thereof; FIG. 5 is a second side view thereof; FIG. 6 is a top view thereof; and, FIG. 7 is a bottom view thereof.

1 Claim, 7 Drawing Sheets

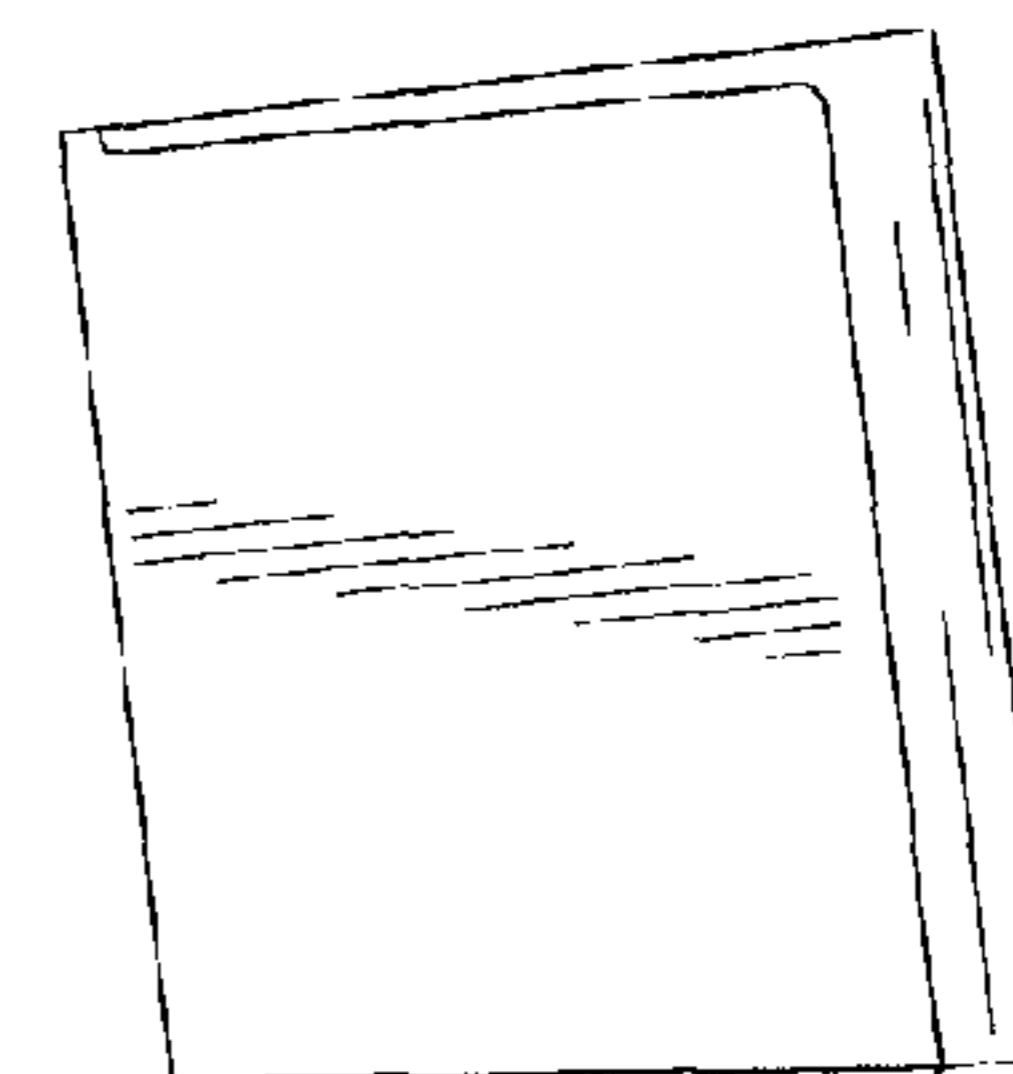
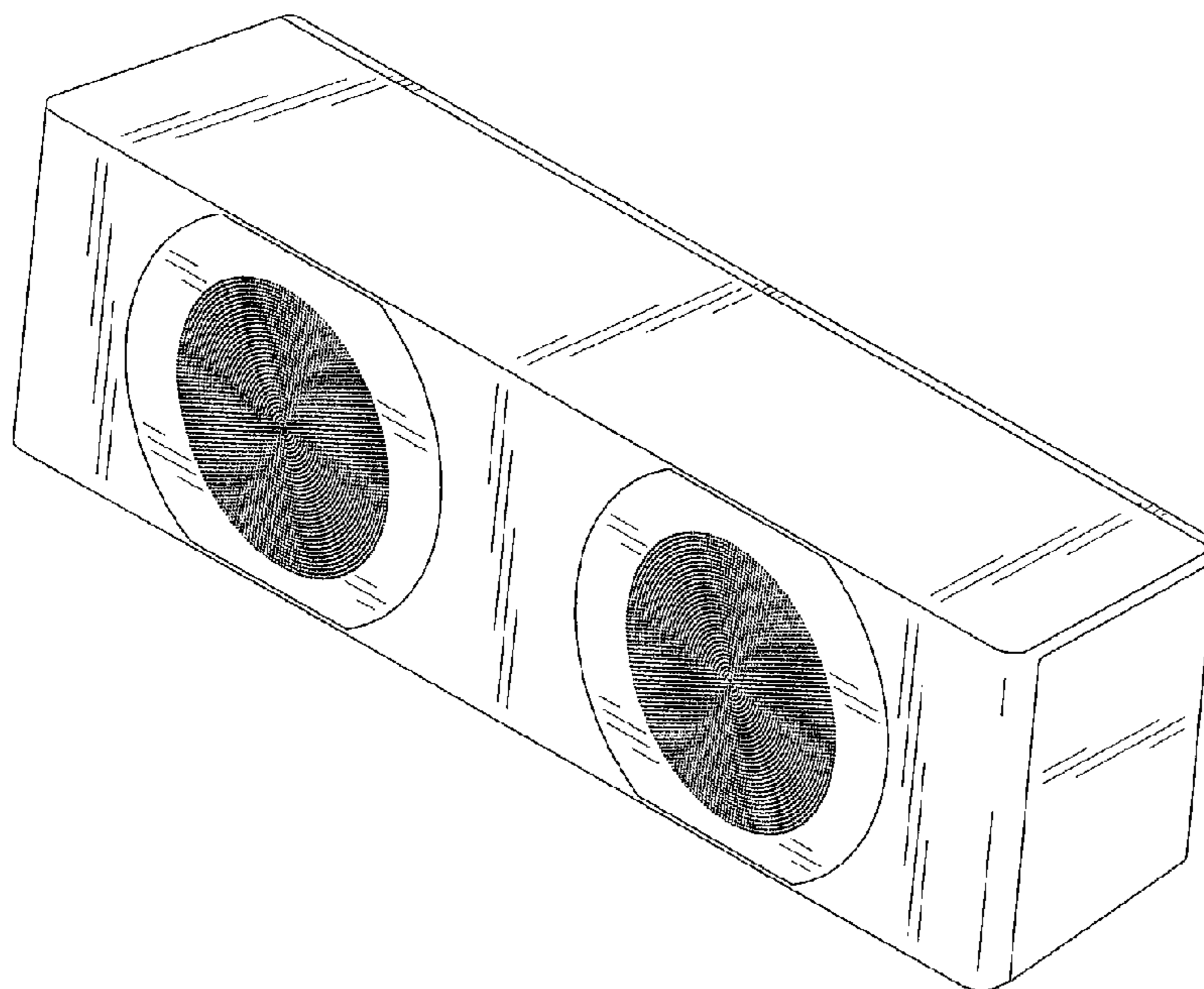


FIG. 1

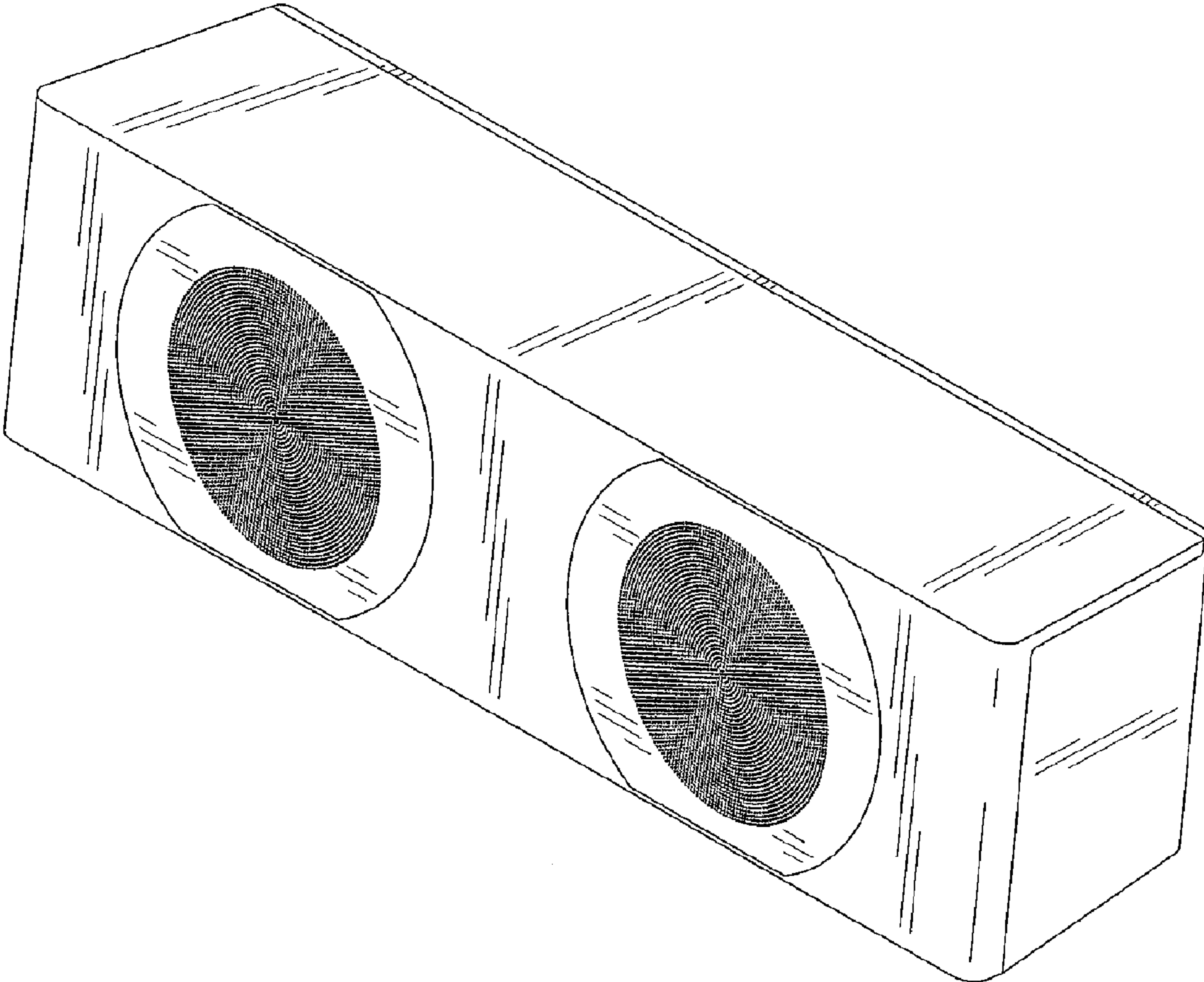


FIG.2

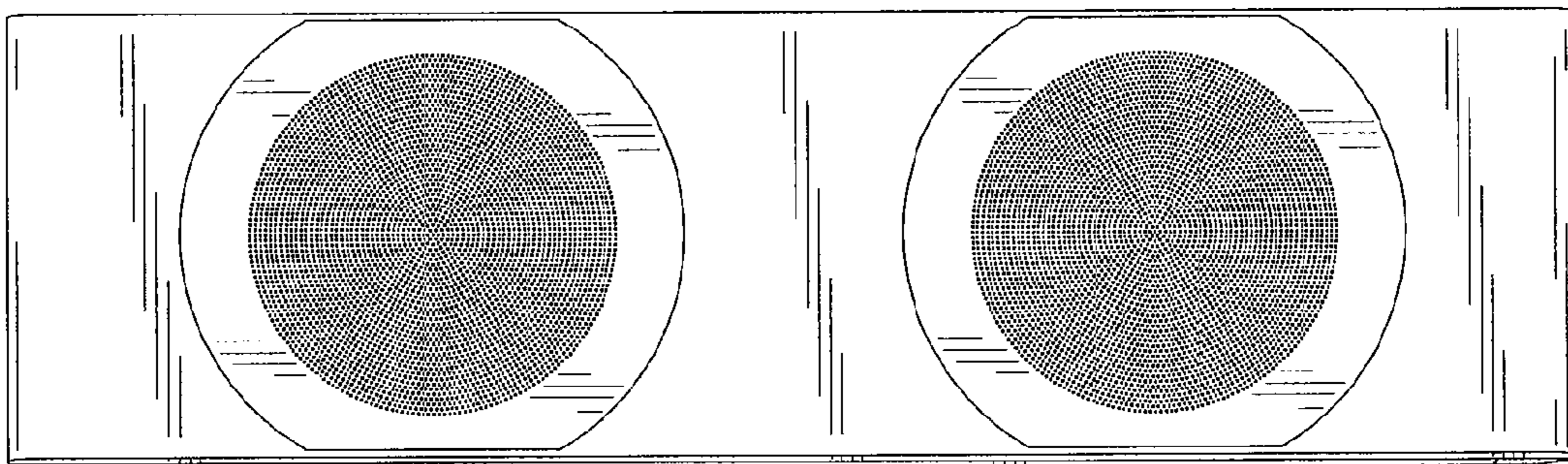


FIG.3

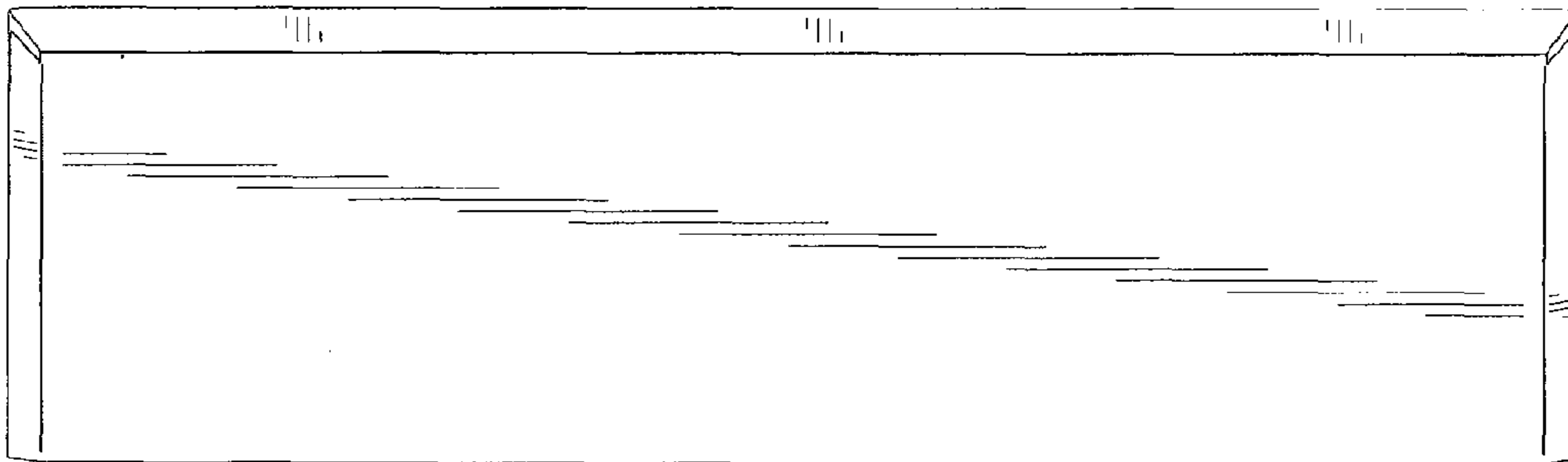


FIG.4

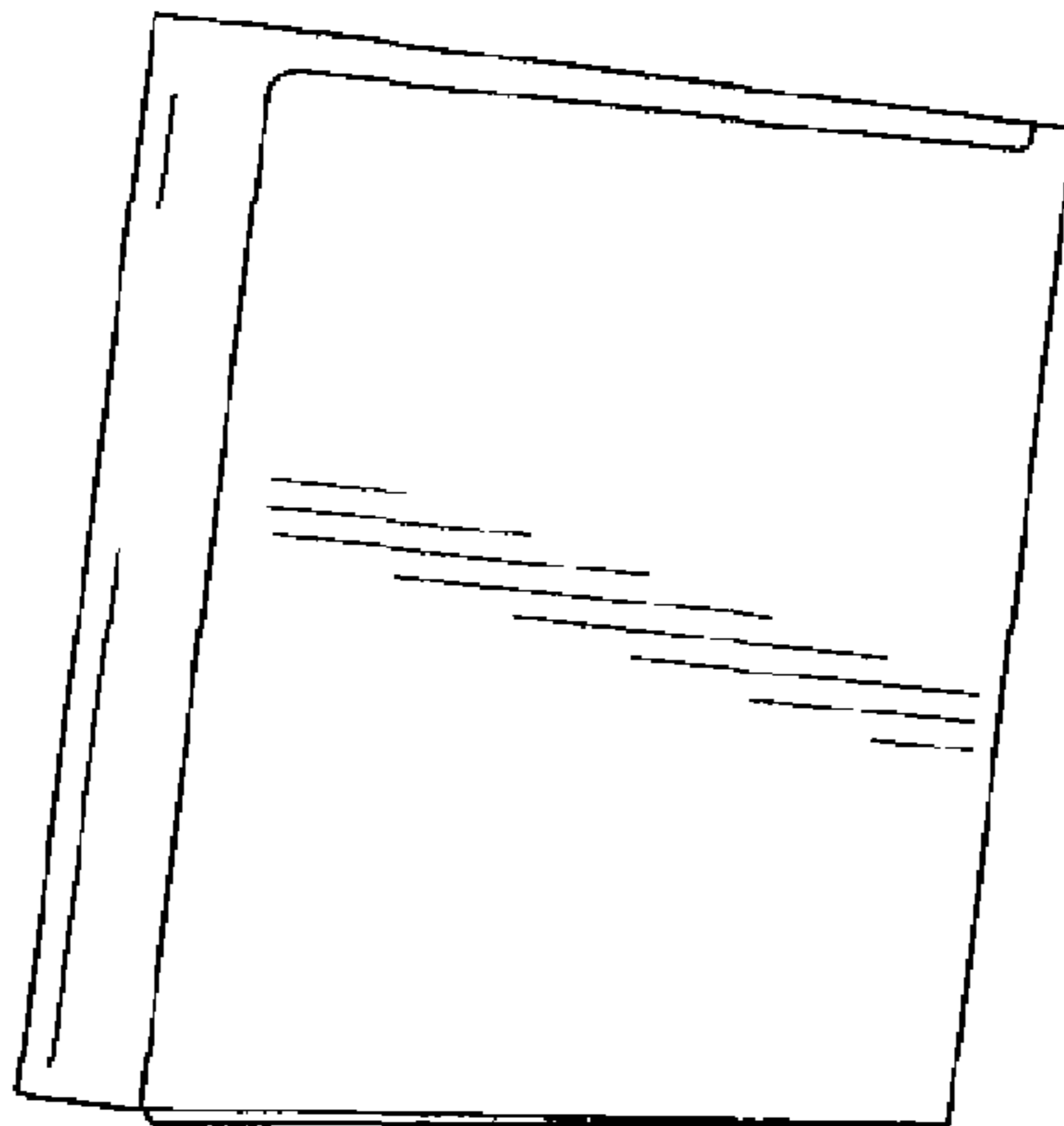


FIG.5

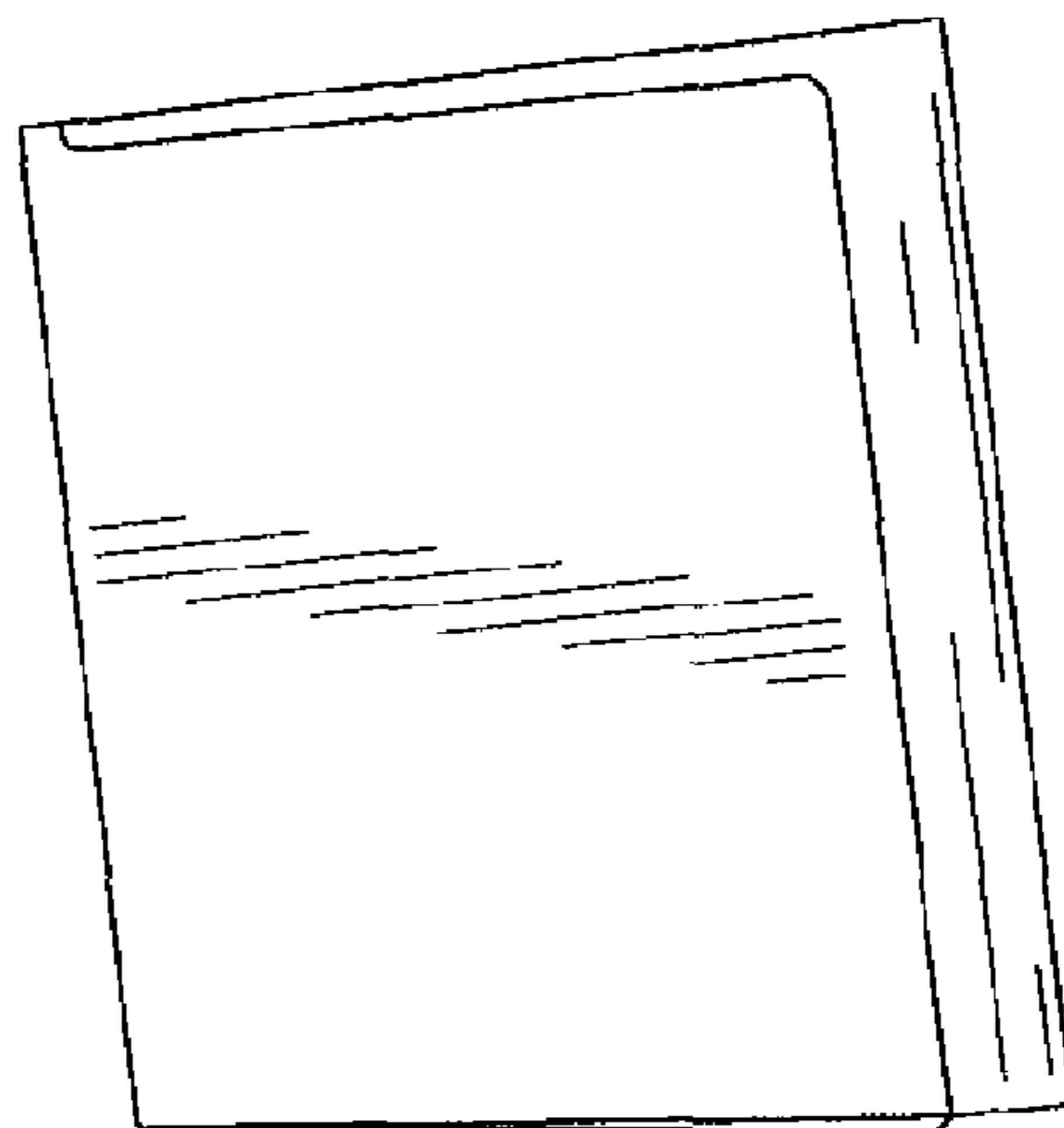


FIG.6

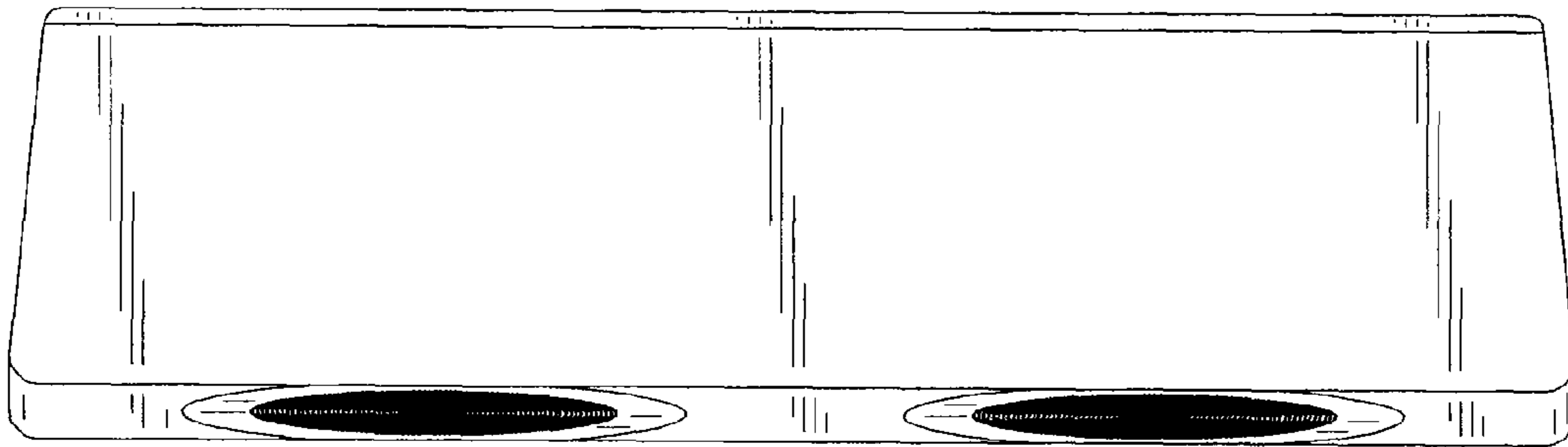


FIG.7

