



US00D676816S

(12) **United States Design Patent**  
**Kim et al.**

(10) **Patent No.:** **US D676,816 S**  
(45) **Date of Patent:** **\*\* Feb. 26, 2013**

(54) **TELEVISION RECEIVER**

(75) Inventors: **Hyungyuel Kim**, Seoul (KR); **Junki Kim**, Seoul (KR); **Youngkyoung Kim**, Seoul (KR)

(73) Assignee: **LG Electronics Inc.**, Seoul (KR)

(\*\*) Term: **14 Years**

(21) Appl. No.: **29/389,258**

(22) Filed: **Apr. 8, 2011**

(30) **Foreign Application Priority Data**

Oct. 18, 2010 (KR) ..... 30-2010-0045043

(51) **LOC (9) Cl.** ..... **14-03**

(52) **U.S. Cl.** ..... **D14/126**

(58) **Field of Classification Search** ..... D14/125-134,  
D14/239, 371, 136, 374-377, 440, 450, 448,  
D14/336, 342; 312/7.2; 348/836, 838, 180,  
348/184, 325, 739; 341/12; 248/917-924,  
248/465; 345/104, 133, 156, 168, 87, 173;  
720/605, 669, 600, 655; 369/99, 197; 455/344,  
455/347; D21/329, 515, 577, 622, 333, 433,  
D21/448, 452, 450, 331; D6/477, 479, 300;  
273/148 B; 446/484, 175, 356; D10/15,  
D10/26

See application file for complete search history.

(56) **References Cited**

U.S. PATENT DOCUMENTS

D381,235 S *	7/1997	Bangert	.....	D6/629
D605,151 S *	12/2009	Honda	.....	D14/126
D611,439 S *	3/2010	Suzuki et al.	.....	D14/126
D630,618 S *	1/2011	Kim et al.	.....	D14/218
D643,823 S *	8/2011	Kim et al.	.....	D14/126
D645,430 S *	9/2011	Shih	.....	D14/126
D657,327 S *	4/2012	Iida et al.	.....	D14/126
D661,270 S *	6/2012	Cha et al.	.....	D14/126
D666,272 S *	8/2012	Shi et al.	.....	D23/207

\* cited by examiner

*Primary Examiner* — Raphael Barkai

*Assistant Examiner* — Randall Gholson

(74) *Attorney, Agent, or Firm* — Birch, Stewart, Kolasch & Birch, LLP

(57) **CLAIM**

The ornamental design for a television receiver, as shown and described.

**DESCRIPTION**

FIG. 1 is a top, front, perspective view of a television receiver showing our new design;  
FIG. 2 is a front view thereof;  
FIG. 3 is a rear view thereof;  
FIG. 4 is a left side view thereof;  
FIG. 5 is a right side view thereof;  
FIG. 6 is a top view thereof; and,  
FIG. 7 is a bottom view thereof.

**1 Claim, 6 Drawing Sheets**

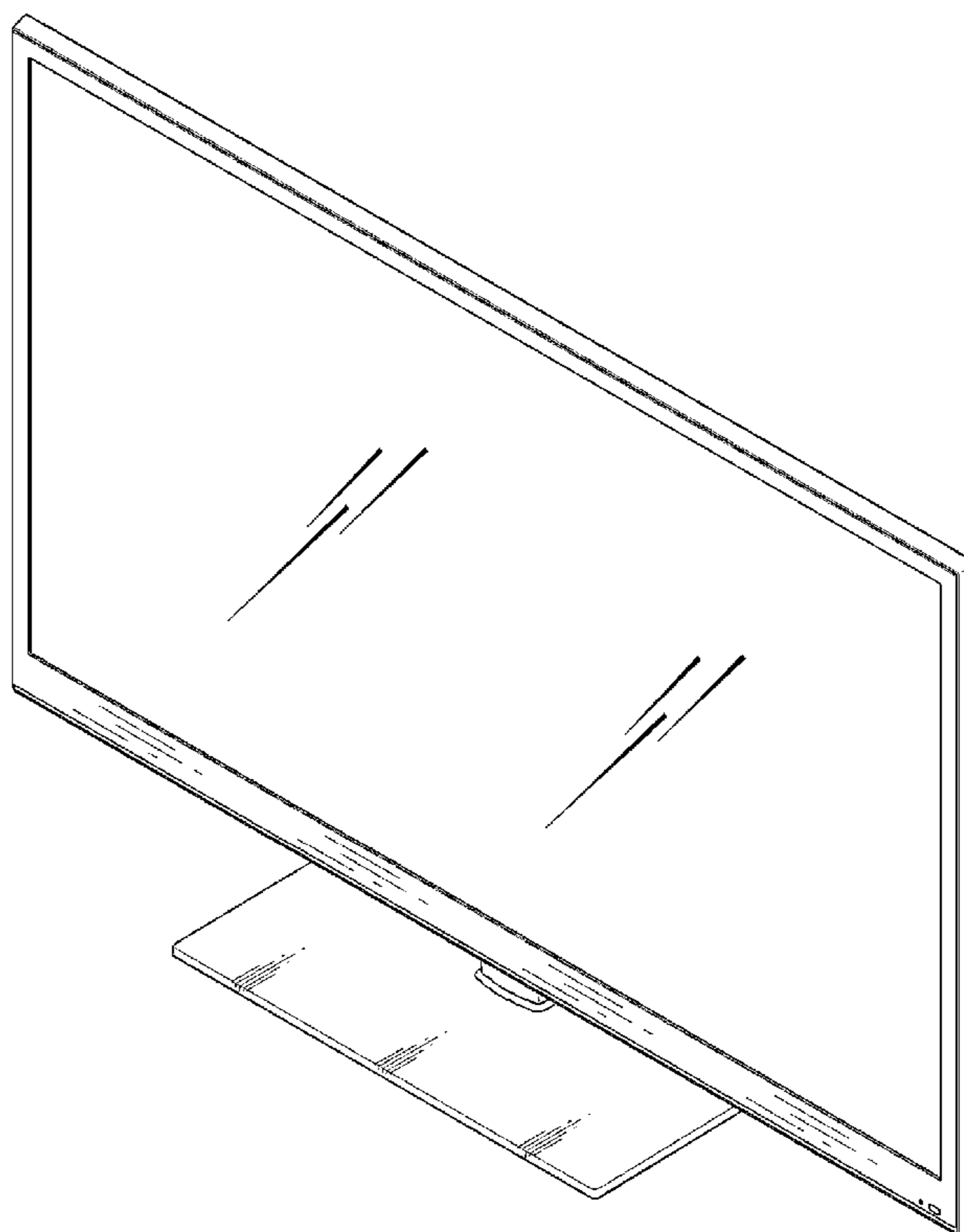


FIG. 1

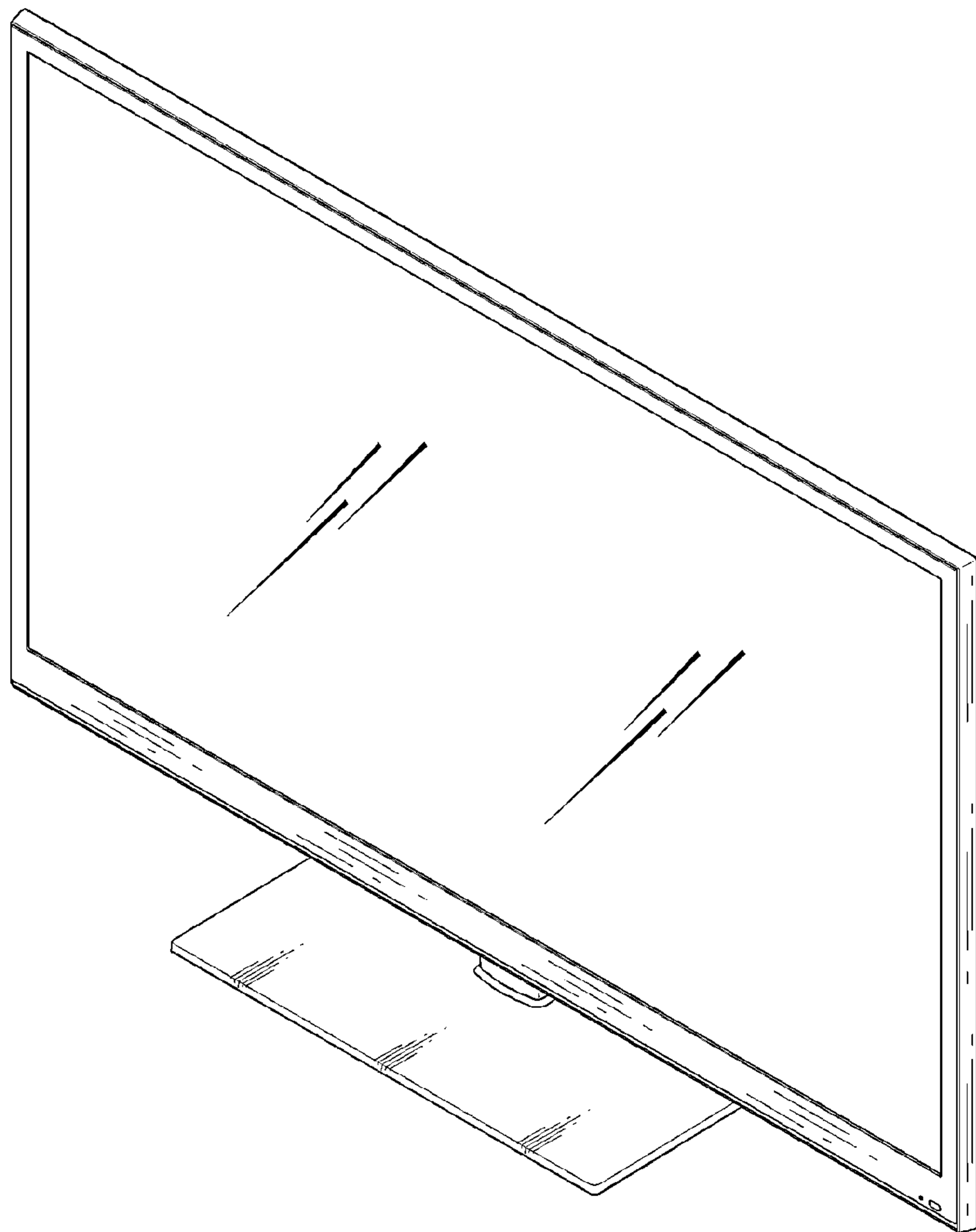


FIG. 2

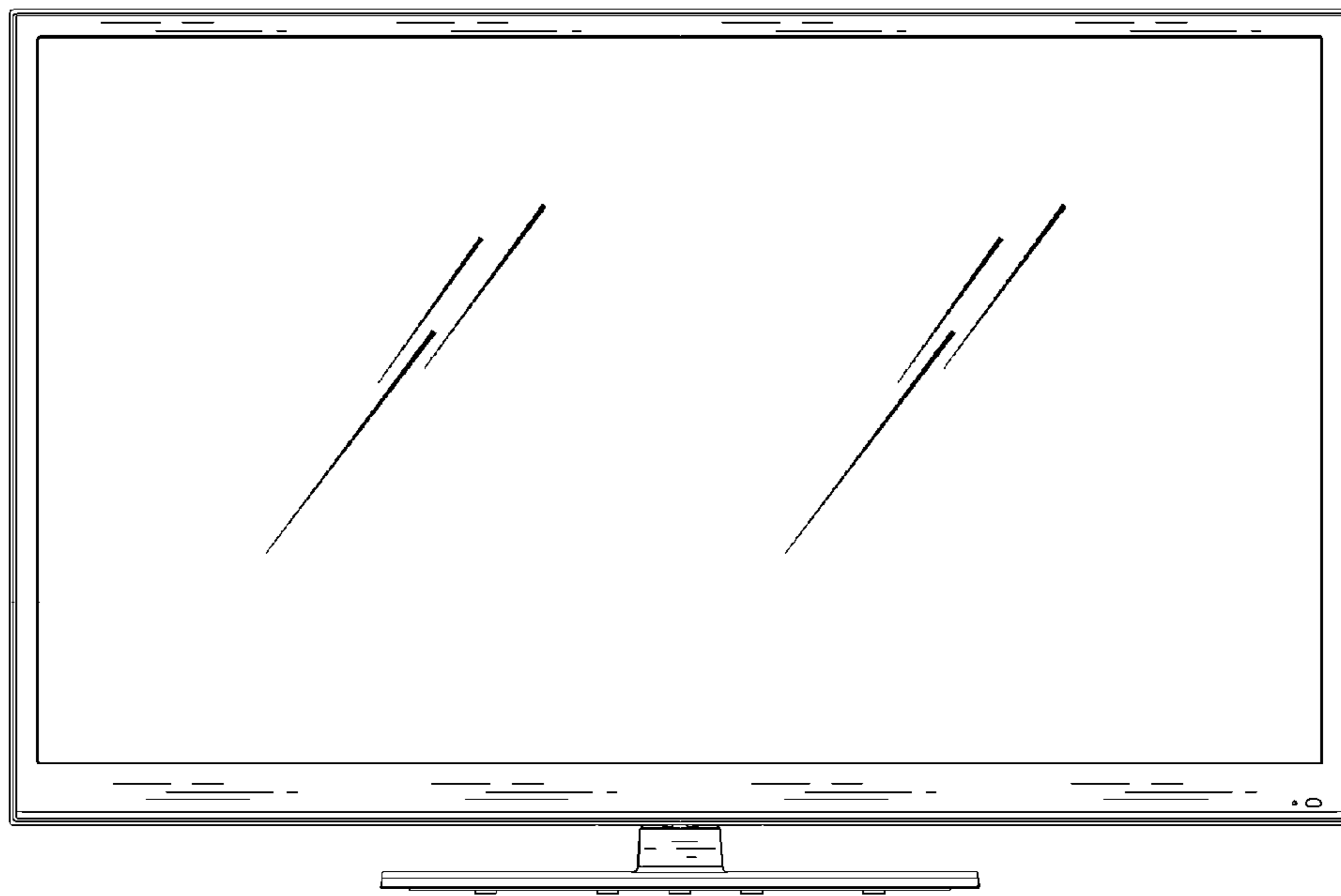


FIG. 3

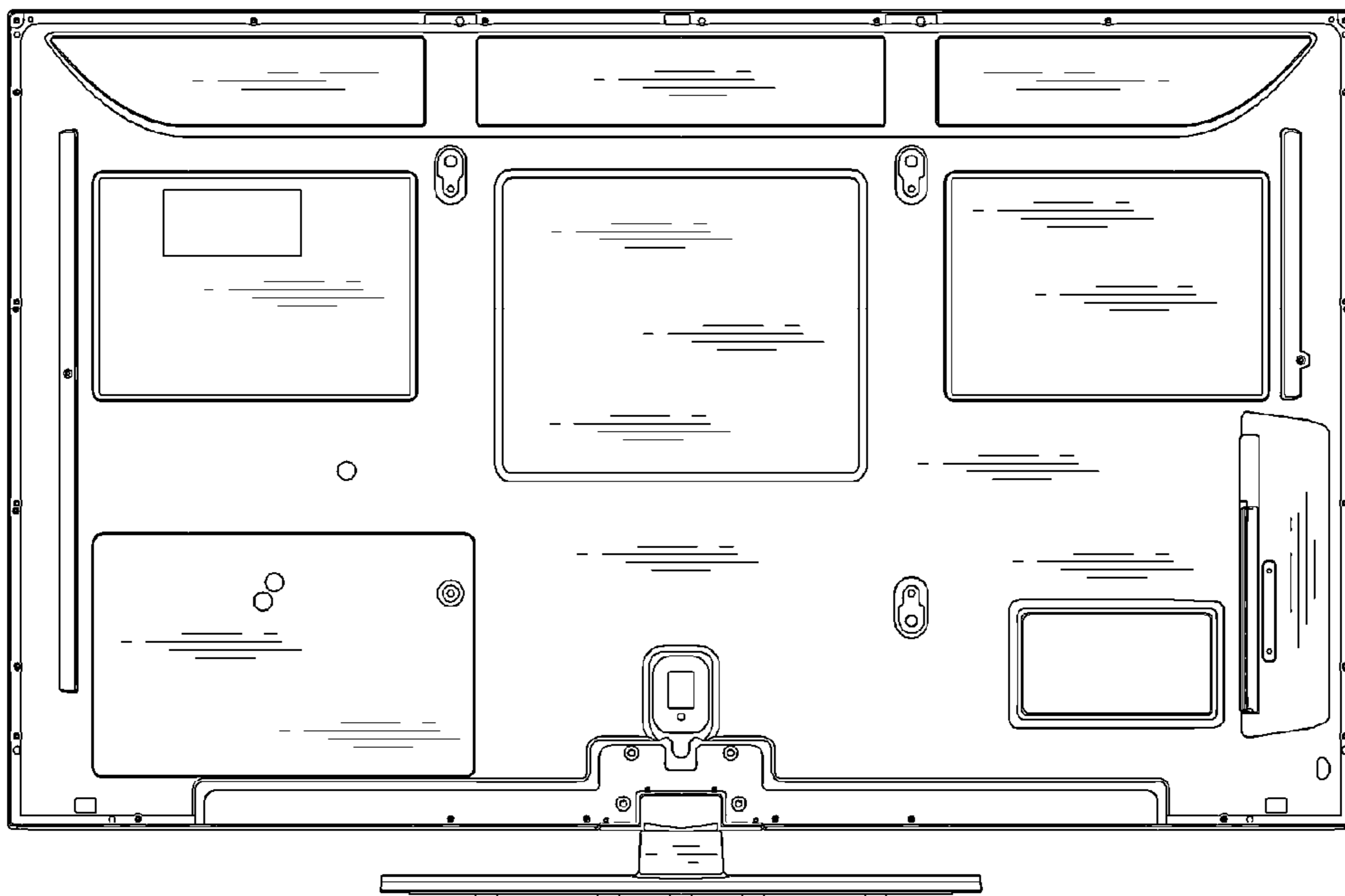


FIG. 4

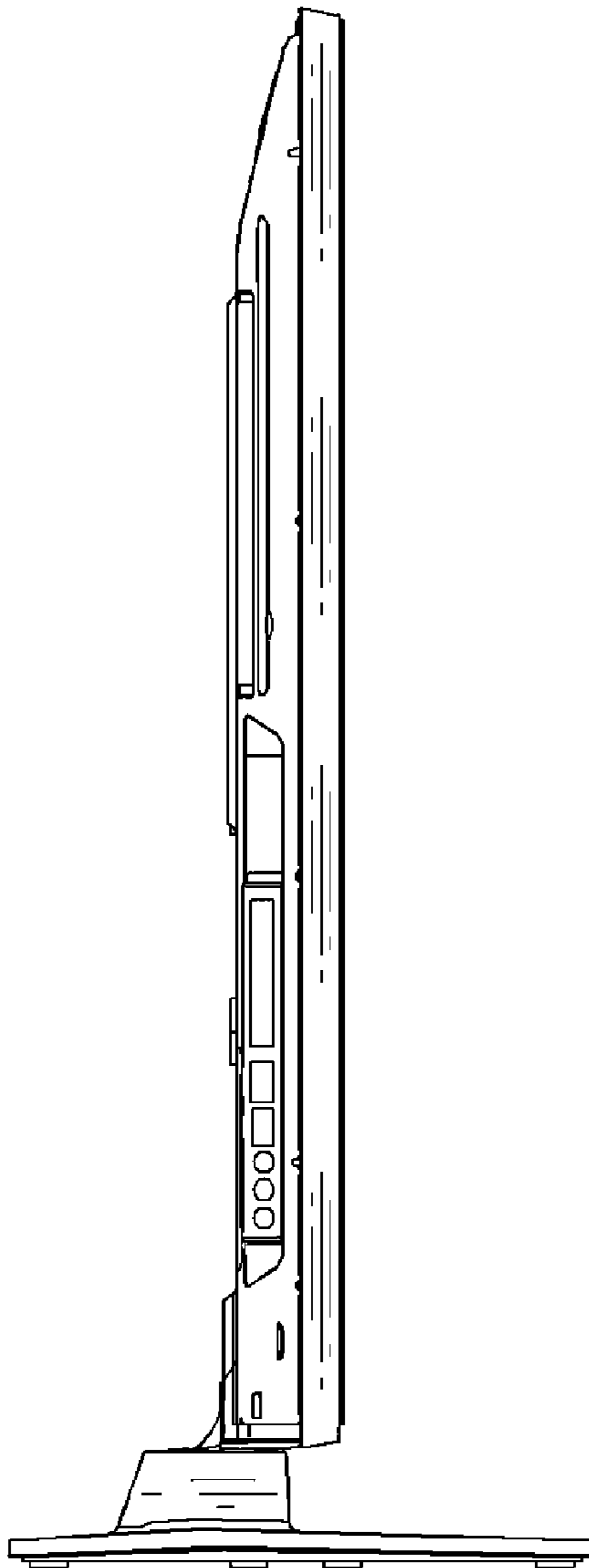


FIG. 5

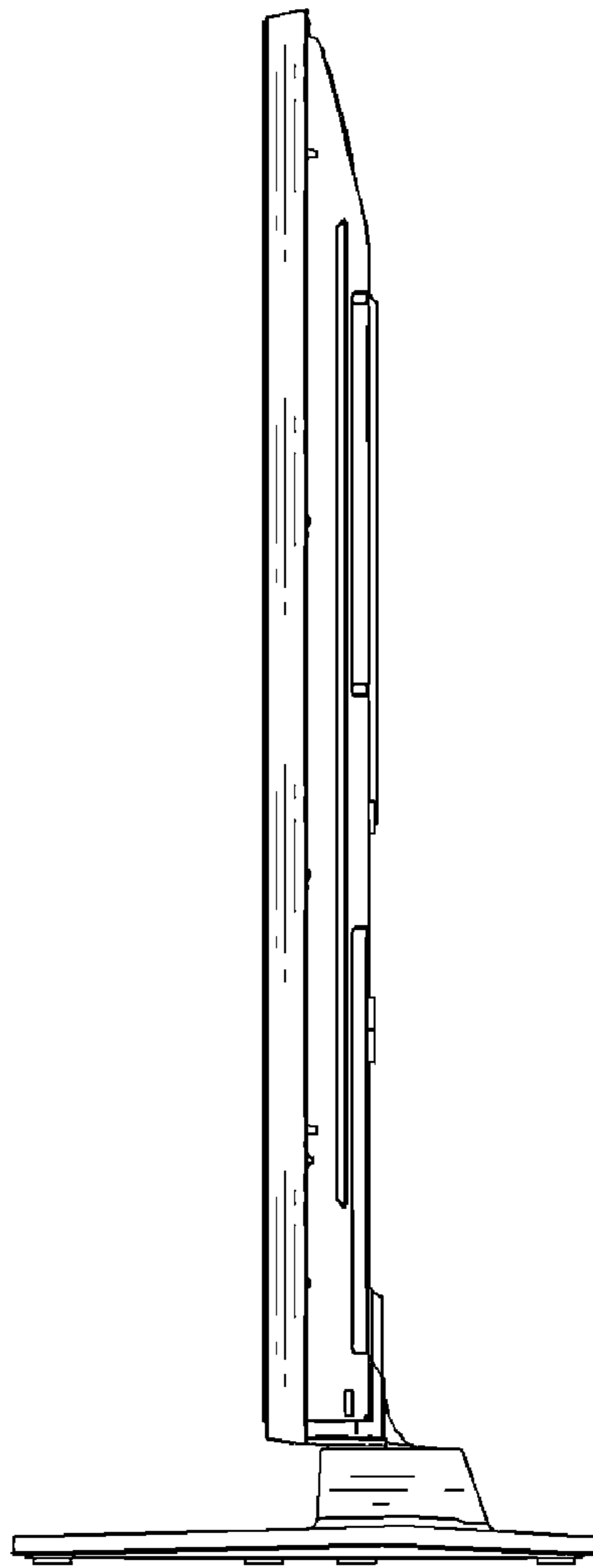


FIG. 6

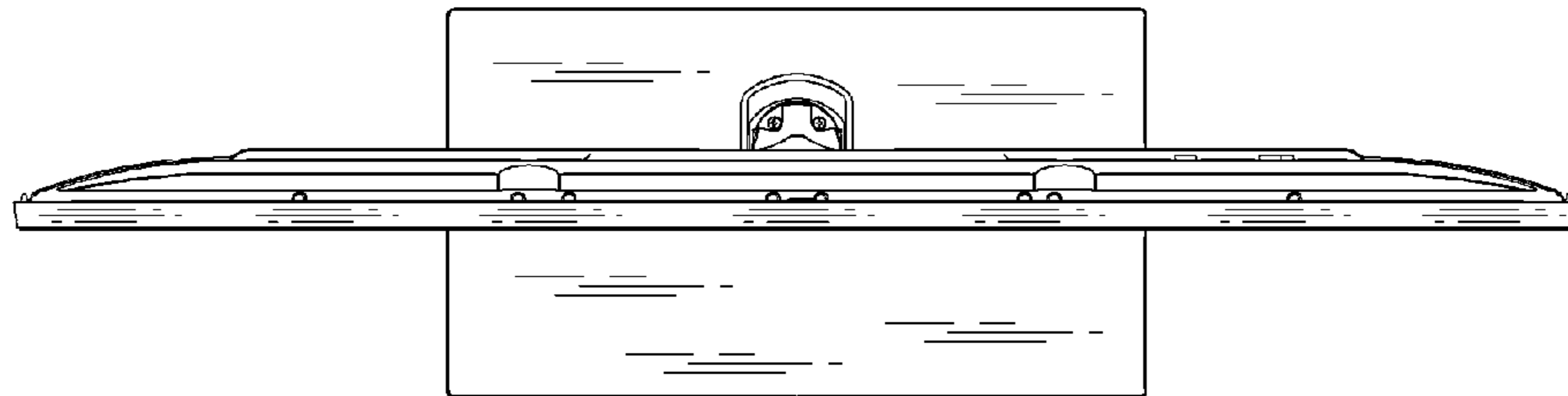


FIG. 7

