



US00D676813S

(12) **United States Design Patent**  
**Wiest et al.**

(10) **Patent No.:** **US D676,813 S**

(45) **Date of Patent:** **\*\* Feb. 26, 2013**

(54) **ELECTRICAL CONNECTOR FOR POWER CABLE**

(75) Inventors: **Shane Wiest**, Shermans Dale, PA (US);  
**Gottlieb Oyster**, Hummelstown, PA (US); **Kevin Walker**, Hershey, PA (US);  
**John P. Huss, Jr.**, Harrisburg, PA (US);  
**Arndt Schafmeister**, Dörentrup (DE);  
**Sebastian Schafer**, Blomberg (DE)

(73) Assignee: **Phoenix Contact Development & Manufacturing, Inc.**, Middletown, PA (US)

(\*\*) Term: **14 Years**

(21) Appl. No.: **29/408,350**

(22) Filed: **Dec. 12, 2011**

(51) **LOC (9) Cl.** ..... **13-03**

(52) **U.S. Cl.** ..... **D13/151**

(58) **Field of Classification Search** ..... D13/151,  
D13/133, 146, 147, 148, 150, 154, 158, 173,  
D13/184, 199; D14/125, 217, 239, 299;  
174/50.52, 51, 59, 60, 61, 62, 63, 64, 528;  
333/100, 101, 206; 439/55, 63, 578, 579,  
439/580

See application file for complete search history.

(56) **References Cited**

U.S. PATENT DOCUMENTS

D301,240	S	*	5/1989	Chino	.....	D14/217
D408,364	S	*	4/1999	Hsiang	.....	D13/151
D452,850	S	*	1/2002	Inoue	.....	D13/151
6,939,183	B2	*	9/2005	Ferretti et al.	.....	439/798
7,081,000	B1	*	7/2006	Senigla	.....	439/306
D546,291	S	*	7/2007	Shapson	.....	D13/151
D546,292	S	*	7/2007	Shapson	.....	D13/151
2006/0035532	A1	*	2/2006	Lu	.....	439/709

\* cited by examiner

*Primary Examiner* — Derrick Holland

(74) *Attorney, Agent, or Firm* — Hooker & Habib, P.C.

(57) **CLAIM**

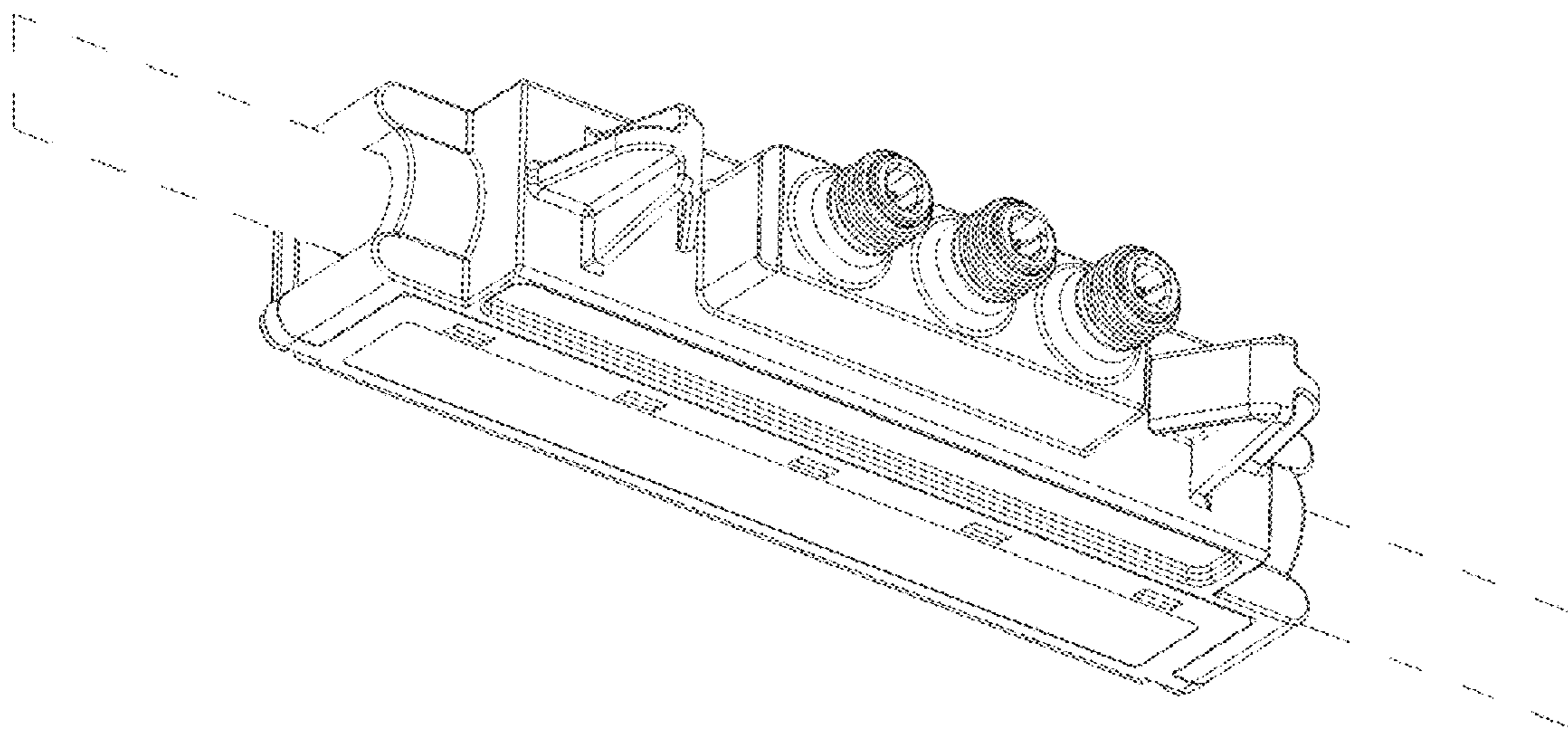
The ornamental design of an electrical connector for power cable, as shown and described.

**DESCRIPTION**

FIG. 1 is a right perspective view of an electrical connector for power cable showing our new design;  
FIG. 2 is a right side elevation view thereof;  
FIG. 3 is a left side elevation view thereof;  
FIG. 4 is a top plan view thereof;  
FIG. 5 is a bottom plan view thereof; and,  
FIG. 6 is an end elevation view thereof.

The broken line portions of the figure drawings are included to show unclaimed subject matter only and form no part of the claimed design.

**1 Claim, 3 Drawing Sheets**



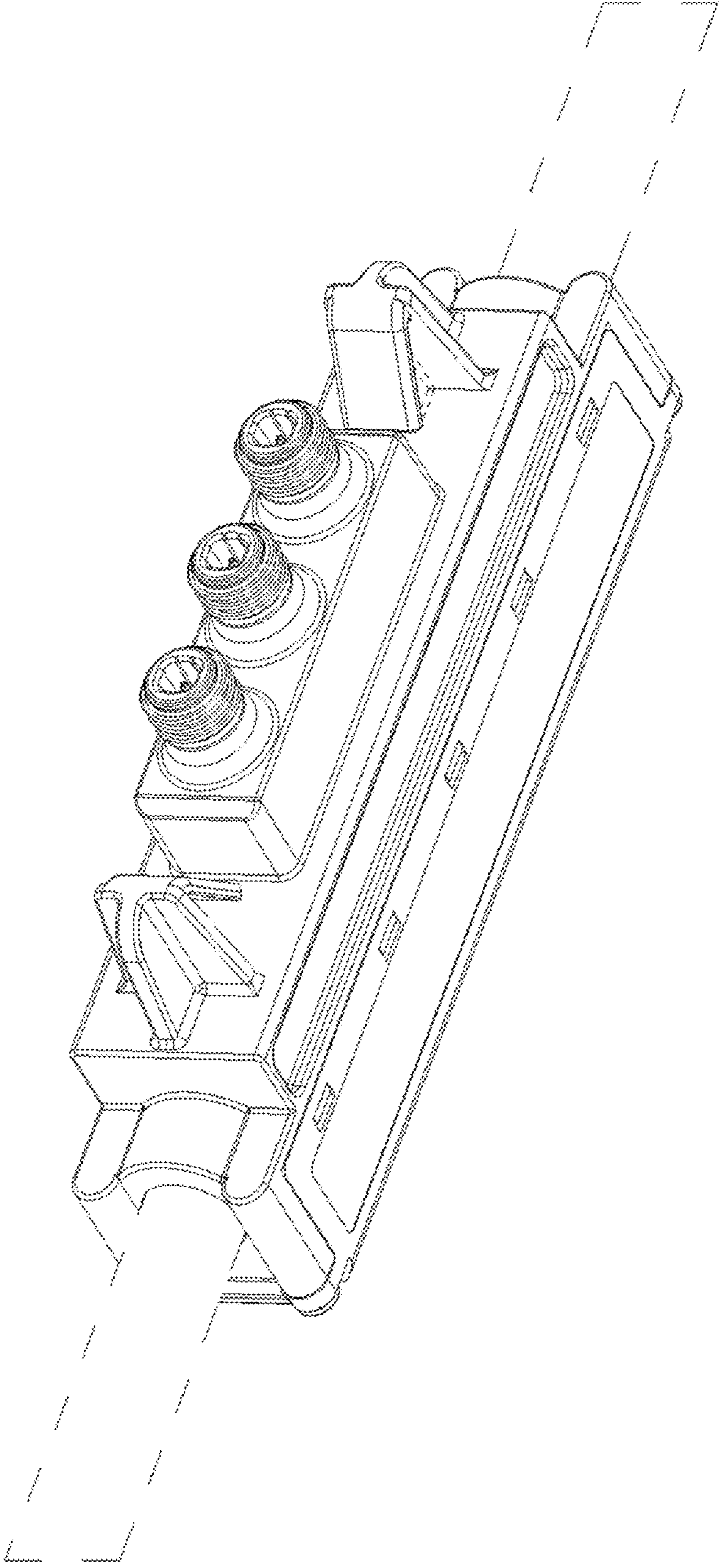


Fig. 1

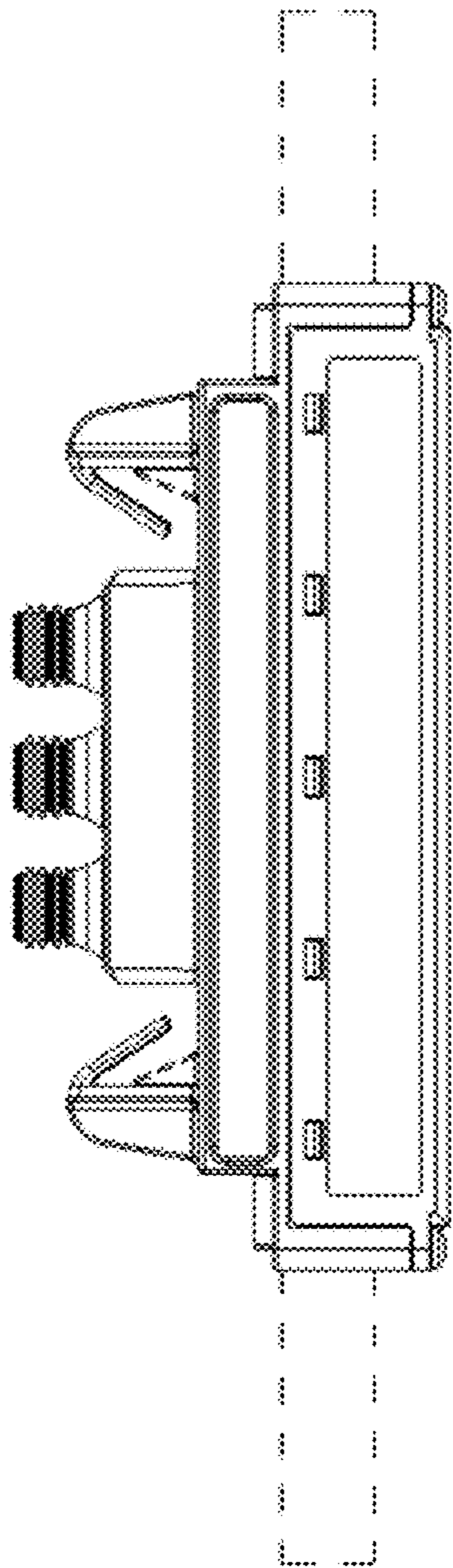


Fig. 2



Fig. 5

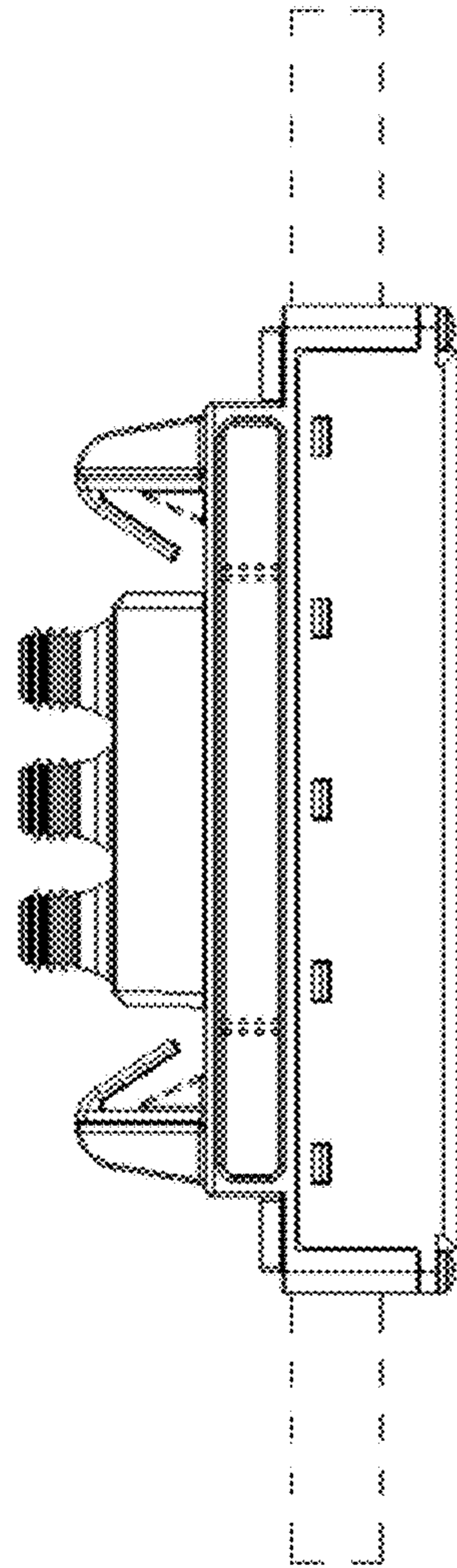


Fig. 3

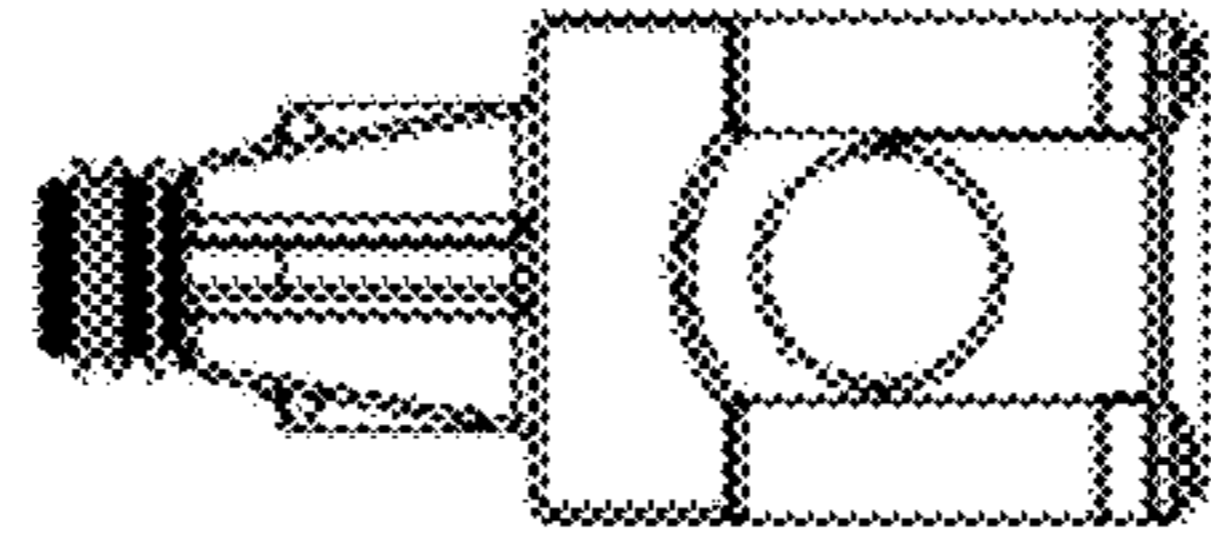


Fig. 6

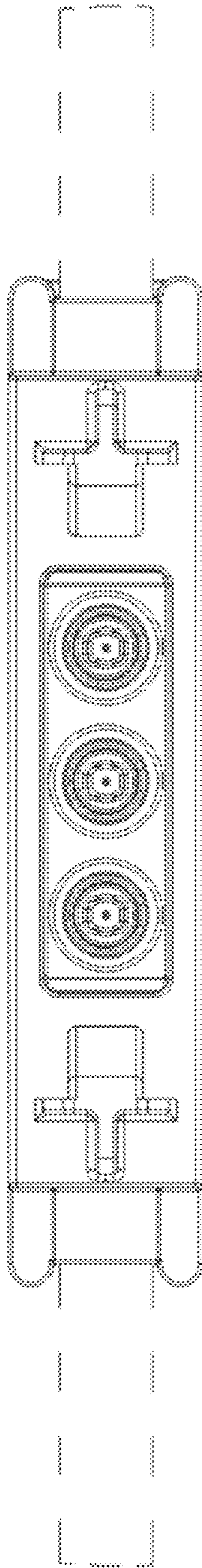


Fig. 4