



US00D676812S

(12) **United States Design Patent**
Smith et al.

(10) **Patent No.:** **US D676,812 S**

(45) **Date of Patent:** **** Feb. 26, 2013**

(54) **PLUG**

(75) Inventors: **Dustin Jonathan Smith**, Waterloo (CA);
Todd Andrew Wood, Toronto (CA);
Anders Fahrendorff, Ottawa (CA)

(73) Assignee: **Research In Motion Limited**, Waterloo,
Ontario (CA)

(**) Term: **14 Years**

(21) Appl. No.: **29/385,318**

(22) Filed: **Feb. 11, 2011**

(51) **LOC (9) Cl.** **13-03**

(52) **U.S. Cl.** **D13/146**

(58) **Field of Classification Search** D13/133,
D13/146, 147, 153, 154, 184, 199; 439/350,
439/352, 439, 447, 582, 607.01, 607.04,
439/607.05, 607.17, 607.25, 607.34, 607.41,
439/607.53, 660, 677, 680, 682

See application file for complete search history.

(56) **References Cited**

U.S. PATENT DOCUMENTS

D349,099 S * 7/1994 Robertson et al. D13/147
D415,111 S * 10/1999 Lee D13/154
D447,121 S * 8/2001 Yim D13/147

D503,152 S * 3/2005 Suckle et al. D13/154
D514,524 S * 2/2006 Suckle D13/156
D553,092 S * 10/2007 Arai et al. D13/147
7,540,773 B2 * 6/2009 Ko 439/581
D629,752 S * 12/2010 Akana et al. D13/147
D632,261 S * 2/2011 Andre et al. D13/154
7,901,216 B2 * 3/2011 Rohrbach et al. 439/39

* cited by examiner

Primary Examiner — Daniel Bui

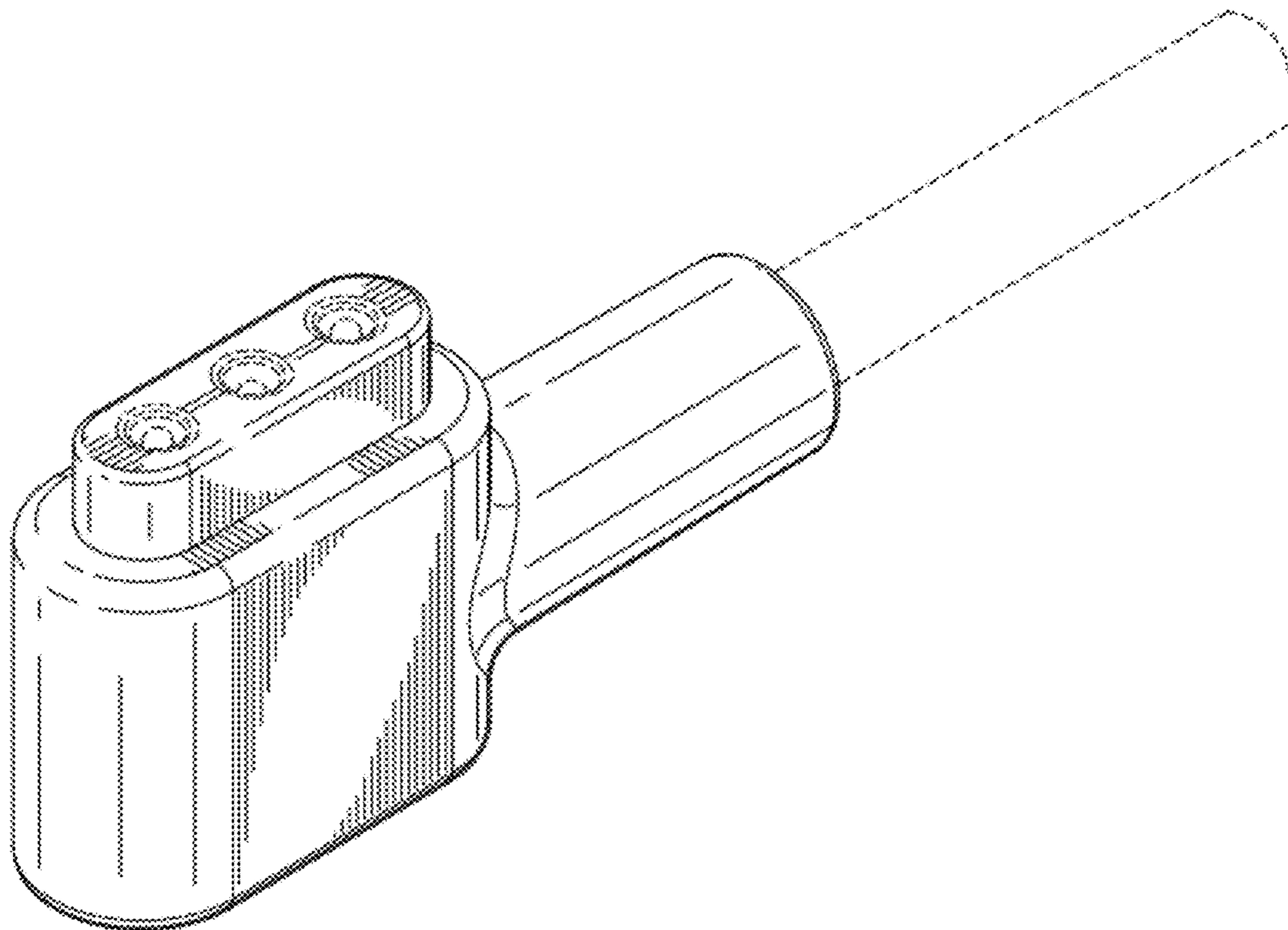
(57) **CLAIM**

We claim the ornamental design for a plug, as shown and described.

DESCRIPTION

FIG. 1 is a front top perspective view of a plug showing our new design;
FIG. 2 is a left side elevational view thereof;
FIG. 3 is a right side elevational view thereof;
FIG. 4 is a front elevational view thereof;
FIG. 5 is a back elevational view thereof;
FIG. 6 is a top plan view thereof; and,
FIG. 7 is a bottom plan view thereof.
The broken line in the figure drawings is included for the purpose of illustrating environment and forms no part of the claimed design.

1 Claim, 4 Drawing Sheets



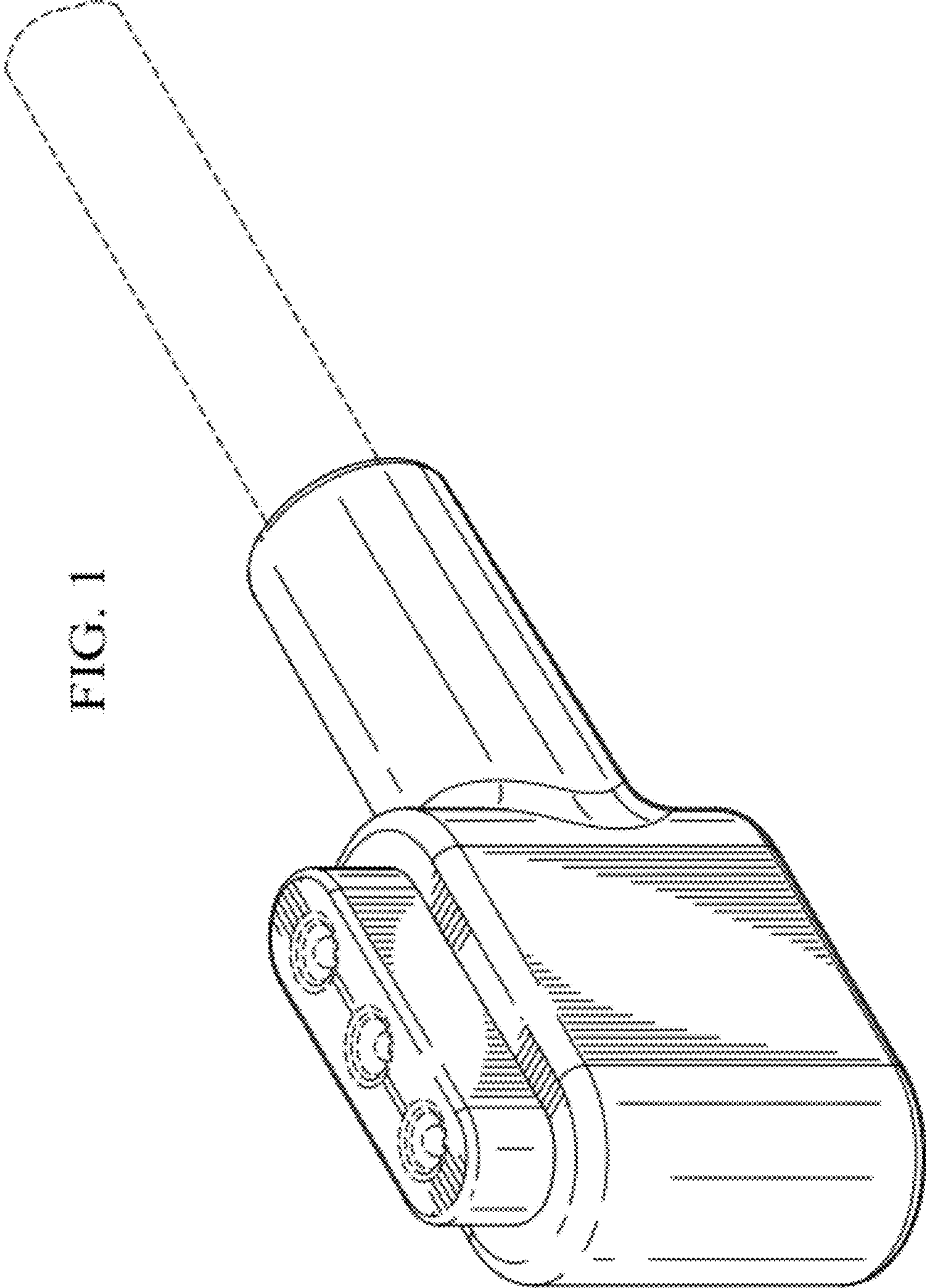


FIG. 1

FIG. 2

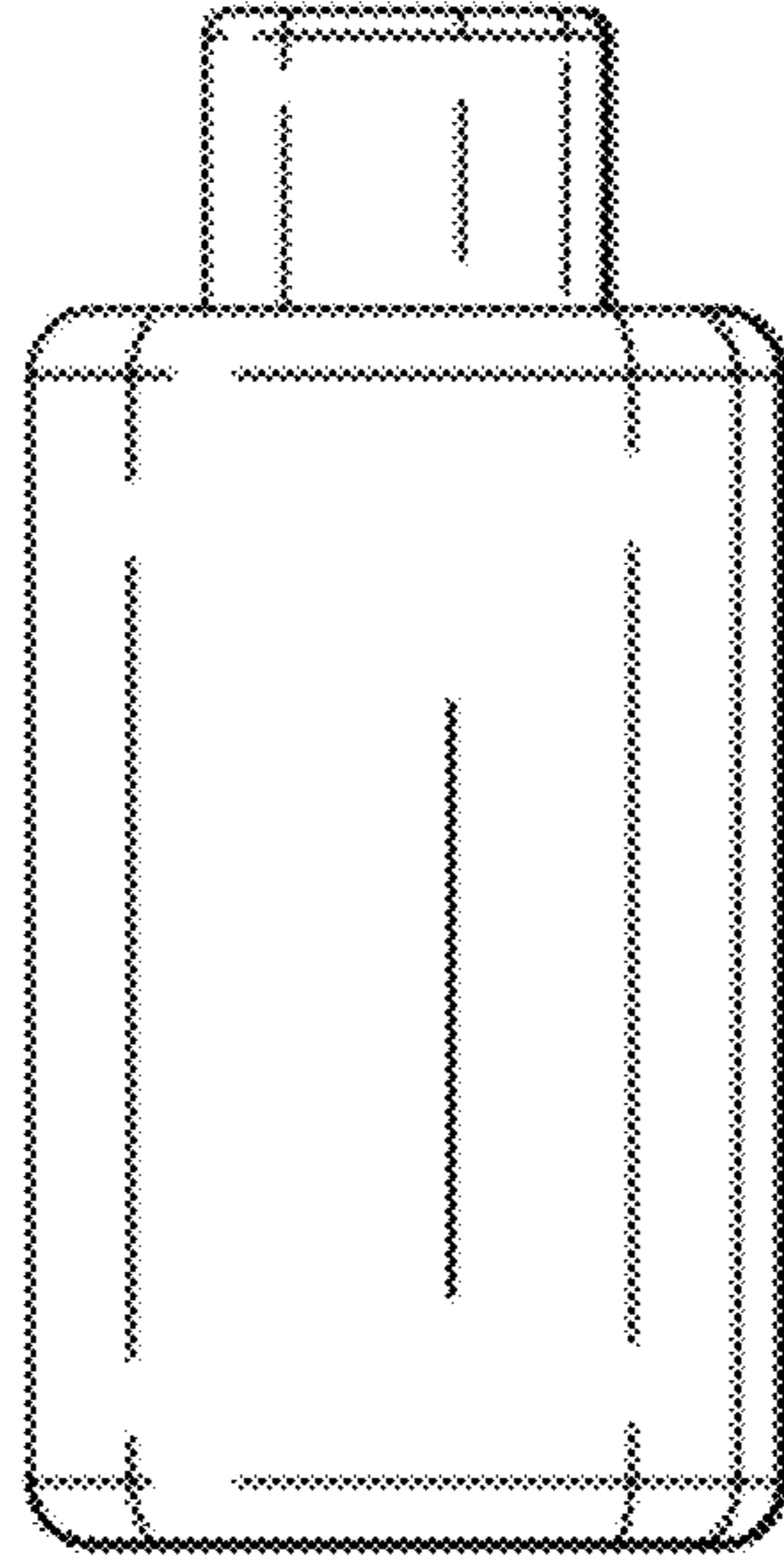
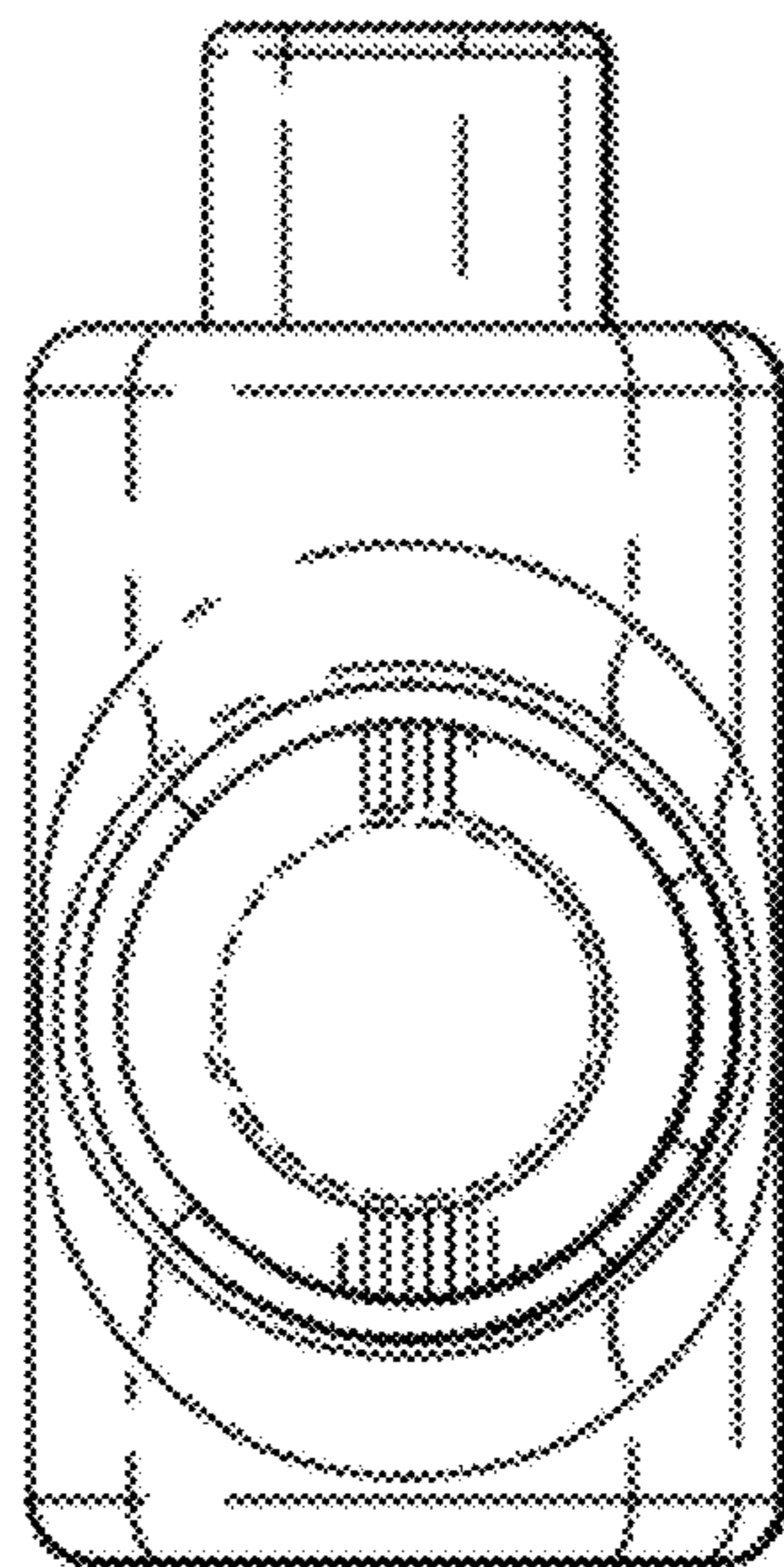


FIG. 3



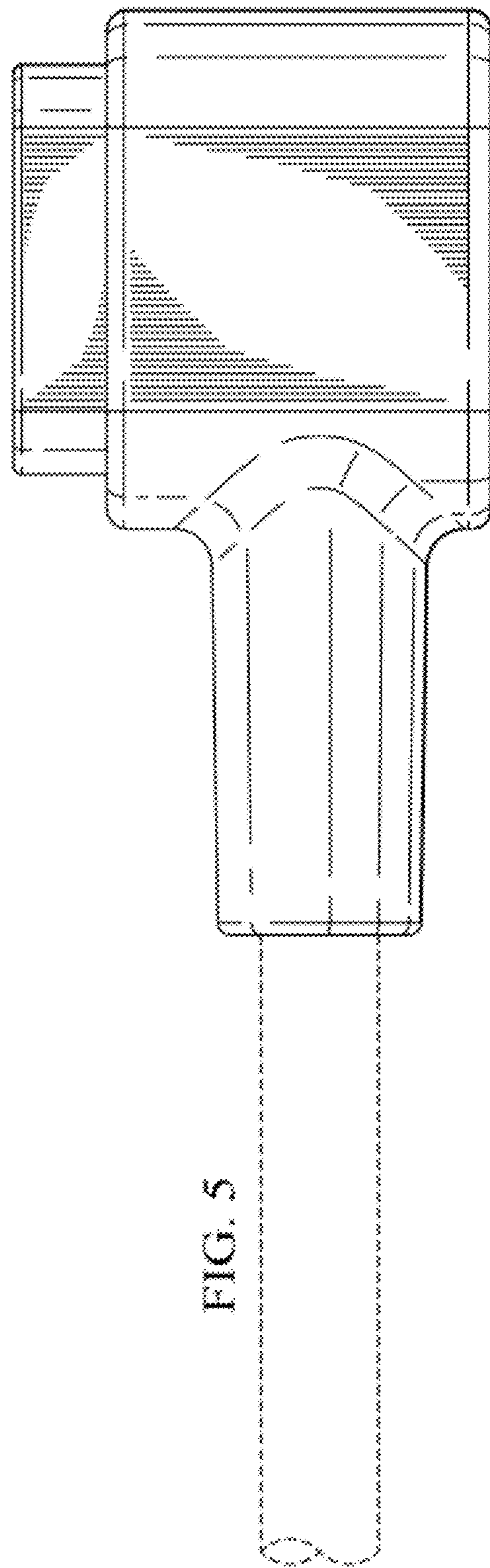
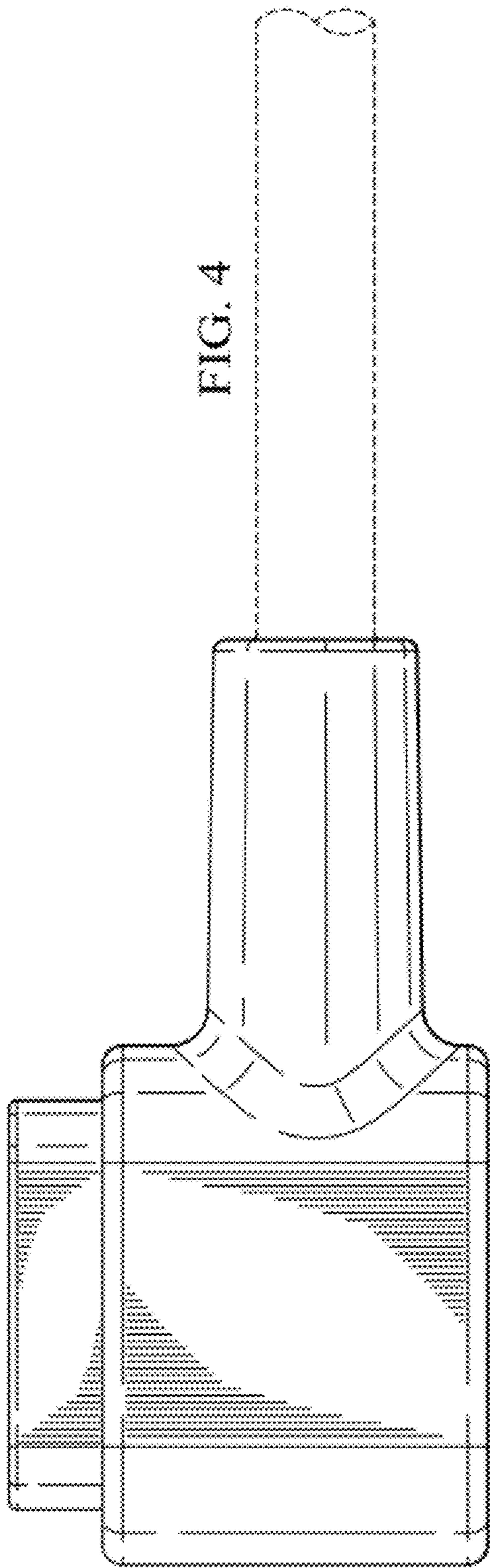


FIG. 6

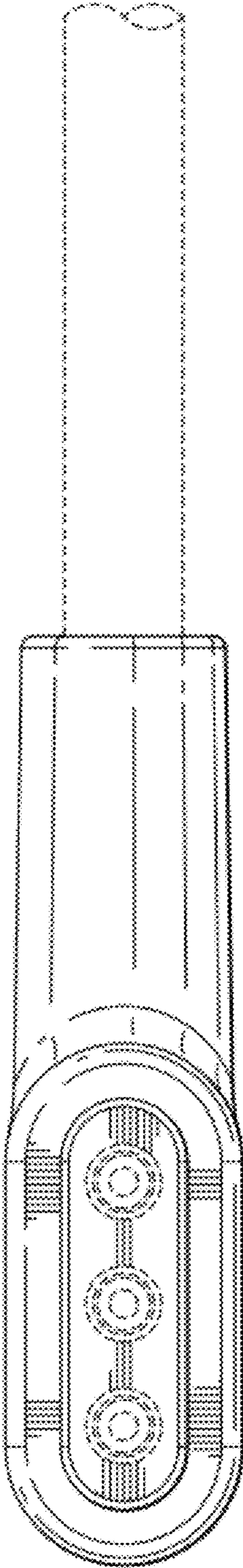


FIG. 7

