



US00D676811S

(12) **United States Design Patent**
Marshall

(10) **Patent No.:** **US D676,811 S**

(45) **Date of Patent:** **** Feb. 26, 2013**

(54) **MOTOR**

(75) Inventor: **Aaron Marshall**, Richmond (AU)

(73) Assignee: **Astral Pool Australia Pty Ltd**, Nobel Park (AU)

(**) Term: **14 Years**

(21) Appl. No.: **29/419,762**

(22) Filed: **May 1, 2012**

(30) **Foreign Application Priority Data**

Nov. 1, 2011 (AU) 14911/2011
Nov. 1, 2011 (AU) 14912/2011

(51) **LOC (9) Cl.** **13-01**

(52) **U.S. Cl.** **D13/112**

(58) **Field of Classification Search** D13/112,
D13/113, 114, 122, 199; D15/3, 5, 199;
74/606 R, 609; 310/10, 40 R, 42, 51, 58,
310/71, 85, 89, 91, 109, 236, 239, 254; 318/245,
318/255; 29/596

See application file for complete search history.

(56) **References Cited**

U.S. PATENT DOCUMENTS

D236,985 S * 9/1975 Baumann D13/114
4,244,098 A * 1/1981 Barcus 29/596
D576,941 S * 9/2008 Evon et al. D13/112
D593,945 S * 6/2009 Lannoch D13/122
D609,181 S * 2/2010 Lannoch D13/112

D622,215 S * 8/2010 Heimbruch et al. D13/112
D627,295 S * 11/2010 Lannoch D13/112
D627,723 S * 11/2010 Kuraishi et al. D13/112

* cited by examiner

Primary Examiner — Derrick Holland

(74) *Attorney, Agent, or Firm* — Oblon, Spivak,
McClelland, Maier & Neustadt, L.L.P.

(57) **CLAIM**

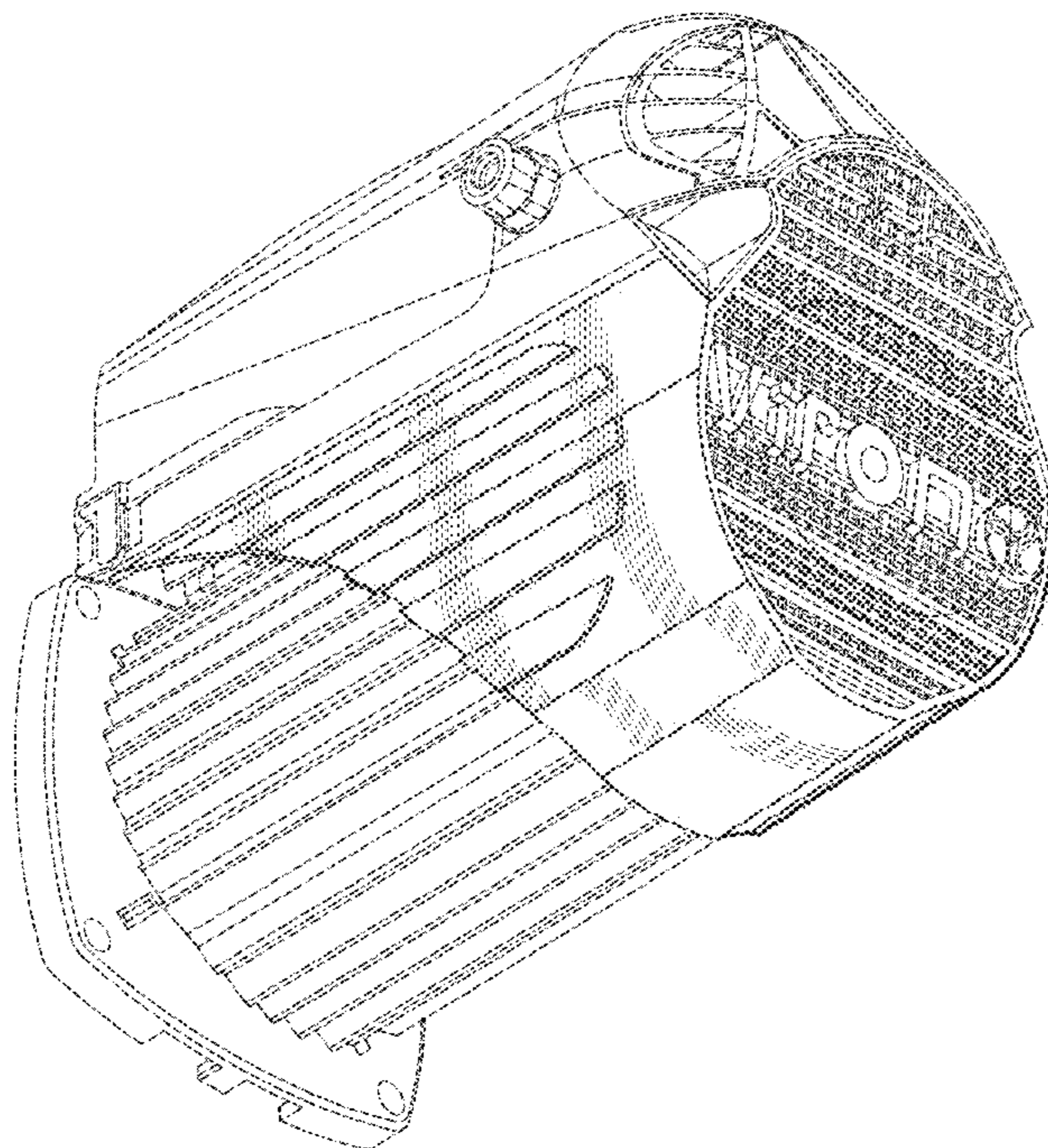
The ornamental design for a motor, as shown and described.

DESCRIPTION

FIG. 1 is a front elevational view of a motor;
FIG. 2 is a rear elevational view thereof;
FIG. 3 is a top plan view thereof;
FIG. 4 is a bottom plan view thereof;
FIG. 5 is a right side elevational view thereof;
FIG. 6 is a left side elevational view thereof;
FIG. 7 is a rear, top, and right side perspective view thereof;
FIG. 8 is a rear, bottom, and right side perspective view thereof;
FIG. 9 is a front, top, and right side perspective view thereof;
and,
FIG. 10 is a front, bottom, and right side perspective view thereof.

The broken lines shown represent unclaimed subject matter only and form no part of the claim. Where broken lines abut a claimed surface it is understood that those broken lines represent an unclaimed boundary between claimed and unclaimed surfaces. None of the broken lines form any part of the claimed design.

1 Claim, 10 Drawing Sheets



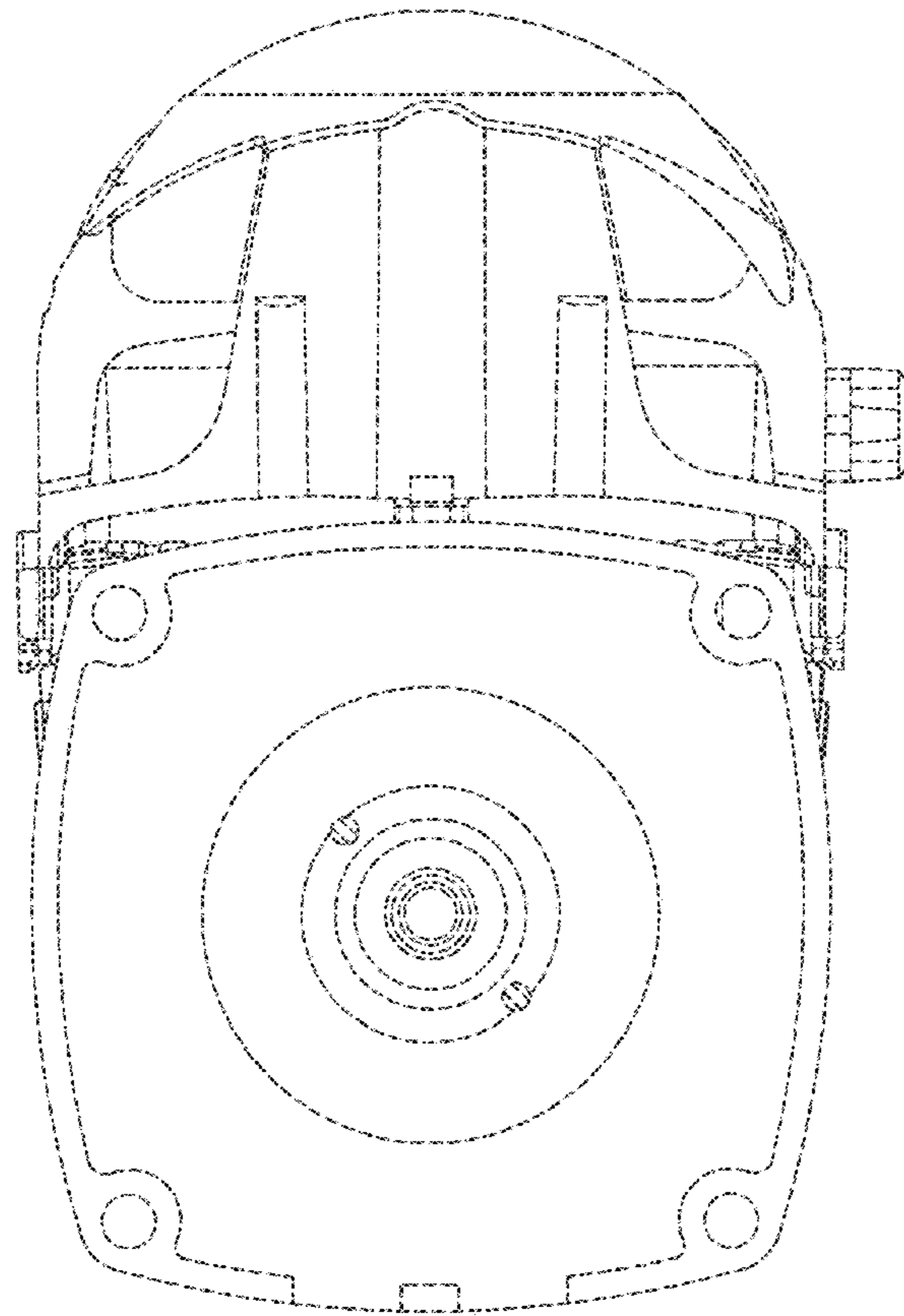


Fig. 1

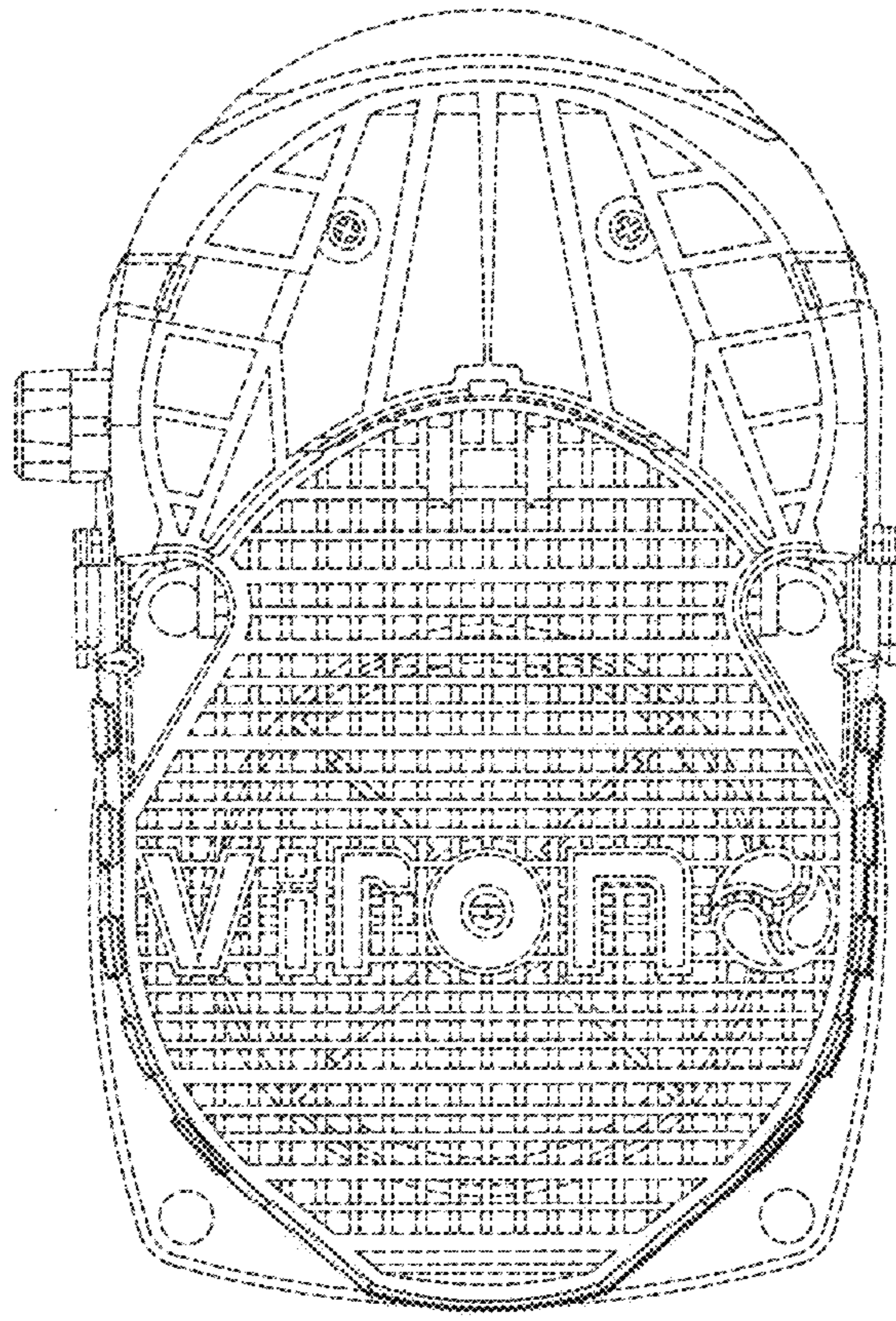


Fig. 2

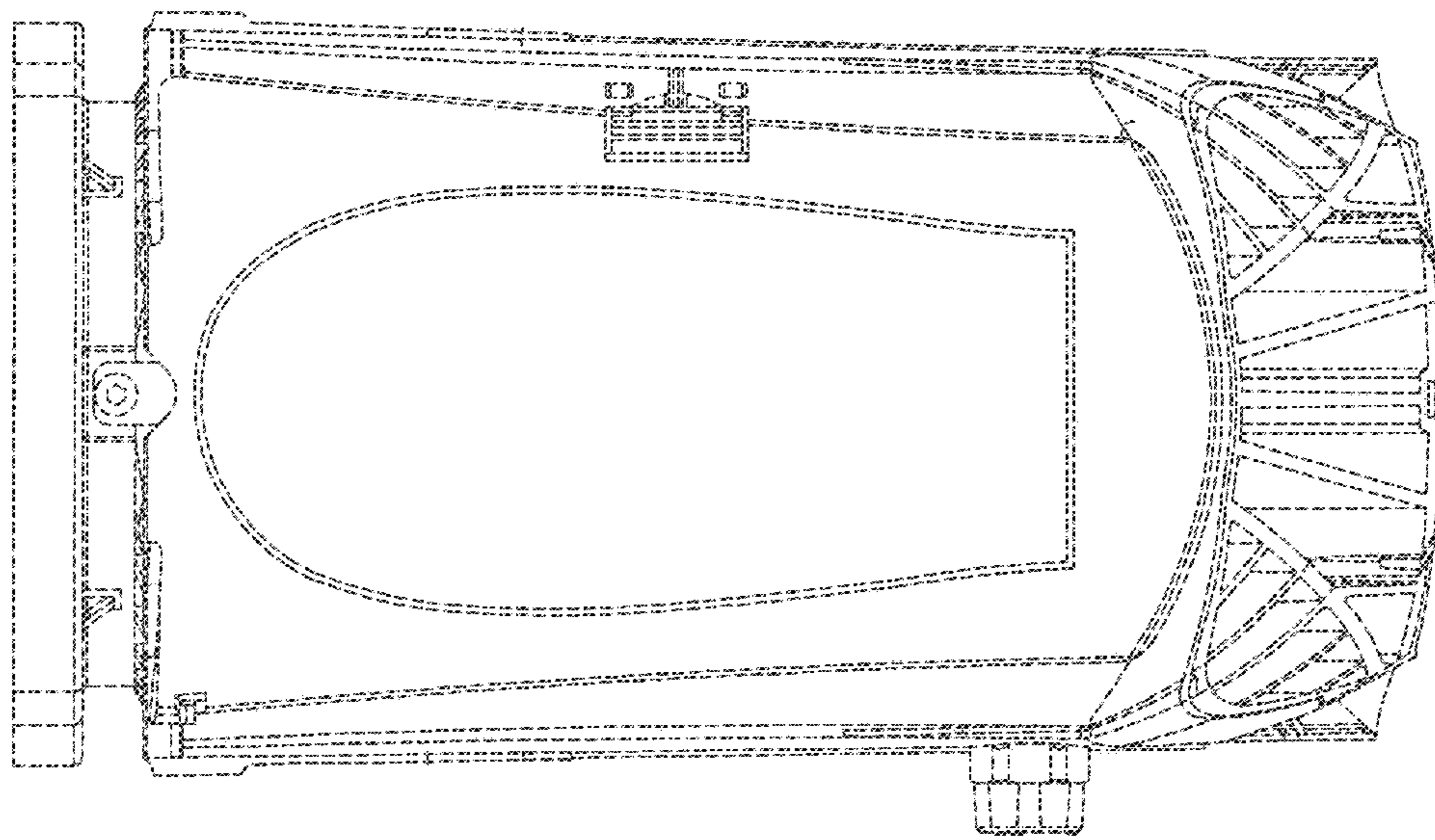


Fig. 3

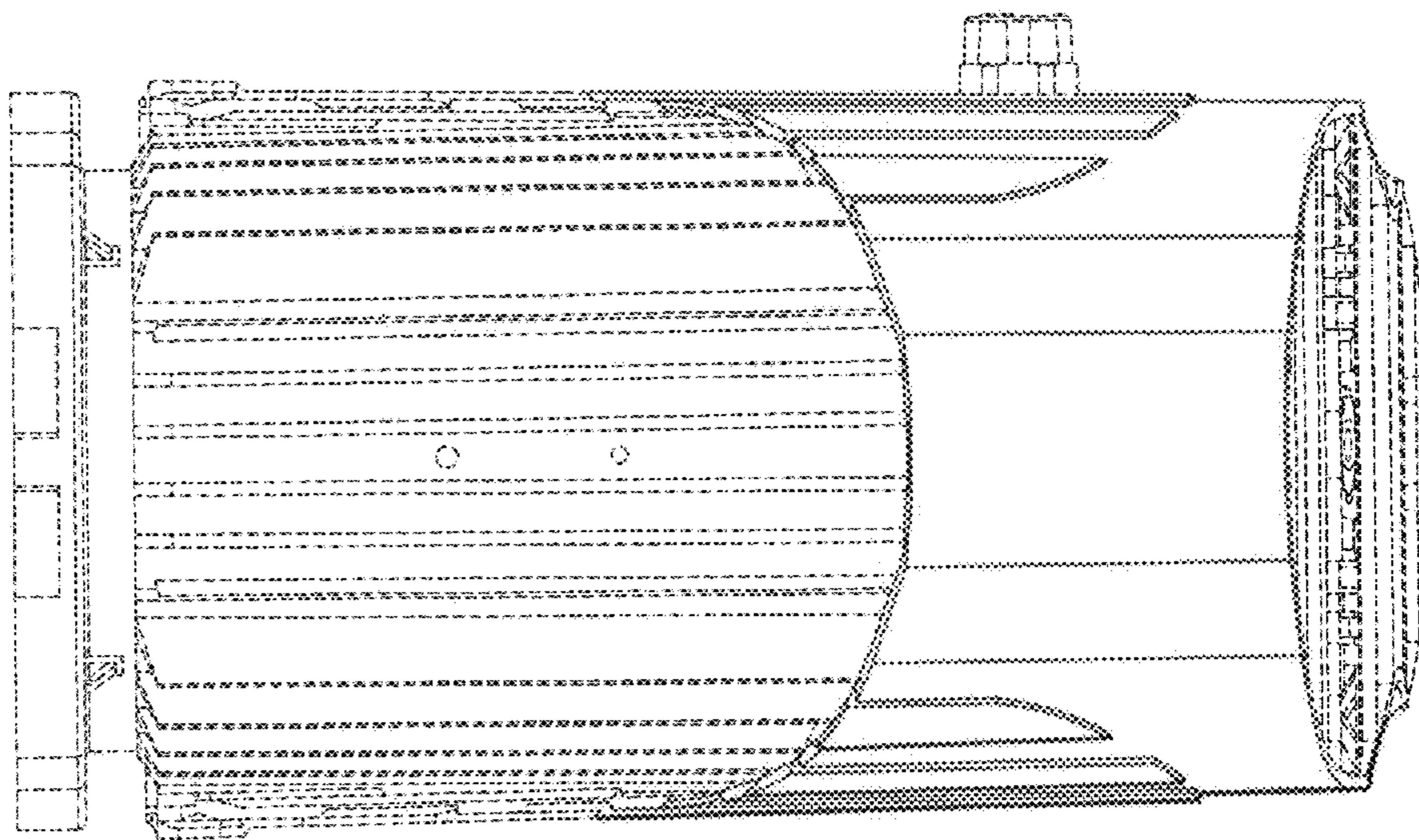


Fig. 4

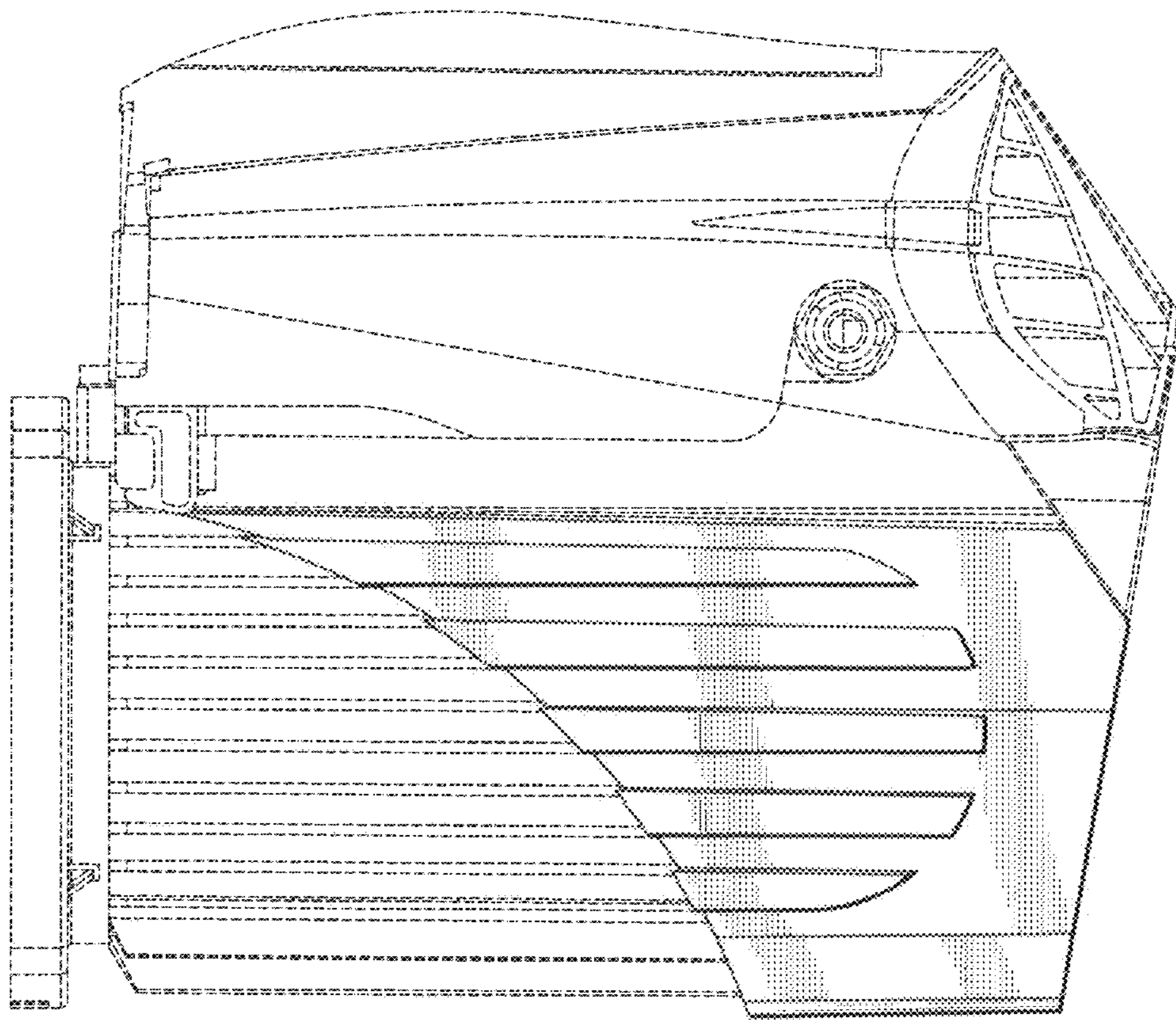


Fig. 5

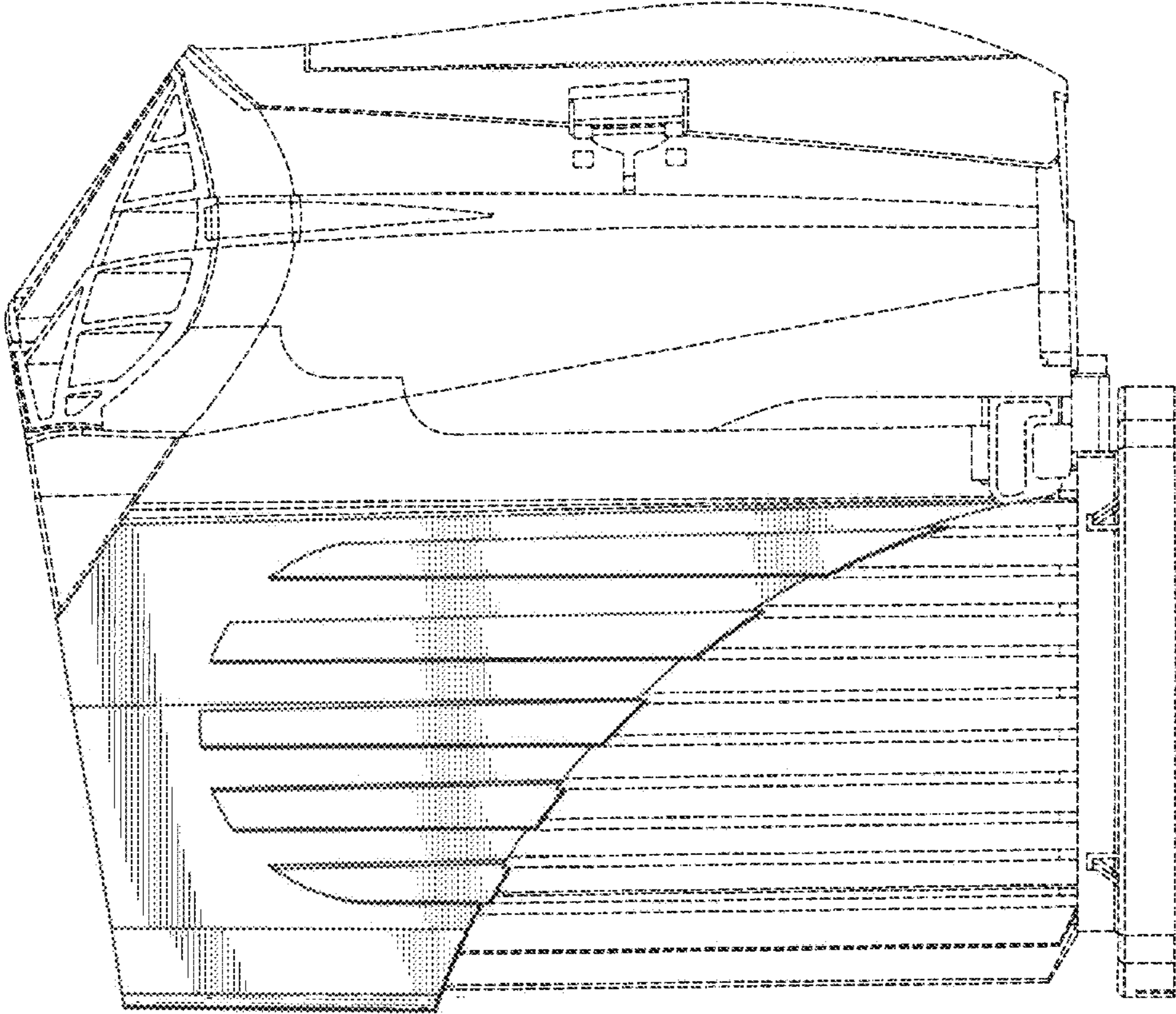


Fig. 6

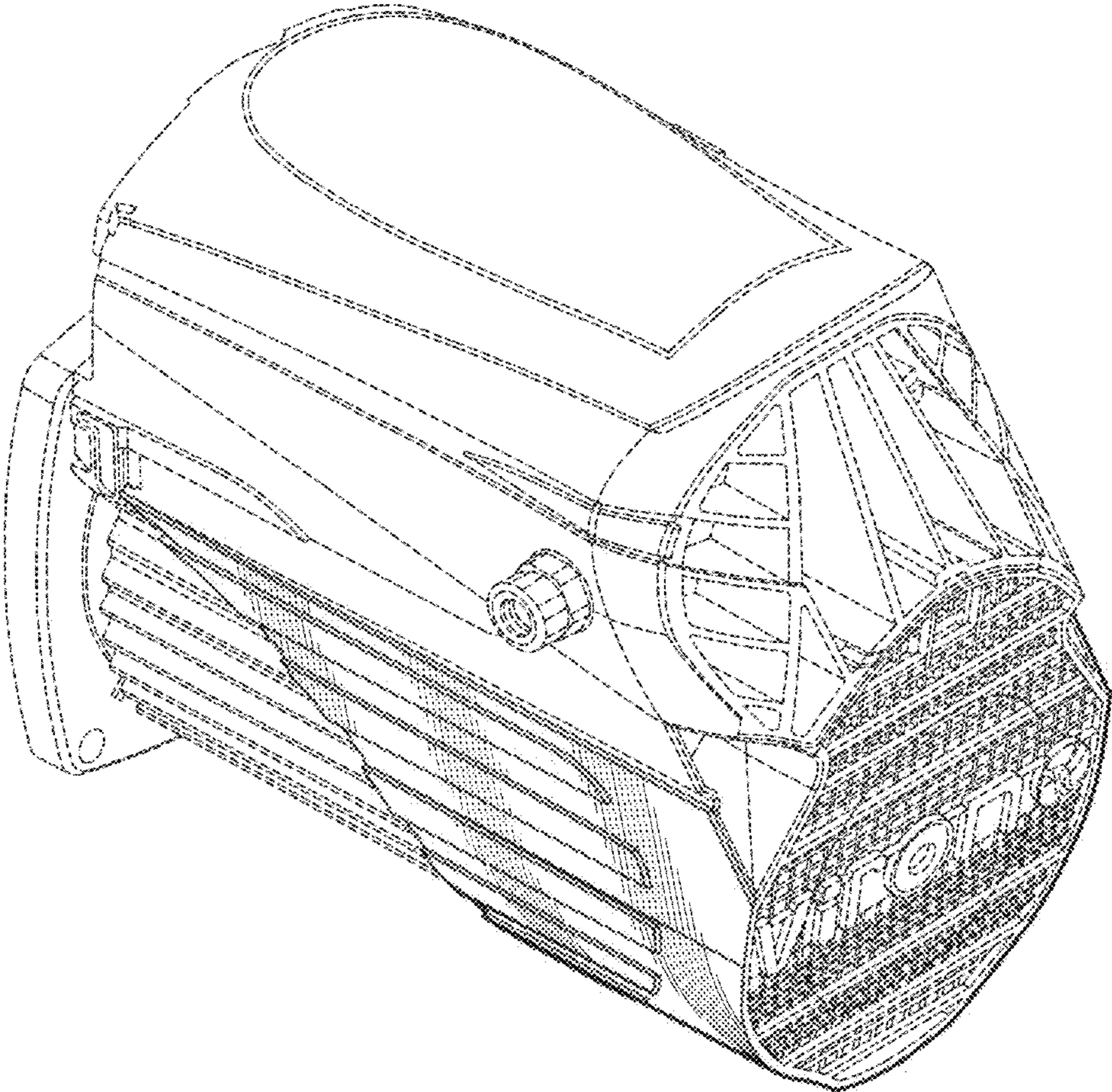


Fig. 7

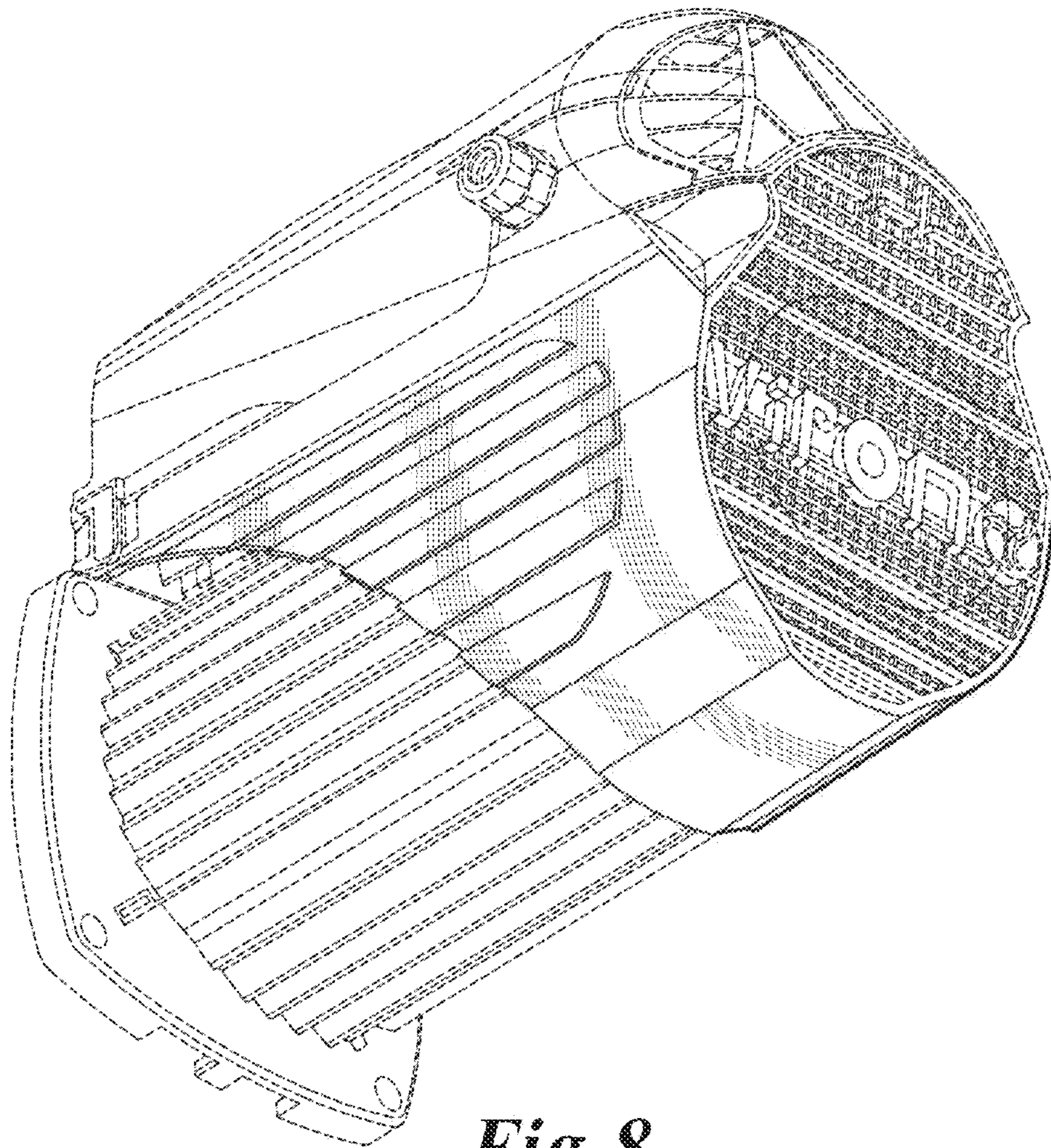


Fig. 8

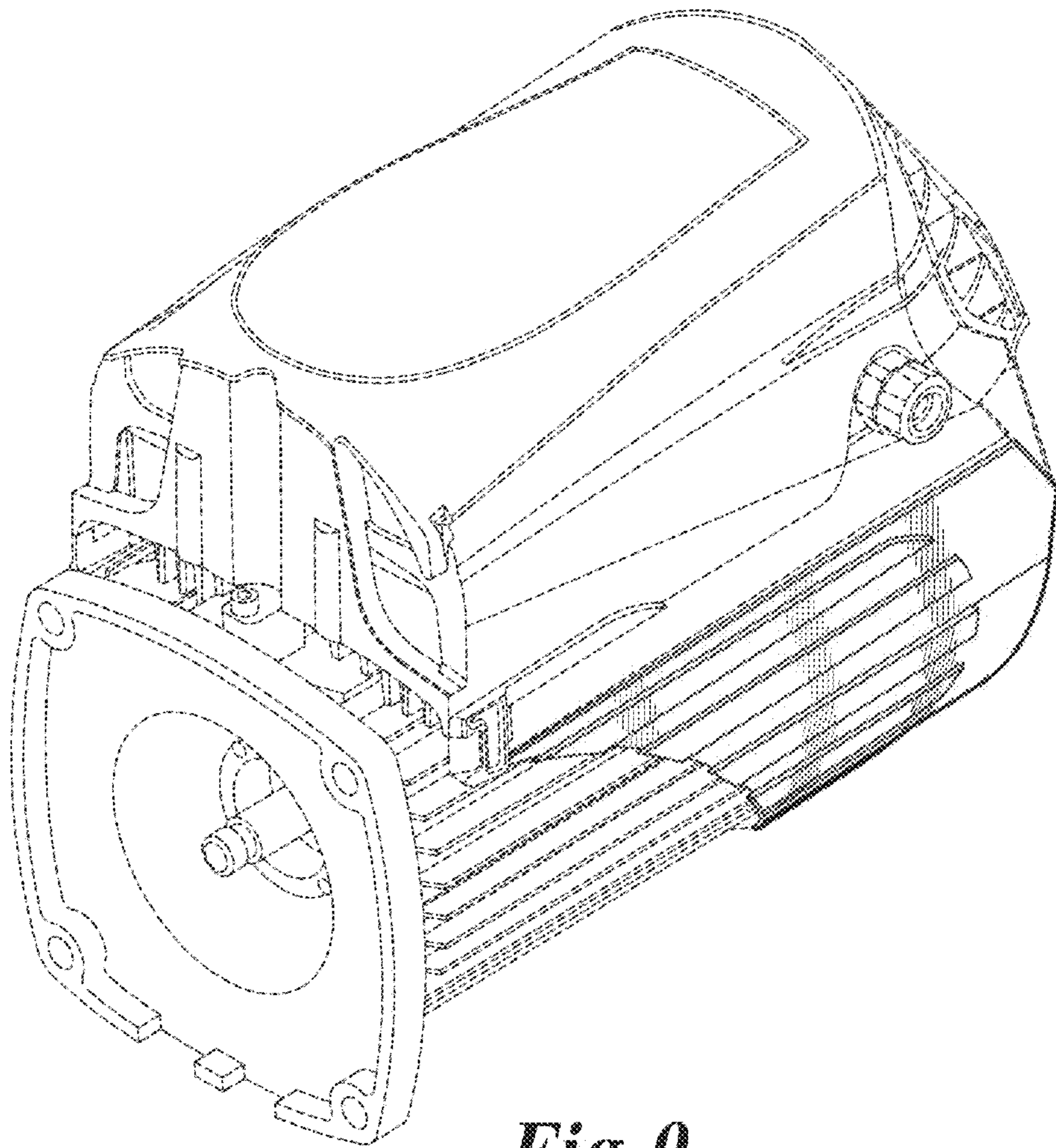


Fig. 9

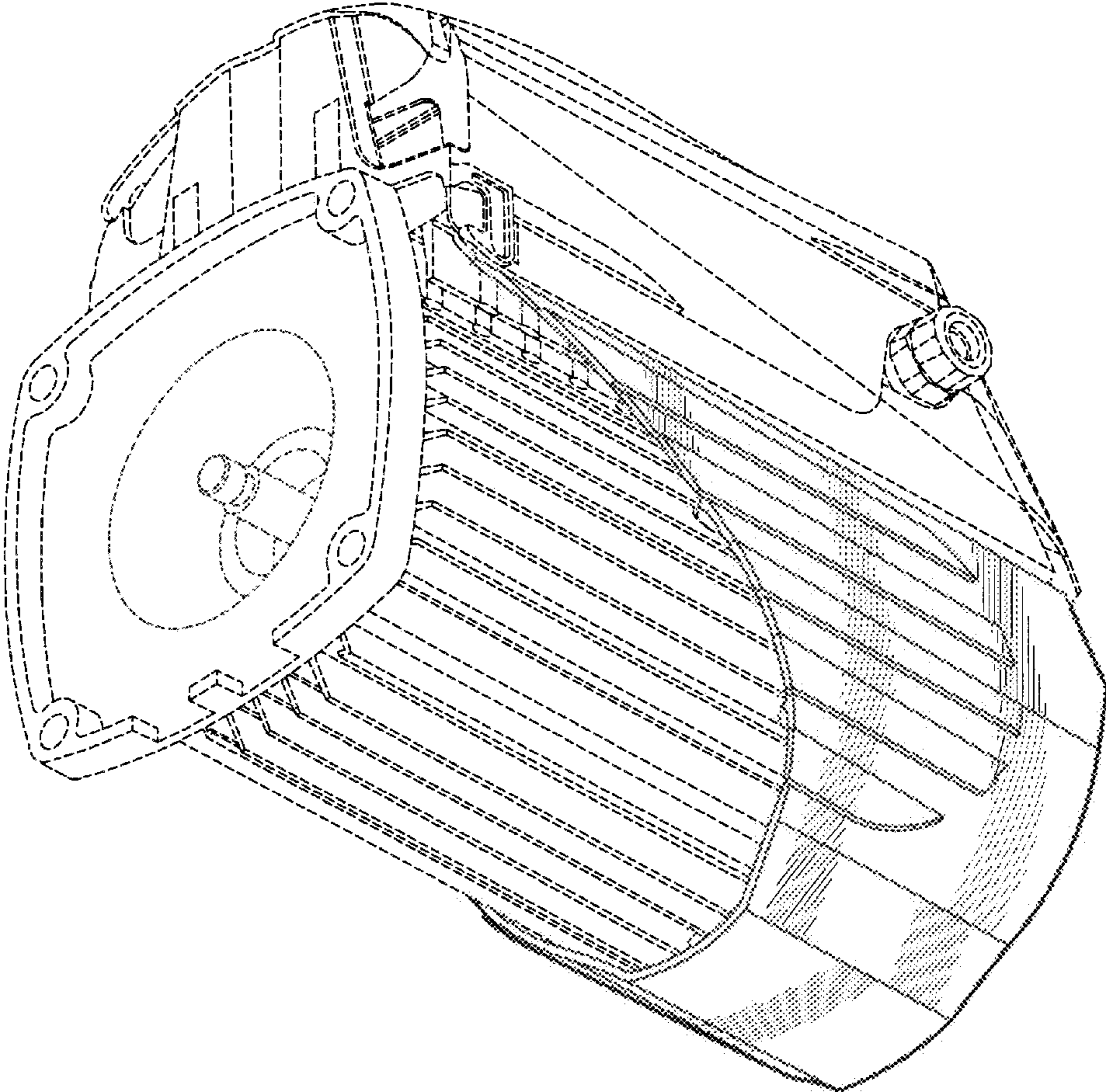


Fig. 10