



US00D676810S

(12) **United States Design Patent**
Smith et al.

(10) **Patent No.:** **US D676,810 S**
(45) **Date of Patent:** **** Feb. 26, 2013**

(54) **PLUG**

(75) Inventors: **Dustin Jonathan Smith**, Kitchener (CA); **Anders Fahrendorff**, Ottawa (CA); **Todd Andrew Wood**, Toronto (CA)

(73) Assignee: **Research In Motion Limited**, Waterloo, Ontario (CA)

(**) Term: **14 Years**

(21) Appl. No.: **29/423,259**

(22) Filed: **May 30, 2012**

(51) **LOC (9) Cl.** **13-02**

(52) **U.S. Cl.** **D13/110**

(58) **Field of Classification Search** D13/110, D13/103, 107, 108, 123, 133, 137.1, 138.1, D13/138.2, 199; 174/53, 54, 59, 61; 307/150, 307/151; 320/111, 114; 363/132, 140, 142, 363/143, 146; 439/105, 131, 166, 171-173, 439/218, 518, 692, 956; D14/240, 251, 253, D14/432, 433, 434

See application file for complete search history.

(56) **References Cited**

U.S. PATENT DOCUMENTS

D374,657	S	*	10/1996	Beranek	D13/138.1
D432,497	S	*	10/2000	Totsuka et al.	D13/110
D587,192	S	*	2/2009	McGinley et al.	D13/110
D587,193	S	*	2/2009	McGinley et al.	D13/110
D609,639	S	*	2/2010	Kawahara et al.	D13/110
D611,409	S	*	3/2010	Green et al.	D13/110
D616,364	S	*	5/2010	Nylen	D13/108
D621,349	S	*	8/2010	Nylen	D13/108
D640,632	S	*	6/2011	Smith et al.	D13/138.1
2009/0289596	A1	*	11/2009	McGinley et al.	320/111

* cited by examiner

Primary Examiner — Derrick Holland

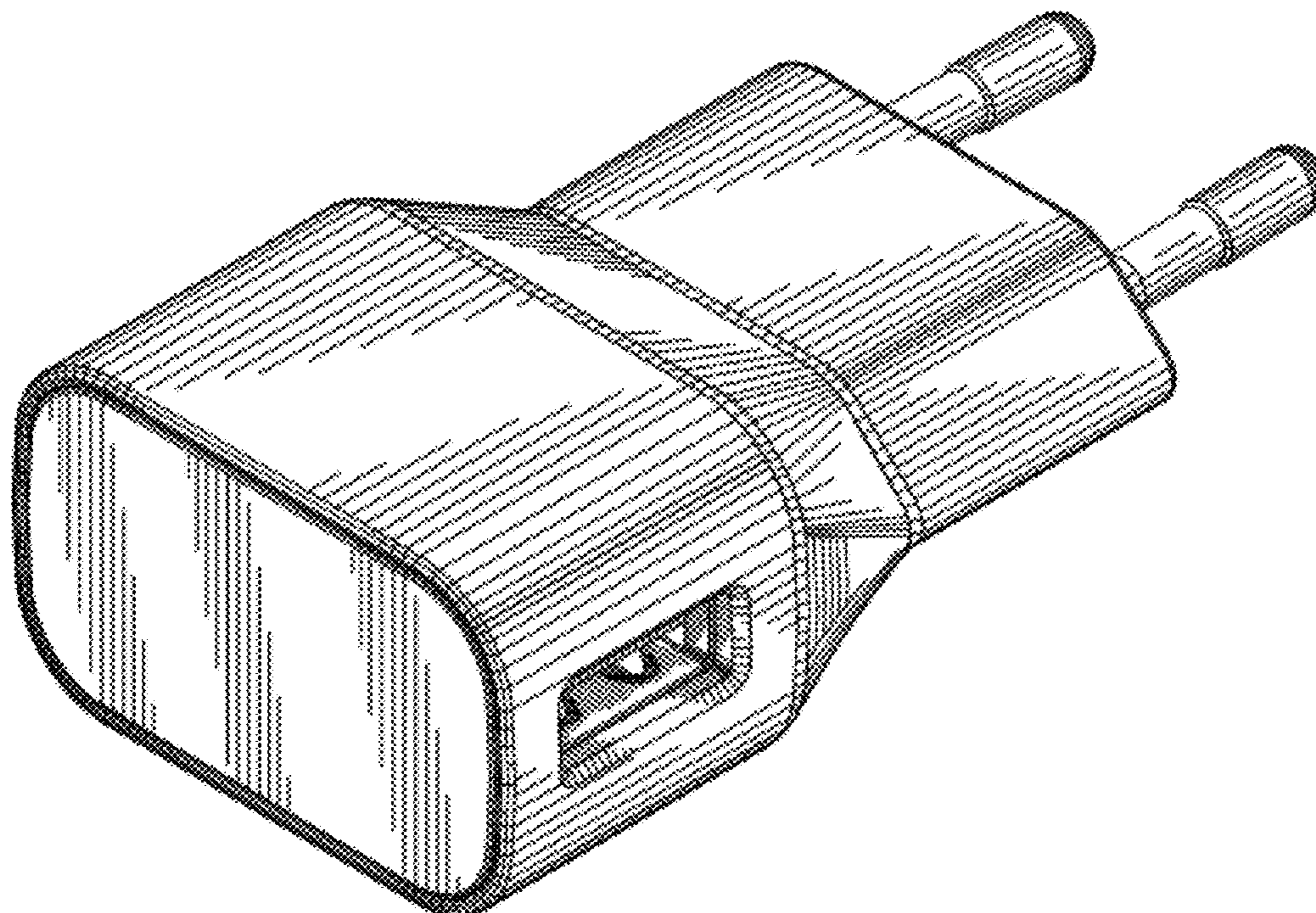
(57) **CLAIM**

We claim the ornamental design for a plug, as shown and described.

DESCRIPTION

FIG. 1 is a front perspective view of a plug;
FIG. 2 is a back perspective view of the plug;
FIG. 3 is a top plan view thereof;
FIG. 4 is a bottom plan view thereof;
FIG. 5 is a left elevation view thereof;
FIG. 6 is a right elevation view thereof;
FIG. 7 is a front elevation view thereof; and,
FIG. 8 is a back elevation view thereof.

1 Claim, 6 Drawing Sheets



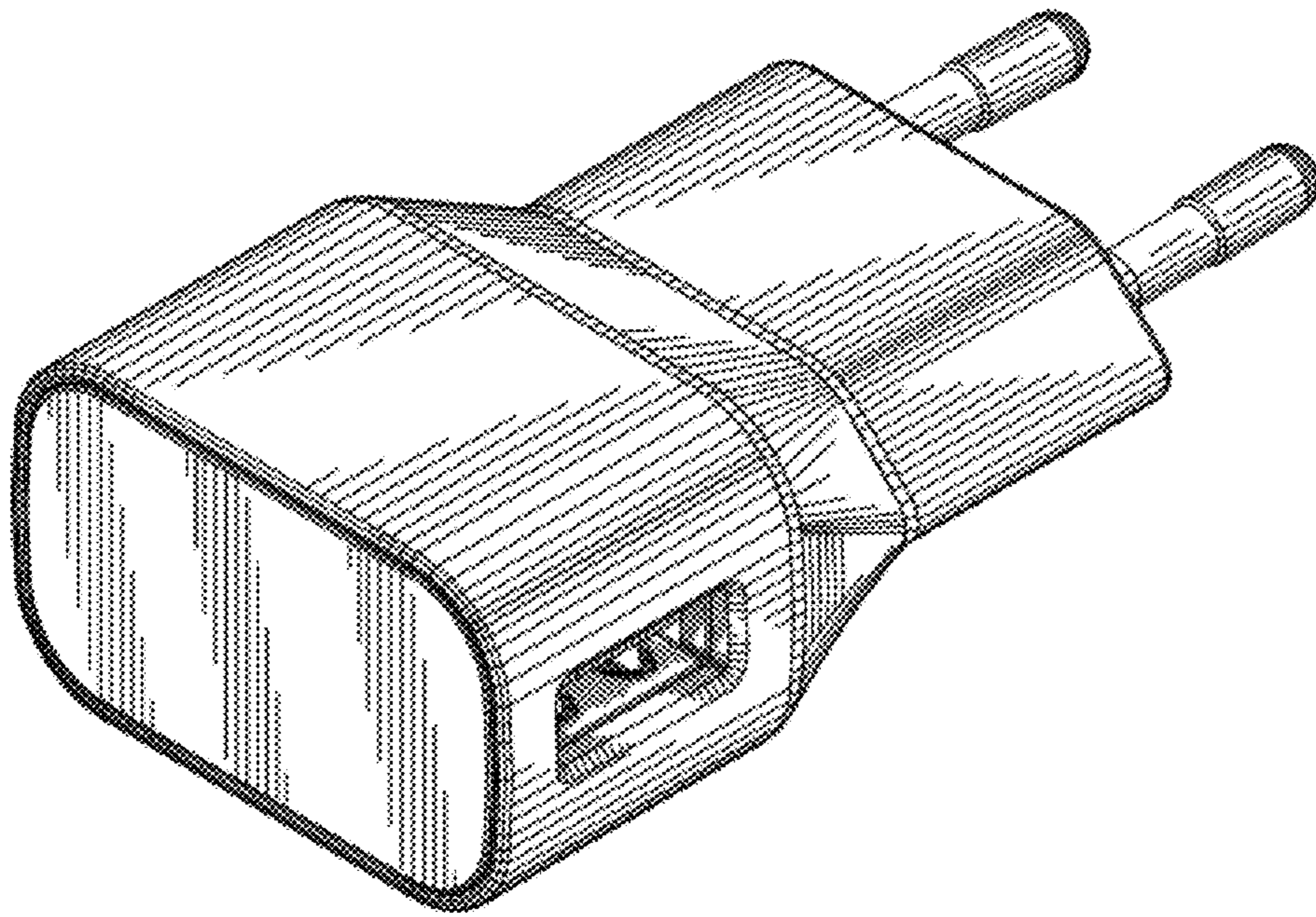


FIG.1

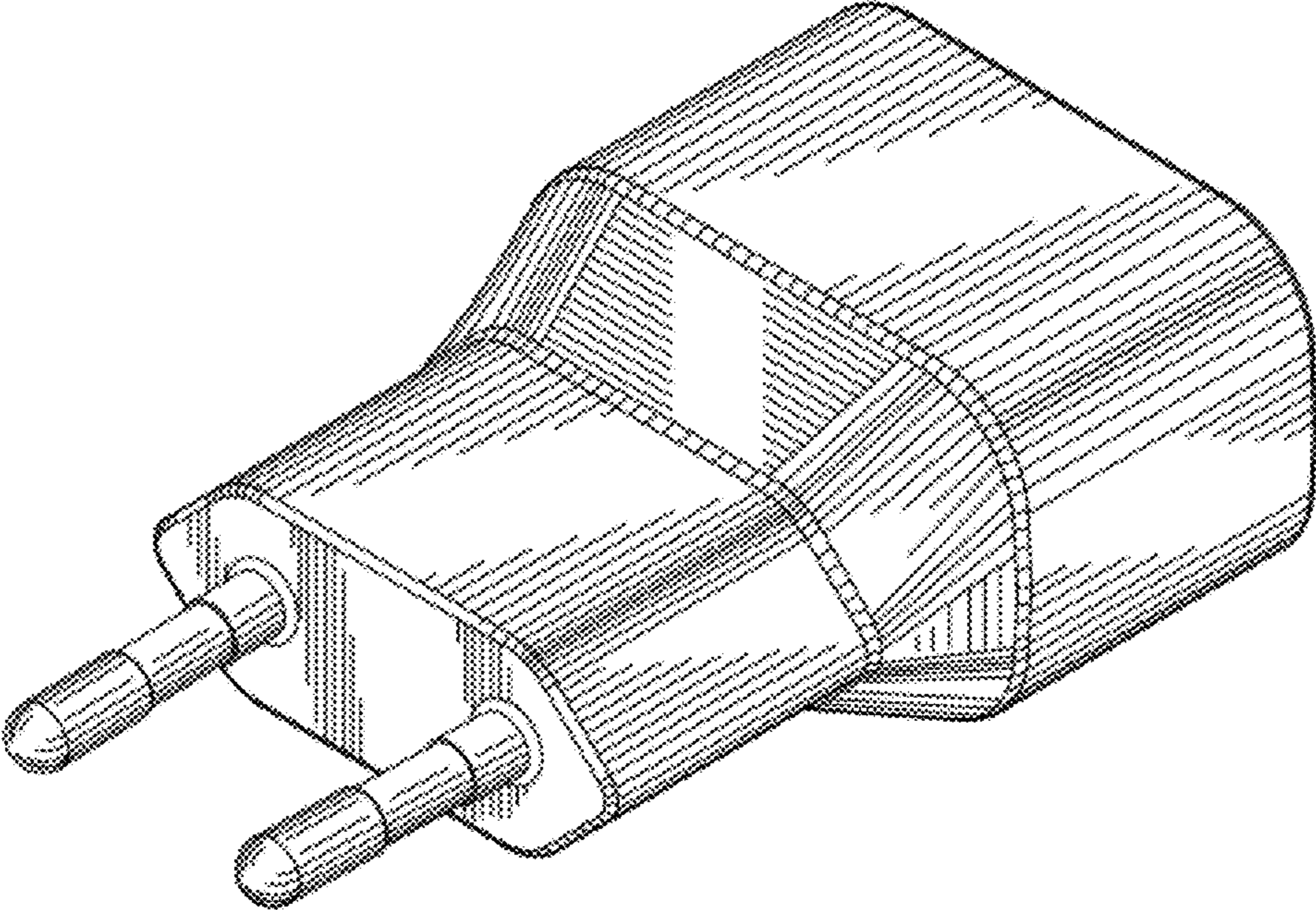


FIG.2

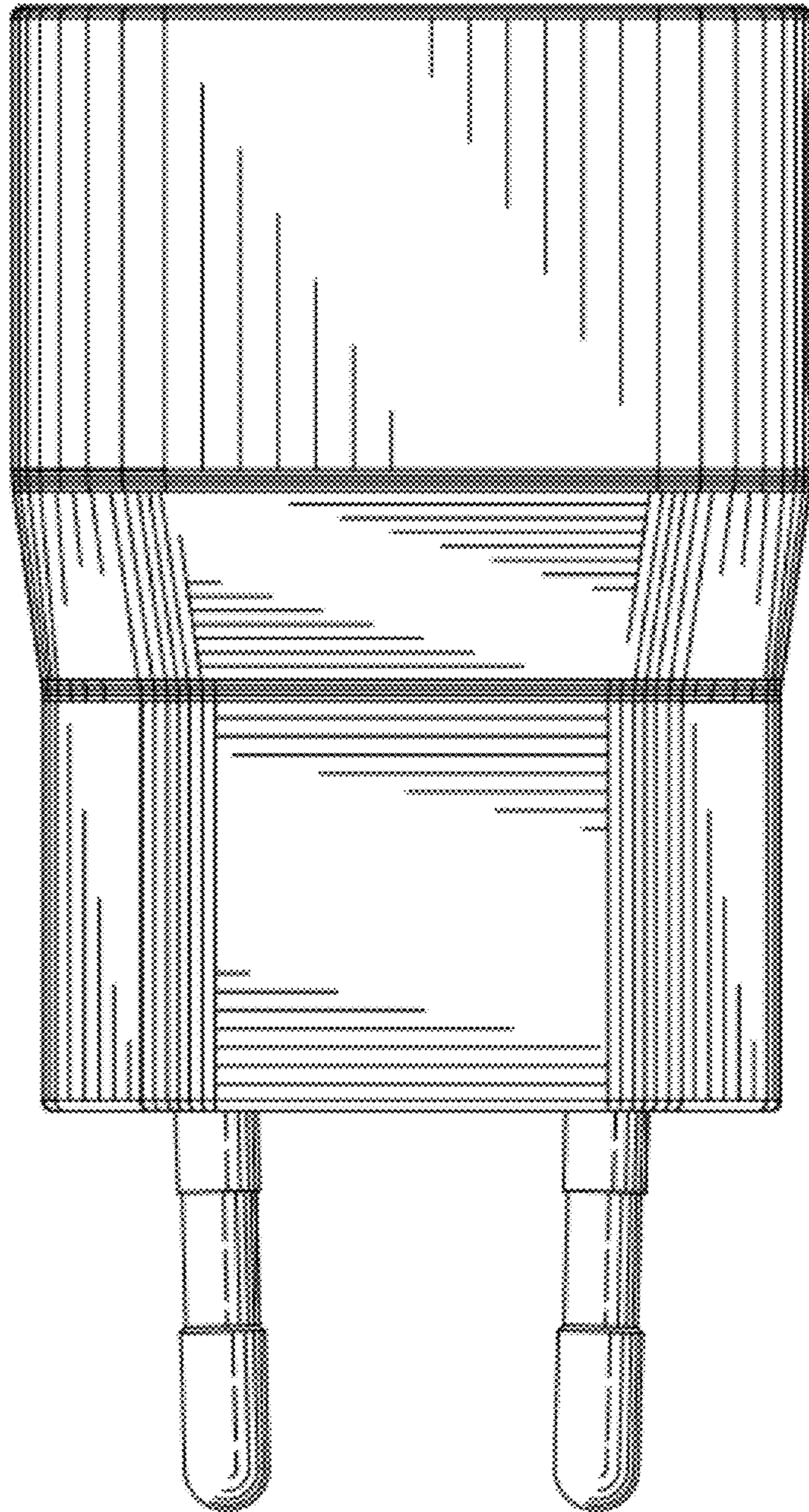


FIG.3

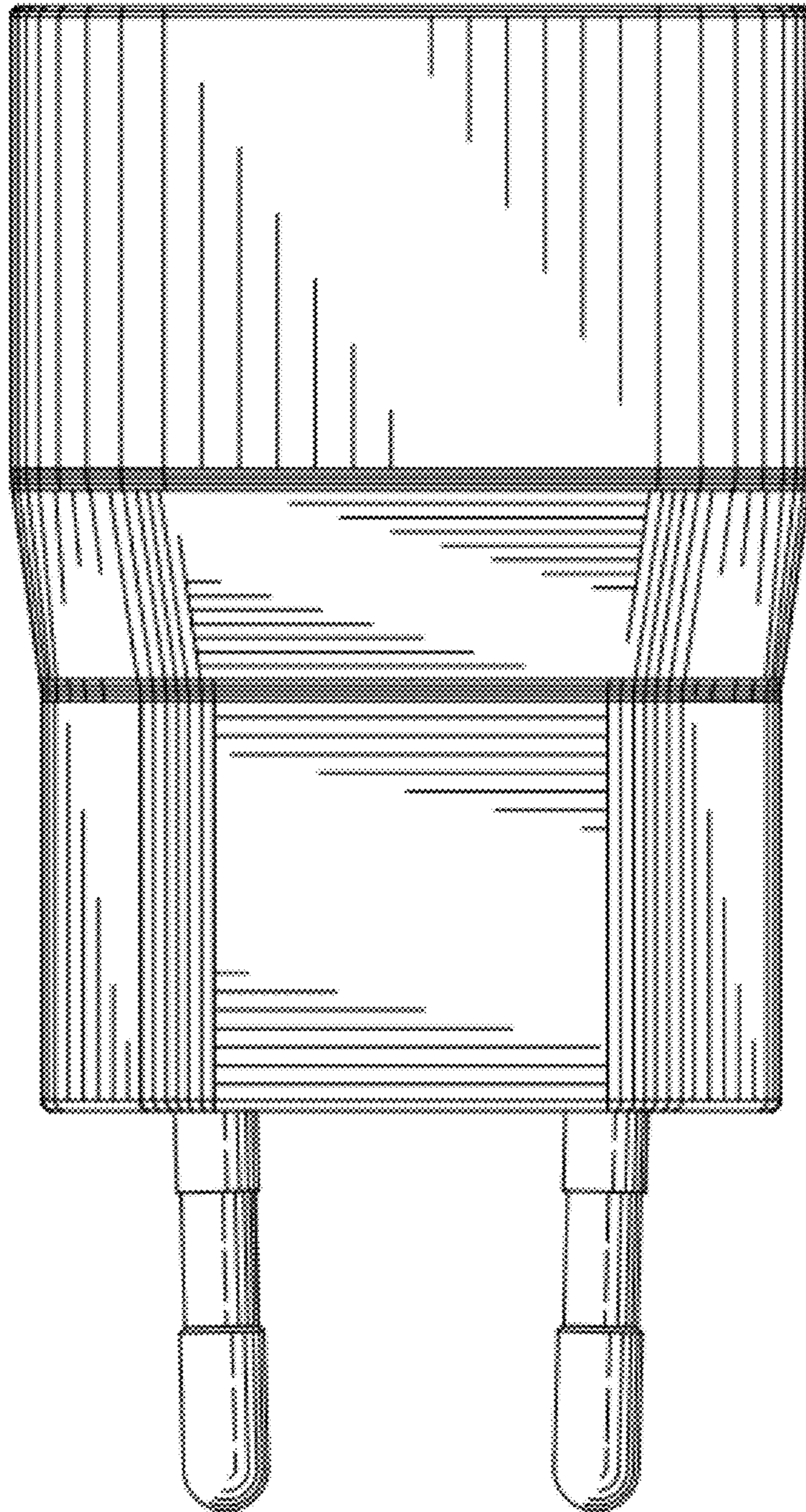


FIG.4

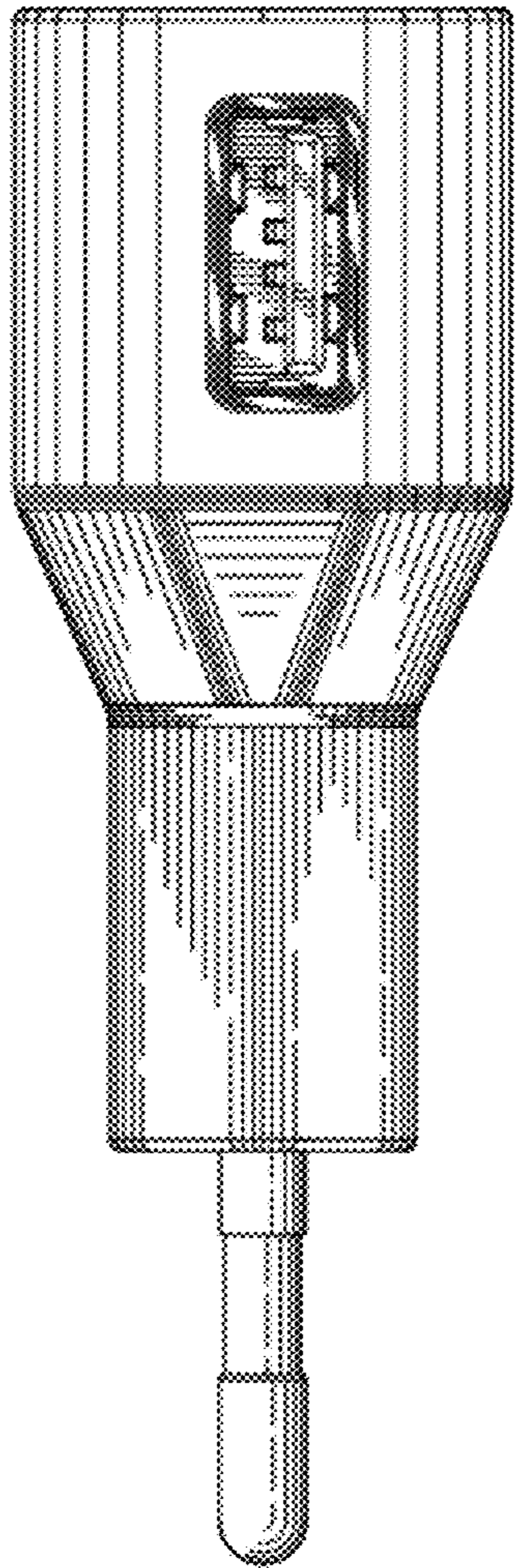


FIG.5

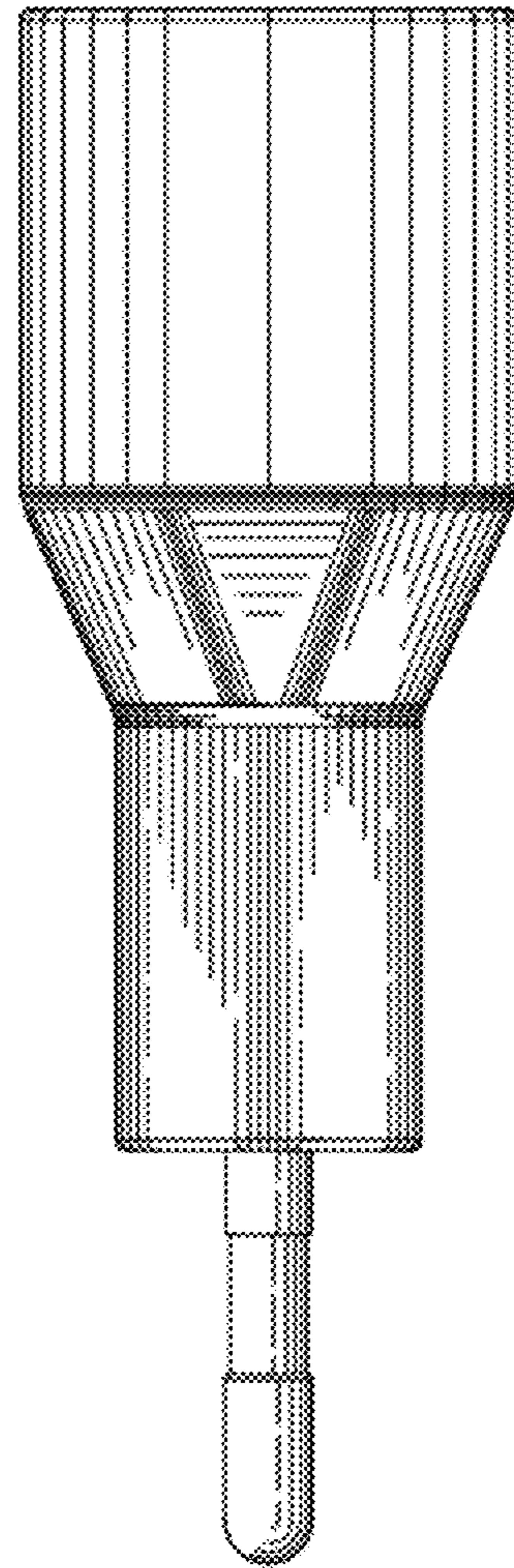


FIG.6

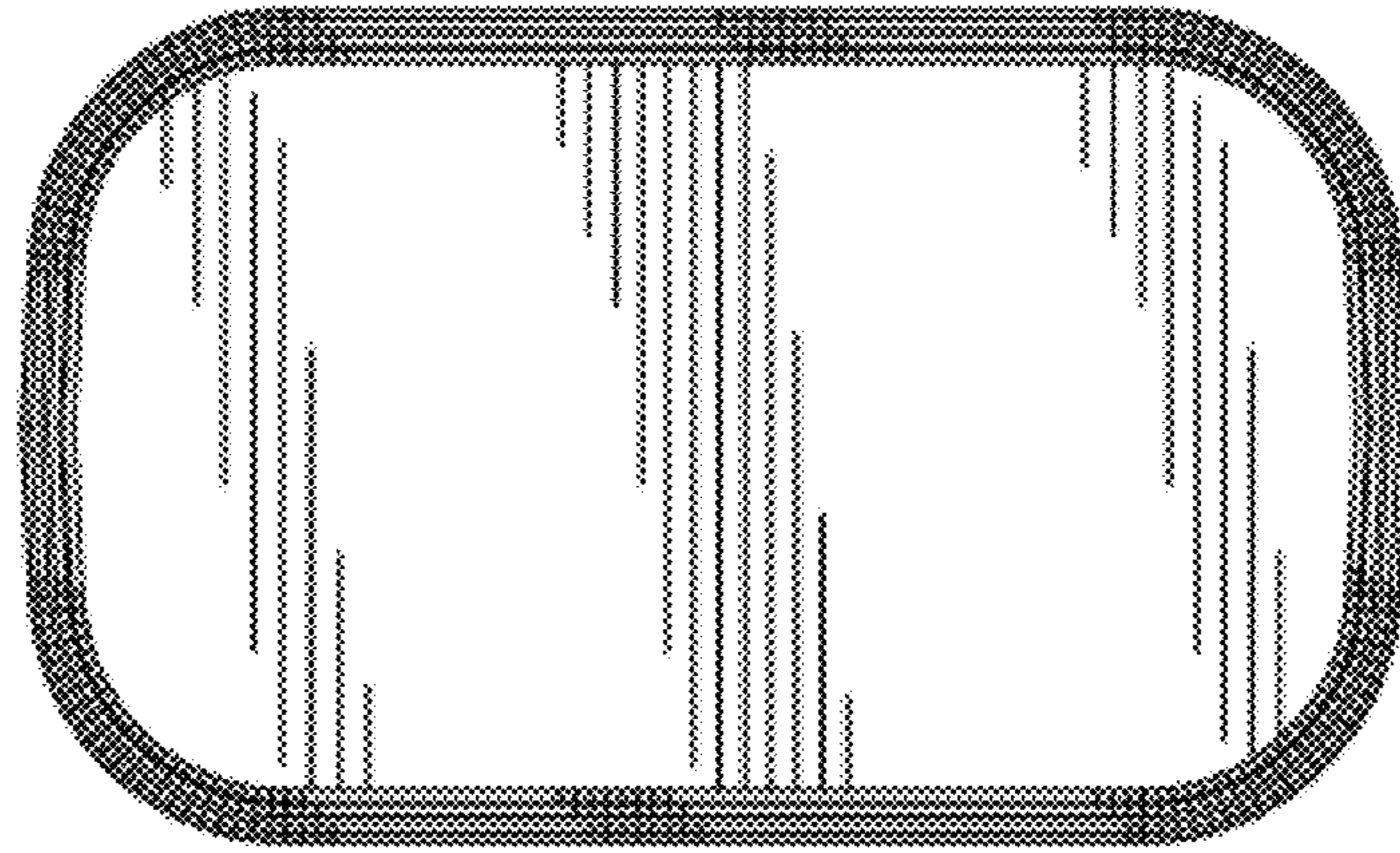


FIG. 7

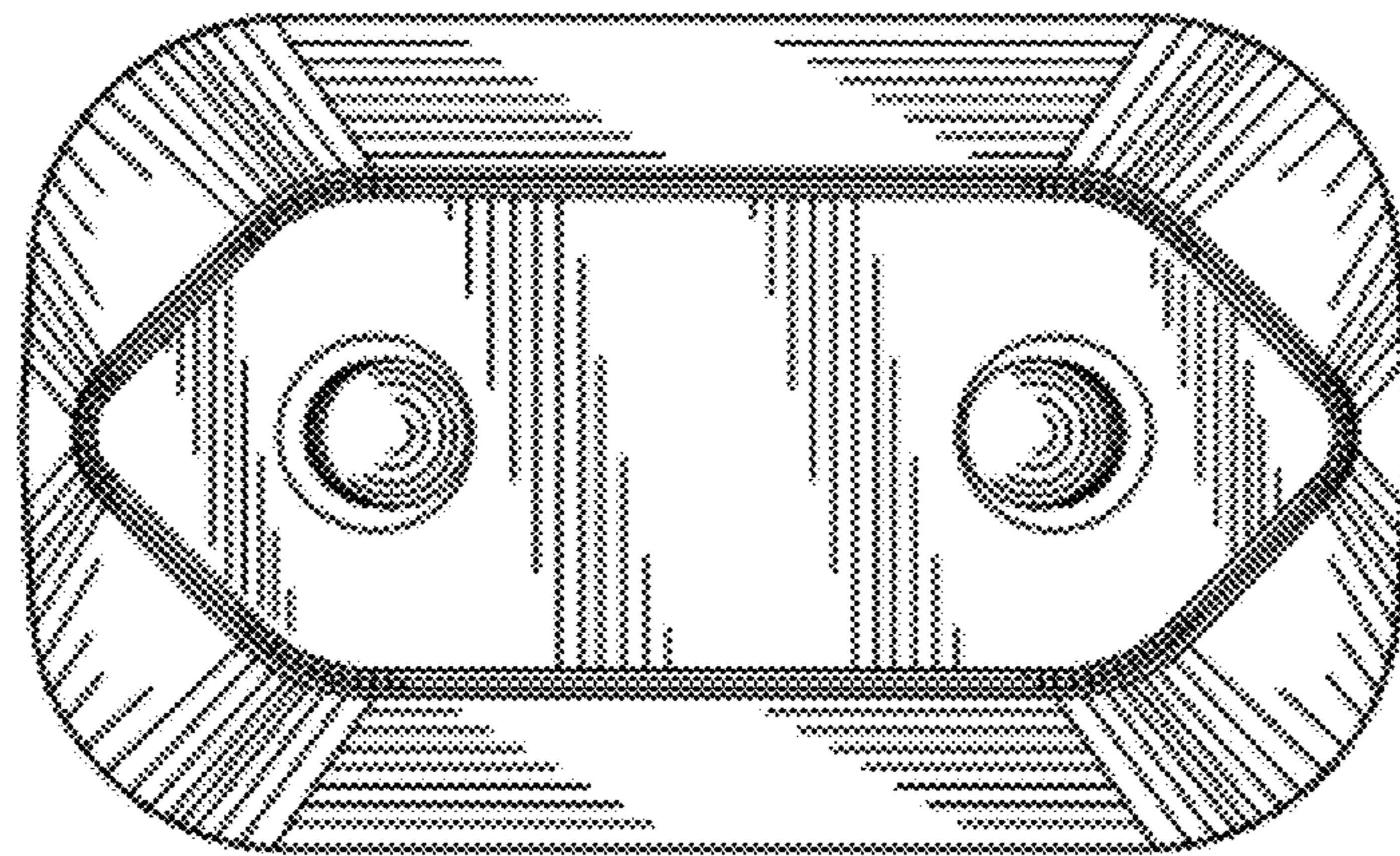


FIG. 8