



US00D676807S

(12) **United States Design Patent**
Ino

(10) **Patent No.:** **US D676,807 S**

(45) **Date of Patent:** **** Feb. 26, 2013**

(54) **CLEANER AND CHARGER UNIT FOR
ELECTRIC SHAVER**

FOREIGN PATENT DOCUMENTS

JP D1331983 4/2008

(75) Inventor: **Tomoaki Ino**, Yokohama (JP)

* cited by examiner

(73) Assignee: **Panasonic Corporation**, Kadoma-shi
(JP)

Primary Examiner — Rosemary K Tarcza

(74) *Attorney, Agent, or Firm* — Marvin A. Motsenbocker;
Mots Law, PLLC

(**) Term: **14 Years**

(21) Appl. No.: **29/423,344**

(57) **CLAIM**

The ornamental design for a cleaner and charger unit for electric shaver, as shown and described.

(22) Filed: **May 31, 2012**

(51) **LOC (9) Cl.** **13-02**

(52) **U.S. Cl.** **D13/108; D28/73**

(58) **Field of Classification Search** D13/106–110,
D13/118–119, 184, 199; D14/251, 253,
D14/432, 434; 320/107–115; D28/44, 73;
134/111, 116, 135, 155, 186
See application file for complete search history.

DESCRIPTION

FIG. 1 is a perspective view of front, right side, and top of a cleaner and charger unit for electric shaver;

FIG. 2 is a perspective view of right side, rear and bottom thereof;

FIG. 3 is a front view thereof;

FIG. 4 is a rear view thereof;

FIG. 5 is a right side view thereof;

FIG. 6 is a left side view thereof;

FIG. 7 is a top plan view thereof;

FIG. 8 is a bottom plan view thereof;

FIG. 9 is a sectional view thereof taken along line 9-9 of FIG. 3, in which the internal components are omitted; and,

FIG. 10 is a reference perspective view showing thereof in use.

The portions of the article in broken lines are shown for illustrative purposes only and form no part of the claimed design.

(56) **References Cited**

U.S. PATENT DOCUMENTS

D449,708	S *	10/2001	Ullmann	D28/44
D506,437	S *	6/2005	Nishizawa	D13/108
D512,530	S *	12/2005	Hartwein et al.	D28/44
D512,962	S *	12/2005	Nishizawa	D13/108
D513,341	S *	12/2005	Ullmann	D28/44
D549,647	S *	8/2007	Nishizawa	D13/108
D577,666	S *	9/2008	Nishizawa	D13/108
D611,652	S *	3/2010	Ullmann	D28/44
D613,684	S *	4/2010	Nishizawa	D13/108
8,242,744	B2 *	8/2012	Matsuoka et al.	320/115
2004/0194326	A1 *	10/2004	Kappes et al.	30/537
2010/0079107	A1 *	4/2010	Silverbrook	320/115
2010/0181965	A1 *	7/2010	Matsuoka et al.	320/115

1 Claim, 10 Drawing Sheets

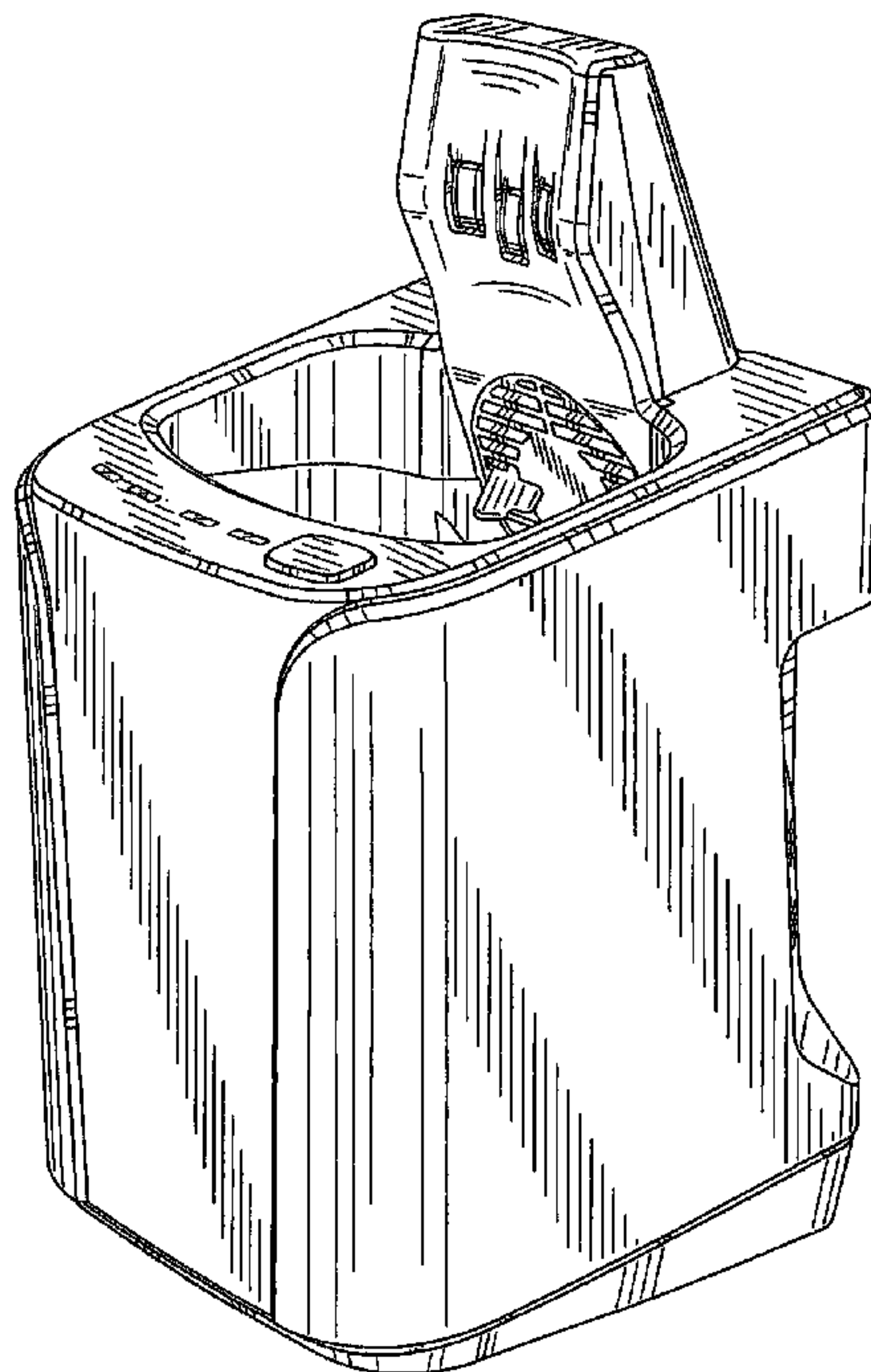


FIG. 1

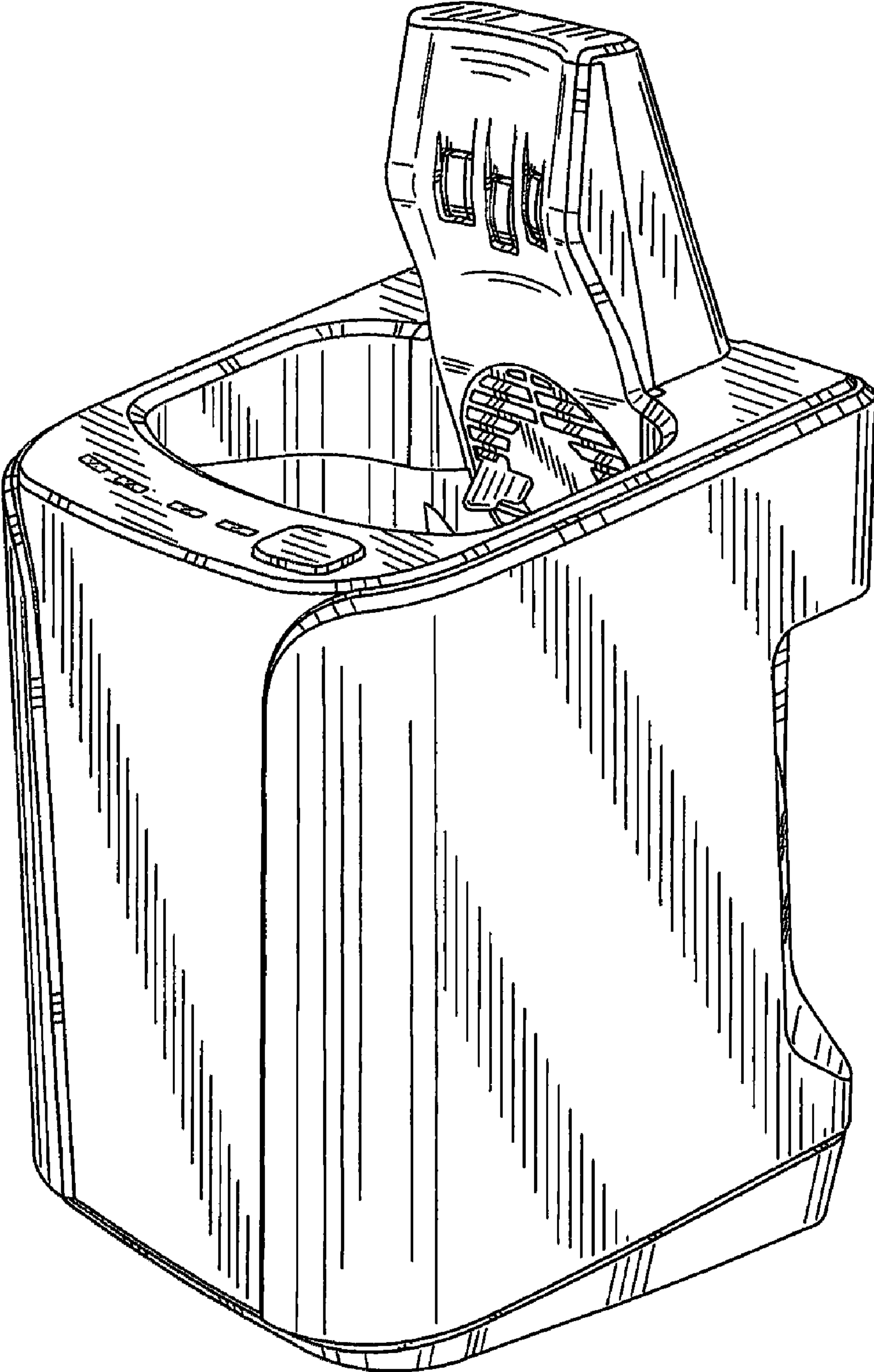


FIG. 2

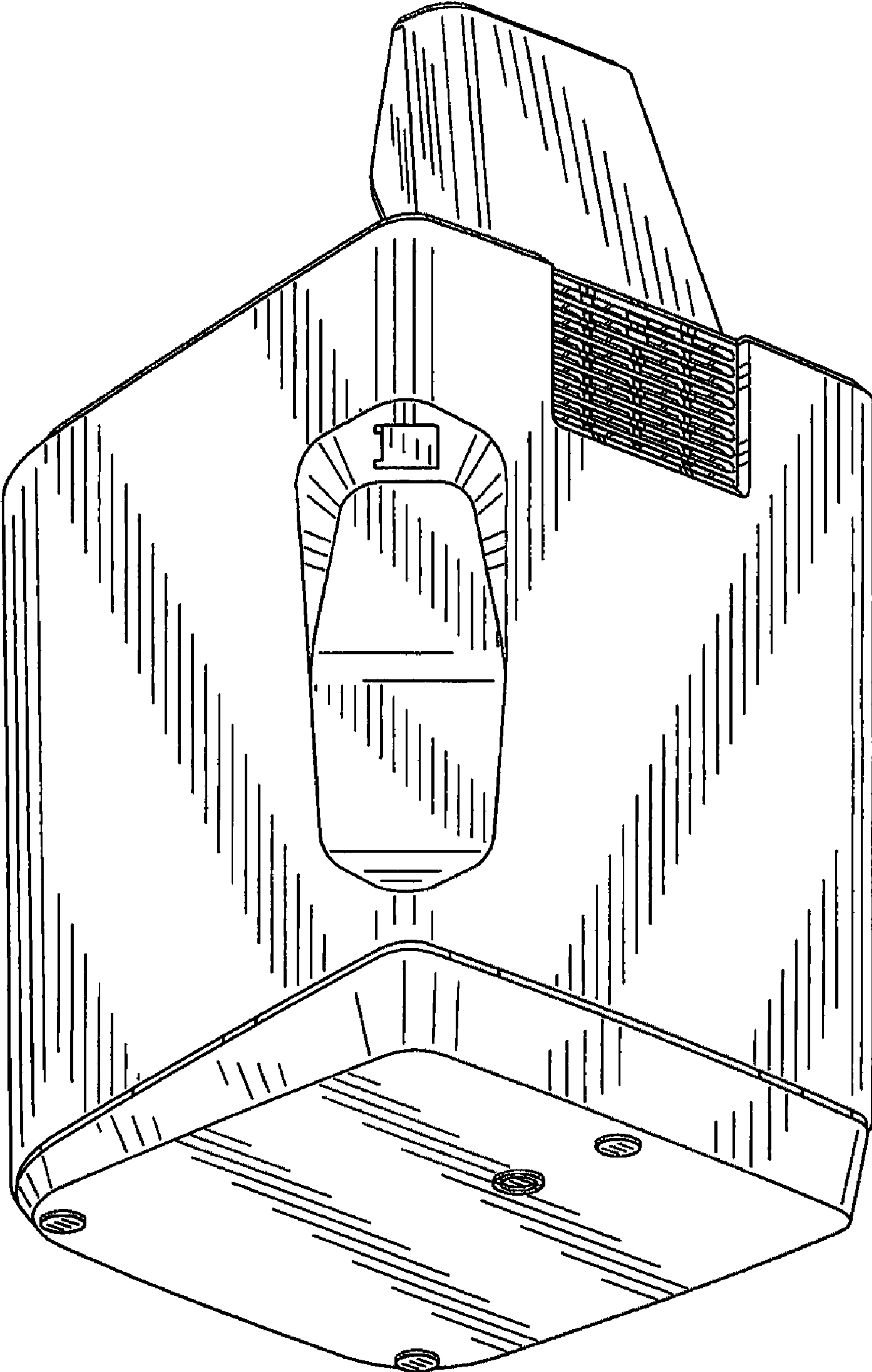


FIG. 3

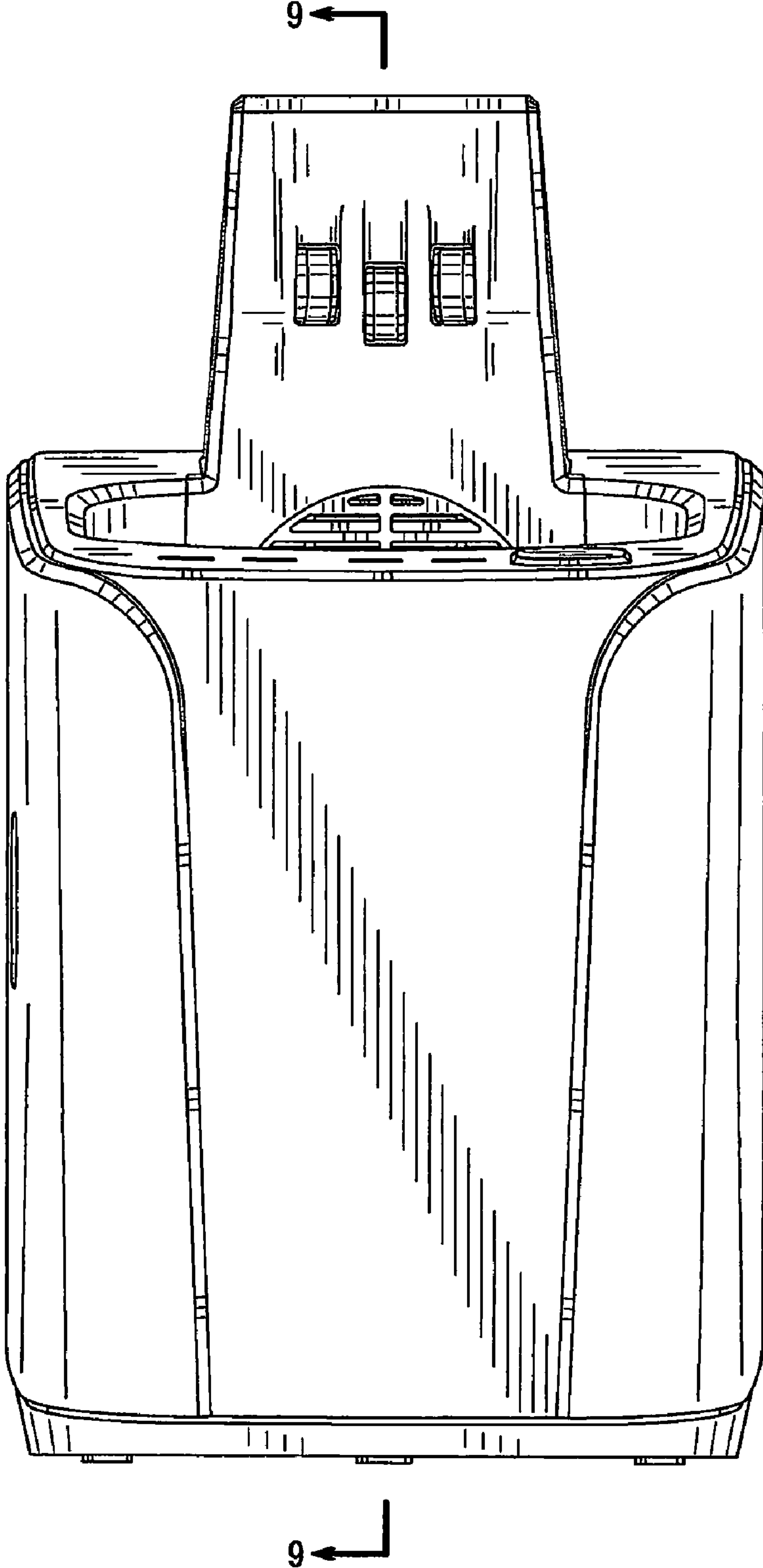


FIG. 4

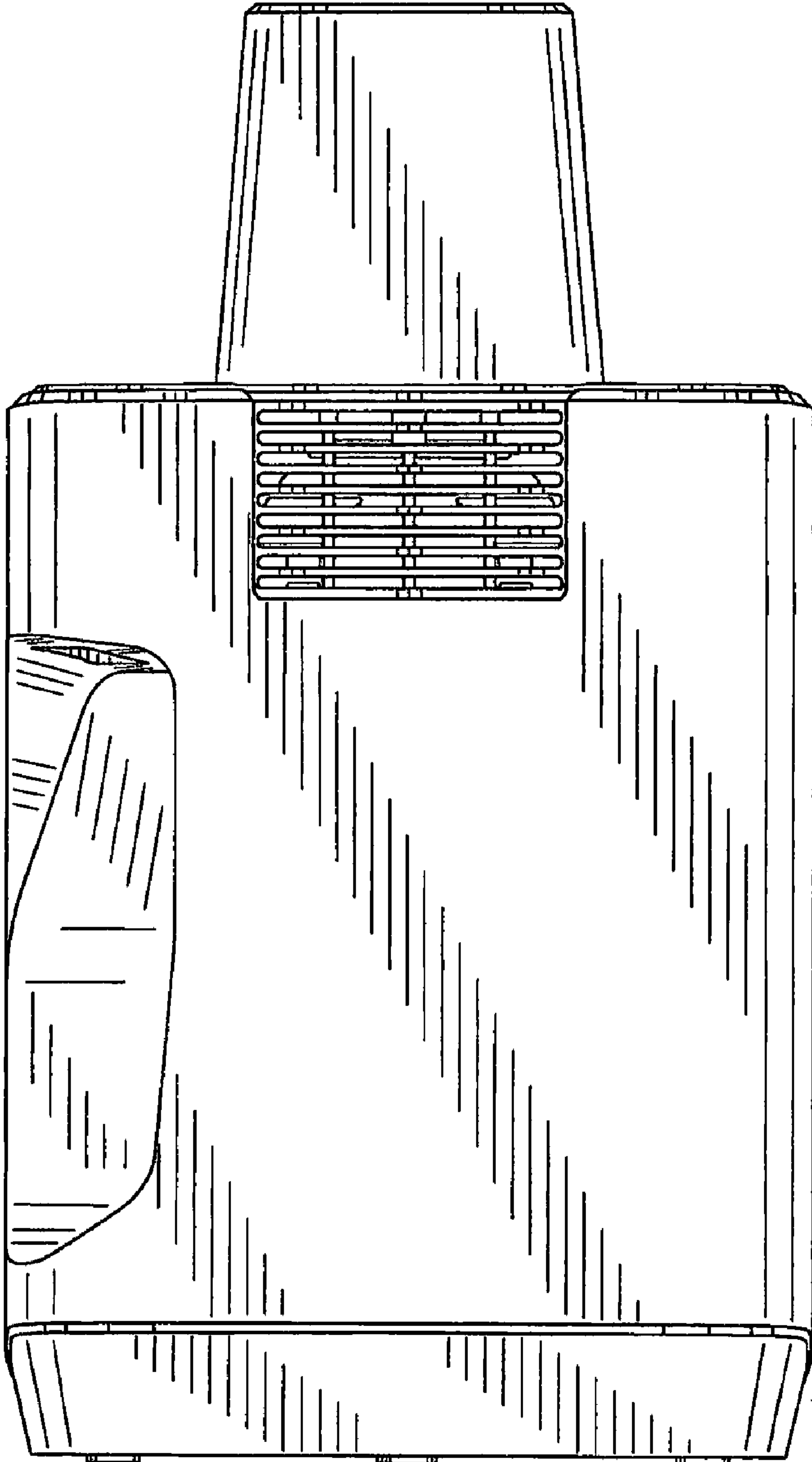


FIG. 5

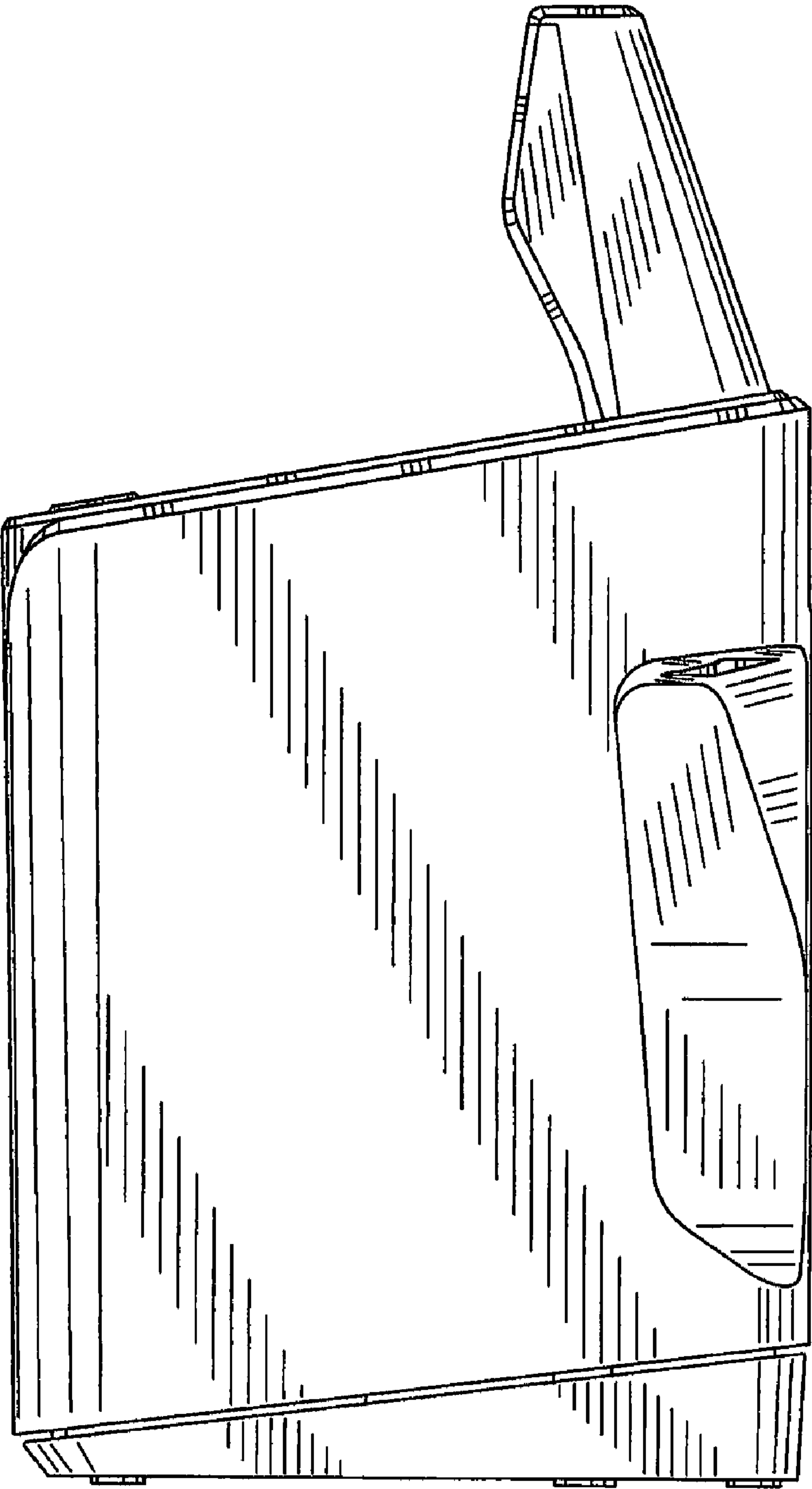


FIG. 6

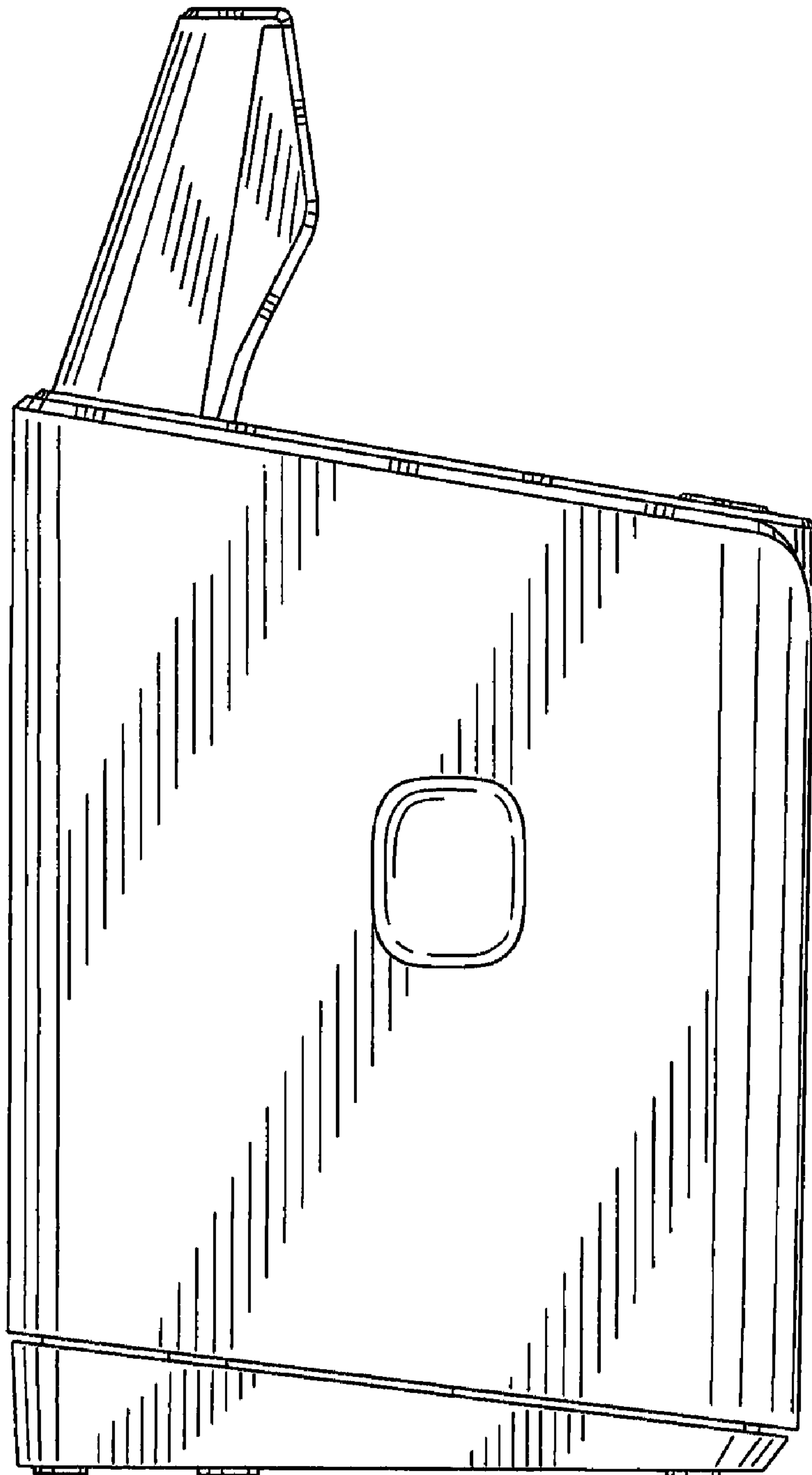


FIG. 7

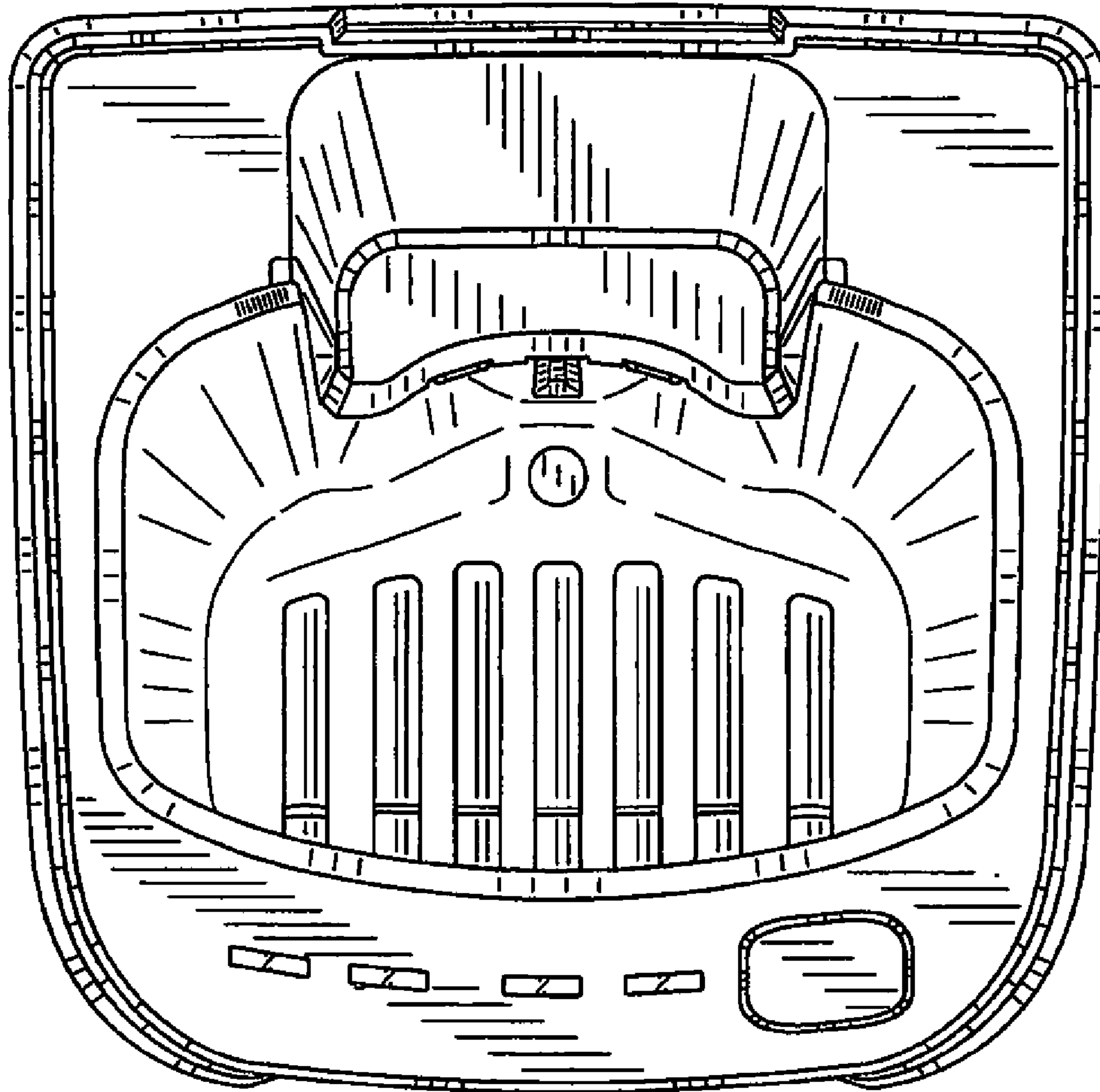


FIG. 8

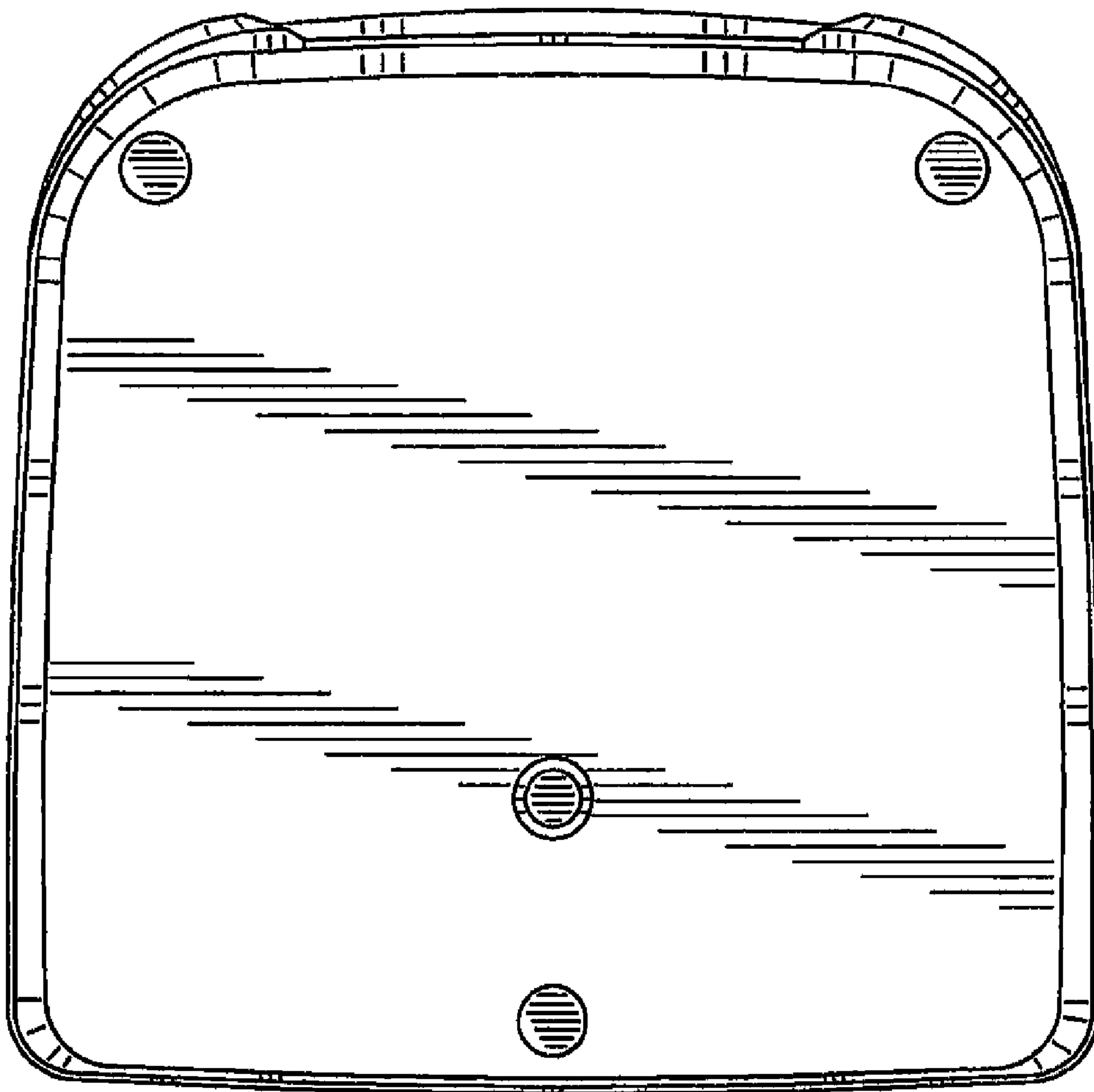


FIG. 9

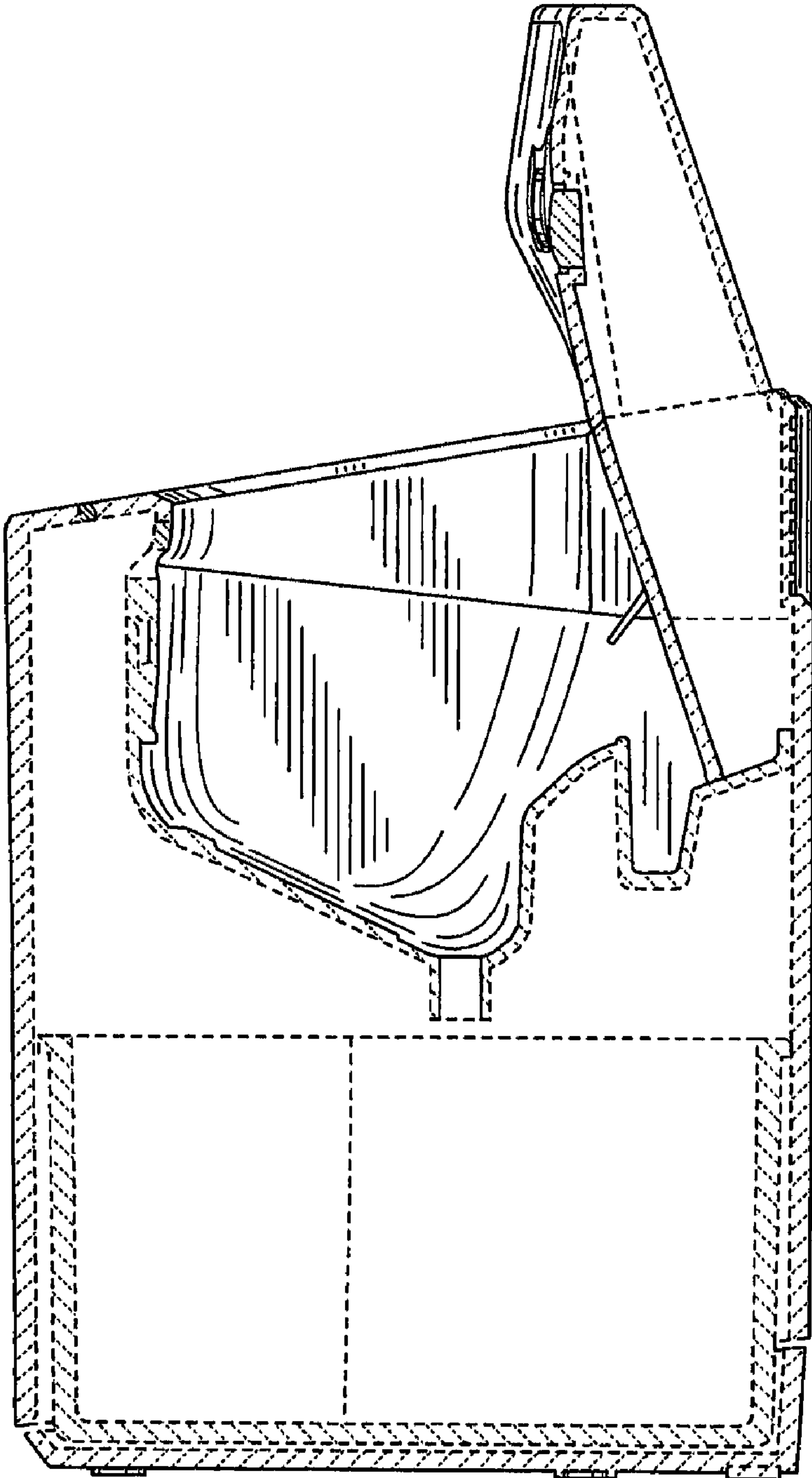


FIG. 10

