



US00D676806S

(12) **United States Design Patent**
Baker et al.

(10) **Patent No.:** **US D676,806 S**
(45) **Date of Patent:** **** Feb. 26, 2013**

(54) **CHARGER**

(75) Inventors: **Kathleen Ann Baker**, New Fairfield, CT (US); **Eric William Olson**, Los Angeles, CA (US); **Eric Gregory Schmid**, Culver City, CA (US)

(73) Assignee: **The Gillette Company**, Boston, MA (US)

(**) Term: **14 Years**

(21) Appl. No.: **29/384,537**

(22) Filed: **Feb. 1, 2011**

(51) **LOC (9) Cl.** **13-02**

(52) **U.S. Cl.** **D13/107**

(58) **Field of Classification Search** D13/107-110, D13/118-119, 184, 199; D14/251, 253, D14/432, 434; 320/107-115

See application file for complete search history.

(56) **References Cited**

U.S. PATENT DOCUMENTS

D344,261	S	*	2/1994	Watanabe	D13/107
D456,004	S	*	4/2002	Lie	D13/107
D512,019	S	*	11/2005	Lie	D13/108
D513,403	S	*	1/2006	Lie	D13/108
D571,722	S	*	6/2008	Kang et al.	D13/107

D573,088	S	*	7/2008	Castellucci et al.	D13/107
D587,190	S	*	2/2009	Hine et al.	D13/107
D598,845	S	*	8/2009	Kingston et al.	D13/107
D599,287	S	*	9/2009	Kingston et al.	D13/107
D629,354	S	*	12/2010	Chang	D13/107
D632,646	S	*	2/2011	Fitch et al.	D13/107
D632,647	S	*	2/2011	Fitch et al.	D13/107
2002/0063550	A1	*	5/2002	Chen et al.	320/110

* cited by examiner

Primary Examiner — Rosemary K Tarcza

(74) *Attorney, Agent, or Firm* — Vladimir Vitenberg; Kevin Johnson

(57) **CLAIM**

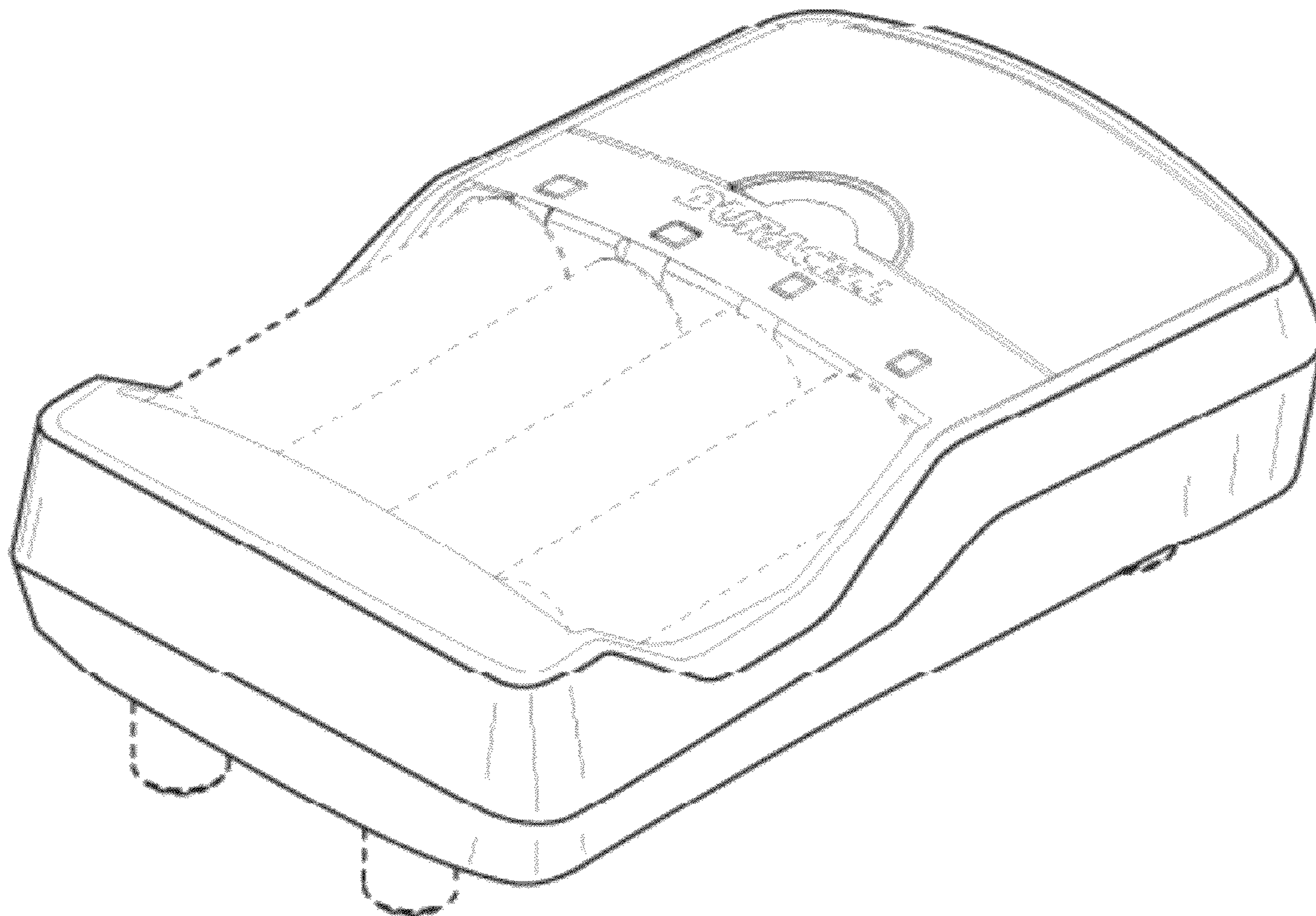
The ornamental design for a charger, as shown and described.

DESCRIPTION

FIG. 1 is a perspective view of an embodiment of a charger, showing our new ornamental design; FIG. 2 is a top view thereof; FIG. 3 is a bottom view thereof; FIG. 4 is a front view thereof; FIG. 5 is a back view thereof; FIG. 6 is a left-side view thereof; and, FIG. 7 is a right-side view thereof.

The broken lines shown in the drawings are included for the purpose of illustrating environmental structure and form no part of the claimed design.

1 Claim, 3 Drawing Sheets



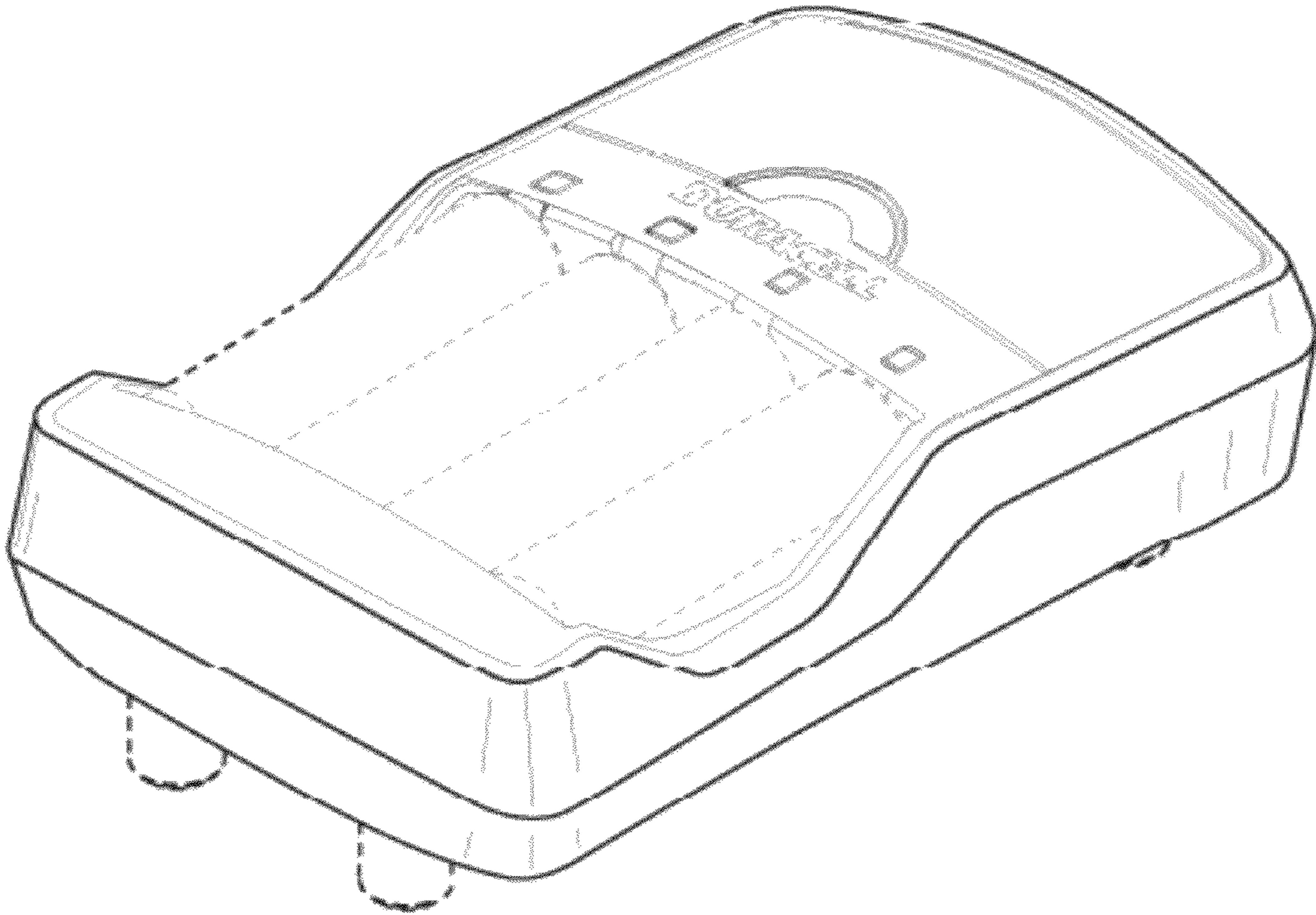


Fig. 1

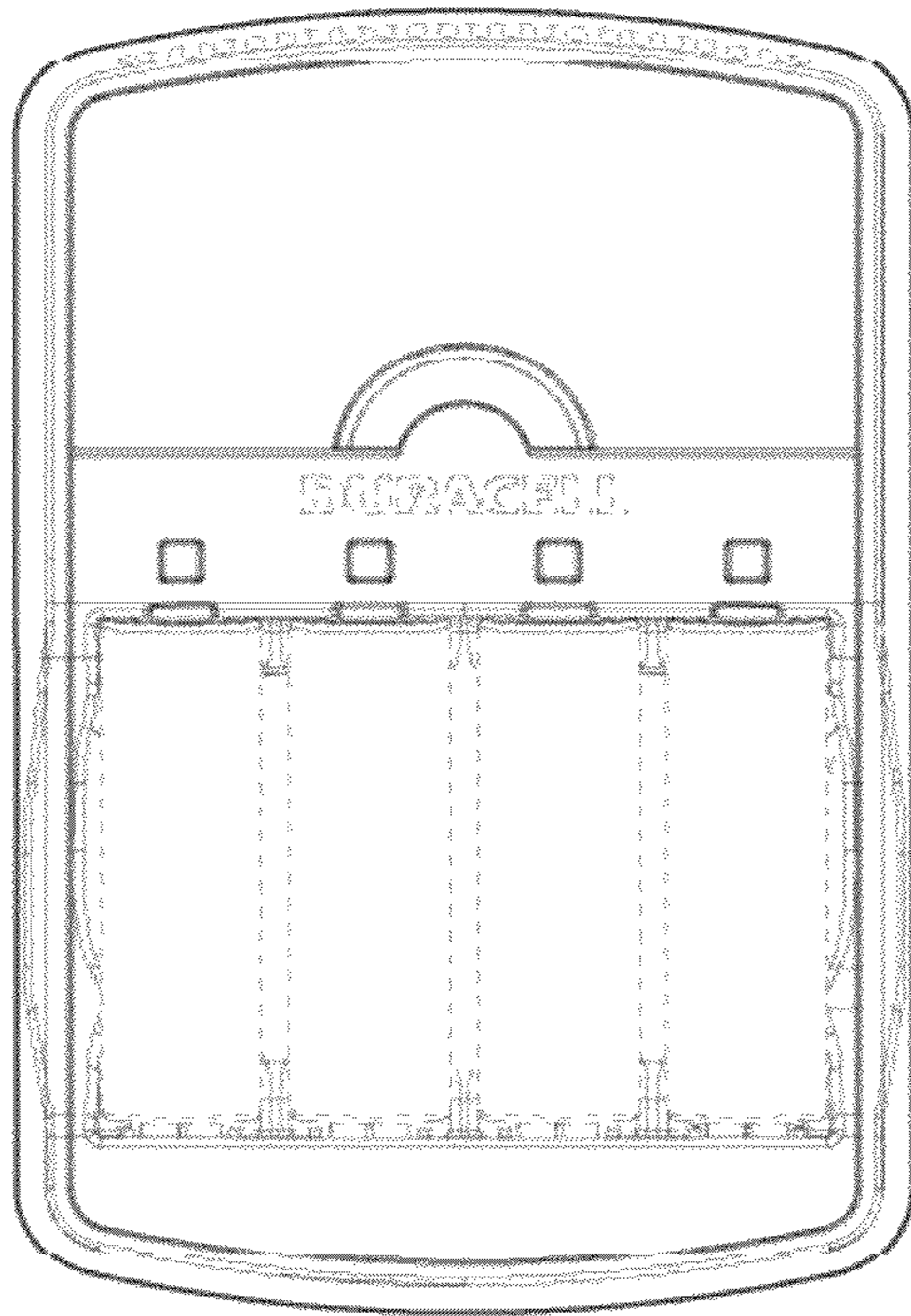


Fig. 2

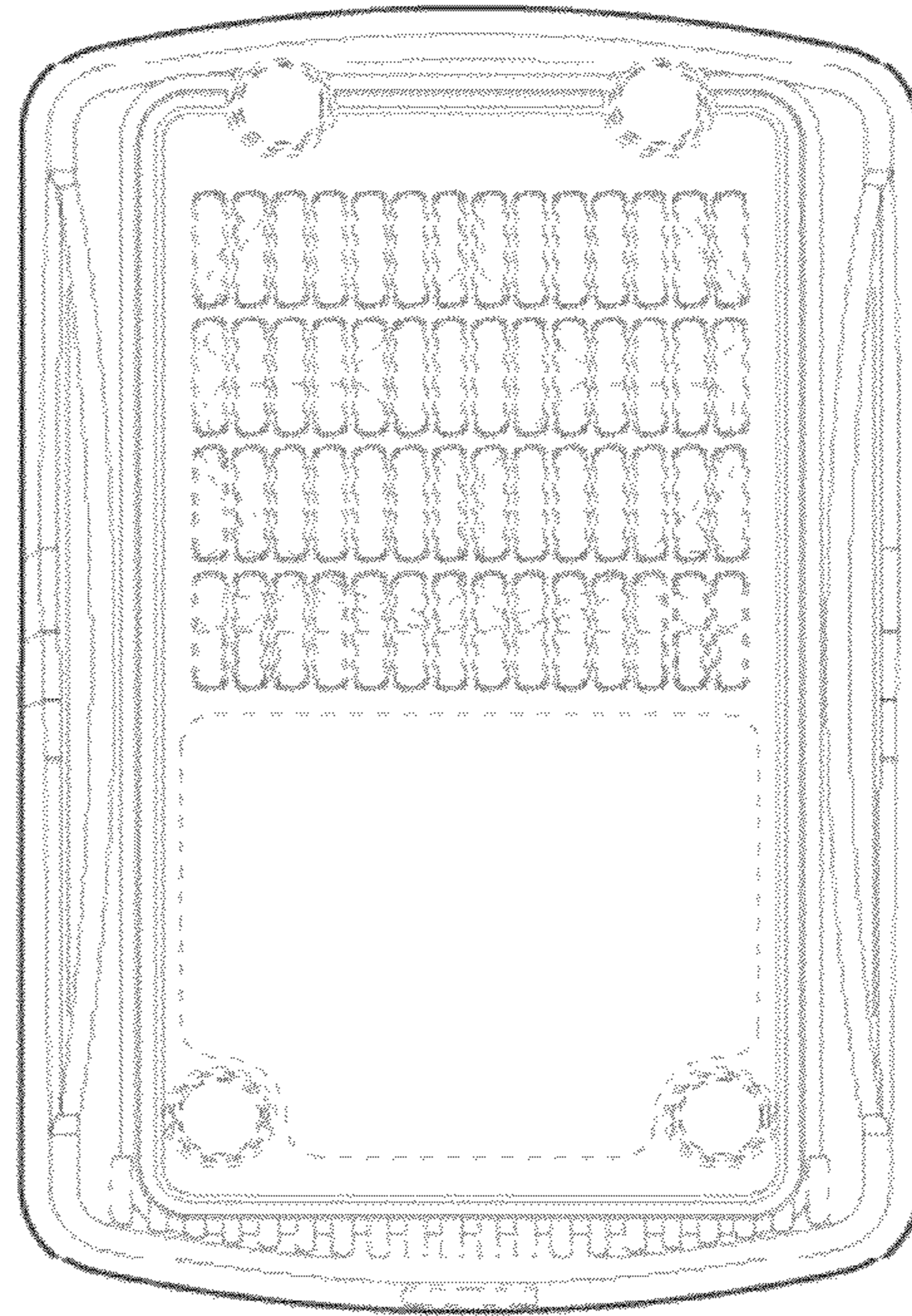


Fig. 3

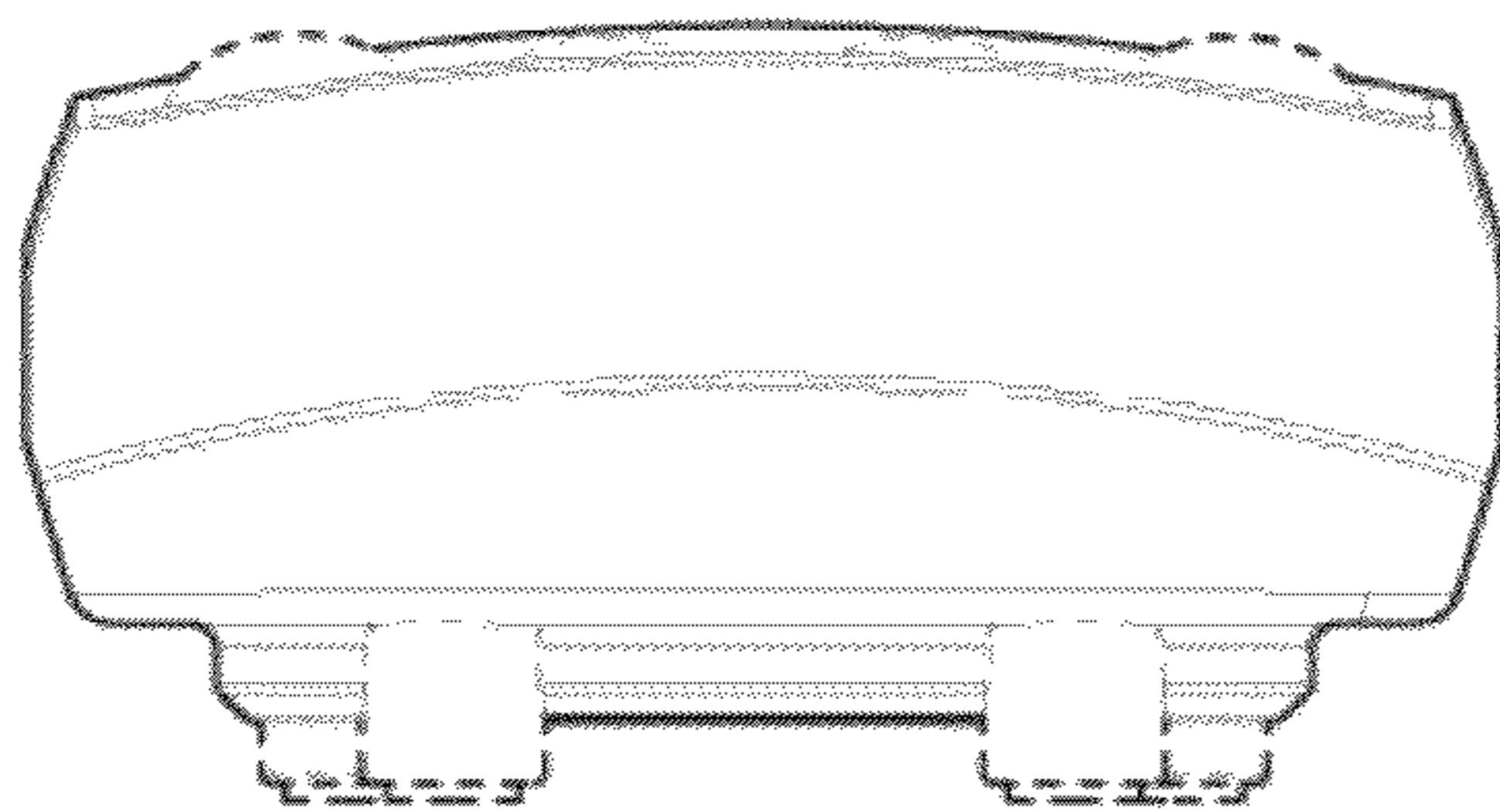


Fig. 4

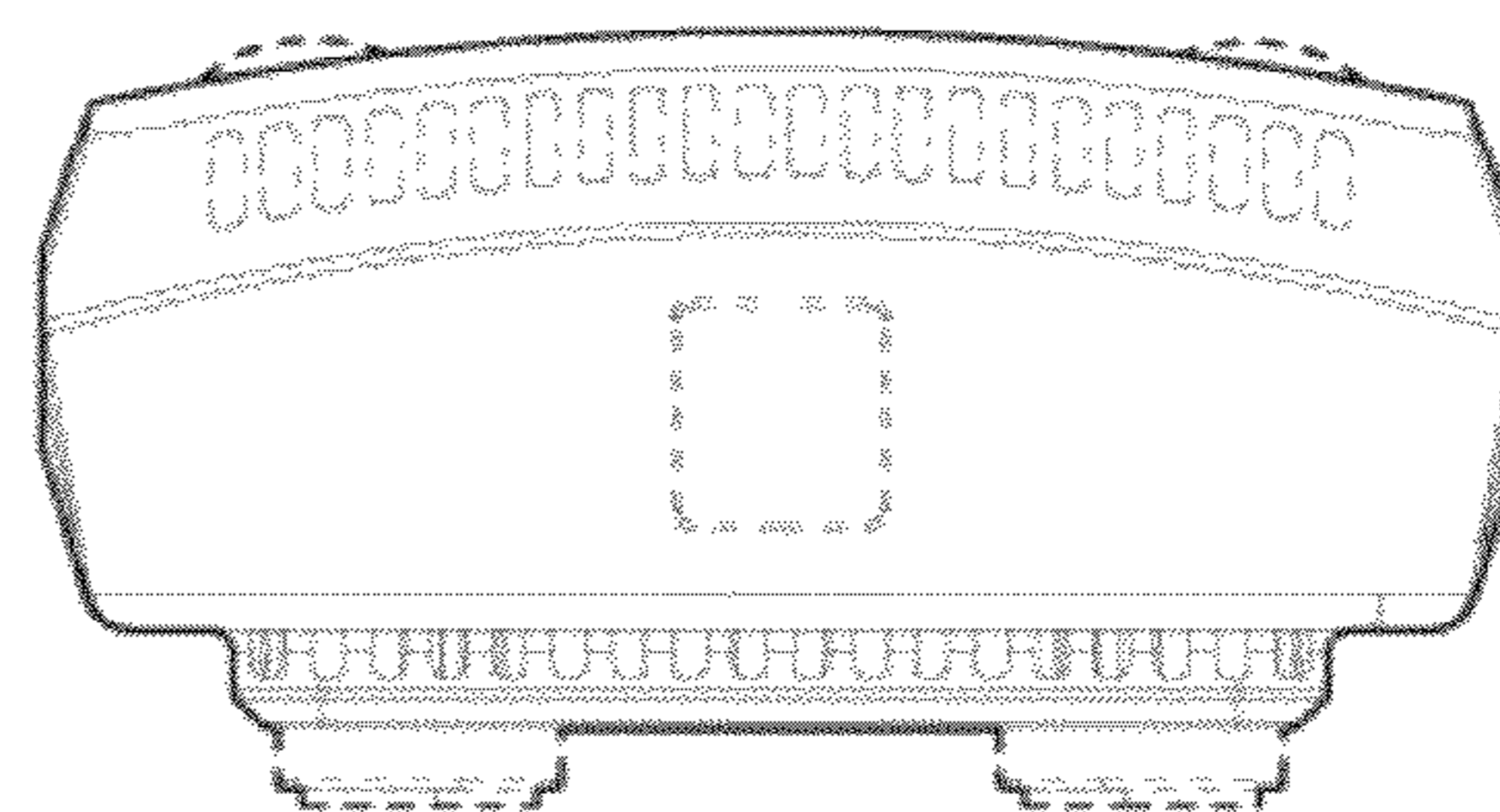


Fig. 5

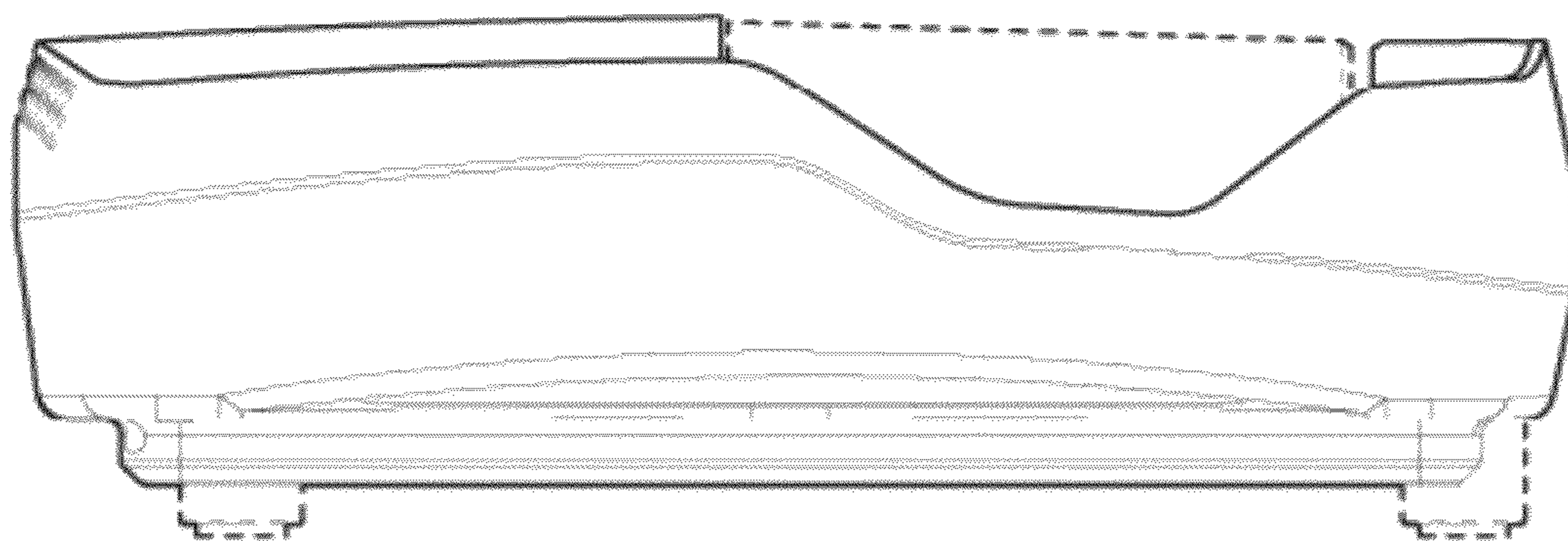


Fig. 6

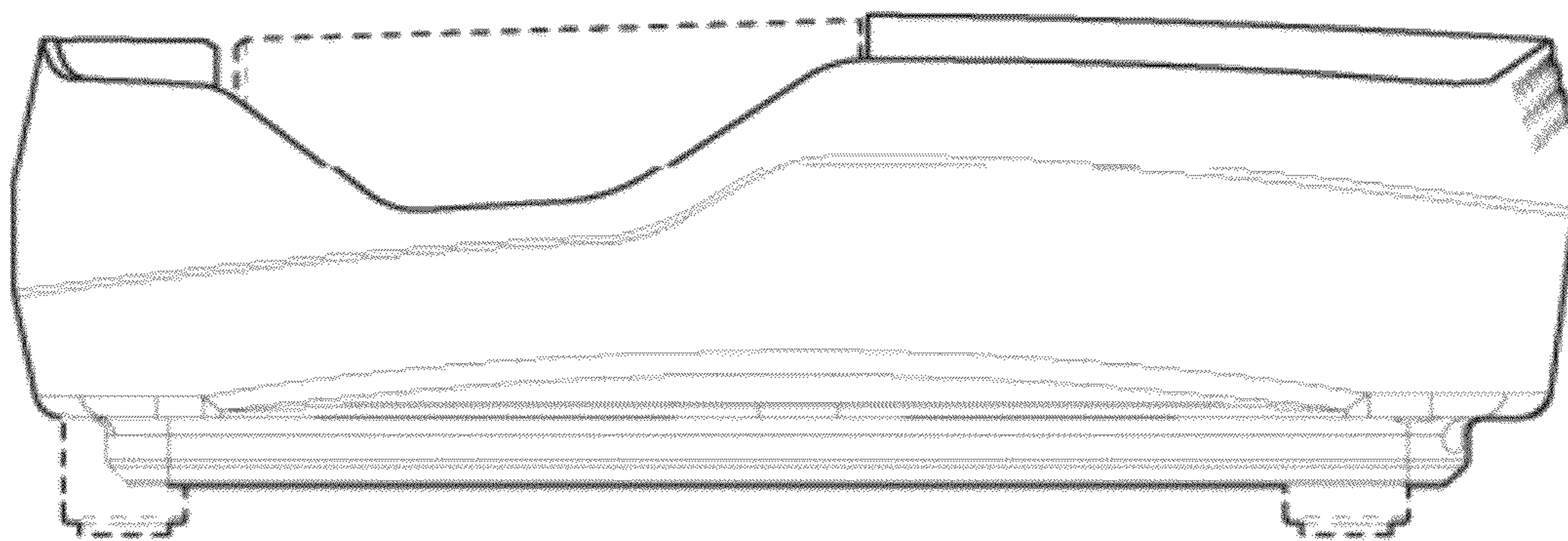


Fig. 7