



US00D676801S

(12) **United States Design Patent**
Scheifele

(10) **Patent No.:** **US D676,801 S**

(45) **Date of Patent:** **** Feb. 26, 2013**

(54) **TIRE TREAD**

(75) Inventor: **Kevin E. Scheifele**, Atwater, OH (US)

(73) Assignee: **Bridgestone Americas Tire Operations, LLC**, Nashville, TN (US)

(**) Term: **14 Years**

(21) Appl. No.: **29/391,998**

(22) Filed: **May 16, 2011**

(51) **LOC (9) Cl.** **12-15**

(52) **U.S. Cl.** **D12/587**

(58) **Field of Classification Search** D12/505-532,
D12/596, 594; 152/209.1-209.28

See application file for complete search history.

D226,790 S	4/1973	Blankenship
D226,970 S	4/1973	Blankenship
D236,972 S	9/1975	Bierbusse et al.
D237,066 S	10/1975	Smajd et al.
D239,103 S	3/1976	Candiliotis
D239,931 S	5/1976	Duncan
D243,941 S	4/1977	Koeppel
D244,181 S	5/1977	Maeda et al.
D250,642 S	12/1978	Lopp et al.
D255,229 S	6/1980	Major et al.
D259,112 S	5/1981	Candiliotis
D261,635 S	11/1981	Skerl
D262,363 S	12/1981	Flint et al.
D263,129 S	2/1982	Loeffler et al.
D265,185 S	6/1982	Grohmann et al.
D265,186 S	6/1982	Karlyn et al.
D265,303 S	7/1982	Yodoyama
D265,393 S	7/1982	Hutz
D265,395 S	7/1982	Hutz
4,416,317 A	11/1983	Caretta
D274,612 S	7/1984	Cerio et al.
D277,951 S	3/1985	Molnar et al.

(Continued)

(56) **References Cited**

U.S. PATENT DOCUMENTS

D196,897 S	11/1963	MacWherter
D201,170 S	5/1965	Vukan
D202,252 S	9/1965	Rahn
D202,970 S	11/1965	Rahn
D205,390 S	7/1966	Wittenmyer
D206,703 S	1/1967	Hawkinson
D206,743 S	1/1967	Vukan
D206,744 S	1/1967	Alexis
D206,745 S	1/1967	Vukan
D206,846 S	1/1967	MacWherter
D207,153 S	3/1967	Wittenmyer
D207,154 S	3/1967	Wittenmyer
D207,155 S	3/1967	Wittenmyer
D207,156 S	3/1967	Wittenmyer
D207,157 S	3/1967	Wittenmyer
D207,382 S	4/1967	Lull
D208,135 S	7/1967	Antonson
D208,347 S	8/1967	Wittenmyer
D211,771 S	7/1968	Vohs
D212,271 S	9/1968	Duncan
D214,229 S	5/1969	Allen
D215,573 S	10/1969	Cvengros
D215,992 S	11/1969	Wittenmyer
D216,354 S	12/1969	Cvengros et al.
D217,527 S	5/1970	Fetty
D219,090 S	10/1970	Fetty
D219,942 S	2/1971	Smithkey, Jr. et al.
D221,918 S	9/1971	Fetty

Primary Examiner — George D Kirschbaum

(74) *Attorney, Agent, or Firm* — Shaun J. Fox

(57) **CLAIM**

The ornamental design for a tire tread, as shown and described.

DESCRIPTION

FIG. 1 is a side perspective view of a tire tread showing my new design, it being understood that the tread pattern is repeated throughout the circumference of the tire tread, the opposite side being the same as that shown;

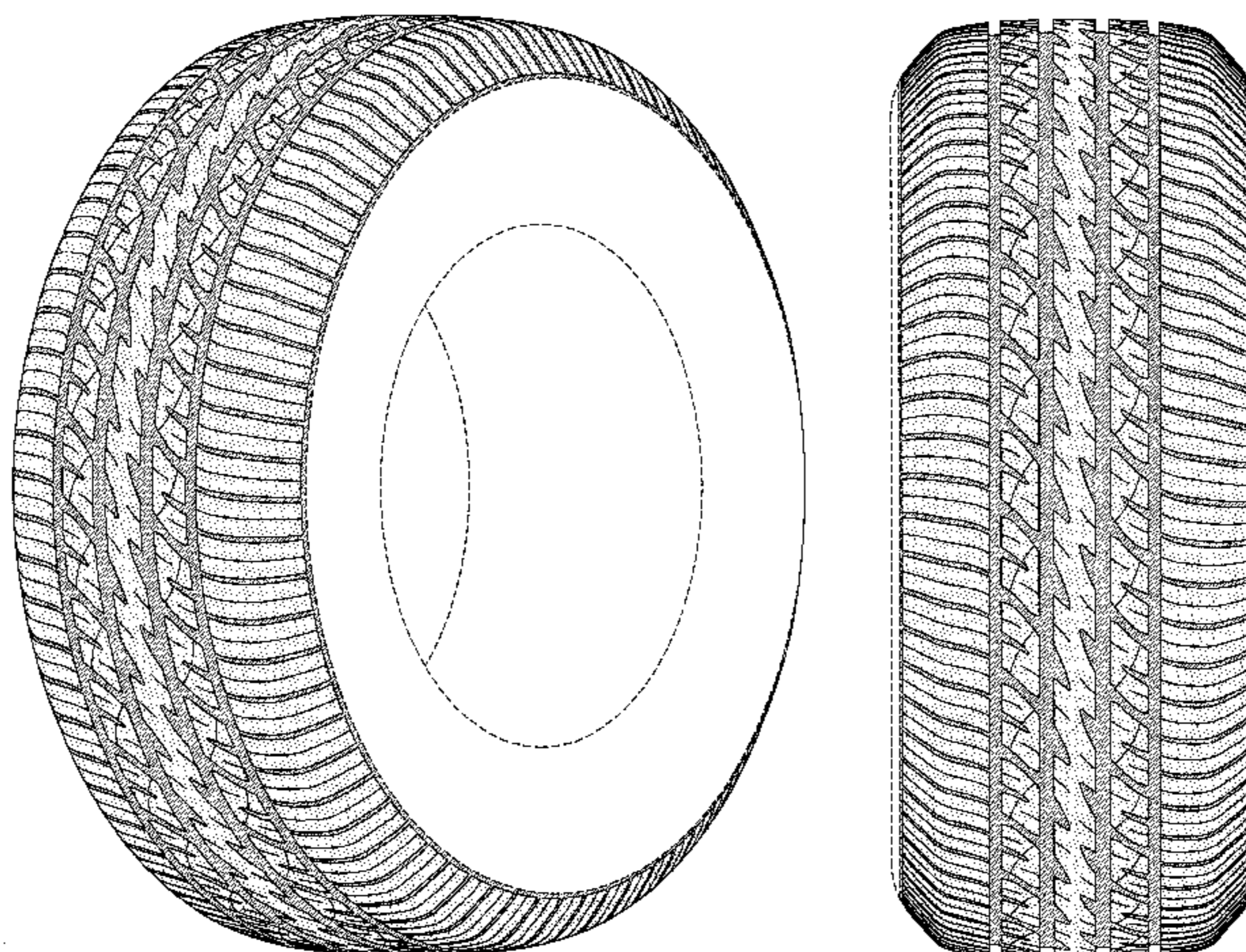
FIG. 2 is a front elevational view thereof, the opposite side being identical thereto;

FIG. 3 is a side elevational view of the right side thereof, the opposite side being identical thereto; and,

FIG. 4 is an enlarged fragmentary front elevational view thereof.

The broken lines defining the sidewall, inner bead, and the peripheral boundary between the claimed tire tread and the sidewall depict environmental subject matter that forms no part of the claimed design.

1 Claim, 4 Drawing Sheets



US D676,801 S

Page 2

U.S. PATENT DOCUMENTS

D278,135 S	3/1985	Menster et al.	D398,890 S	9/1998	Harpes et al.
D278,219 S	4/1985	Gray	D400,135 S	10/1998	Blankship et al.
D279,087 S	6/1985	Larson et al.	D400,831 S	11/1998	Blankship et al.
D280,091 S	8/1985	Fetty et al.	D405,731 S	2/1999	Custons, Jr. et al.
D282,457 S	2/1986	Larson	D409,532 S	5/1999	Heinen
D283,212 S	4/1986	Martini et al.	D415,451 S	10/1999	Weber
D283,214 S	4/1986	Sladky	D421,943 S	3/2000	Fierro et al.
4,609,022 A	9/1986	Fetty et al.	D422,246 S	4/2000	Fierro et al.
D286,274 S	10/1986	Davis et al.	D423,423 S	4/2000	Guspodin et al.
4,632,166 A	12/1986	Fontaine et al.	D430,082 S	8/2000	Blankenship et al.
D287,840 S	1/1987	Ono	D430,829 S	9/2000	Ratliff et al.
D288,547 S	3/1987	Grass	D434,706 S	12/2000	Ratliff et al.
D288,916 S	3/1987	Wallet	D437,809 S	2/2001	Allison
D294,135 S	2/1988	Wallet	D440,529 S	4/2001	Lassan et al.
D295,036 S	4/1988	Wallet et al.	D442,526 S	5/2001	Lassan et al.
D295,507 S	5/1988	Baus et al.	D444,431 S	7/2001	Graas
D299,330 S	1/1989	Wallet	D444,739 S	7/2001	Harris et al.
D299,331 S	1/1989	Wallet	D445,071 S	7/2001	Brightwell et al.
D302,669 S	8/1989	Graas	D445,369 S	7/2001	Dumigan et al.
D302,961 S	8/1989	Gray	D445,370 S	7/2001	Allison
D304,166 S	10/1989	Graas	D445,371 S	7/2001	Allison
D304,562 S	11/1989	Guspodin	D445,380 S	7/2001	Fantanzo et al.
D305,525 S	1/1990	Idei	D445,731 S	7/2001	Fantanzo et al.
D306,844 S	3/1990	Wallet	D446,172 S	8/2001	Regallis
D307,881 S	5/1990	Miller et al.	D450,270 S	11/2001	Baker
D312,231 S	11/1990	Guspodin	D453,730 S	2/2002	Weber
D312,232 S	11/1990	Wallet et al.	D455,394 S	4/2002	Lassan et al.
D313,581 S	1/1991	Goto et al.	D456,768 S	5/2002	Fantanzo
D315,127 S	3/1991	White et al.	D458,582 S	6/2002	Rodicq et al.
D316,690 S	5/1991	Tagashira	D460,406 S	7/2002	Guspodin
D318,830 S	8/1991	Manestar	D462,315 S	9/2002	Van Fossen et al.
D319,993 S	9/1991	Croley et al.	D475,009 S	5/2003	Ochi
D322,951 S	1/1992	Robinson	D475,344 S	6/2003	Tsubono
D323,311 S	1/1992	Yamashita	6,923,232 B1	8/2005	Welbes et al.
D328,268 S	7/1992	Constant	D512,683 S	12/2005	Dumigan
D328,271 S	7/1992	Guspodin et al.	7,028,733 B2	4/2006	Ratliff
D333,285 S	2/1993	Hinrichsen et al.	7,207,364 B2	4/2007	Hildebrand
D338,179 S	8/1993	Miller et al.	D549,155 S	8/2007	Umstot et al.
D339,559 S	9/1993	Guspodin et al.	D558,135 S	12/2007	Miyasaka
D344,698 S	3/1994	Shinohara et al.	D560,599 S	1/2008	Dixon et al.
D345,131 S	3/1994	Baus et al.	D561,088 S	2/2008	Dumigan et al.
D345,723 S	4/1994	Guspodin	D572,187 S	7/2008	Himuro
D345,951 S	4/1994	Guspodin et al.	D579,865 S	11/2008	Matsuyama et al.
D348,239 S	6/1994	Baus et al.	D579,866 S	11/2008	Ohkubo
D350,096 S	8/1994	Brightwell	D584,680 S	1/2009	Hutz
D350,098 S	8/1994	Attinello et al.	D585,362 S	1/2009	Honda
D355,152 S	2/1995	Brightwell et al.	D592,128 S	5/2009	Lee
D362,213 S	9/1995	McKisson	D593,636 S	6/2009	Hymas
D364,594 S	11/1995	Krupa et al.	D593,936 S	6/2009	Maxwell
D365,056 S	12/1995	McKisson	D604,231 S	11/2009	Hada
D365,058 S	12/1995	McKisson	D604,692 S	11/2009	Ebiko et al.
D365,065 S	12/1995	Galante et al.	D607,812 S	1/2010	Dixon et al.
D367,455 S	2/1996	Herberger et al.	D610,969 S	3/2010	Dixon et al.
D373,556 S	9/1996	Attinello et al.	D611,892 S	3/2010	Huffman
D379,337 S	5/1997	Guspodin et al.	D613,679 S	4/2010	Umstot et al.
D380,714 S	7/1997	Attinello et al.	D614,119 S	4/2010	Umstot et al.
D381,000 S	7/1997	White	D614,199 S	4/2010	Barcheck et al.
D384,313 S	9/1997	Harden, Jr.	D619,958 S	7/2010	Maxwell
D384,618 S	10/1997	Guspodin	D621,779 S	8/2010	Yonetsu
D386,453 S	11/1997	Guspodin	D621,799 S	8/2010	Hussell et al.
D388,035 S	12/1997	Heinen et al.	2008/0216929 A1 *	9/2008	Mizutani 152/209.1
D388,372 S	12/1997	Brown et al.	2010/0236679 A1 *	9/2010	Miyazaki 152/209.15
D397,653 S	9/1998	Heinen			

* cited by examiner

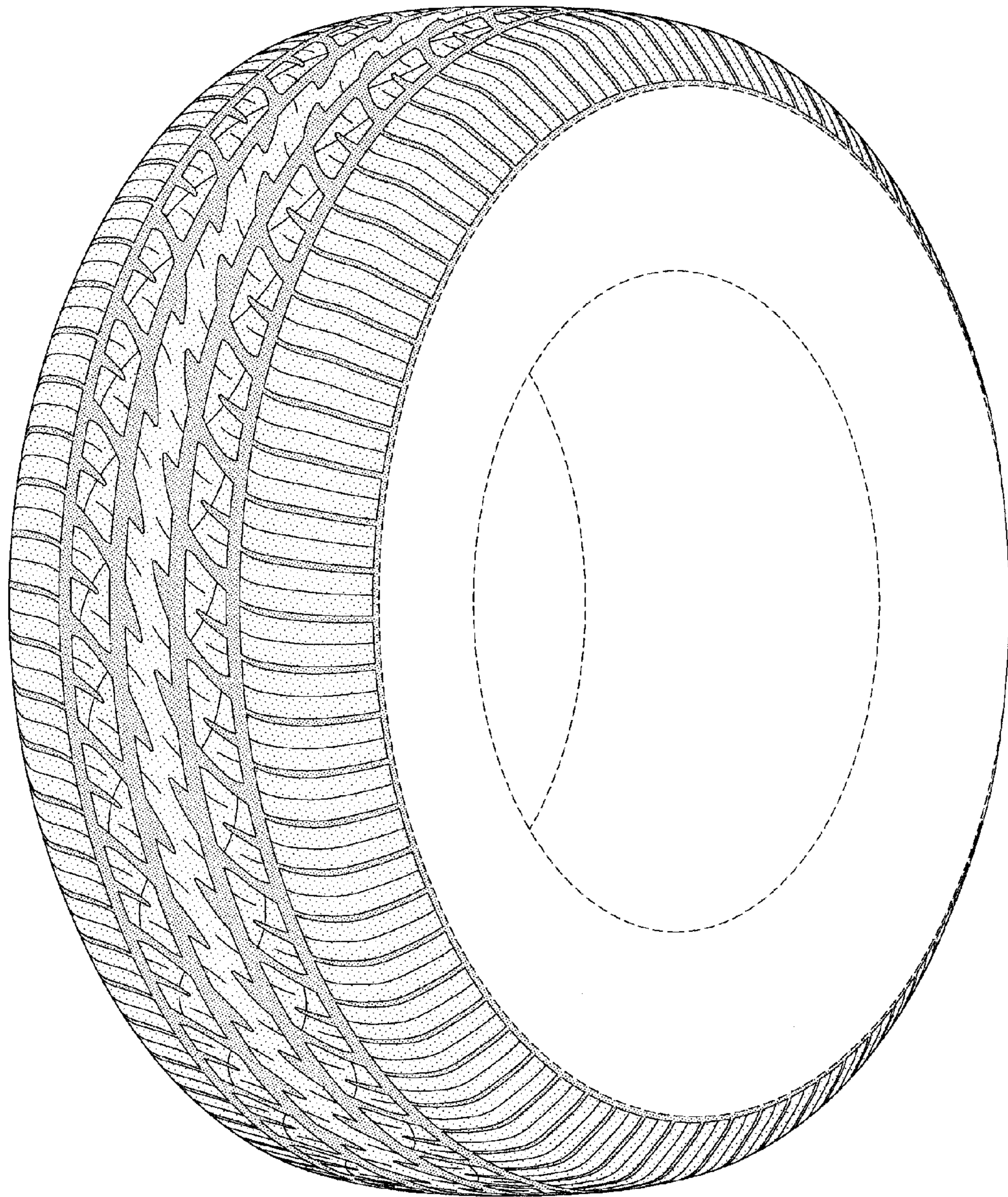


FIG-1

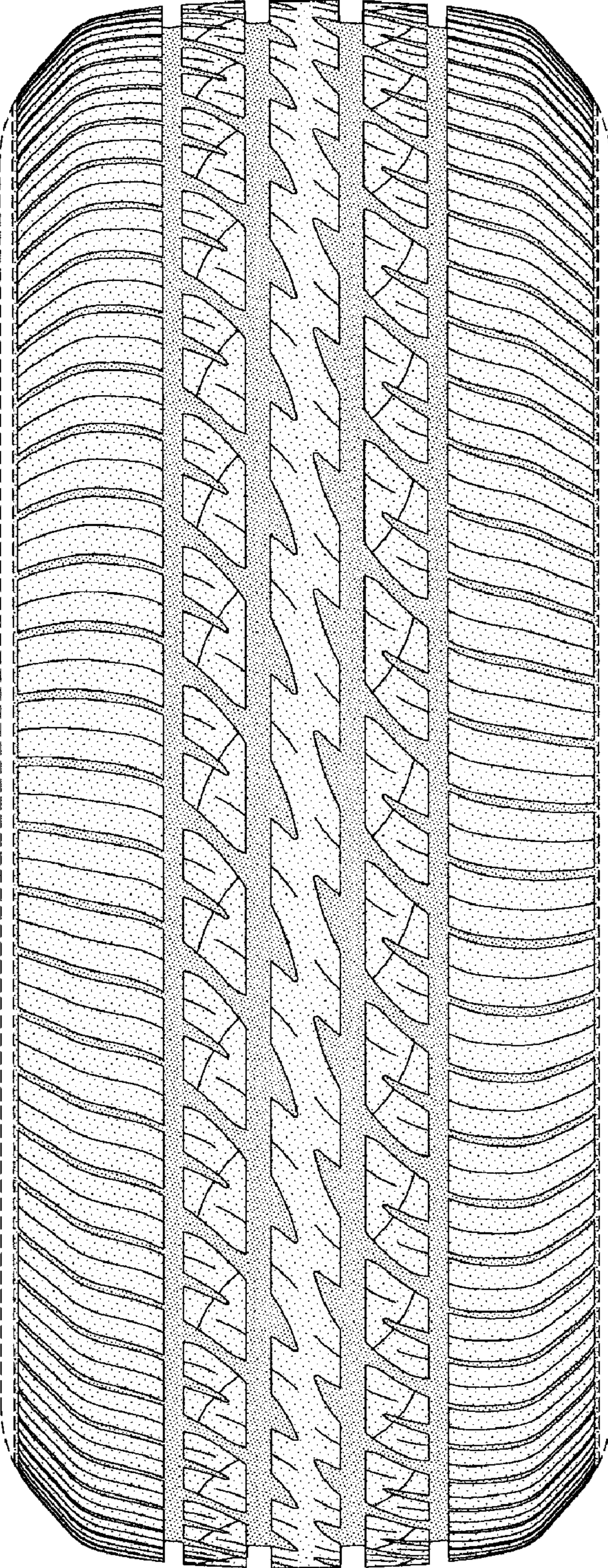


FIG-2

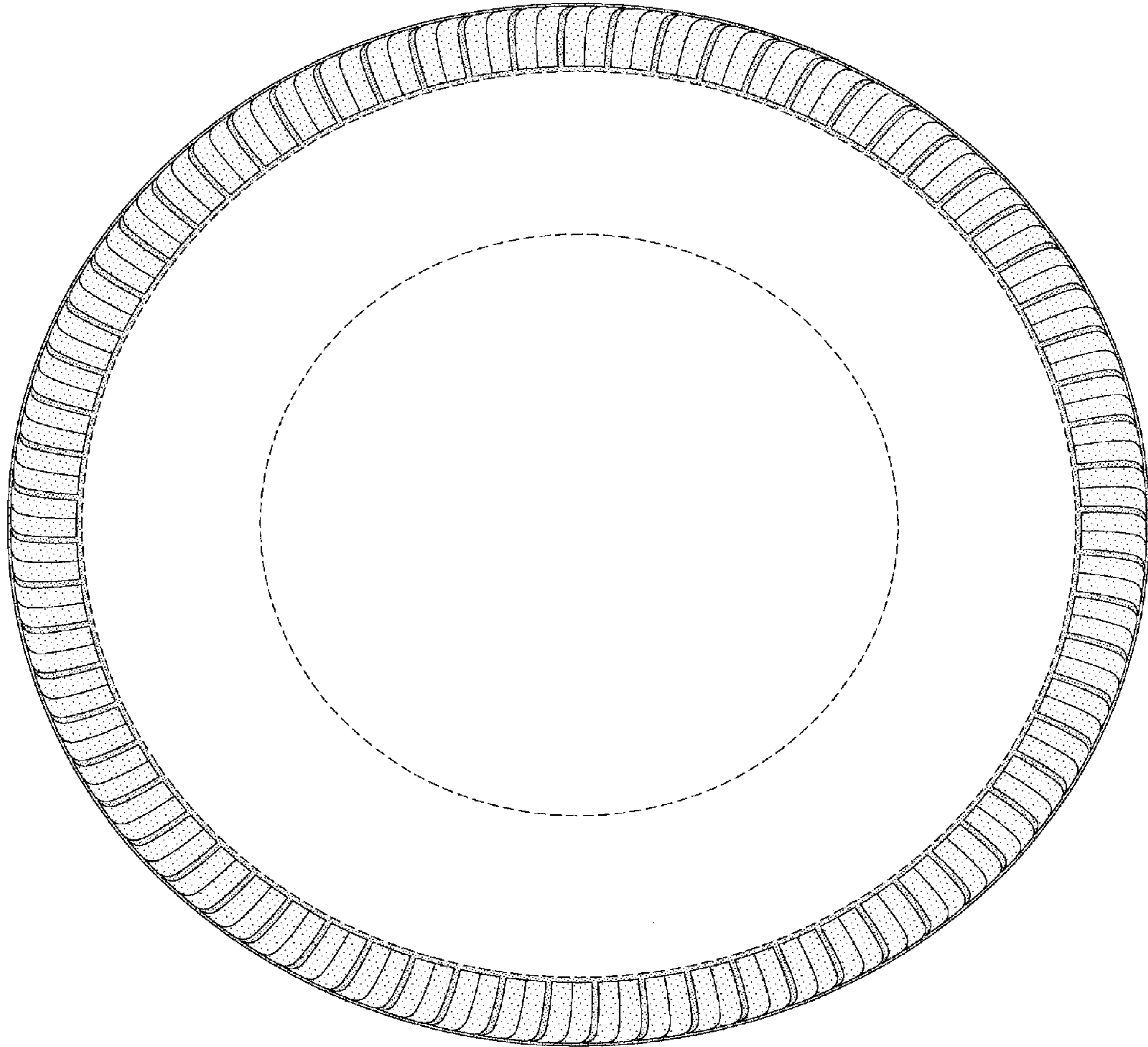


FIG-3

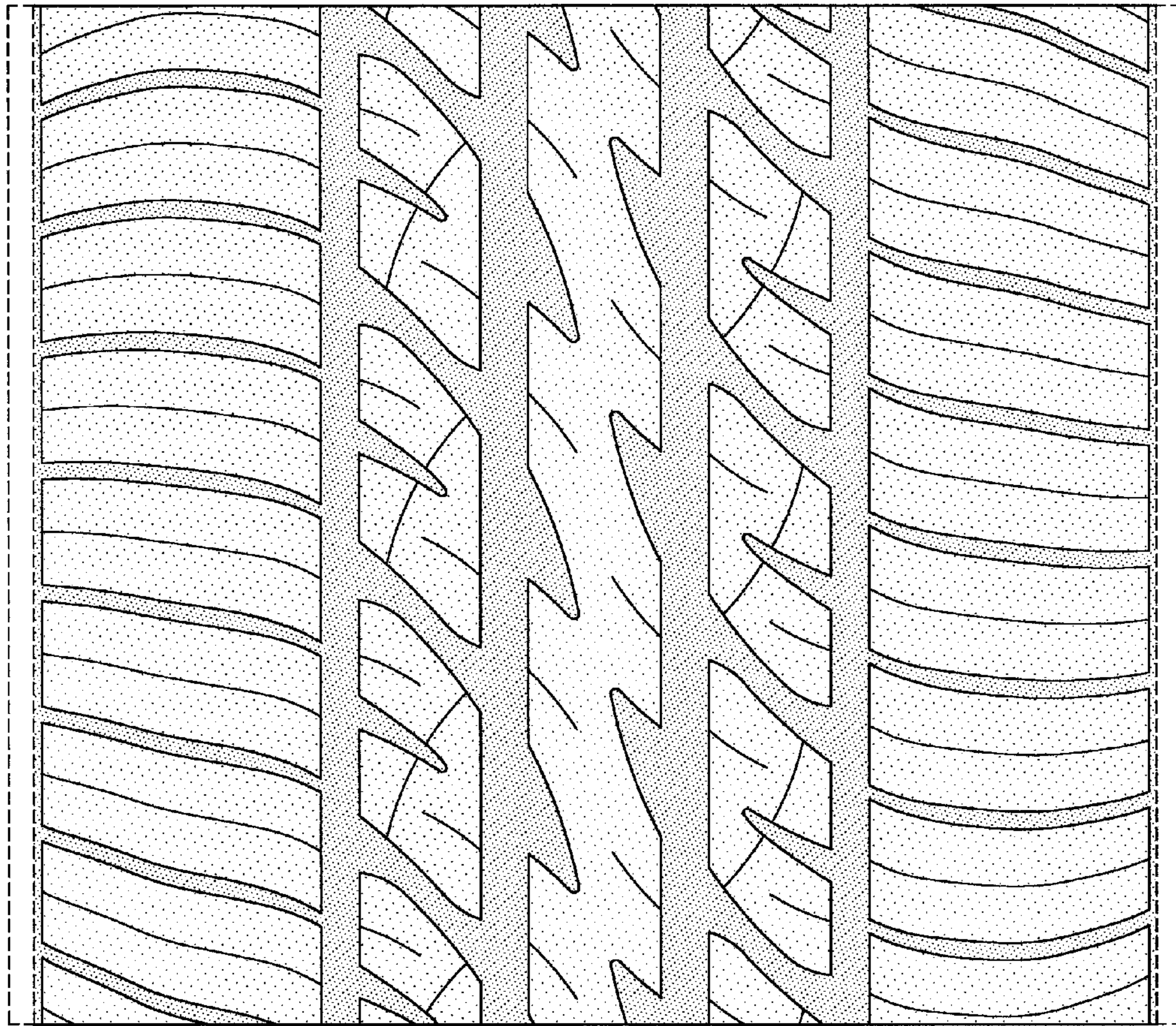


FIG-4