



US00D676795S

(12) **United States Design Patent**
Wachter

(10) **Patent No.:** **US D676,795 S**

(45) **Date of Patent:** **** Feb. 26, 2013**

(54) **WHEEL OR WHEEL COVER**

(75) Inventor: **Markus Wachter**, Affalterbach (DE)

(73) Assignee: **Daimler AG**, Stuttgart (DE)

(**) Term: **14 Years**

(21) Appl. No.: **29/423,884**

(22) Filed: **Jun. 6, 2012**

(30) **Foreign Application Priority Data**

Dec. 7, 2011 (EM) 001958976-0007

(51) **LOC (9) Cl.** **12-16**

(52) **U.S. Cl.** **D12/211**

(58) **Field of Classification Search** D12/204-213;
301/37.101, 64.101, 65, 64.201

See application file for complete search history.

(56) **References Cited**

U.S. PATENT DOCUMENTS

D578,949 S * 10/2008 Hieke D12/211
D582,328 S * 12/2008 Hieke D12/209

D618,150 S * 6/2010 Hilpert D12/209
D618,607 S * 6/2010 Hilpert D12/211
D638,772 S * 5/2011 Hans et al. D12/211
D649,105 S * 11/2011 Hilpert et al. D12/211
D649,923 S * 12/2011 Hans et al. D12/211
D666,956 S * 9/2012 Hermann et al. D12/211

* cited by examiner

Primary Examiner — Stacia Cadmus

(74) *Attorney, Agent, or Firm* — Crowell & Moring LLP

(57) **CLAIM**

The ornamental design for a wheel or wheel cover, as shown and described.

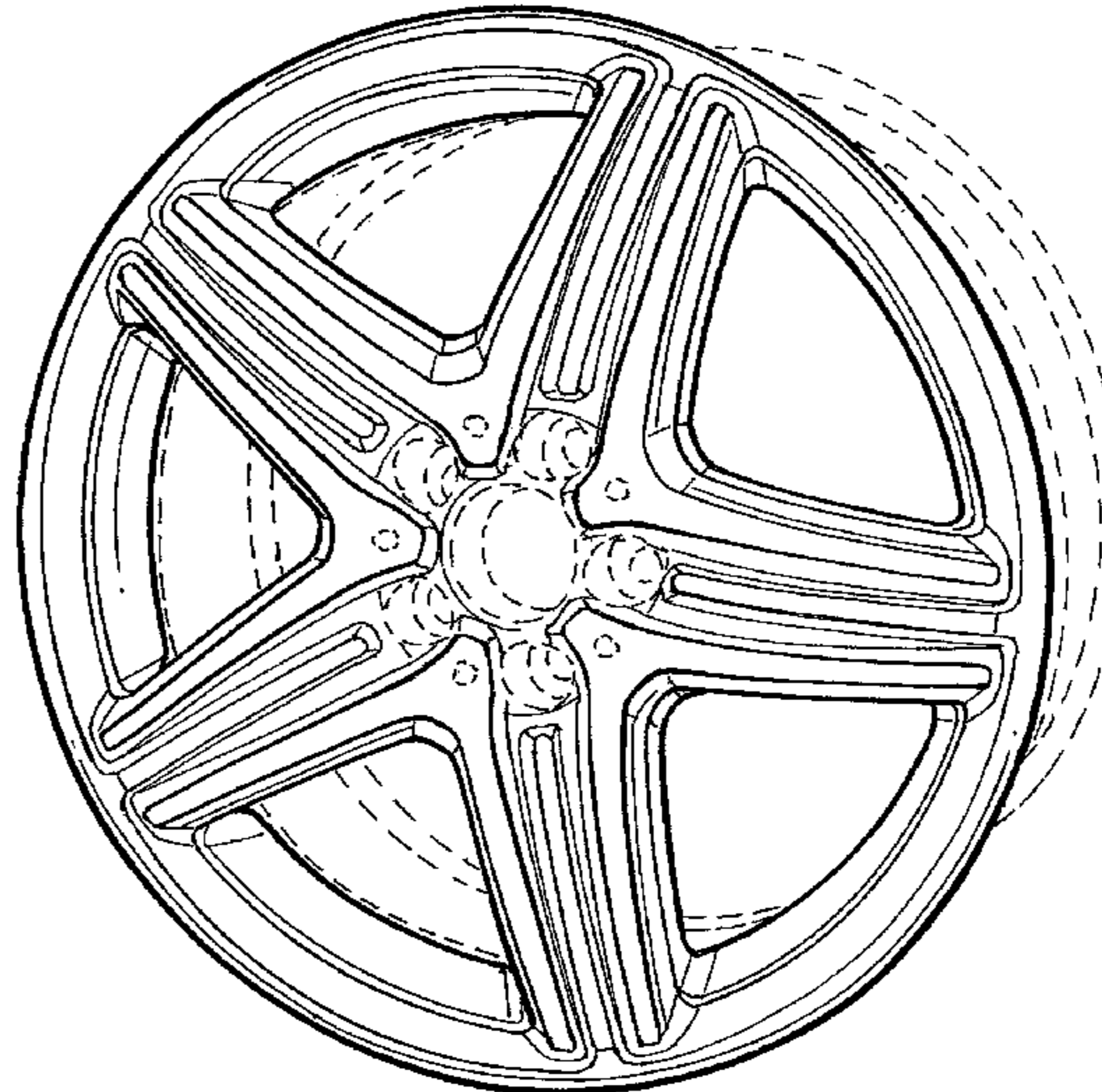
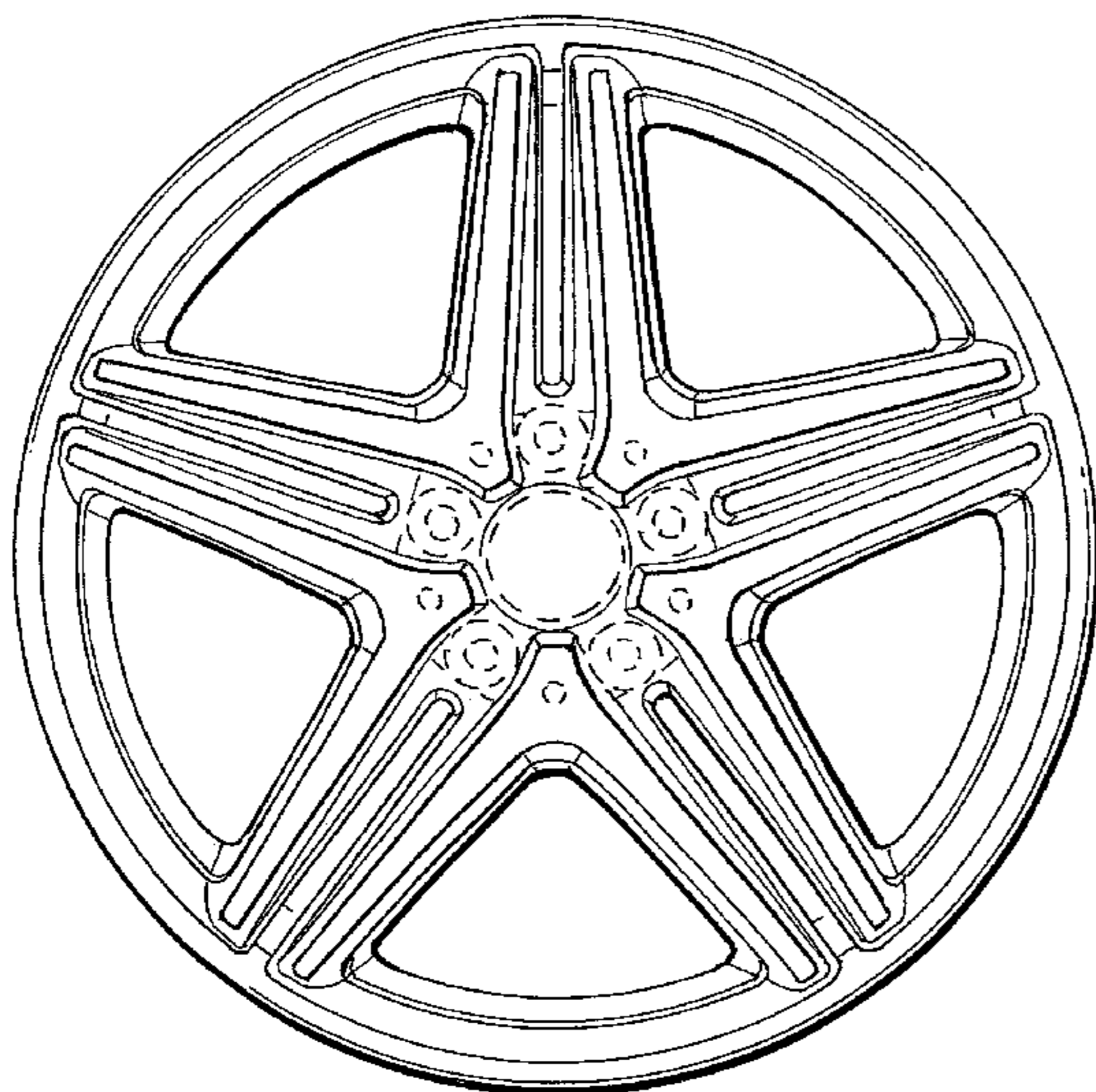
DESCRIPTION

FIG. 1 is a front view of a wheel or wheel cover according to my design; and,

FIG. 2 is a perspective view thereof.

The broken lines are for illustrative purposes only and form no part of the claimed design.

1 Claim, 1 Drawing Sheet



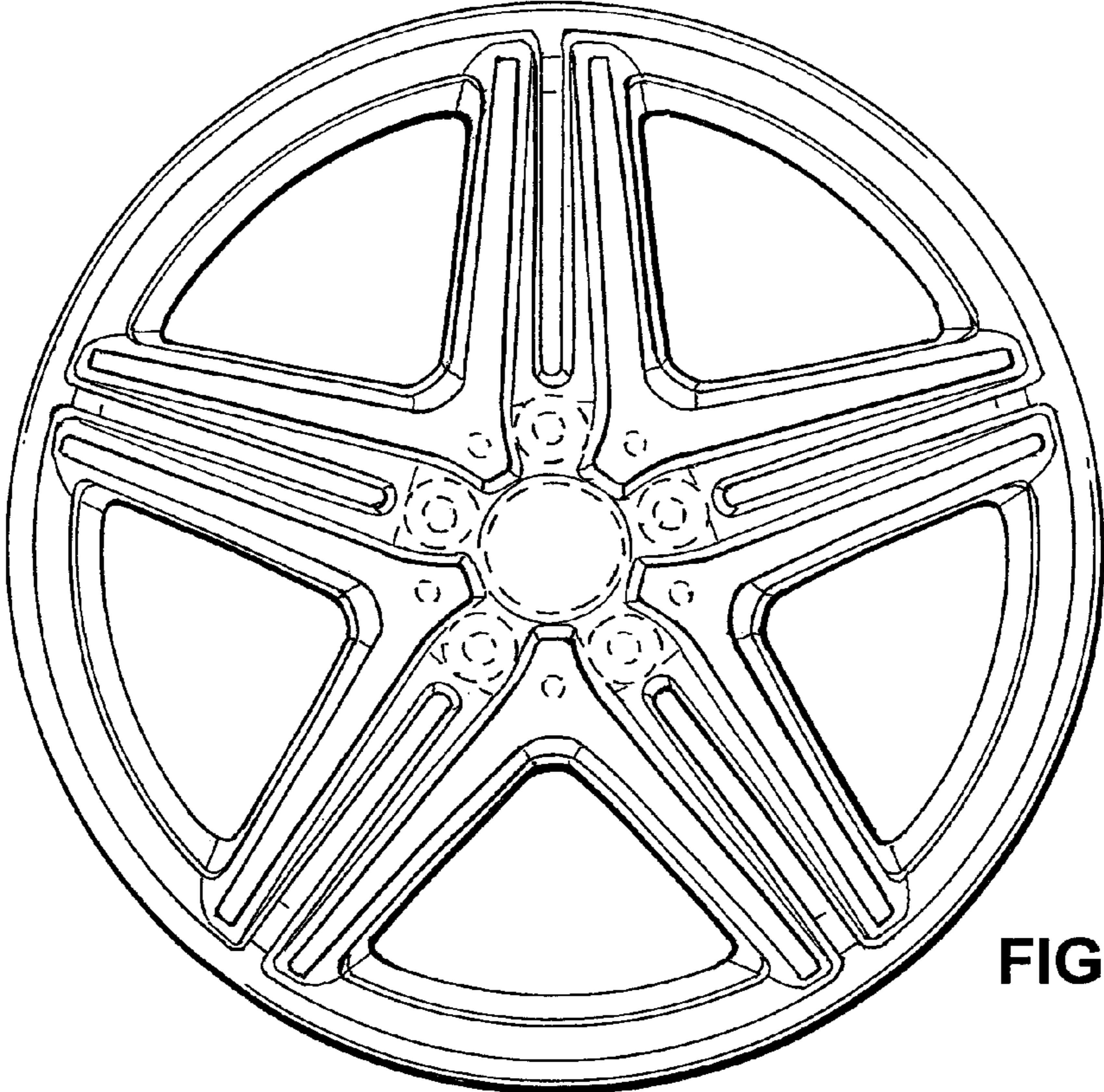


FIG. 1

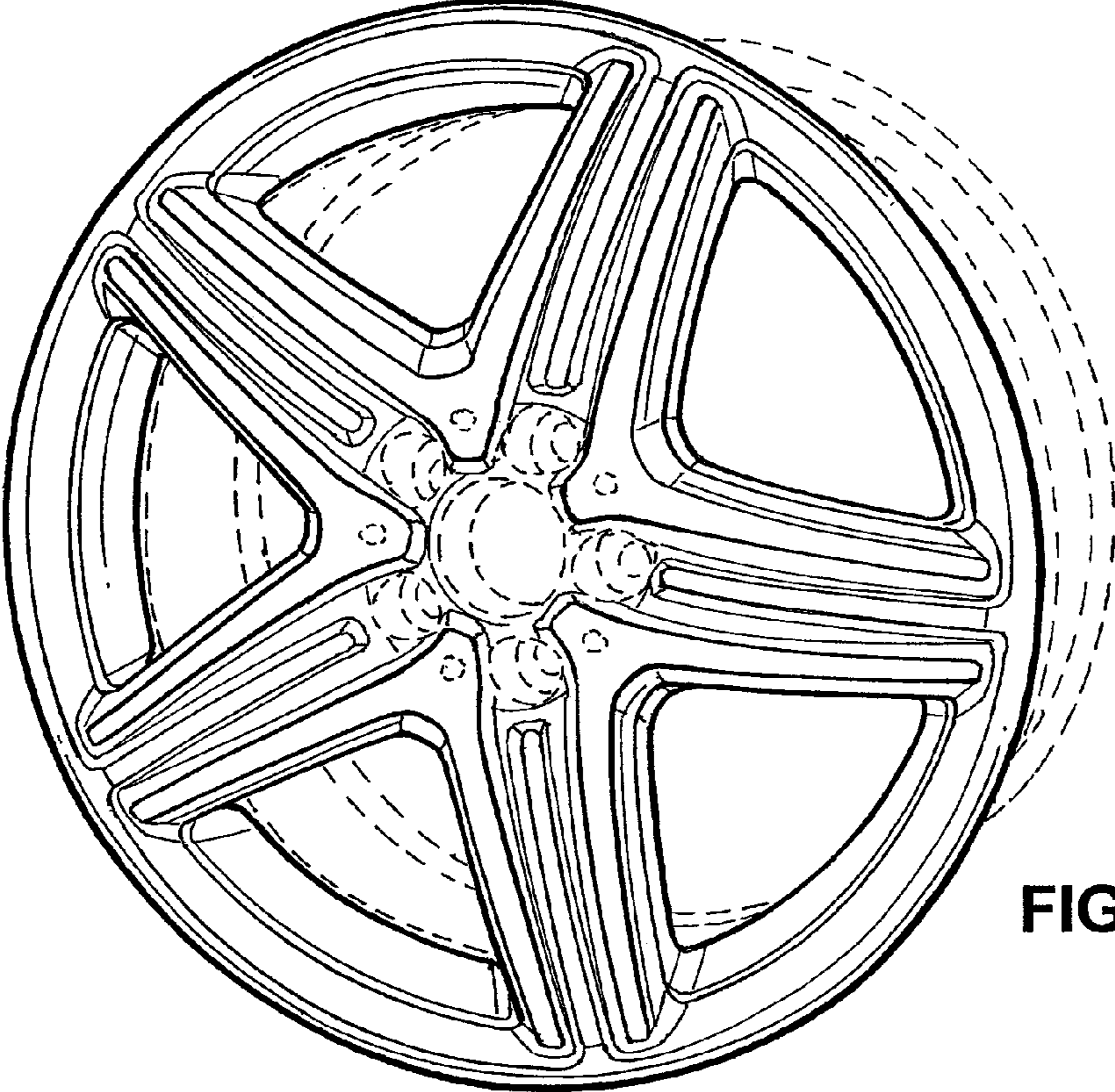


FIG. 2