



US00D676792S

(12) **United States Design Patent**
Benjamini et al.

(10) **Patent No.:** **US D676,792 S**

(45) **Date of Patent:** **** Feb. 26, 2013**

(54) **LICENSE PLATE FRAME**

(76) Inventors: **Beny Benjamini**, Los Angeles, CA
(US); **Raymond Rubio**, Murietta, CA
(US)

(**) Term: **14 Years**

(21) Appl. No.: **29/422,719**

(22) Filed: **May 23, 2012**

(51) **LOC (9) Cl.** **12-16**

(52) **U.S. Cl.** **D12/193**

(58) **Field of Classification Search** D12/193;
D6/300-302, 310-314; 40/200-204, 207-214;
D20/13; 348/148, 373

See application file for complete search history.

(56) **References Cited**

U.S. PATENT DOCUMENTS

D382,241	S	*	8/1997	Moureaux	D12/193
D453,491	S	*	2/2002	Schmitz	D12/193
D464,299	S	*	10/2002	Ohm et al.	D12/193
D469,043	S	*	1/2003	Ohm	D12/193
D524,210	S	*	7/2006	Spencer	D12/193
D535,927	S	*	1/2007	Tofer et al.	D12/193
D537,395	S	*	2/2007	Magee	D12/193
D538,722	S	*	3/2007	Tofer	D12/193
D567,163	S	*	4/2008	Hu	D12/193
D602,831	S	*	10/2009	Spencer et al.	D12/193
D602,832	S	*	10/2009	Tharp et al.	D12/193

D636,713	S	*	4/2011	Ohm et al.	D12/193
D640,177	S	*	6/2011	Ohm et al.	D12/193
D650,729	S	*	12/2011	Dong	D12/193
D662,448	S	*	6/2012	Krankkala et al.	D12/193

* cited by examiner

Primary Examiner — Stacia Cadmus

(74) *Attorney, Agent, or Firm* — David W. Barman

(57) **CLAIM**

The ornamental design of a license plate frame, as shown and described.

DESCRIPTION

FIG. 1 is a perspective view of the license plate frame of the present invention.

FIG. 2 is a front view of the license plate frame of the present invention.

FIG. 3 is a right side view of the license plate frame of the present invention.

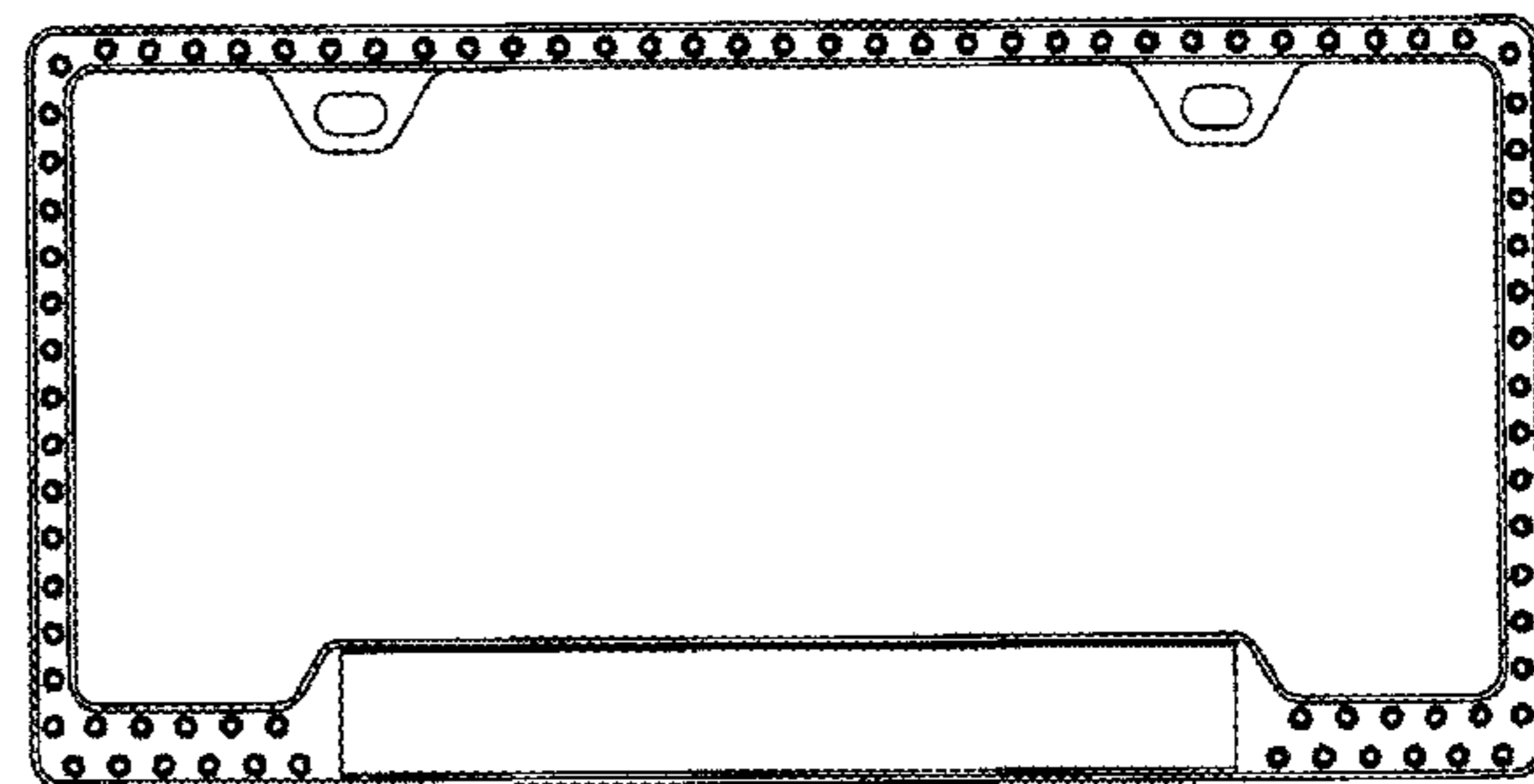
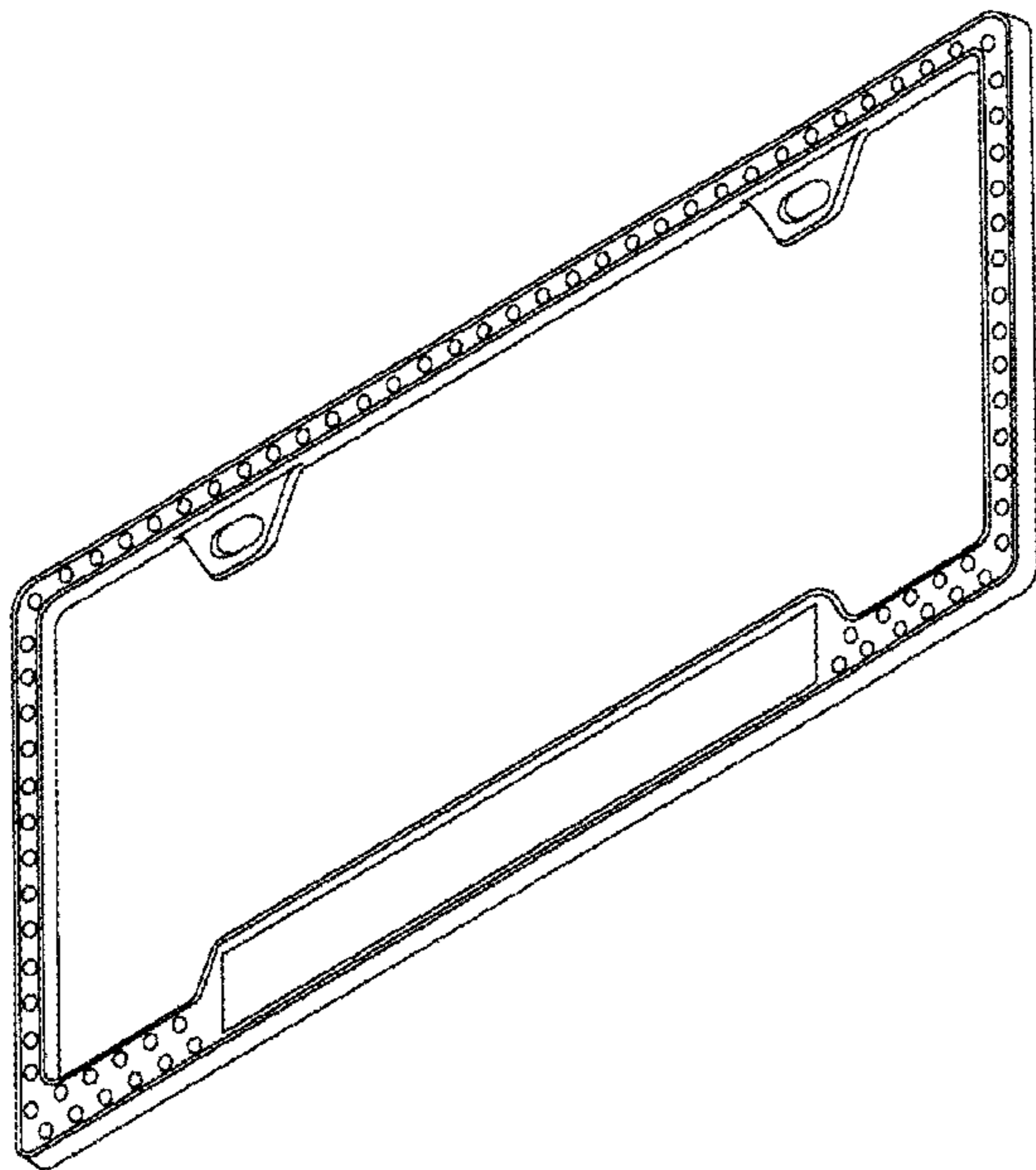
FIG. 4 is a left side view of the license plate frame of the present invention.

FIG. 5 is a bottom view of the license plate frame of the present invention.

FIG. 6 is a rear view of the license plate frame of the present invention; and,

FIG. 7 is a top view of the license plate frame of the present invention.

1 Claim, 3 Drawing Sheets



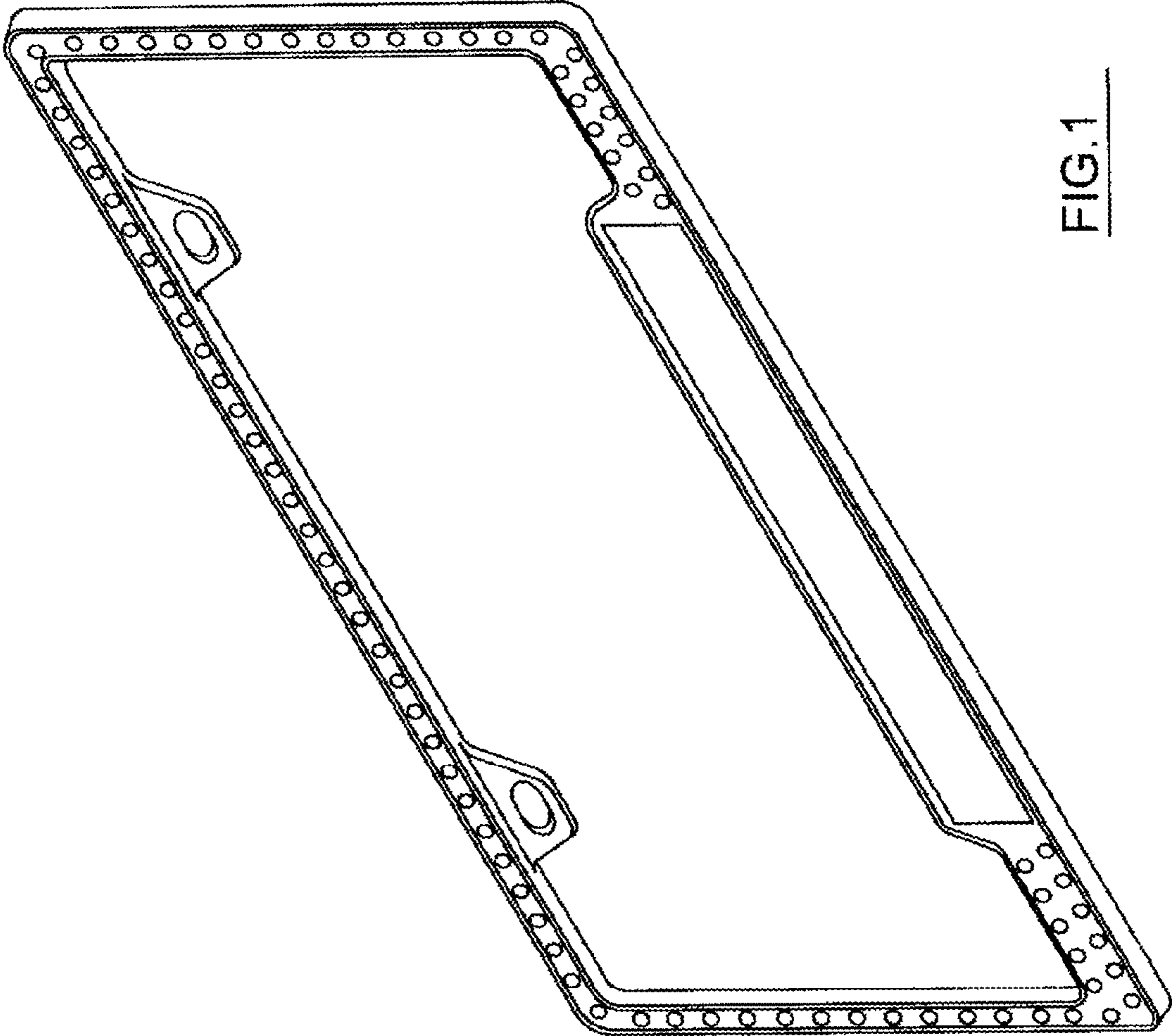


FIG. 1

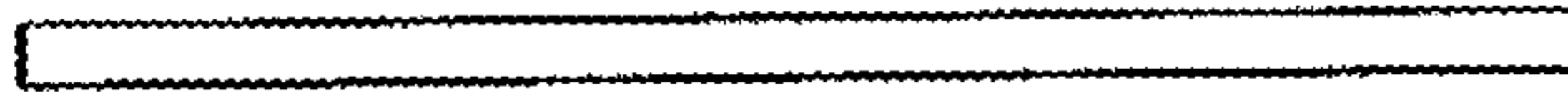


FIG.3

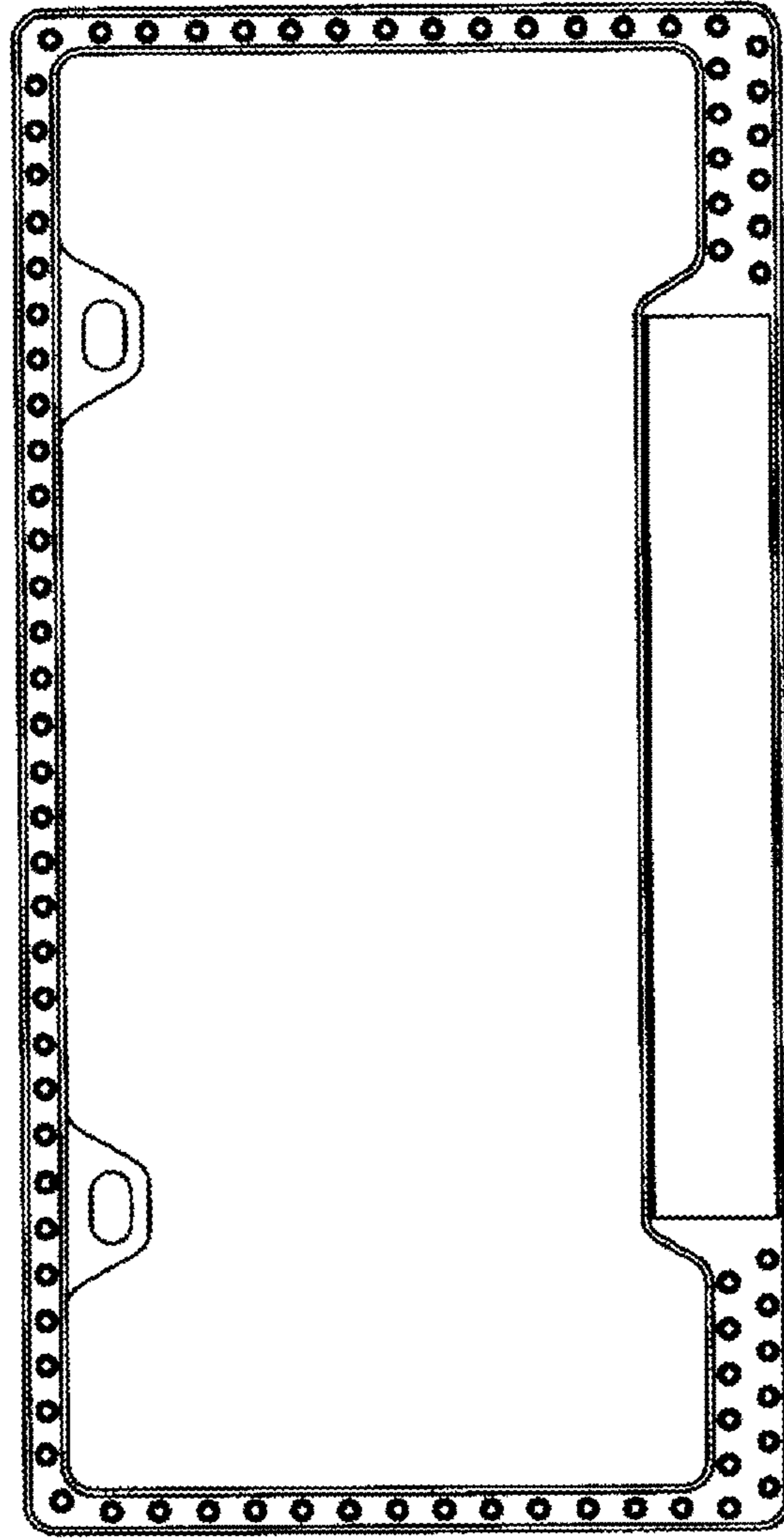


FIG.2

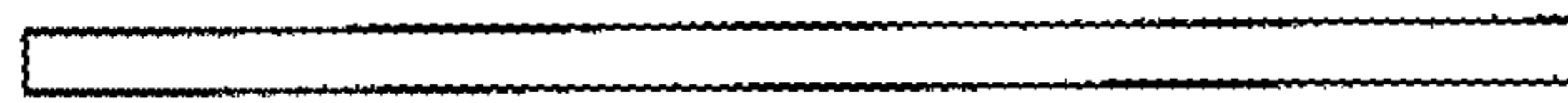


FIG.4



FIG. 7

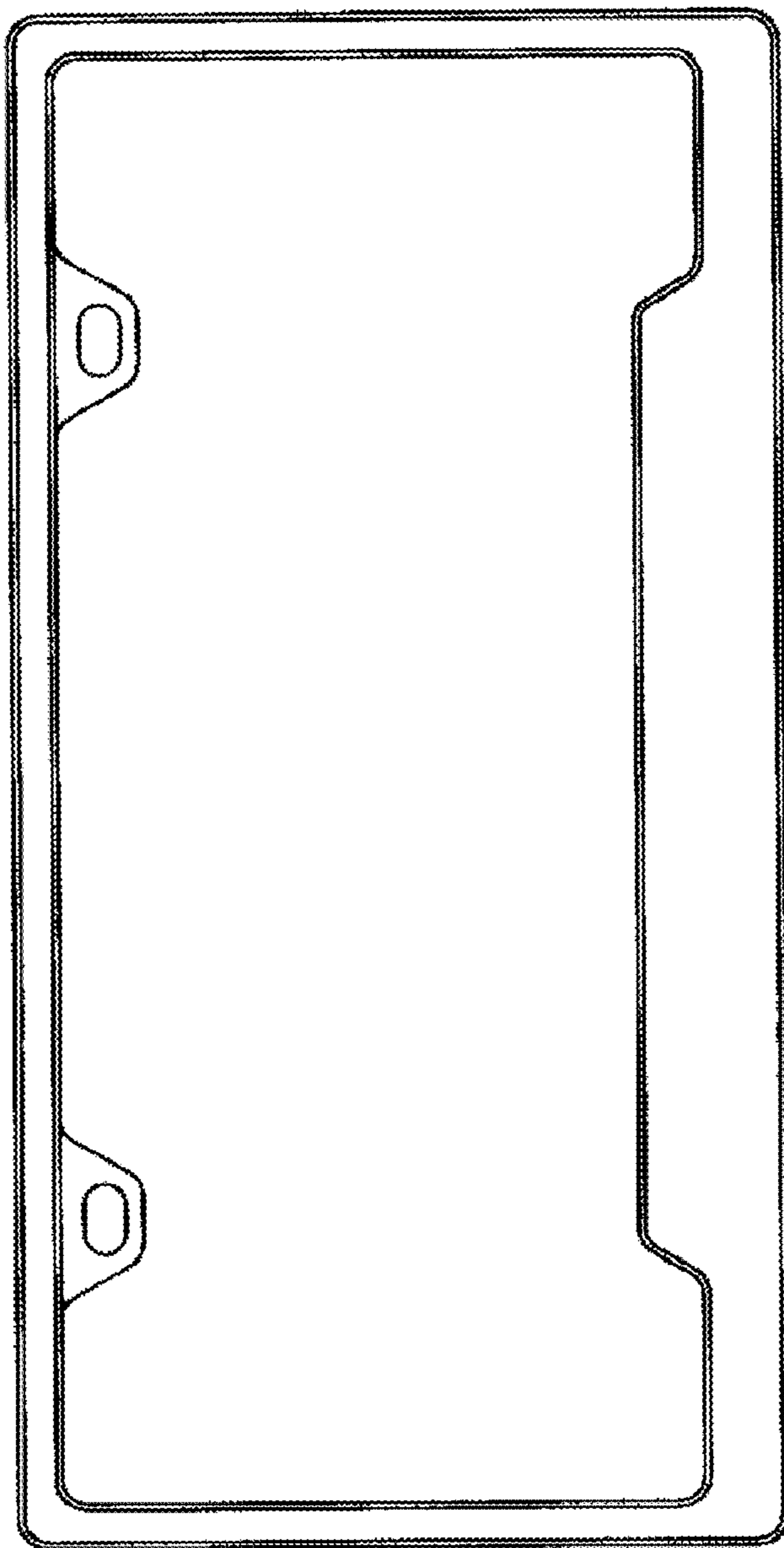


FIG. 6



FIG. 5