



US00D676786S

(12) **United States Design Patent**
Werner et al.

(10) **Patent No.:** **US D676,786 S**

(45) **Date of Patent:** **** Feb. 26, 2013**

(54) **DUMP TRUCK**

(75) Inventors: **Gregory K. Werner**, Durango, IA (US);
Denis J. Montocchio, Dubuque, IA
(US); **Karl G. Heine**, Dubuque, IA
(US); **Thomas H. Ward**, Ventura, CA
(US); **Michael J. De Jung**, Sebastopol,
CA (US)

(73) Assignee: **Deere & Company**, Moline, IL (US)

(**) Term: **14 Years**

(21) Appl. No.: **29/385,634**

(22) Filed: **Feb. 17, 2011**

(51) **LOC (9) Cl.** **08-10**

(52) **U.S. Cl.** **D12/15**

(58) **Field of Classification Search** D12/1,
D12/5, 14, 15, 98, 196; D15/10, 25, 30,
D15/33; 414/245, 685, 688, 722, 724, 493
See application file for complete search history.

(56) **References Cited**

U.S. PATENT DOCUMENTS

7,247,803	B2 *	7/2007	Takeda et al.	177/137
7,320,504	B2	1/2008	Colling	
D588,956	S *	3/2009	Kelley et al.	D12/15
2007/0200418	A1 *	8/2007	Takeda et al.	298/1 R
2007/0228803	A1 *	10/2007	Raup	298/17 R
2008/0107512	A1 *	5/2008	Feller	414/489
2009/0152934	A1	6/2009	Devries et al.	

OTHER PUBLICATIONS

Deere 300D ADT Dump Body (3 pages).

Deere 400D ADT Dump Body (3 pages).
Views of Various ADTs (2 pages)(Apr. 2009).
Deere D Series II ADTs Product Brochure (20 pages)(Nov. 2009).
Images of Deere D-Series ADTs (5 pages).
Drawings of Deere D-Series ADAT Fleet (1 page).
Bell B40D Product Brochure (4 pages)(Nov. 2009).
Doosan Moxy ADAT Product Brochure (20 pages)(Mar. 2010).
Caterpillar 740 Product Brochure (20 pages)(2009).
Komatsu HM400-2 Product Brochure (12 pages)(Apr. 2009).
Terex TA400 Product Brochure (6 pages)(Jan. 2010).
Volvo A35E-A40E Product Brochure (28 pages)(Nov. 2007).

* cited by examiner

Primary Examiner — T. Chase Nelson

Assistant Examiner — Ania Aman

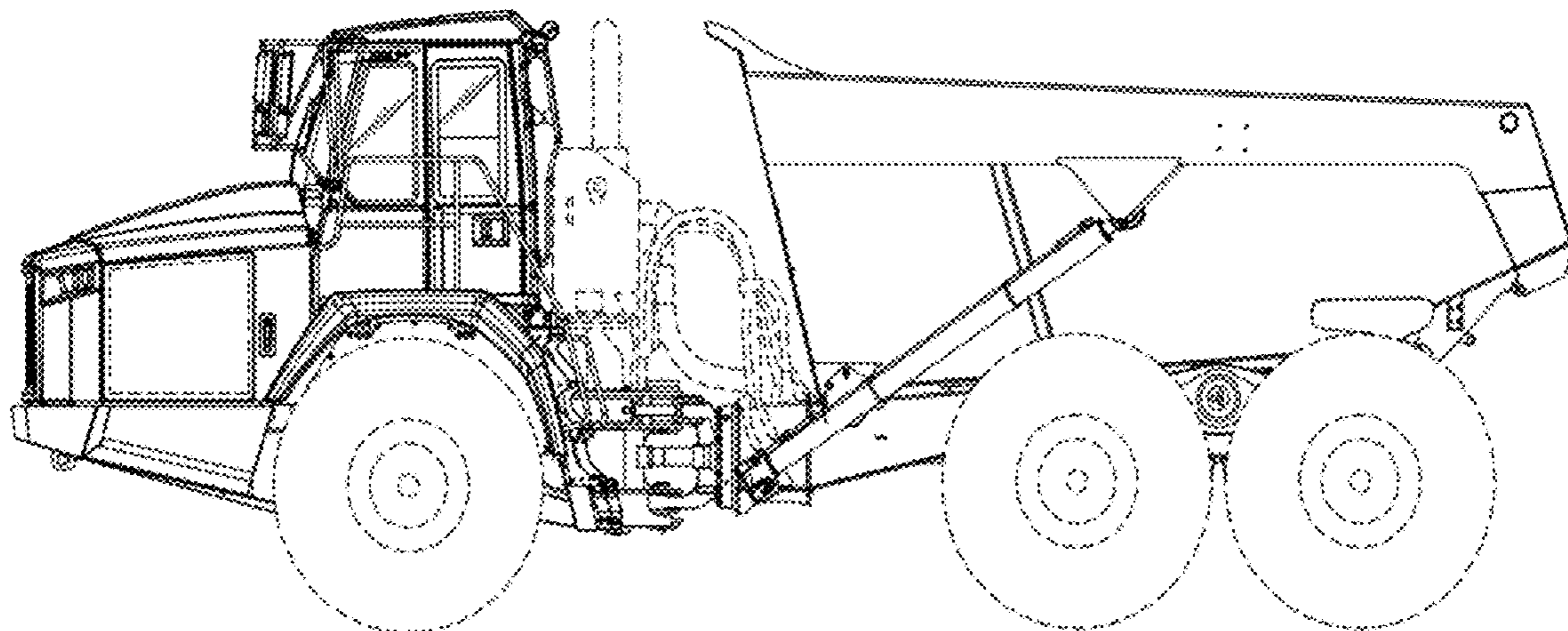
(57) **CLAIM**

The ornamental design for a dump truck, as shown and described.

DESCRIPTION

FIG. 1 is a left-side elevational view of our design for a dump truck;
FIG. 2 is a right-side elevational view thereof;
FIG. 3 is a front elevational view thereof;
FIG. 4 is a rear elevational view thereof;
FIG. 5 is a top plan view thereof; and,
FIG. 6 is a bottom view thereof.
In the drawings, the broken lines depict unclaimed subject matter and form no part of the claimed design.

1 Claim, 5 Drawing Sheets



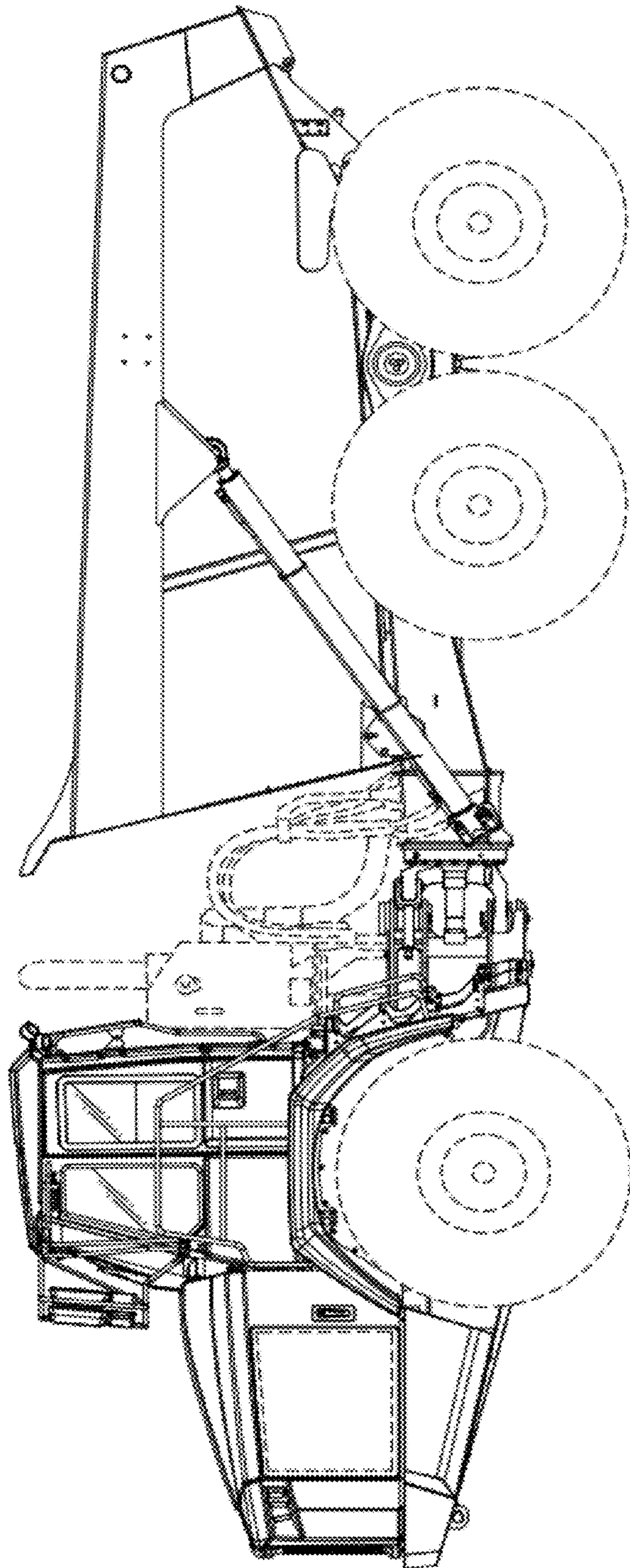


FIG. 1

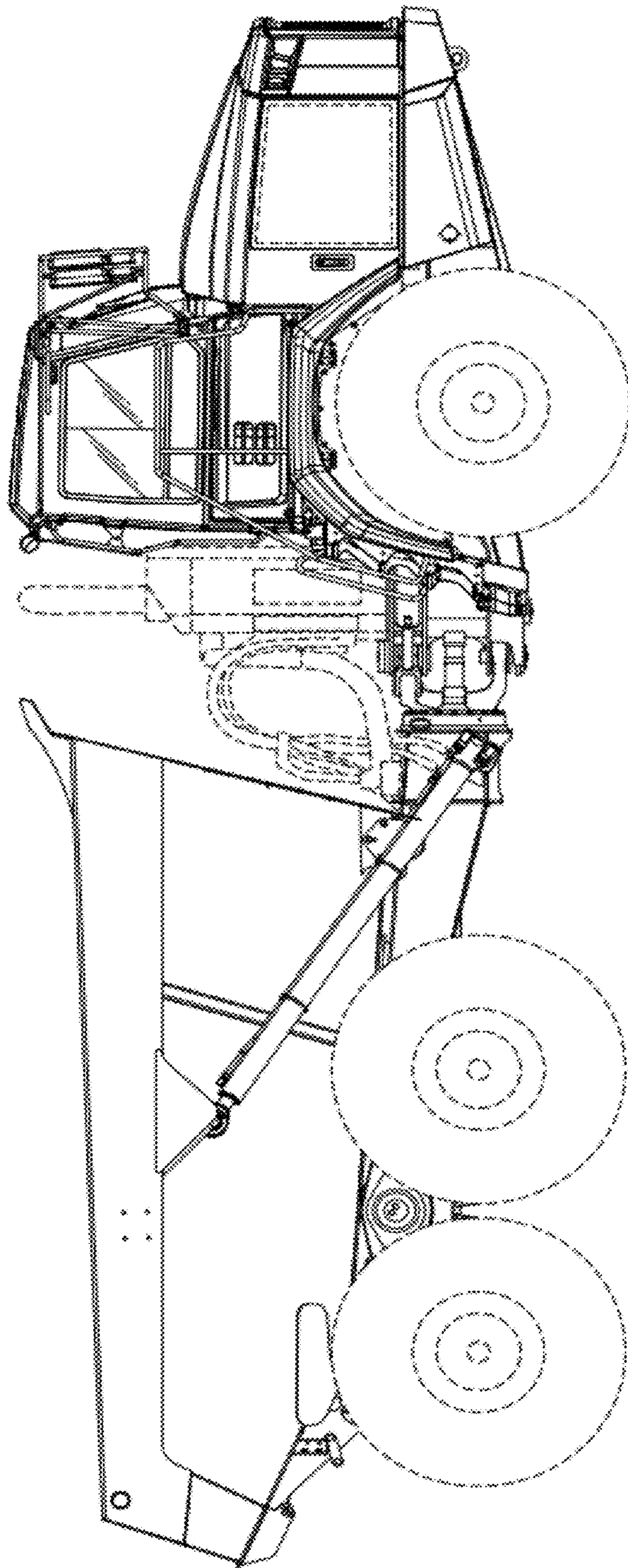


FIG. 2

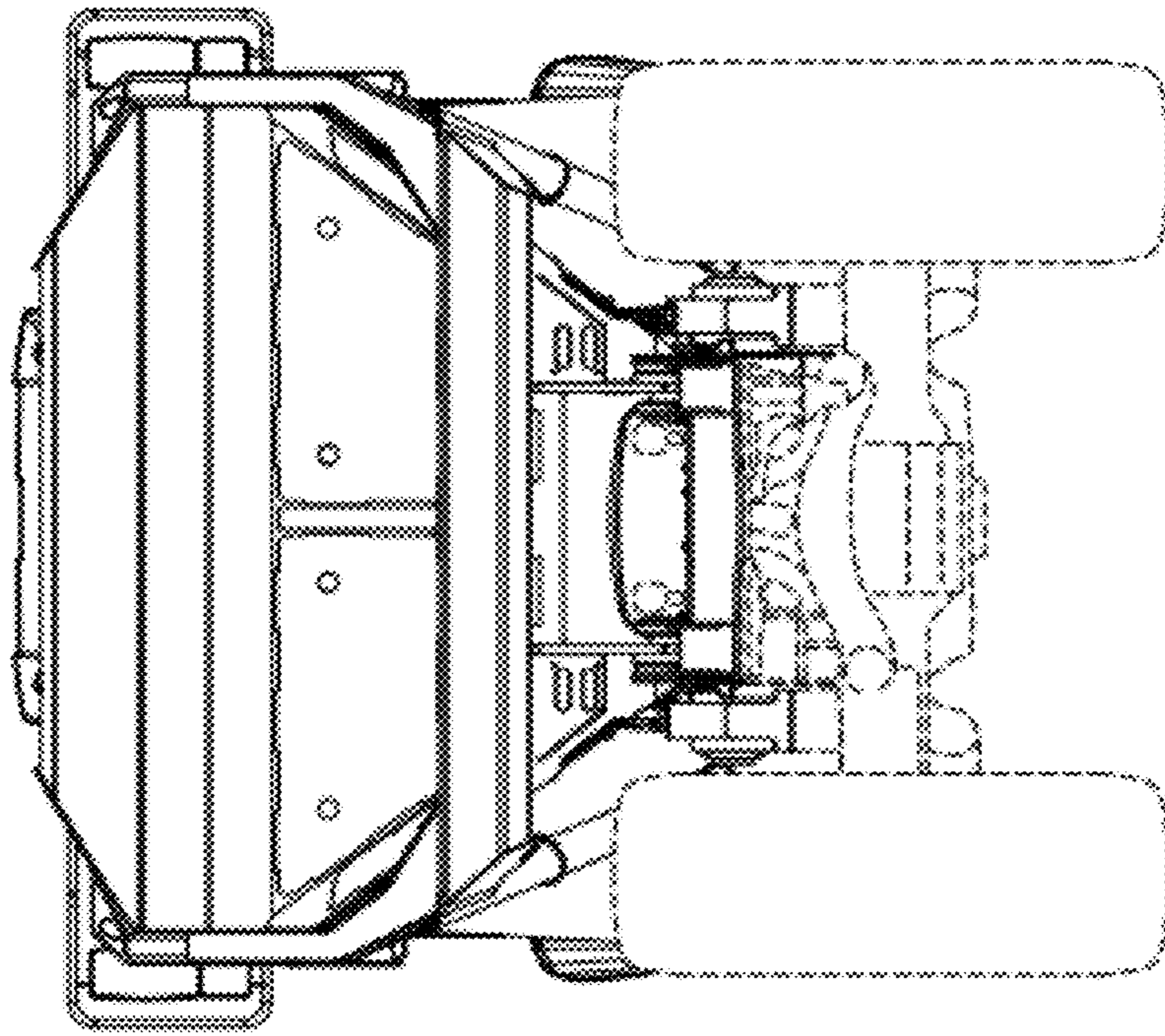


FIG. 3

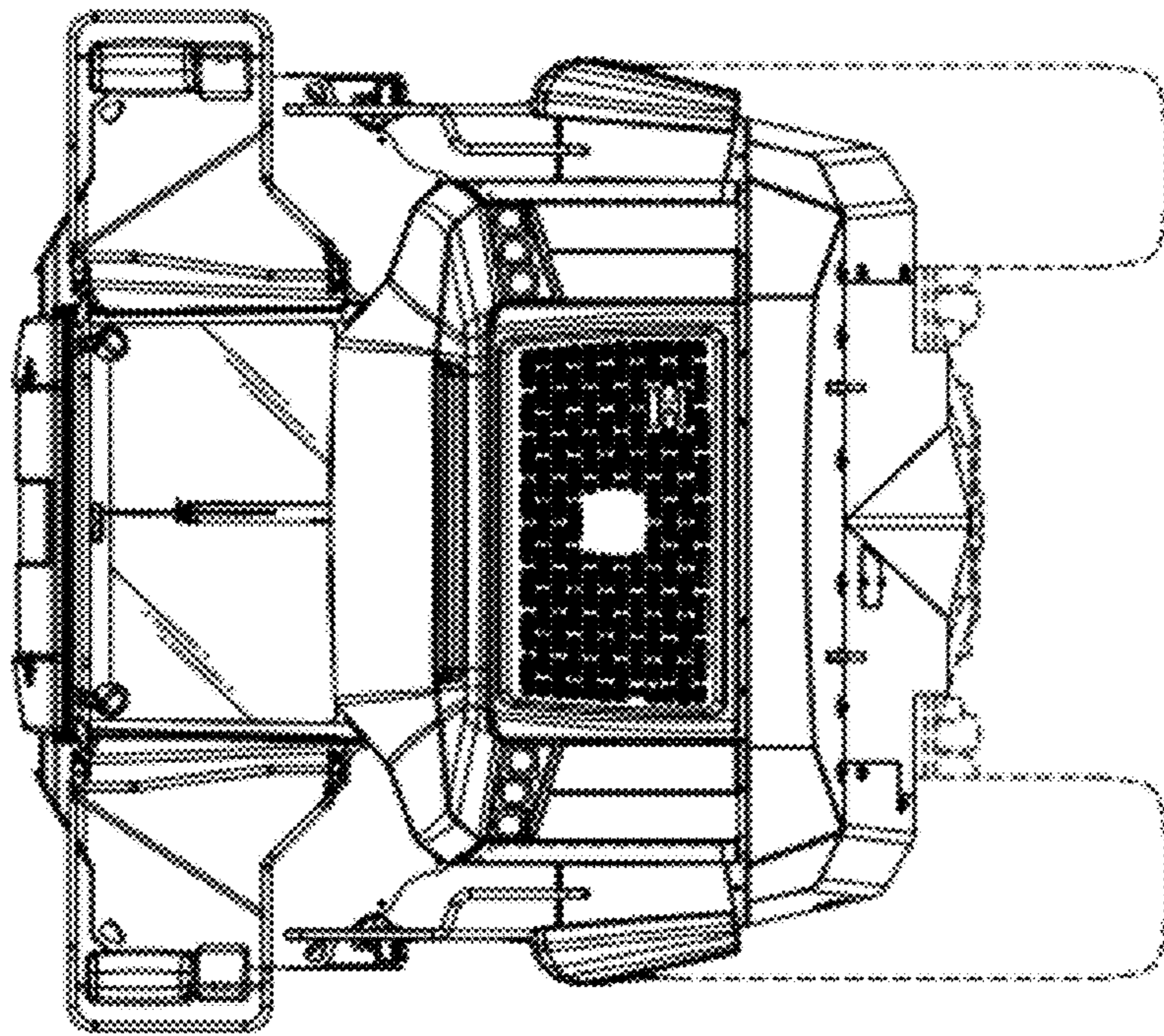


FIG. 4

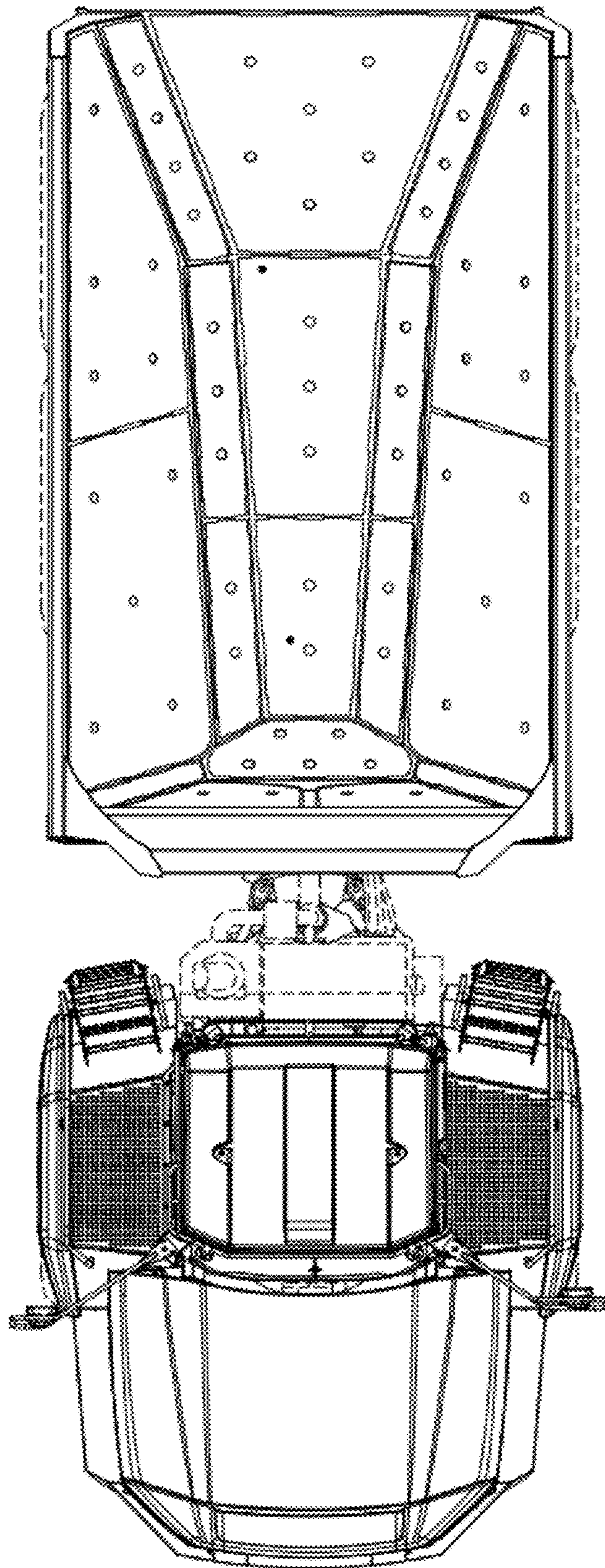


FIG. 5

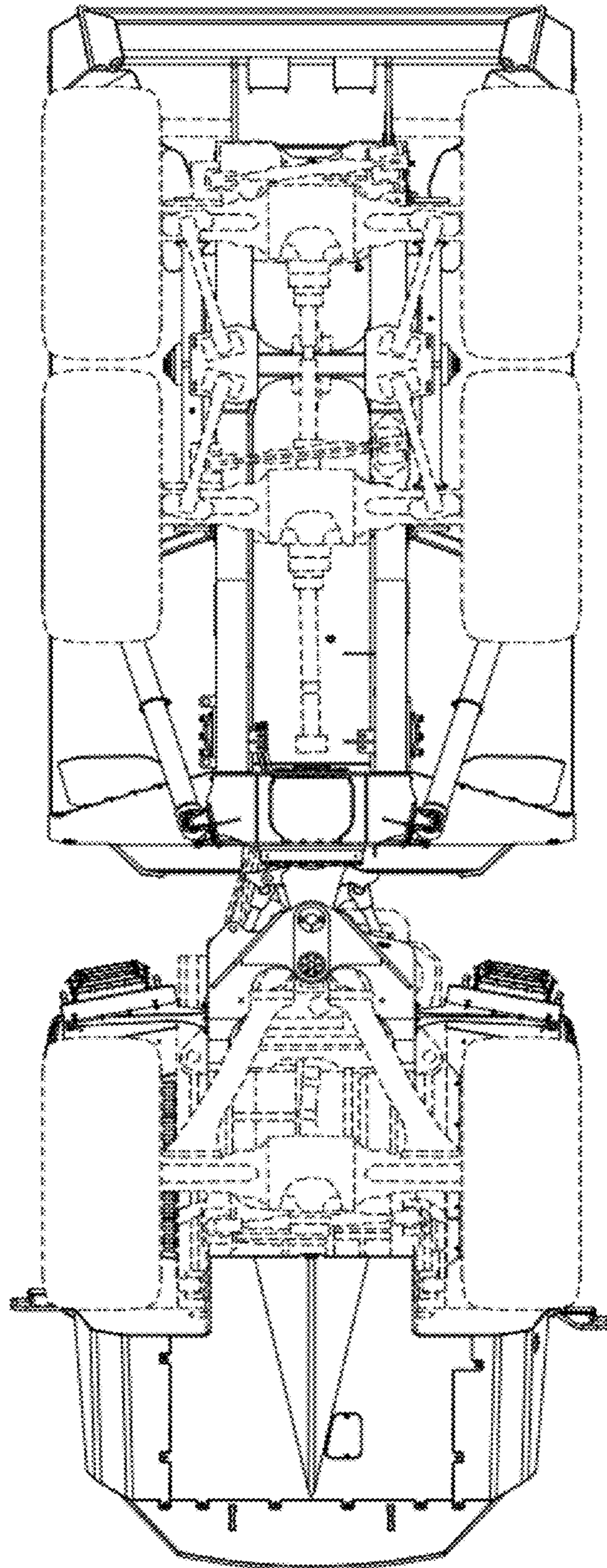


FIG. 6