



US00D676777S

(12) **United States Design Patent**
Williams

(10) **Patent No.:** **US D676,777 S**
(45) **Date of Patent:** **** *Feb. 26, 2013**

(54) **DOUBLE BAND**

(76) Inventor: **Janae Williams**, Kirkland, WA (US)

(*) Notice: This patent is subject to a terminal disclaimer.

(**) Term: **14 Years**

(21) Appl. No.: **29/419,521**

(22) Filed: **Apr. 29, 2012**

(51) **LOC (9) Cl.** **11-01**

(52) **U.S. Cl.** **D11/26**

(58) **Field of Classification Search** D11/14,
D11/26, 27, 28, 29, 30, 31, 32, 55, 83, 101,
D11/136, 160, 240; D19/41-51, 54; D21/384,
D21/386, 390, 630, 812; 63/15, 15.1
See application file for complete search history.

(56) **References Cited**

U.S. PATENT DOCUMENTS

211,558	A *	1/1879	Edwards	63/15
D229,901	S *	1/1974	Crowley	D11/224
D232,061	S *	7/1974	Christiansen	D11/224
3,839,821	A *	10/1974	Forsman	446/28
D244,589	S *	6/1977	Rosenfeld	D11/34
D264,827	S *	6/1982	Cunningham	D11/34
D303,450	S *	9/1989	Concepcion et al.	D1/109
4,932,396	A *	6/1990	Garris	602/22
D308,948	S *	7/1990	Anderson	D11/30
5,186,189	A *	2/1993	Harris	132/285
5,353,608	A *	10/1994	Berkowitz	63/33
D352,012	S *	11/1994	Ondracek	D11/101
D391,864	S *	3/1998	Wright et al.	D10/31
D397,621	S *	9/1998	Wright et al.	D10/31
D399,779	S *	10/1998	Bulgari	D11/29
D414,075	S *	9/1999	Mishan	D7/410
5,989,093	A *	11/1999	Nelson et al.	446/220
D438,271	S *	2/2001	Wall	D21/714
D444,611	S *	7/2001	Wolfe et al.	D1/109
D464,584	S *	10/2002	Tsukayama	D11/81
6,581,413	B1 *	6/2003	Kadosh	63/15.1
6,582,272	B1 *	6/2003	Nelson et al.	446/220
D476,686	S *	7/2003	Johnson	D19/65
D515,729	S *	2/2006	Haywood	D27/106
D517,273	S *	3/2006	Harrington et al.	D1/109
D520,078	S *	5/2006	Pollack	D21/453
D557,166	S *	12/2007	Wysopal	D11/26
D558,081	S *	12/2007	Minoli	D11/26

7,614,252	B2 *	11/2009	De Lyrot	63/15.1
D629,114	S *	12/2010	Masini	D24/189
7,850,506	B2 *	12/2010	Nelson et al.	446/220
D630,541	S *	1/2011	Shimansky	D11/26
D650,966	S *	12/2011	Maher	D1/107
D653,580	S *	2/2012	Hustik	D11/26
D655,217	S *	3/2012	Thevenaz	D11/26
D655,638	S *	3/2012	Thevenaz	D11/26
D657,000	S *	4/2012	Nelson et al.	D21/453
2004/0161289	A1 *	8/2004	Silberman	401/195
2008/0034791	A1 *	2/2008	Arcadi	63/15
2008/0241326	A1 *	10/2008	Ekberg	426/512

* cited by examiner

Primary Examiner — Elizabeth Albert

(74) *Attorney, Agent, or Firm* — James M Smedley LLC;
James M. Smedley, Esq.

(57) **CLAIM**

I claim the ornamental design for a double band, as shown and described.

DESCRIPTION

FIG. 1 is a perspective view of the double band showing a first embodiment of my new design;

FIG. 2 is a front perspective view of a second embodiment of the double band;

FIG. 3 is a rear perspective view of the first embodiment shown in FIG. 1;

FIG. 4 is a rear perspective view of the second embodiment shown in FIG. 2;

FIG. 5 is a side view of the first embodiment shown in FIG. 1;

FIG. 6 is a side view of the second embodiment shown in FIG. 2;

FIG. 7 is a another perspective view of the first embodiment shown in FIG. 1 in use;

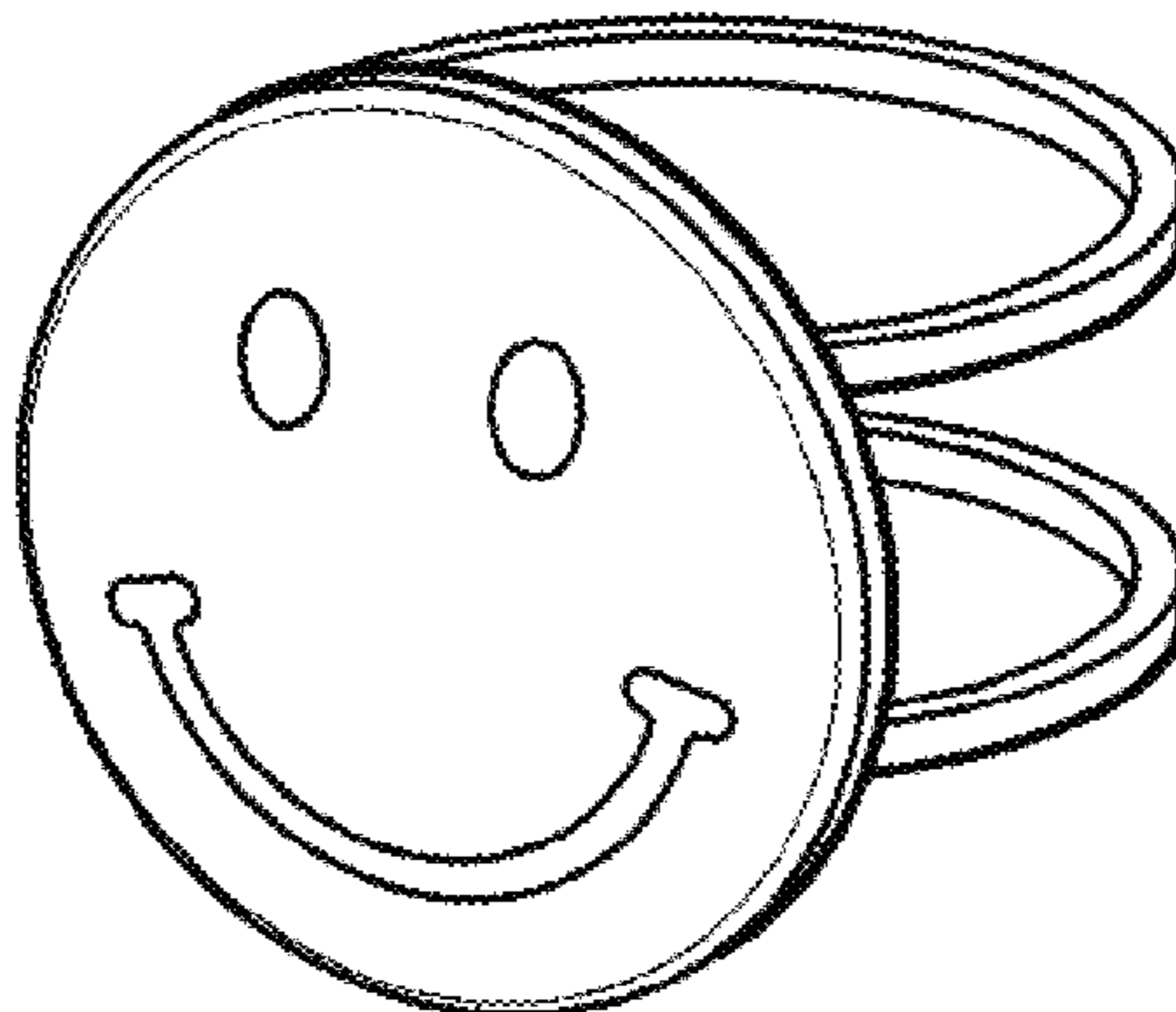
FIG. 8 is a still another perspective view of the first embodiment shown in FIG. 1 in use;

FIG. 9 is a still another perspective view of the first embodiment shown in FIG. 1 in use; and,

FIG. 10 is a still another perspective view of the first embodiment shown in FIG. 1 in use.

The broken lines in FIG. 7 showing a key chain, in FIG. 8 showing a goblet, in FIG. 9 showing a shoelace and in FIG. 10 showing a pair of eyeglasses are included for the purpose of showing environmental articles and form no part of the claimed design.

1 Claim, 3 Drawing Sheets



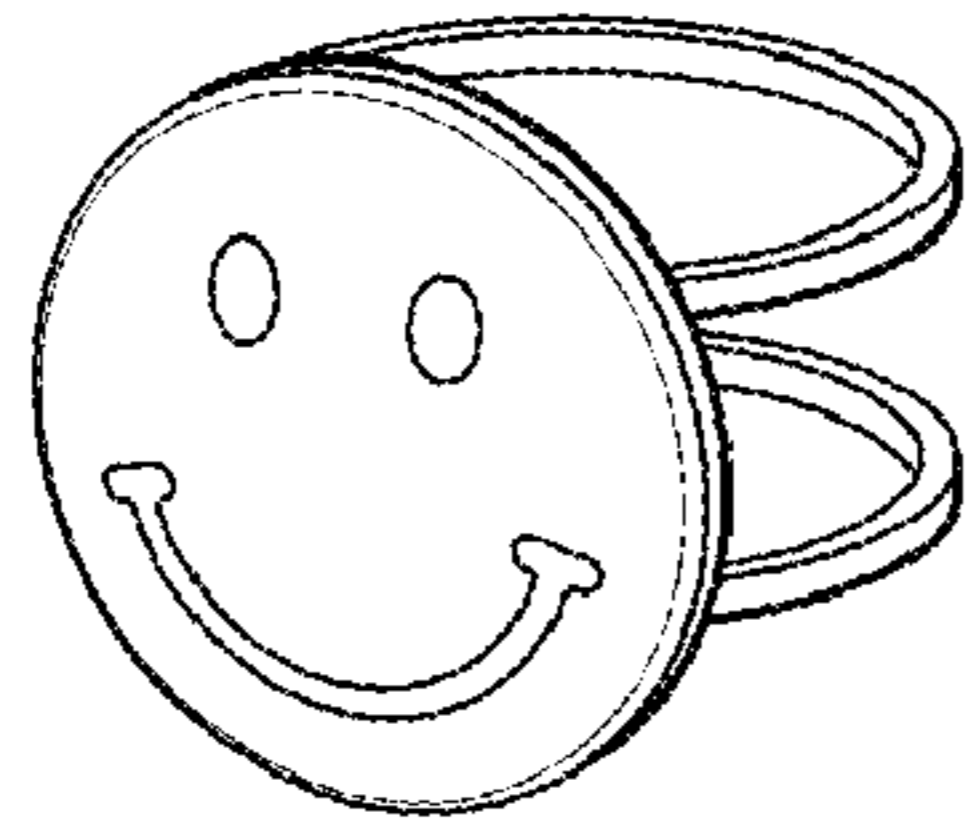


FIG. 1

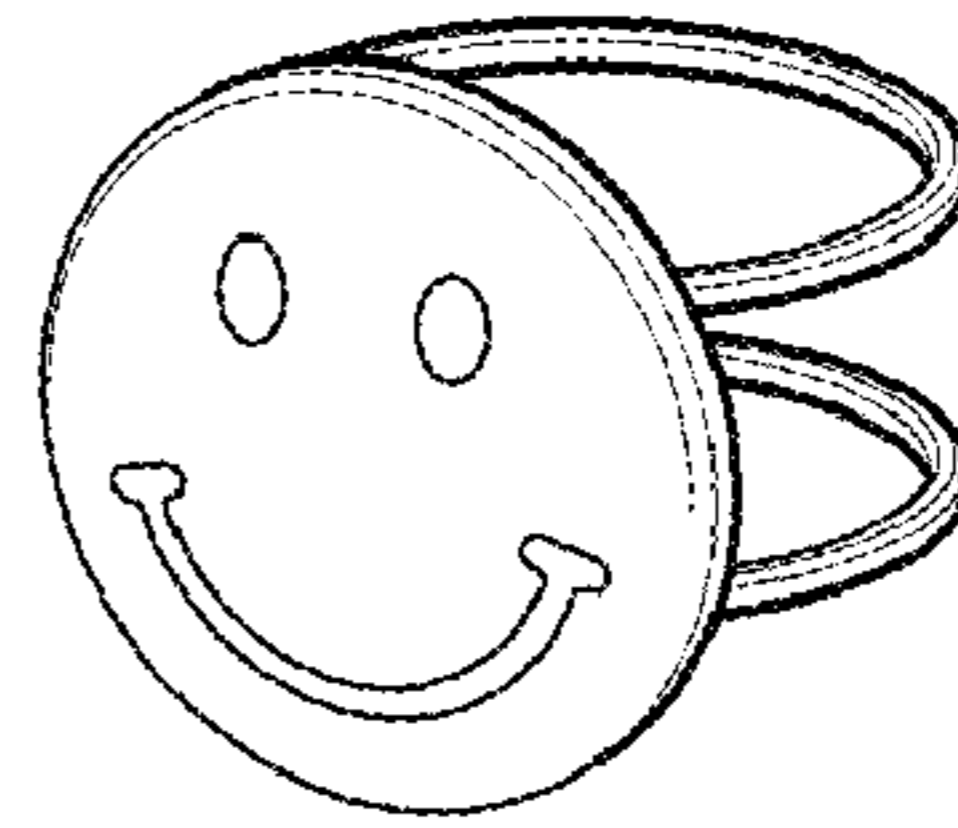


FIG. 2

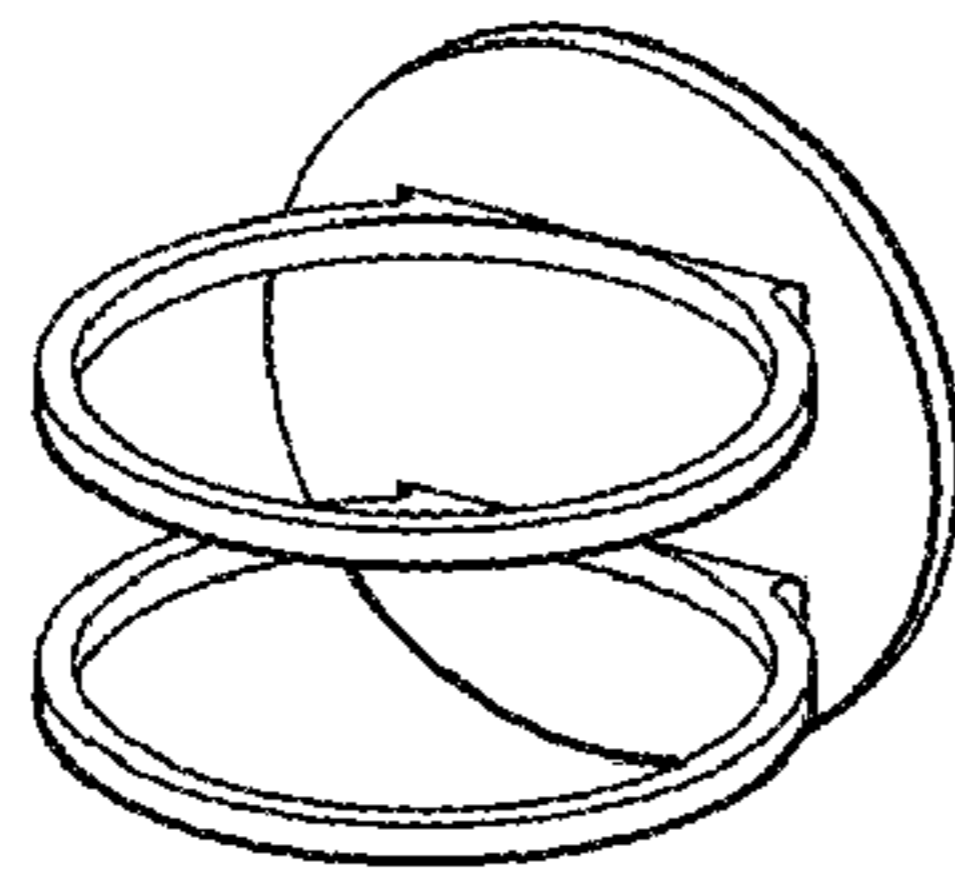


FIG. 3

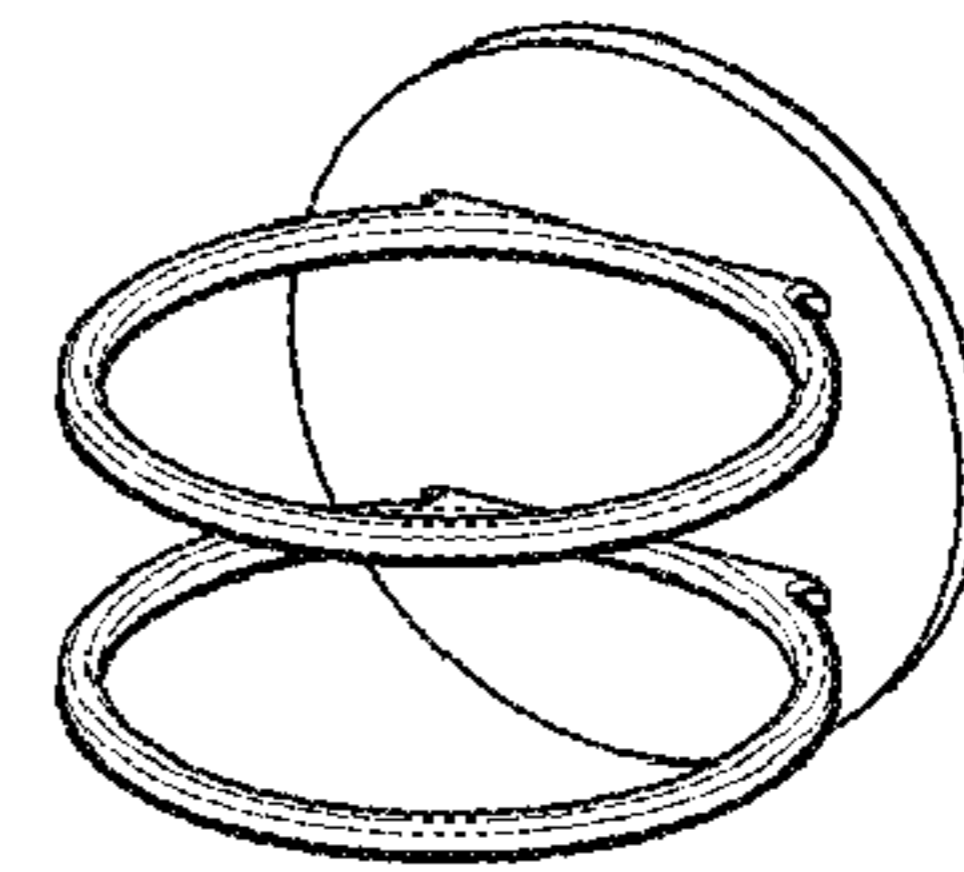


FIG. 4

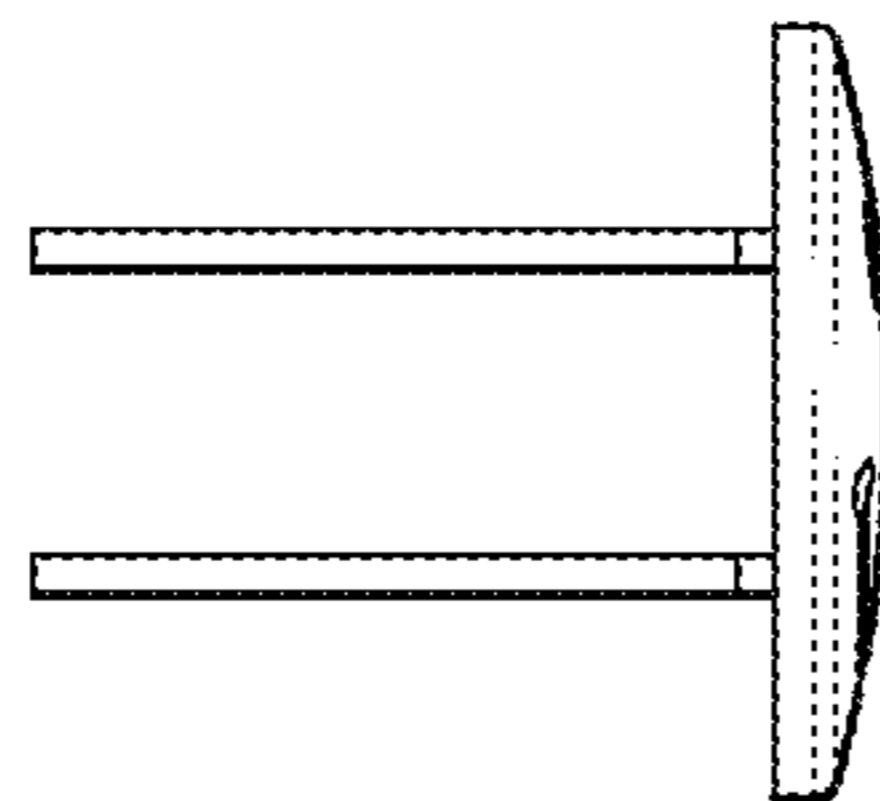


FIG. 5

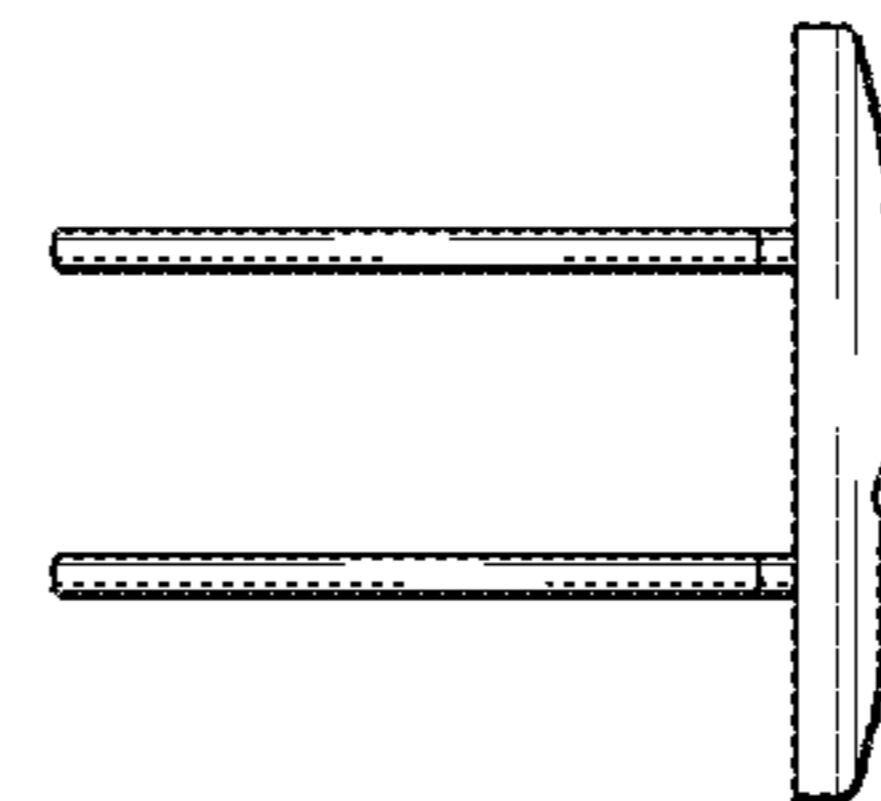


FIG. 6

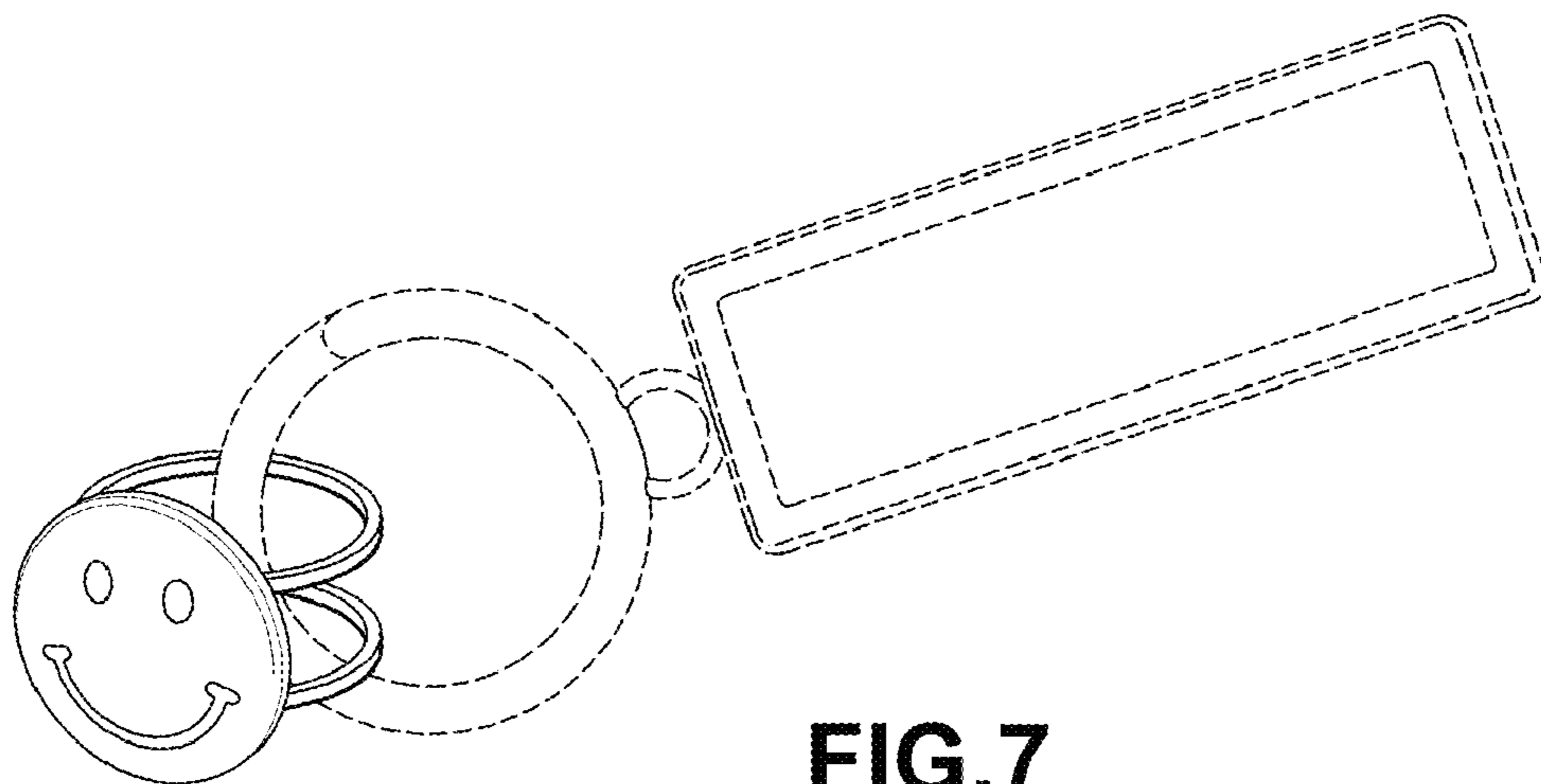


FIG. 7

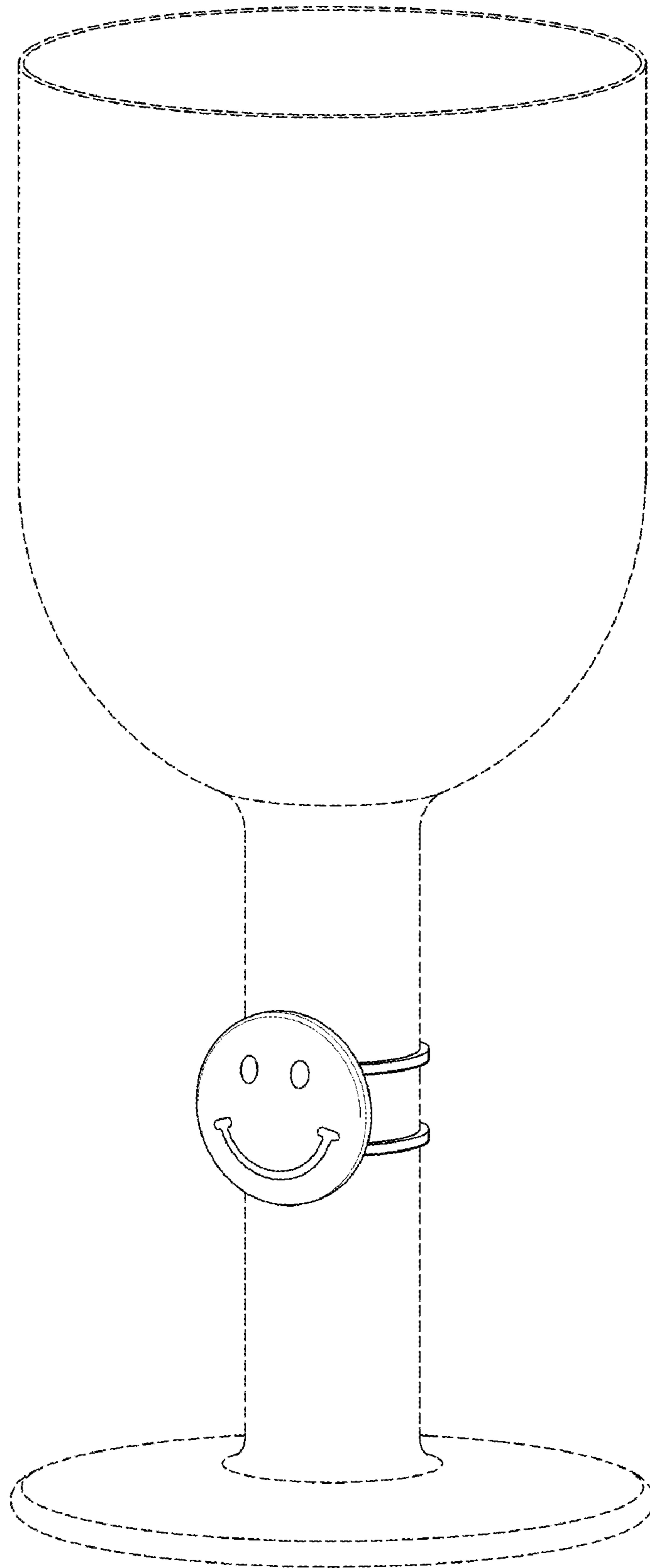


FIG.8

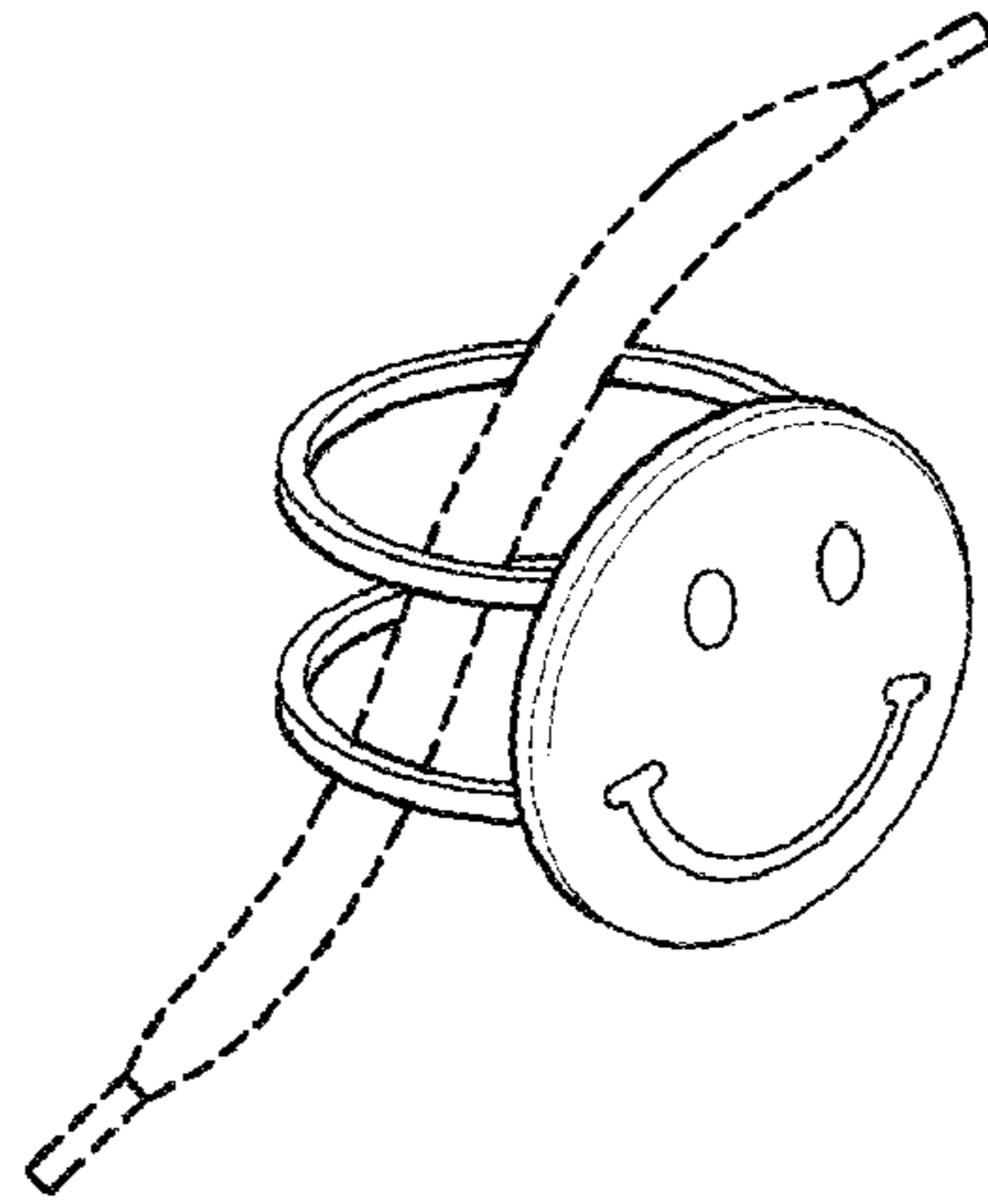


FIG. 9

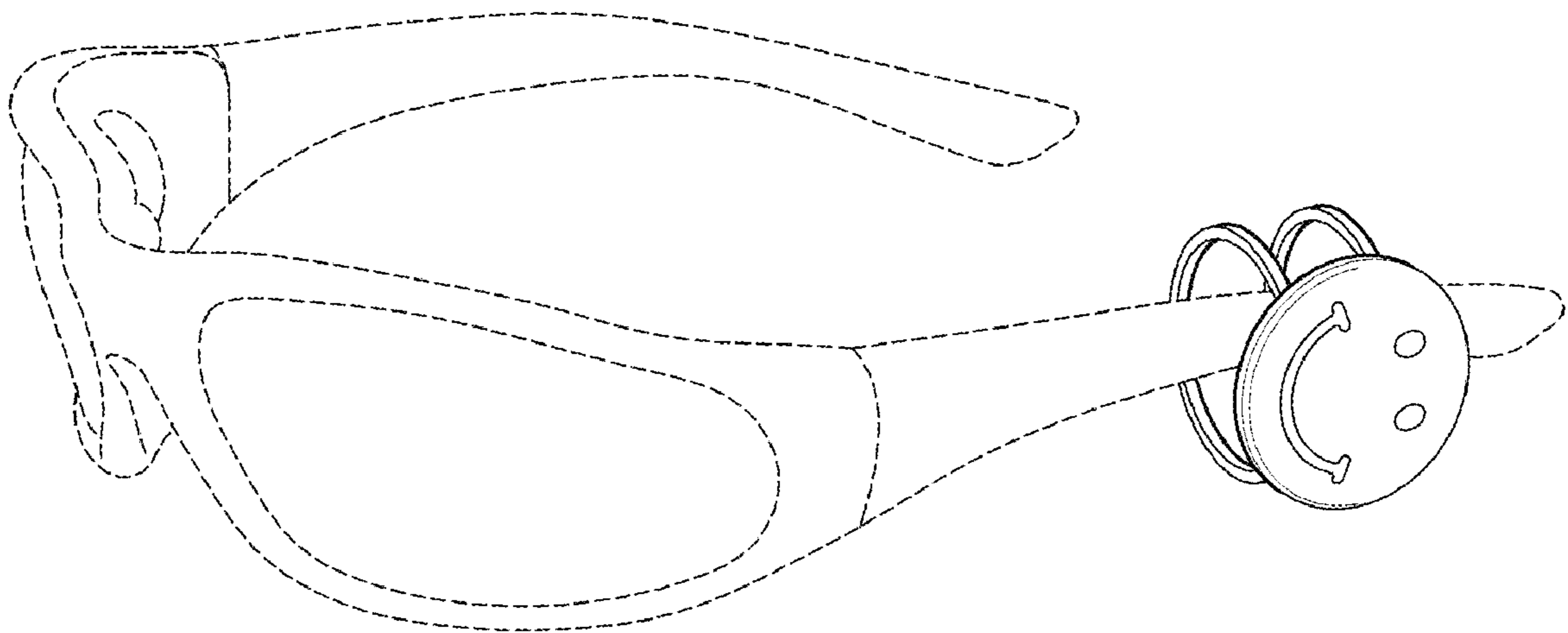


FIG. 10