



US00D676776S

(12) **United States Design Patent**  
**Williams**

(10) **Patent No.:** **US D676,776 S**

(45) **Date of Patent:** **\*\* \*Feb. 26, 2013**

(54) **BAND**

(76) Inventor: **Janae Williams**, Kirkland, WA (US)

(\*) Notice: This patent is subject to a terminal disclaimer.

(\*\*) Term: **14 Years**

(21) Appl. No.: **29/419,520**

(22) Filed: **Apr. 29, 2012**

(51) **LOC (9) Cl.** ..... **11-01**

(52) **U.S. Cl.** ..... **D11/26**

(58) **Field of Classification Search** ..... D11/14,  
D11/26, 27, 28, 29, 30, 31, 32, 55, 83, 101,  
D11/136, 160, 240; D19/41-51, 54; D21/384,  
D21/386, 390, 630, 812; 63/15, 15.1  
See application file for complete search history.

(56) **References Cited**

U.S. PATENT DOCUMENTS

D229,901	S	*	1/1974	Crowley	.....	D11/224
D232,061	S	*	7/1974	Christiansen	.....	D11/224
3,839,821	A	*	10/1974	Forsman	.....	446/28
D303,450	S	*	9/1989	Concepcion et al.	.....	D1/109
D308,948	S	*	7/1990	Anderson	.....	D11/30
D352,012	S	*	11/1994	Ondracek	.....	D11/101
D391,864	S	*	3/1998	Wright et al.	.....	D10/31
D397,621	S	*	9/1998	Wright et al.	.....	D10/31
D414,075	S	*	9/1999	Mishan	.....	D7/410
5,989,093	A	*	11/1999	Nelson et al.	.....	446/220
D438,271	S	*	2/2001	Wall	.....	D21/714
D444,611	S	*	7/2001	Wolfe et al.	.....	D1/109
D464,584	S	*	10/2002	Tsukayama	.....	D11/81
6,582,272	B1	*	6/2003	Nelson et al.	.....	446/220
D476,686	S	*	7/2003	Johnson	.....	D19/65
D515,729	S	*	2/2006	Haywood	.....	D27/106
D517,273	S	*	3/2006	Harrington et al.	.....	D1/109
D520,078	S	*	5/2006	Pollack	.....	D21/453
D557,166	S	*	12/2007	Wysopal	.....	D11/26
D558,081	S	*	12/2007	Minoli	.....	D11/26
D629,114	S	*	12/2010	Masini	.....	D24/189
7,850,506	B2	*	12/2010	Nelson et al.	.....	446/220
D650,966	S	*	12/2011	Maher	.....	D1/107

D657,000	S	*	4/2012	Nelson et al.	.....	D21/453
2004/0161289	A1	*	8/2004	Silberman	.....	401/195
2008/0034791	A1	*	2/2008	Arcadi	.....	63/15
2008/0241326	A1	*	10/2008	Ekberg	.....	426/512

\* cited by examiner

*Primary Examiner* — Elizabeth Albert

(74) *Attorney, Agent, or Firm* — James M Smedley LLC;  
James M. Smedley, Esq.

(57) **CLAIM**

I claim the ornamental design for a band, as shown and described.

**DESCRIPTION**

FIG. 1 is a perspective view of the band showing a first embodiment of my new design;

FIG. 2 is a front perspective view of a second embodiment of the band;

FIG. 3 is a rear perspective view of the first embodiment shown in FIG. 1;

FIG. 4 is a rear perspective view of the second embodiment shown in FIG. 2;

FIG. 5 is a side view of the first embodiment shown in FIG. 1;

FIG. 6 is a side view of the second embodiment shown in FIG. 2;

FIG. 7 is a another perspective view of the first embodiment shown in FIG. 1 in use;

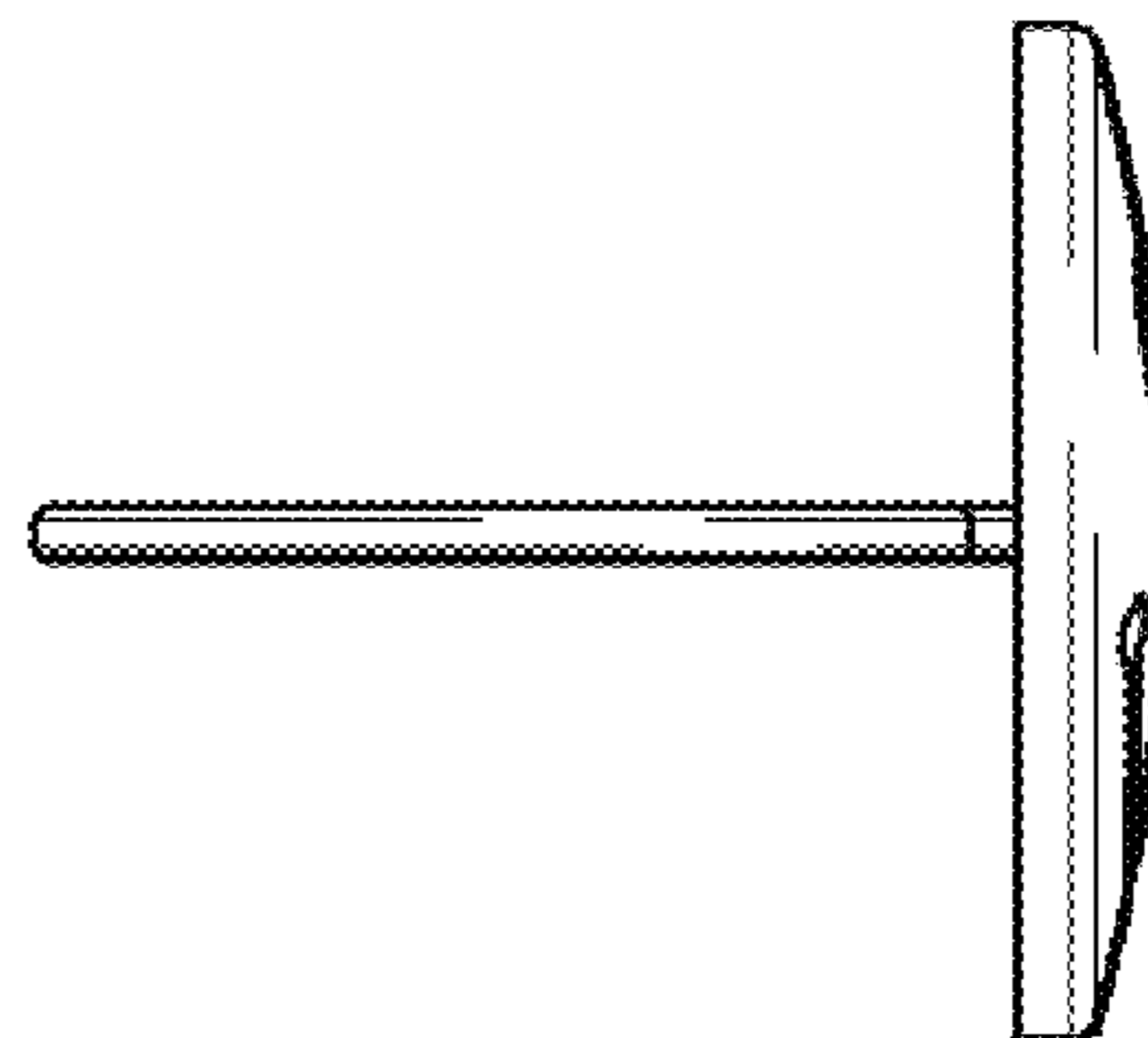
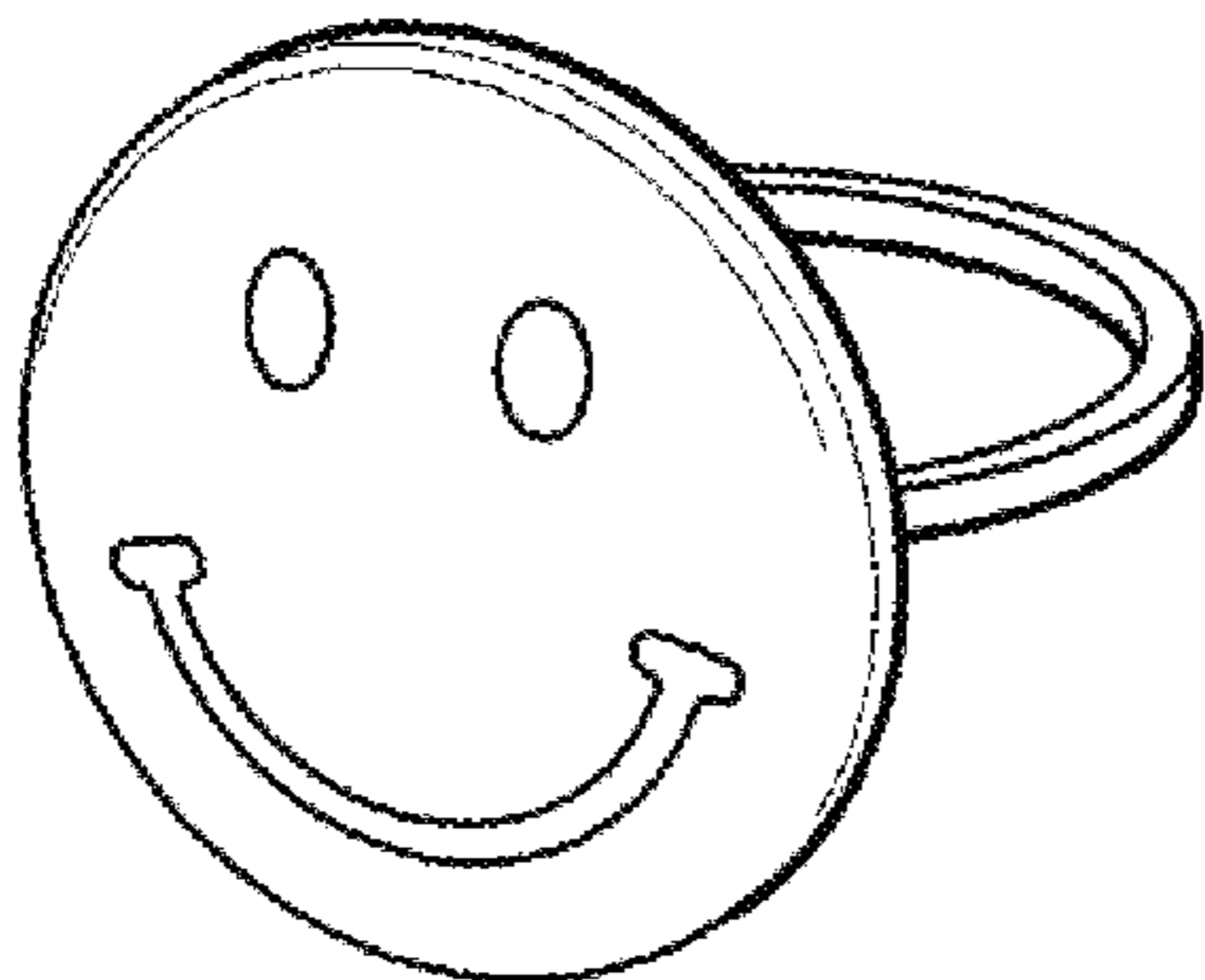
FIG. 8 is a still another perspective view of the first embodiment shown in FIG. 1 in use;

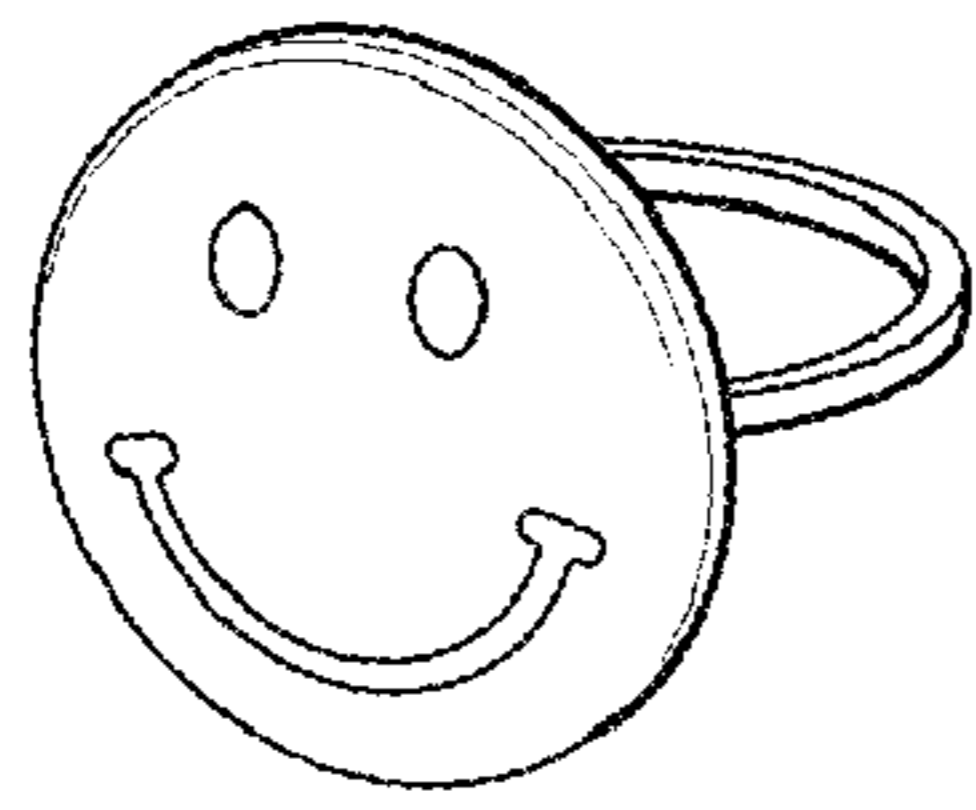
FIG. 9 is a still another perspective view of the first embodiment shown in FIG. 1 in use; and,

FIG. 10 is a still another perspective view of the first embodiment shown in FIG. 1 in use.

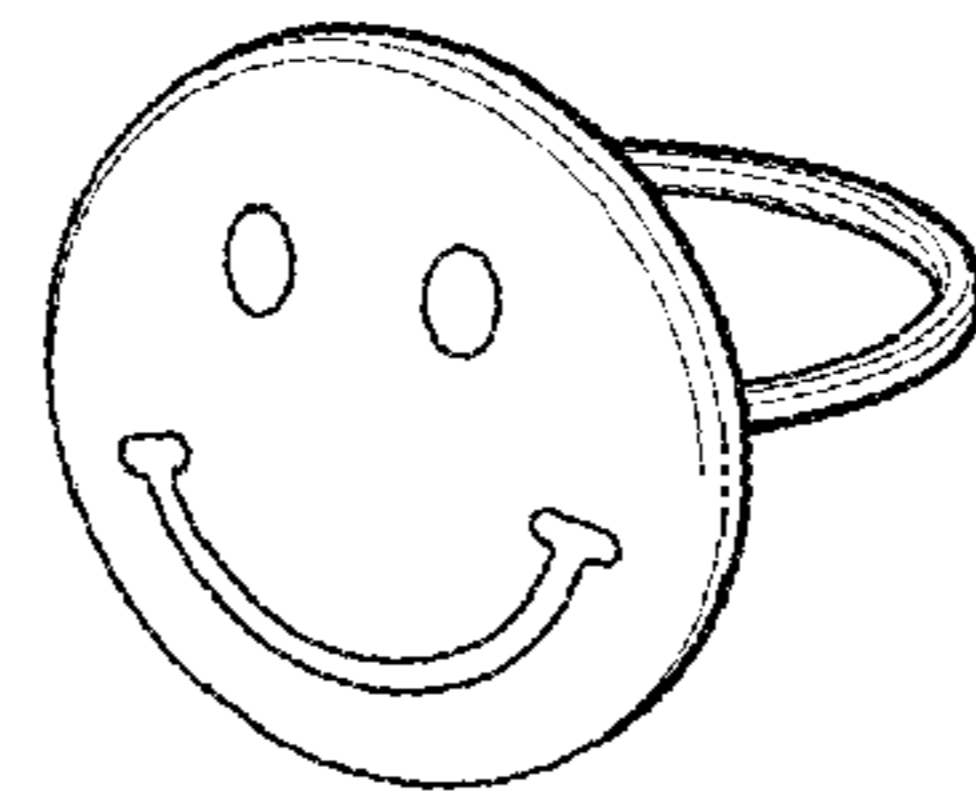
The broken lines in FIG. 7 showing a key chain, in FIG. 8 showing a goblet, in FIG. 9 showing a shoelace and in FIG. 10 showing a pair of eyeglasses are included for the purpose of showing environmental articles and form no part of the claimed design.

**1 Claim, 3 Drawing Sheets**

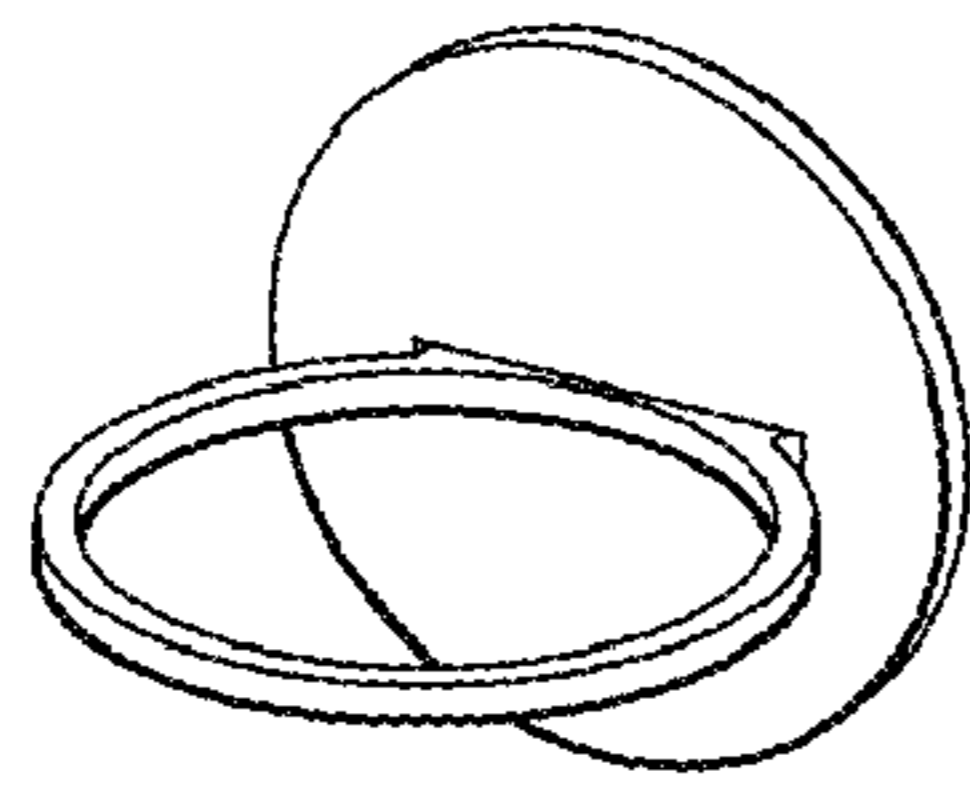




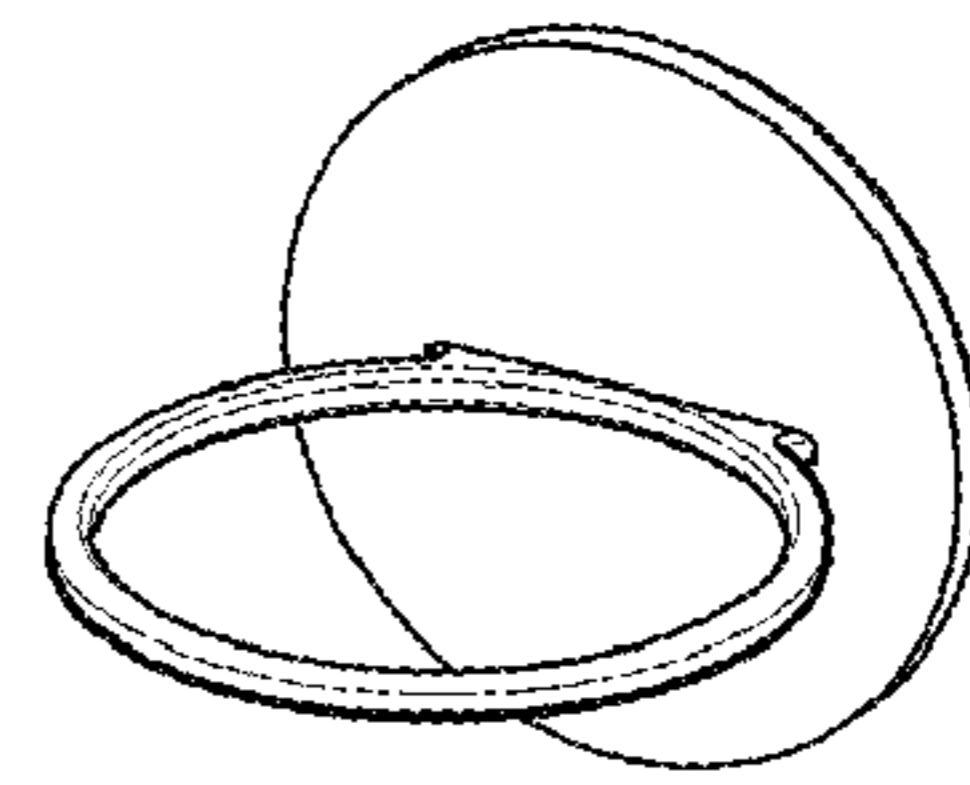
**FIG. 1**



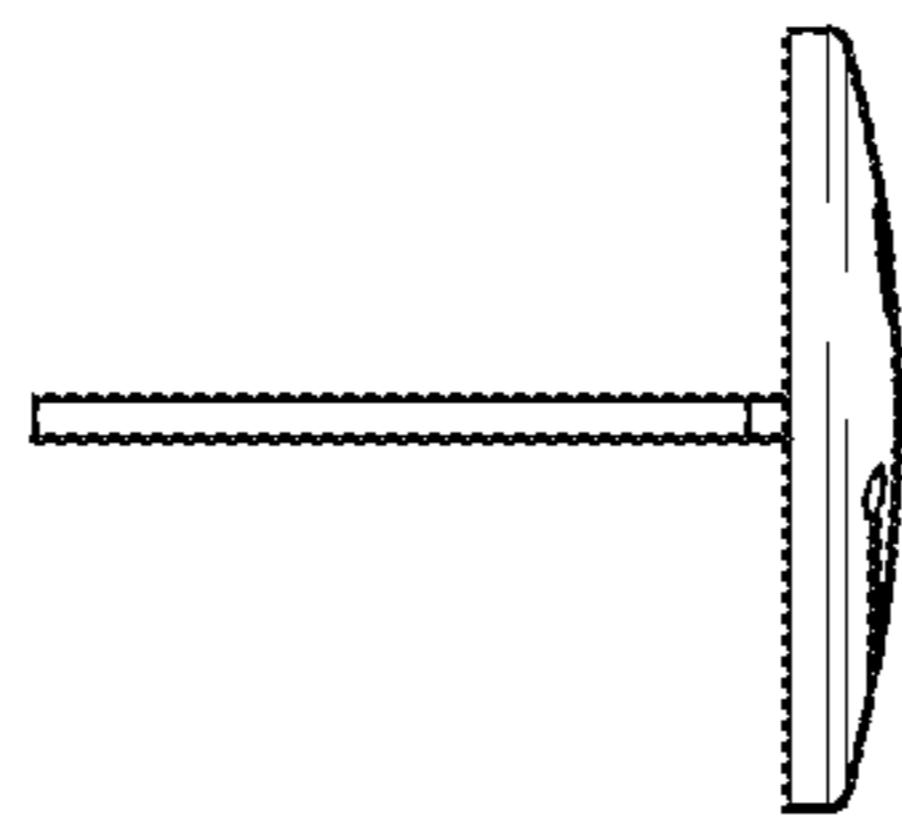
**FIG. 2**



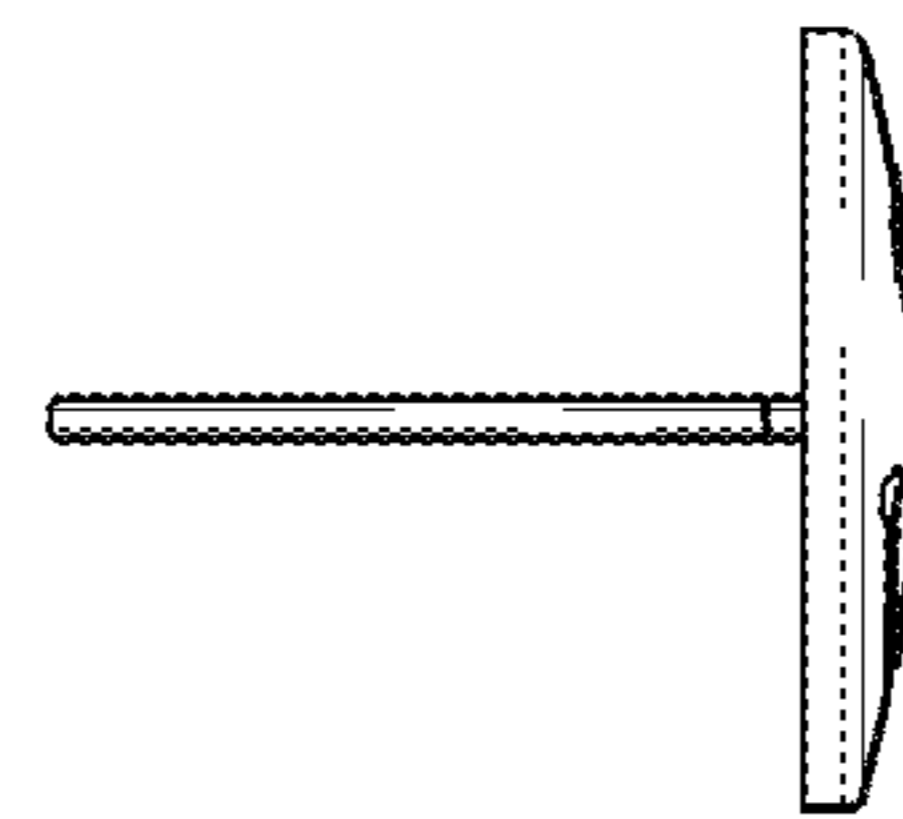
**FIG. 3**



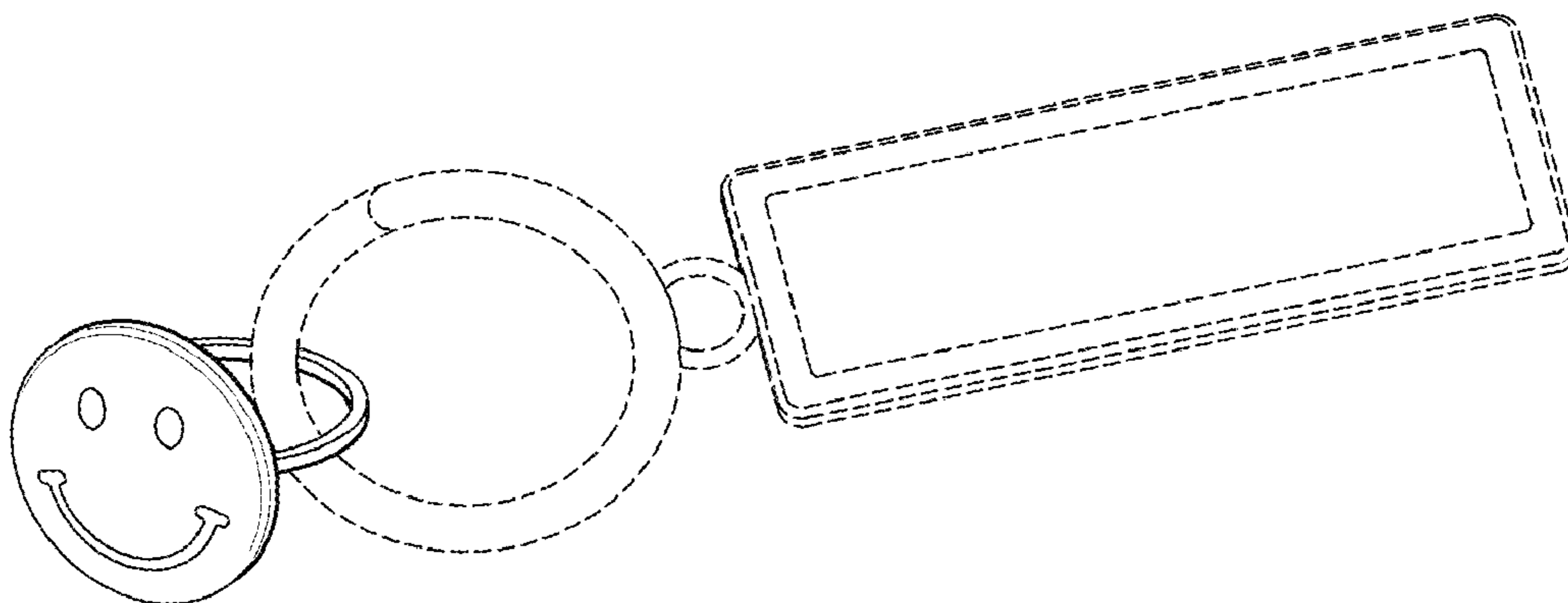
**FIG. 4**



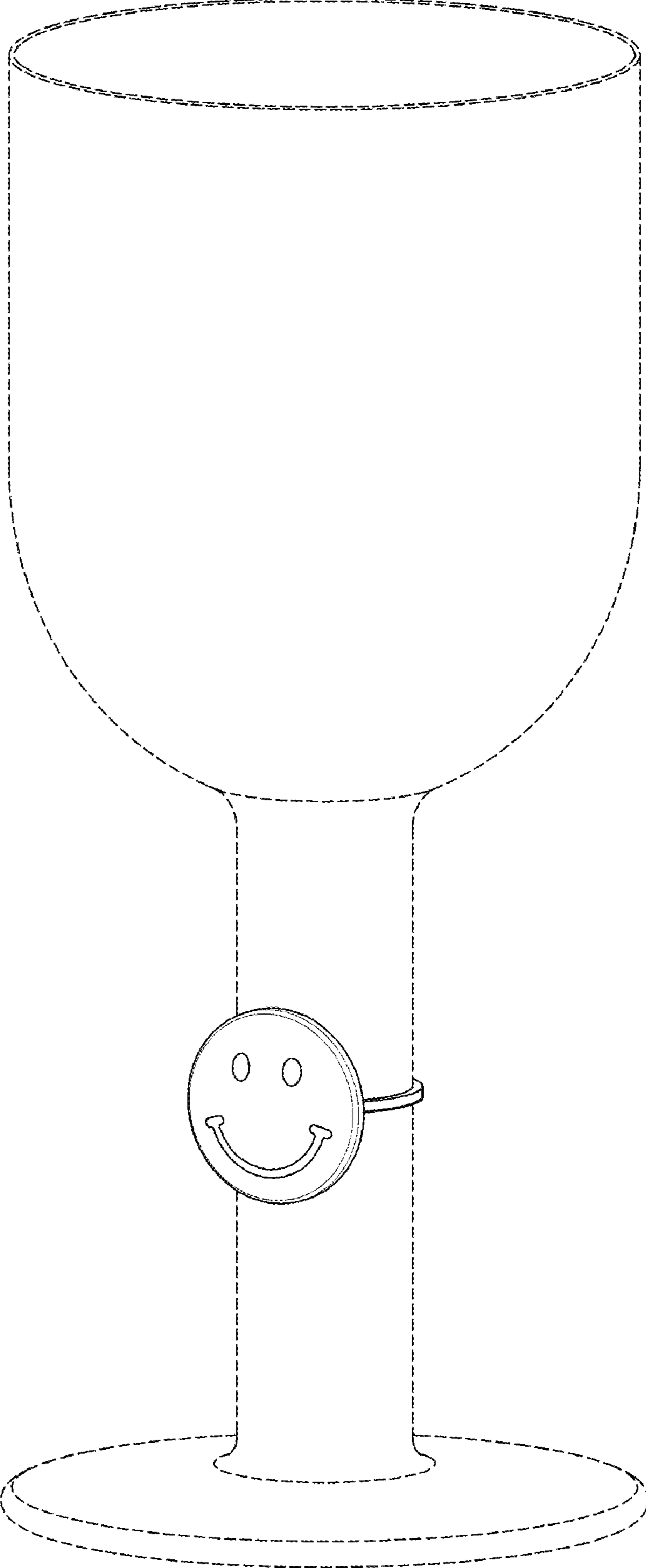
**FIG. 5**



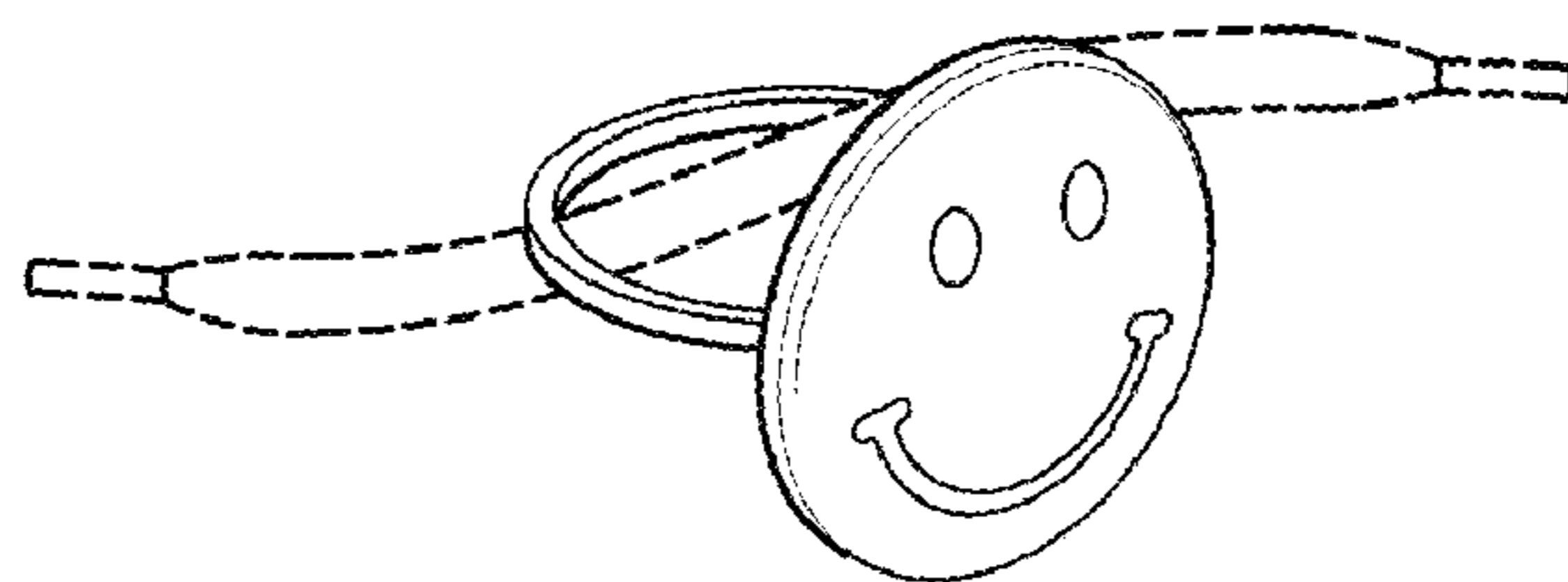
**FIG. 6**



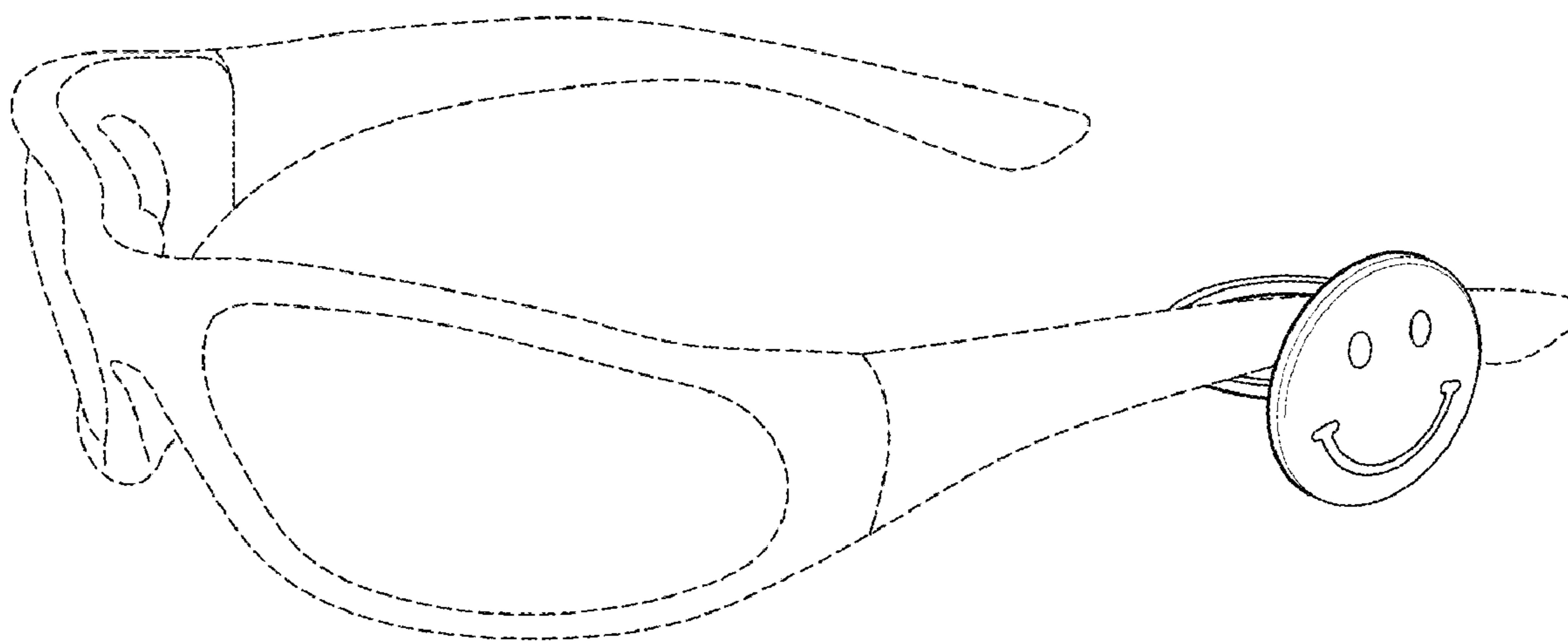
**FIG. 7**



**FIG.8**



**FIG. 9**



**FIG. 10**