



US00D676774S

(12) **United States Design Patent**
Ten Wolde

(10) **Patent No.:** **US D676,774 S**

(45) **Date of Patent:** **** Feb. 26, 2013**

(54) **SAFETY/EMERGENCY LIGHTING APPARATUS**

D618,123 S * 6/2010 Luscombe et al. D10/114.1
7,791,496 B2 * 9/2010 Anderson et al. 340/691.1
D632,654 S * 2/2011 Davidson et al. D13/152

(75) Inventor: **Michel Robert Ten Wolde**, The Hague (NL)

* cited by examiner

(73) Assignee: **Nodazzle Holding BV**, The Hague (NL)

Primary Examiner — George D Kirschbaum

(**) Term: **14 Years**

(74) *Attorney, Agent, or Firm* — Jordan IP Law, LLC; Todd A. Vaughn

(21) Appl. No.: **29/394,141**

(57) **CLAIM**

(22) Filed: **Jun. 14, 2011**

The ornamental design for a safety/emergency lighting apparatus, as shown.

(30) **Foreign Application Priority Data**

DESCRIPTION

Dec. 14, 2010 (EM) 001793621-0002

(51) **LOC (9) Cl.** **10-05**

(52) **U.S. Cl.** **D10/114.2**

(58) **Field of Classification Search** D10/114.1,
D10/114.2, 114.8, 113.1; D26/30, 31, 37,
D26/72; 404/9-16; 362/40, 414, 431, 308,
362/327, 183-208; D13/139.3, 152

See application file for complete search history.

FIG. 1 illustrates a perspective view of a safety/emergency lighting apparatus.

FIG. 2 illustrates an inverted front plan view of the safety/emergency lighting apparatus thereof.

FIG. 3 illustrates a side elevation view thereof.

FIG. 4 illustrates a top plan view thereof.

FIG. 5 illustrates an opposite side elevation view thereof.

FIG. 6 illustrates a bottom plan view thereof; and,

FIG. 7 illustrates a front plan view thereof.

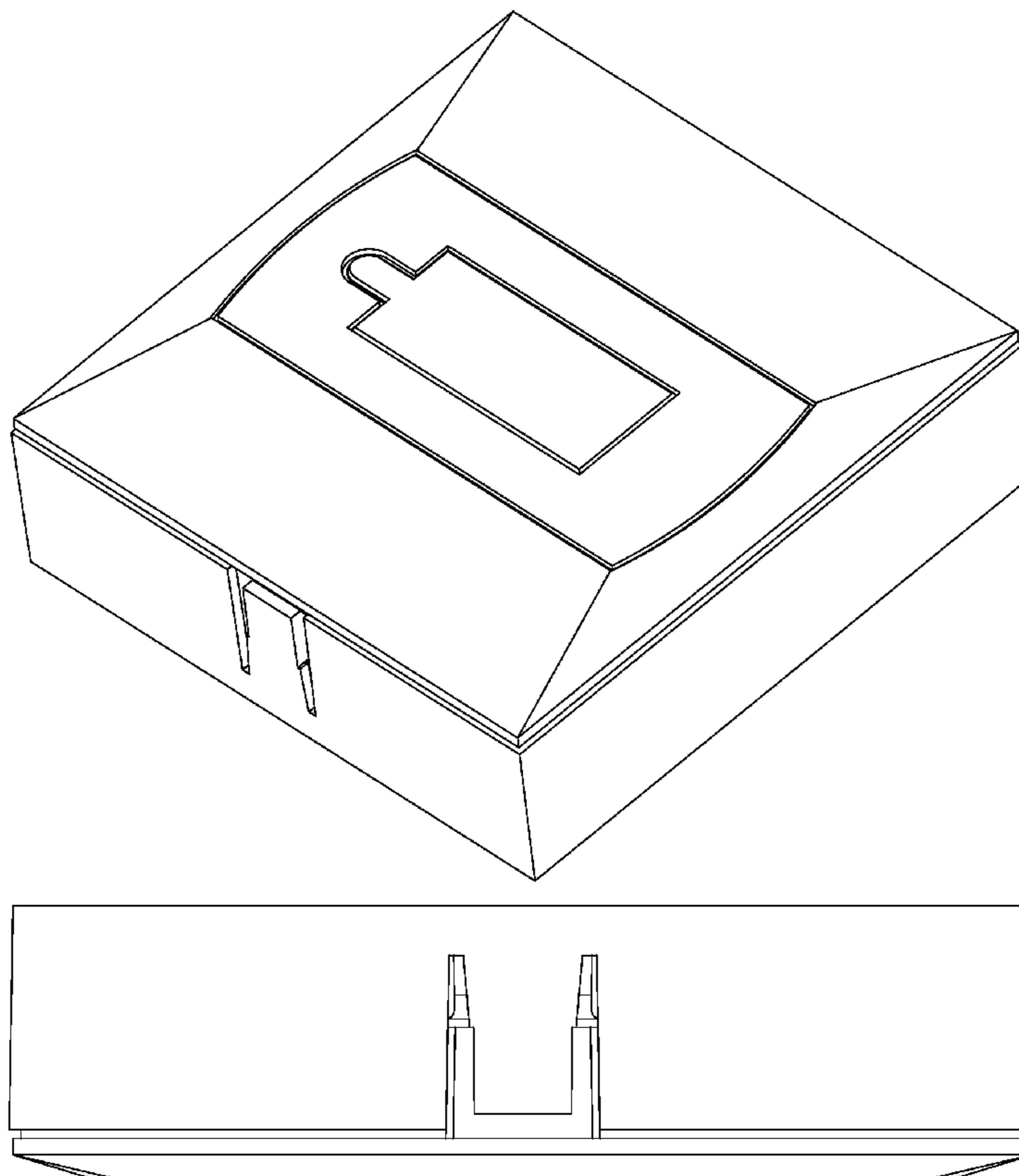
The broken line showing of openings and mounting elements is included for the purpose of illustrating portions of the "article" and forms no part of the claimed design.

(56) **References Cited**

U.S. PATENT DOCUMENTS

D565,447 S * 4/2008 Horng D10/113.1
D569,755 S * 5/2008 Humble et al. D10/113.1

1 Claim, 7 Drawing Sheets



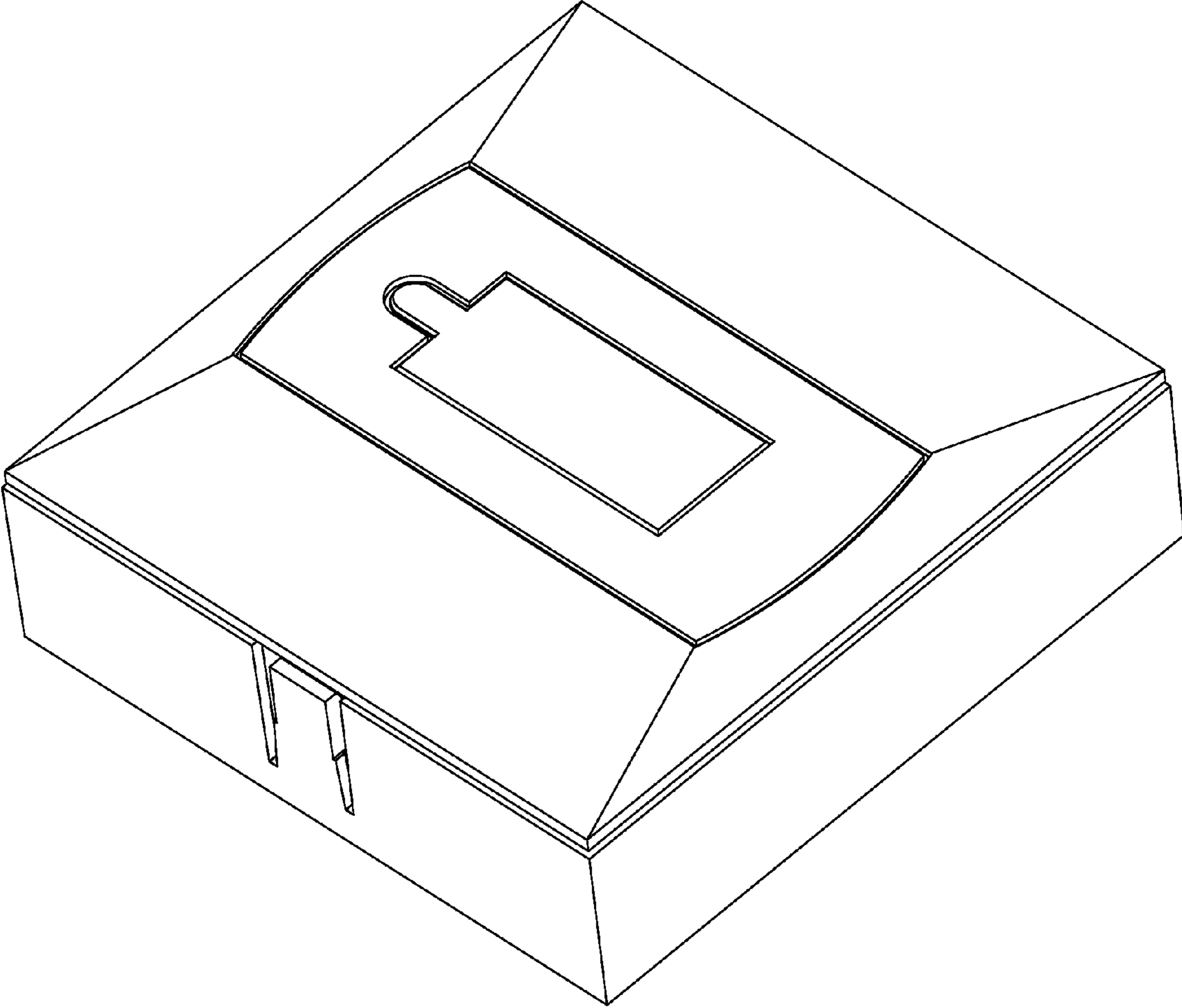


FIG.1

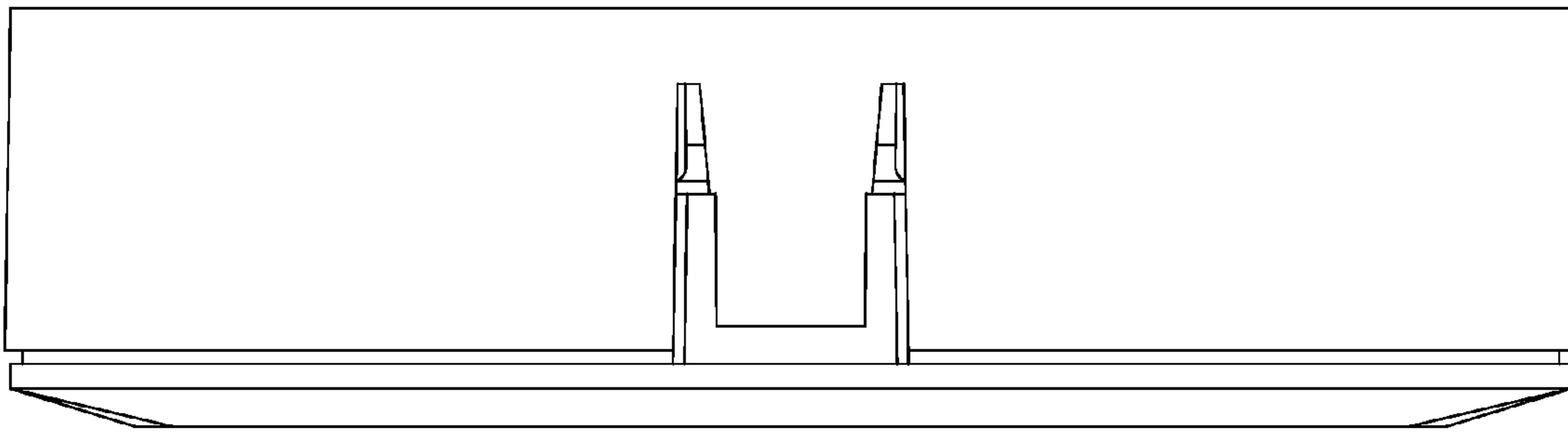


FIG.2

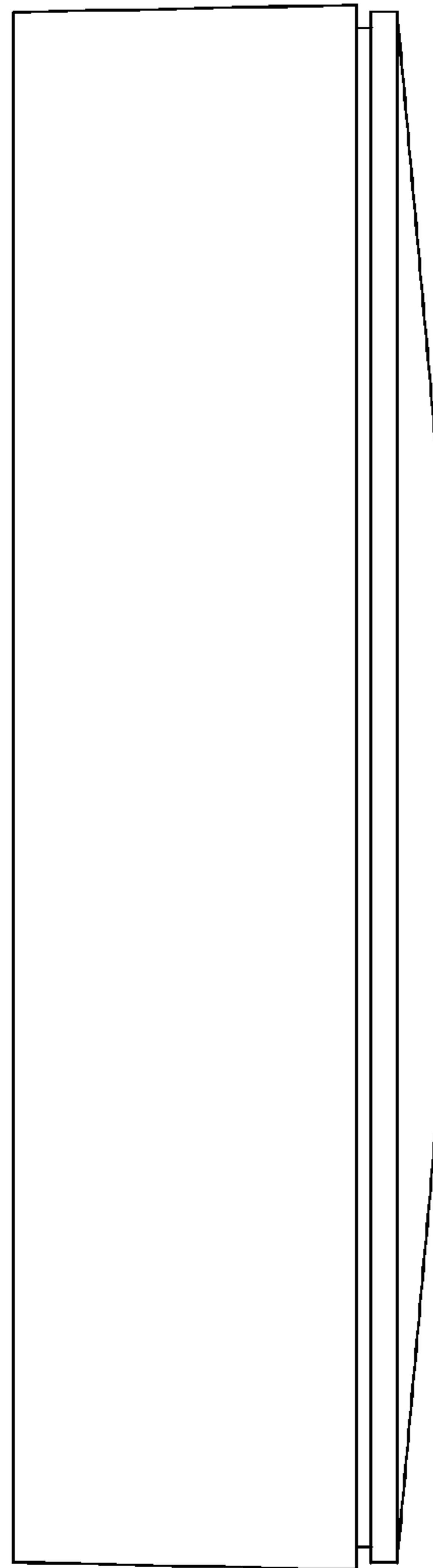


FIG.3

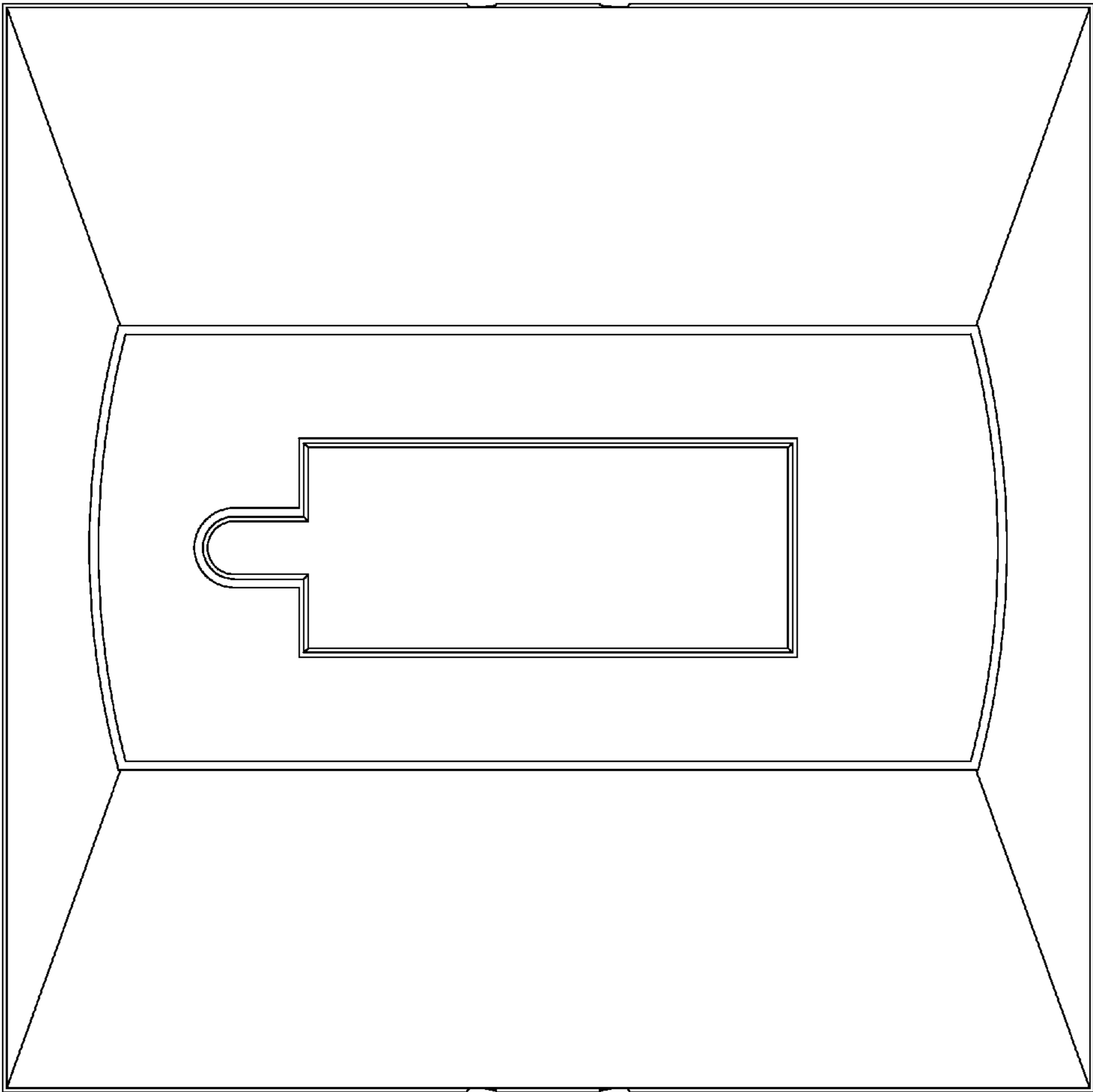


FIG.4

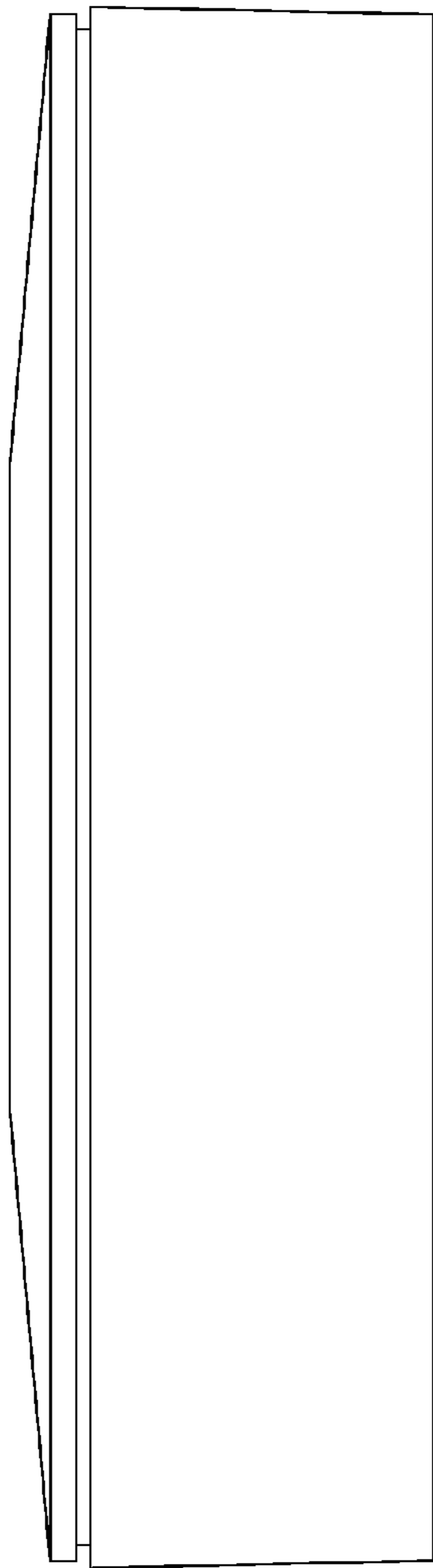


FIG.5

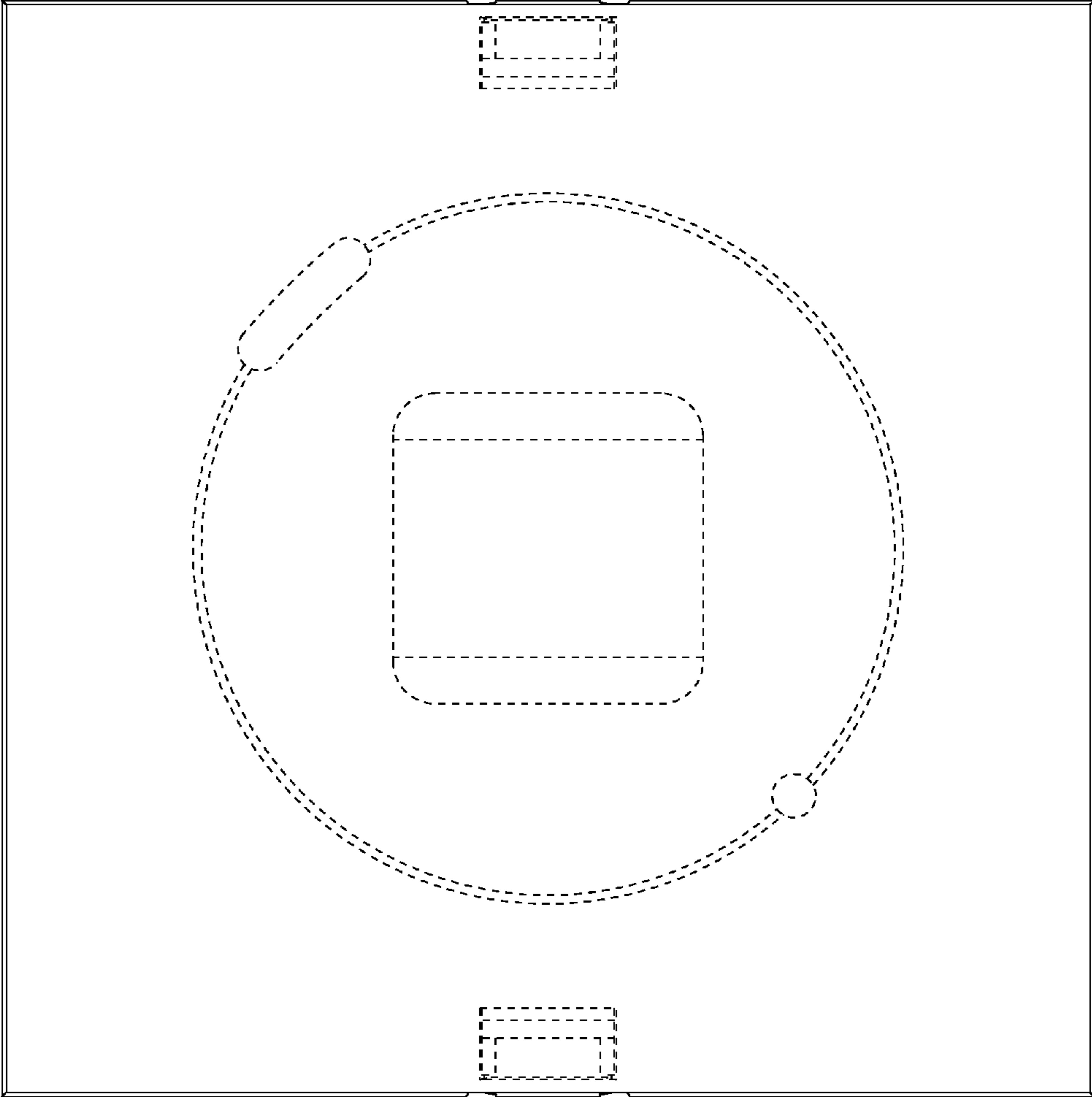


FIG.6

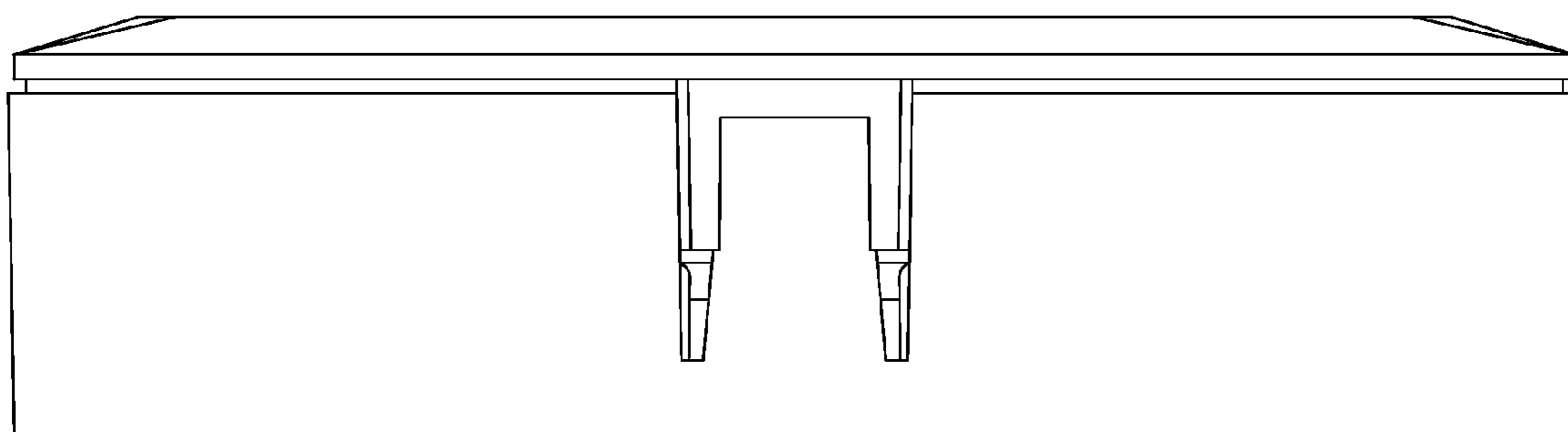


FIG.7