



US00D676772S

(12) **United States Design Patent**
Williamson et al.

(10) **Patent No.:** **US D676,772 S**
(45) **Date of Patent:** **** Feb. 26, 2013**

(54) **PORTION OF WATER METER**

(75) Inventors: **Walter Scott Williamson**, Lewisville, TX (US); **James Scott Williamson**, Denton, TX (US); **Jack Ryan Williamson**, Lewisville, TX (US); **Kevin Peter Kowalchuk**, Ontario (CA); **David James Carlos Dunn**, Ontario (CA)

(73) Assignee: **Capstone Metering LLC**, Flower Mound, TX (US)

(**) Term: **14 Years**

(21) Appl. No.: **29/431,073**

(22) Filed: **Sep. 3, 2012**

Related U.S. Application Data

(63) Continuation of application No. 29/412,211, filed on Jan. 31, 2012, now Pat. No. Des. 666,518, which is a continuation of application No. PCT/US2009/052426, filed on Jul. 31, 2009, application No. 29/431,073, which is a continuation of application No. 13/359,920, filed on Jan. 27, 2012, which is a continuation-in-part of application No. PCT/US2009/052426, which is a continuation of application No. 13/507,204, filed on Sep. 11, 2009.

(51) **LOC (9) Cl.** **10-04**

(52) **U.S. Cl.** **D10/99**

(58) **Field of Classification Search** D10/99;
73/195-203, 264, 272 R-274, 276, 861.33,
73/861.77, 861.75, 861.79; 137/343; 241/205,
241/208

See application file for complete search history.

(56) **References Cited**

U.S. PATENT DOCUMENTS

| | | |
|-------------|---------|------------------|
| D51,156 S | 8/1917 | Towle |
| D183,015 S | 6/1958 | Newbury et al. |
| 3,894,433 A | 7/1975 | Riester et al. |
| 4,237,454 A | 12/1980 | Meyer |
| 4,523,480 A | 6/1985 | Inoue |
| D348,018 S | 6/1994 | Poleshuk et al. |
| D349,252 S | 8/1994 | Hurd |
| D349,661 S | 8/1994 | DeJarlais et al. |
| D358,782 S | 5/1995 | Louwagie et al. |
| 5,655,568 A | 8/1997 | Bhargava et al. |

| | | |
|-----------------|---------|--------------------------|
| 5,659,300 A | 8/1997 | Dresselhuys et al. |
| D384,300 S | 9/1997 | Hendy |
| D469,707 S | 2/2003 | Schwartz et al. |
| D472,835 S | 4/2003 | Hendey |
| D486,409 S | 2/2004 | Grant |
| 6,789,419 B2 | 9/2004 | Hennebelle |
| 6,898,987 B1 | 5/2005 | Hayman |
| 6,931,946 B1 | 8/2005 | Hendey |
| D559,717 S | 1/2008 | Hendey |
| D560,132 S | 1/2008 | Hendey |
| D582,814 S | 12/2008 | Ball et al. |
| D583,692 S | 12/2008 | Ball et al. |
| D645,770 S | 9/2011 | Margalit et al. |
| 8,181,513 B2 * | 5/2012 | Anzai et al. 73/202 |
| 2002/0083778 A1 | 7/2002 | Hamilton |
| 2004/0261523 A1 | 12/2004 | Cognot |

FOREIGN PATENT DOCUMENTS

| | | |
|----|---------------|---------|
| EP | 1858144 A2 | 11/2007 |
| WO | WO-0107783 A1 | 2/2001 |

* cited by examiner

Primary Examiner — Antoine D Davis

(74) *Attorney, Agent, or Firm* — Winstead PC

(57) **CLAIM**

The ornamental design for portion of water meter, as shown and described.

DESCRIPTION

FIG. 1 is a side view of a portion of water meter in accordance with the design;

FIG. 2 is a top plan view of the portion of water meter in accordance with the design;

FIG. 3 is a side view of the portion of water meter in accordance with the design;

FIG. 4 is a perspective view of the portion of water meter in accordance with the design;

FIG. 5 is a top plan view of the portion of water meter in accordance with the design;

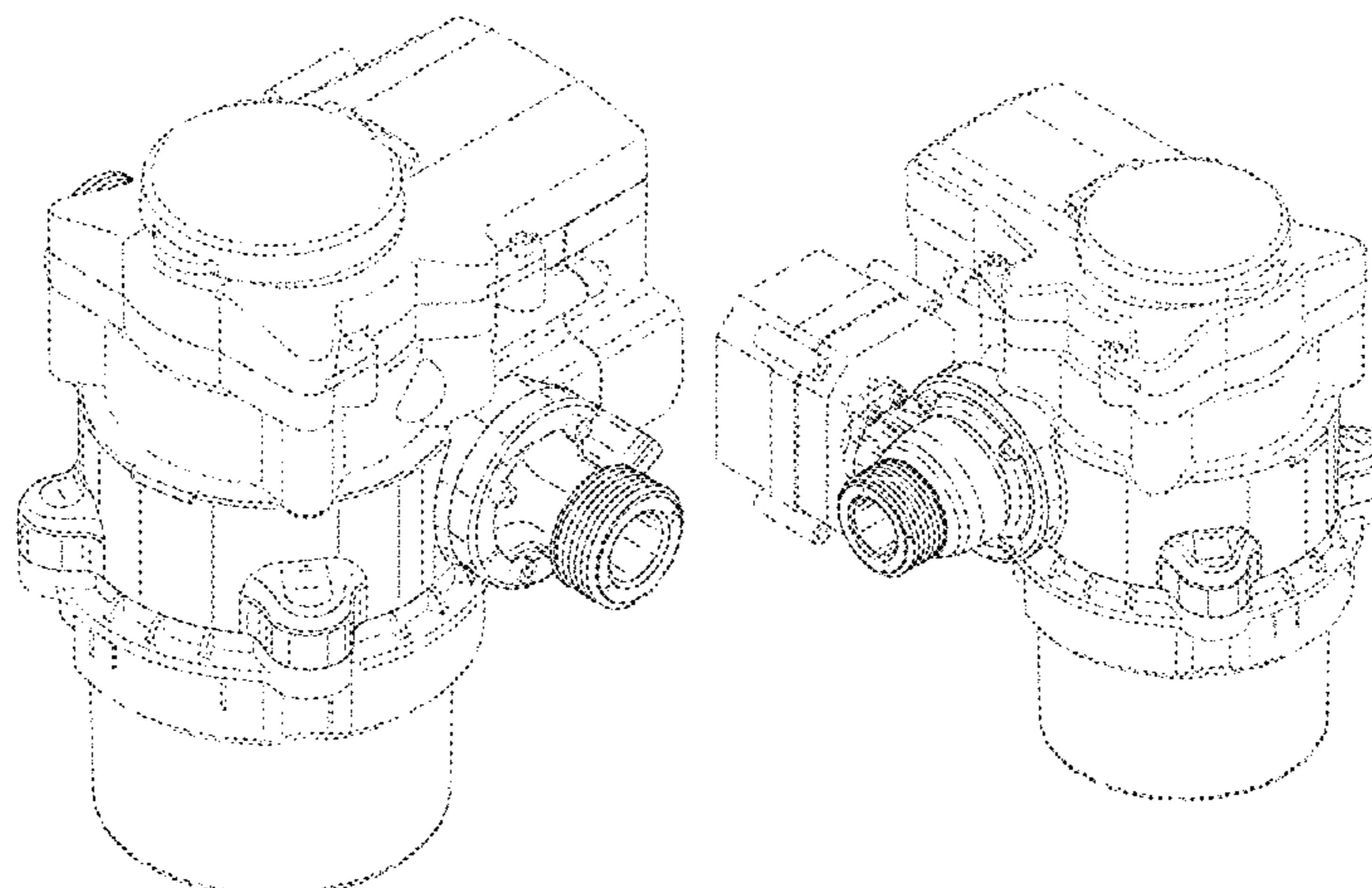
FIG. 6 is a side view of the portion of water meter in accordance with the design;

FIG. 7 is a perspective view of the portion of water meter in accordance with the design; and,

FIG. 8 is a perspective view of the portion of water meter in accordance with the design.

The broken line showing of structural features is included for the purpose of illustrating non-claimed subject matter and forms no part of the claimed design.

1 Claim, 8 Drawing Sheets



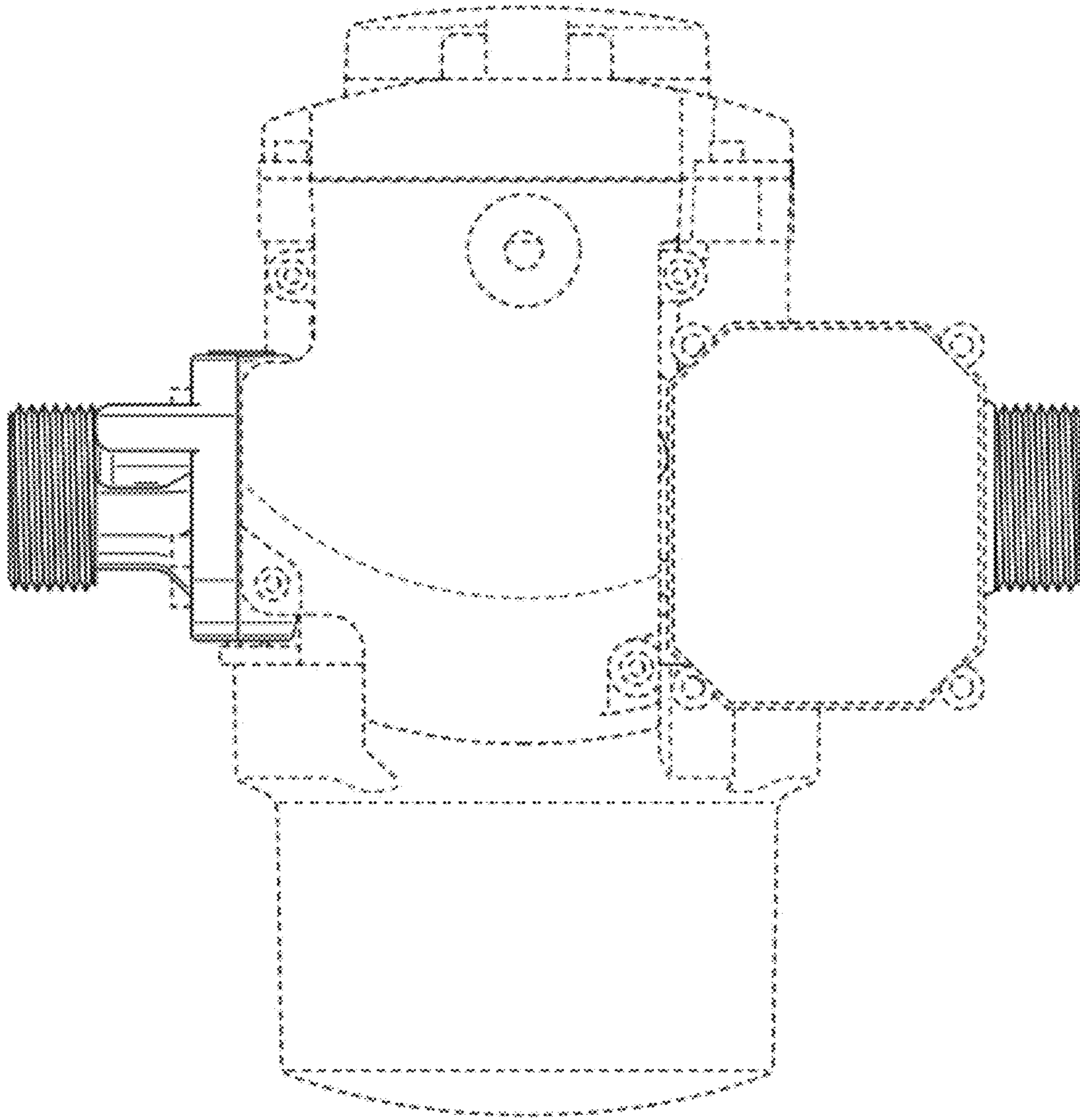


FIG. 1

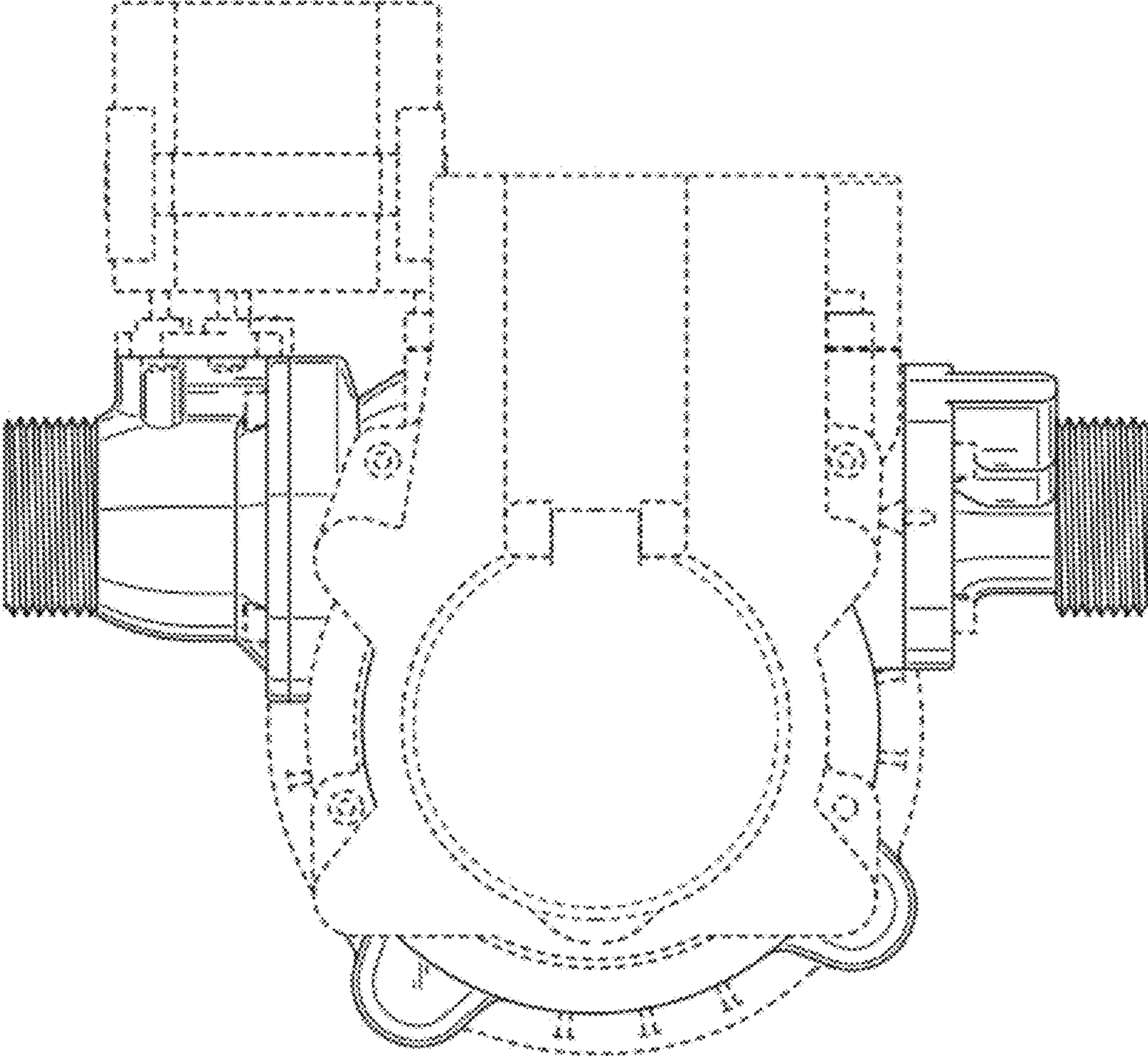


FIG. 2

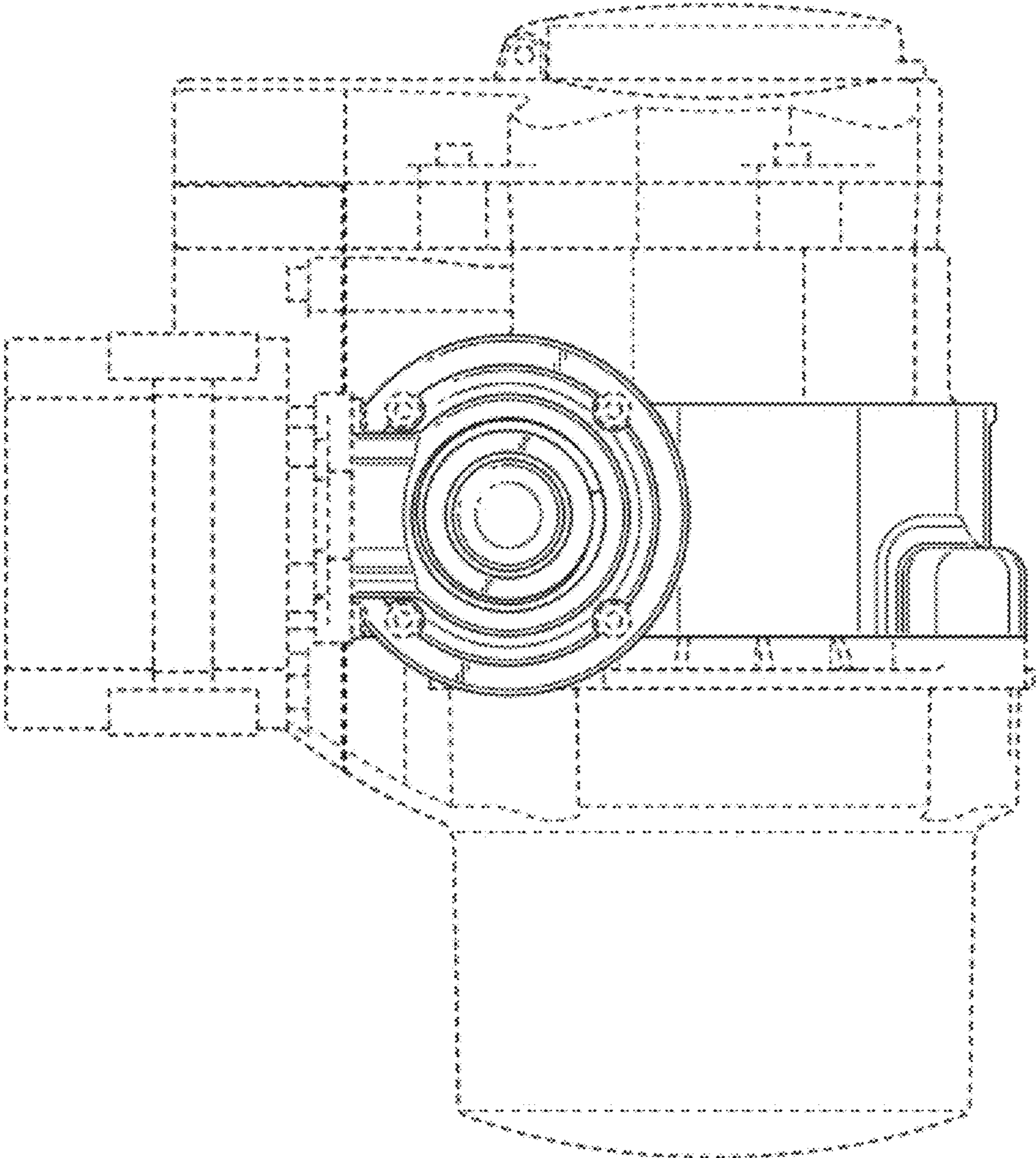


FIG. 3

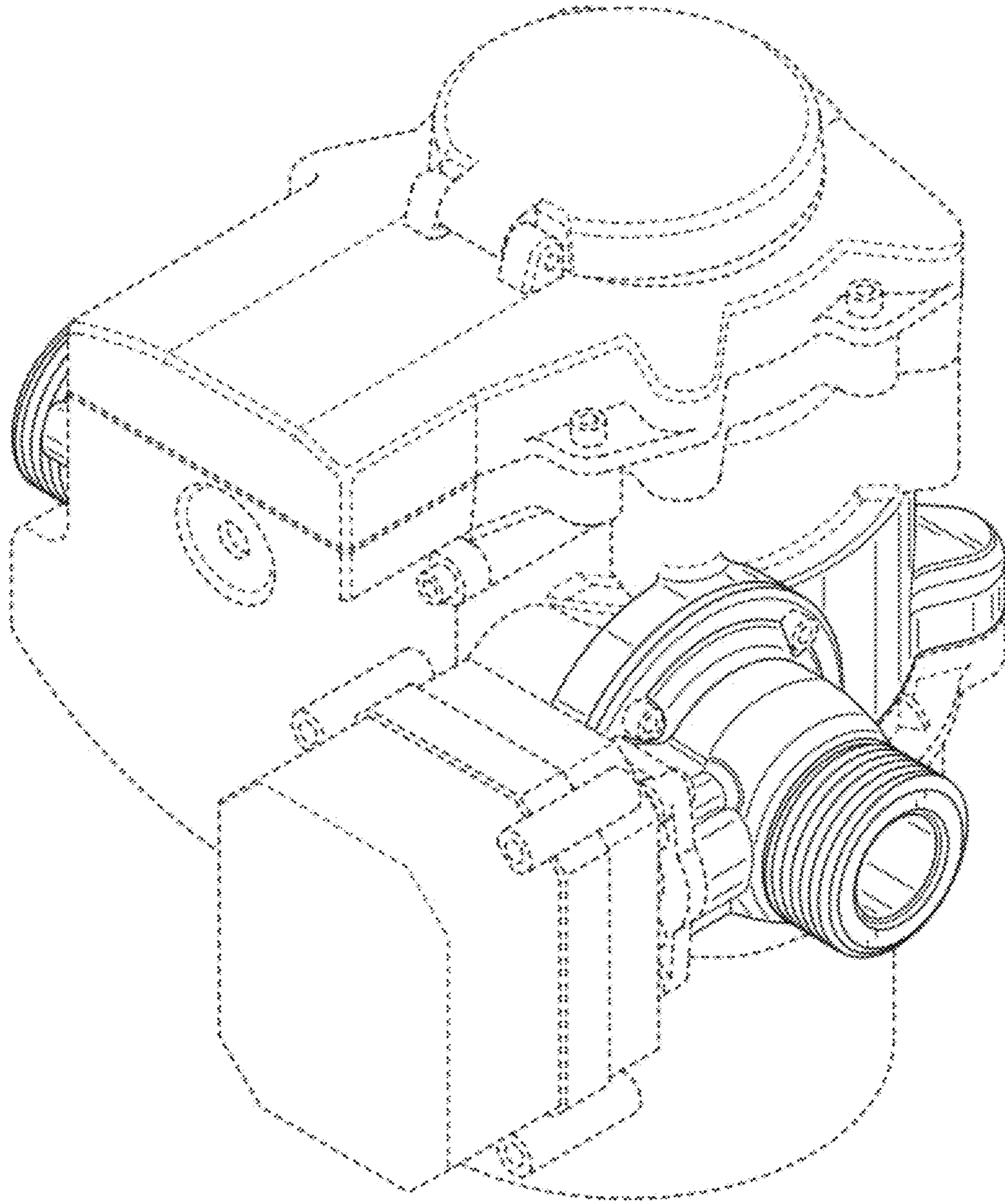


FIG. 4

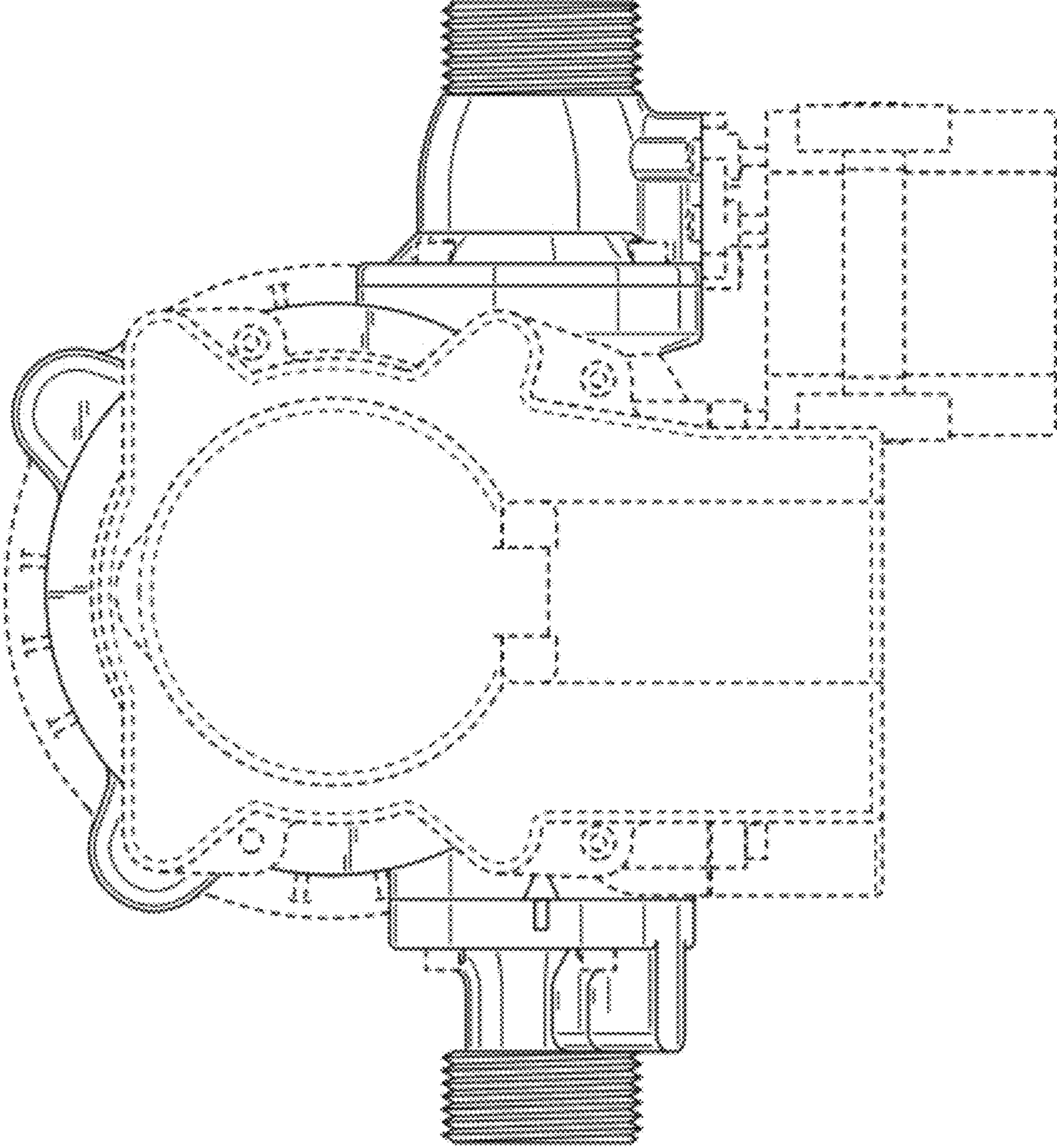


FIG. 5

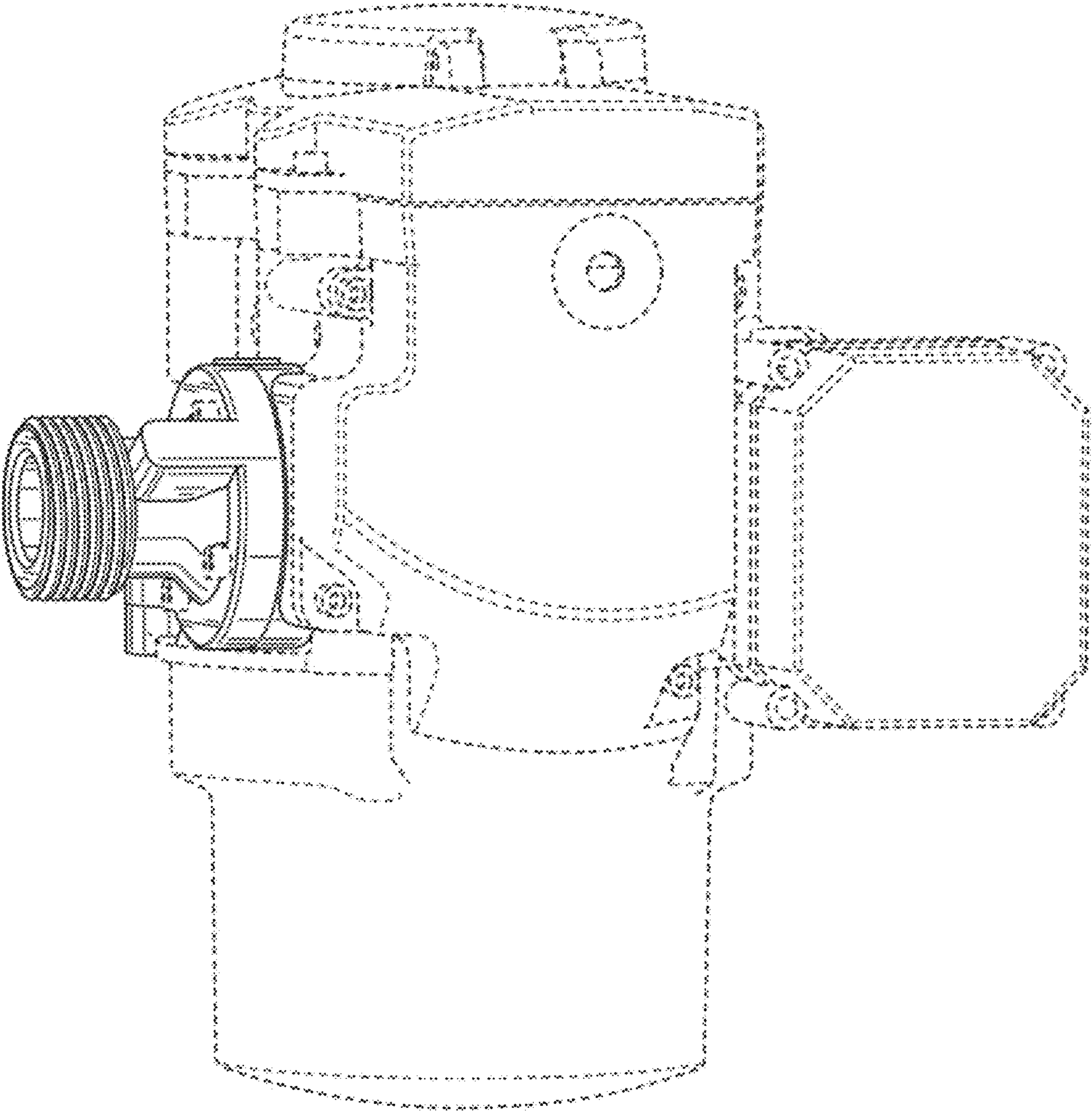


FIG. 6

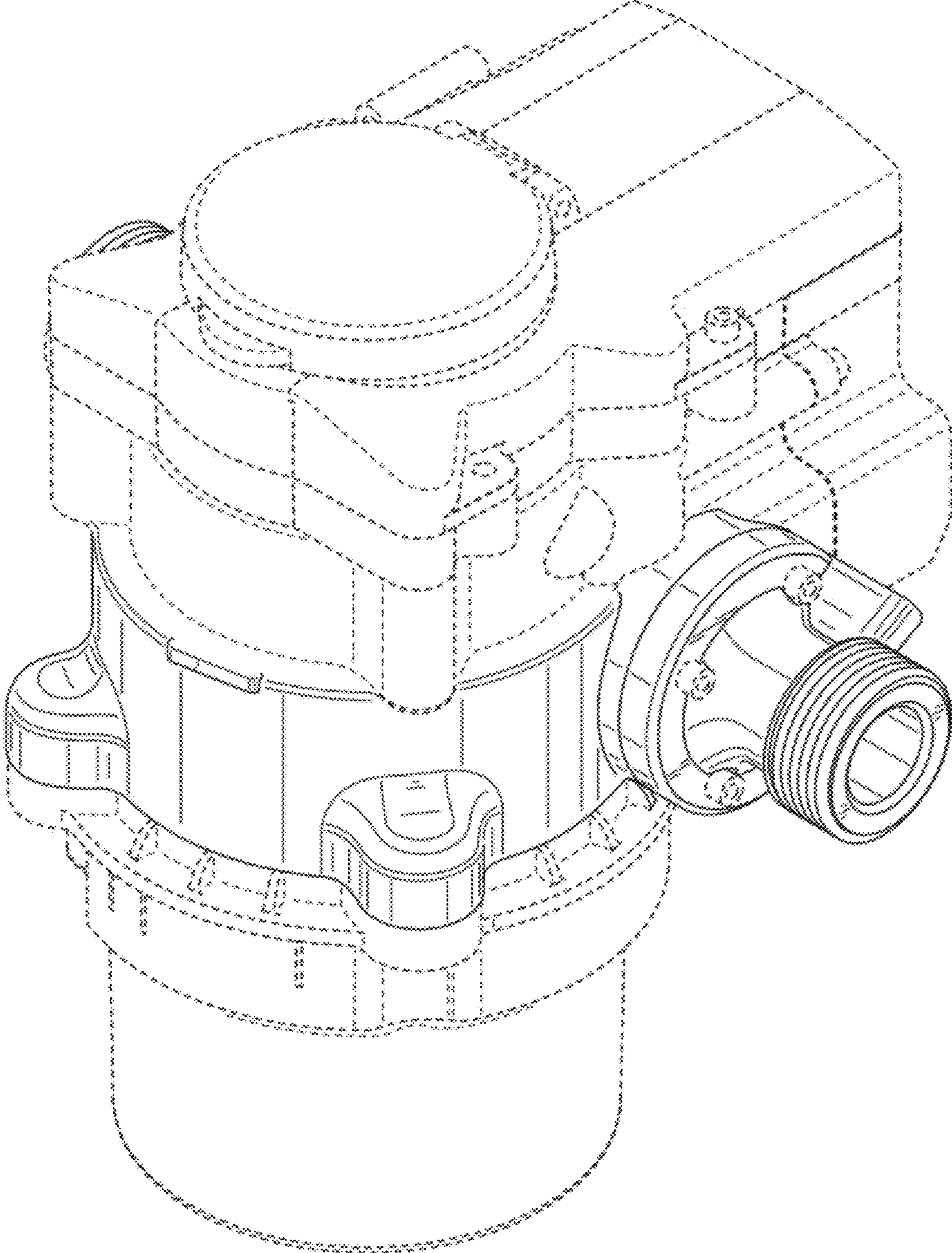


FIG. 7

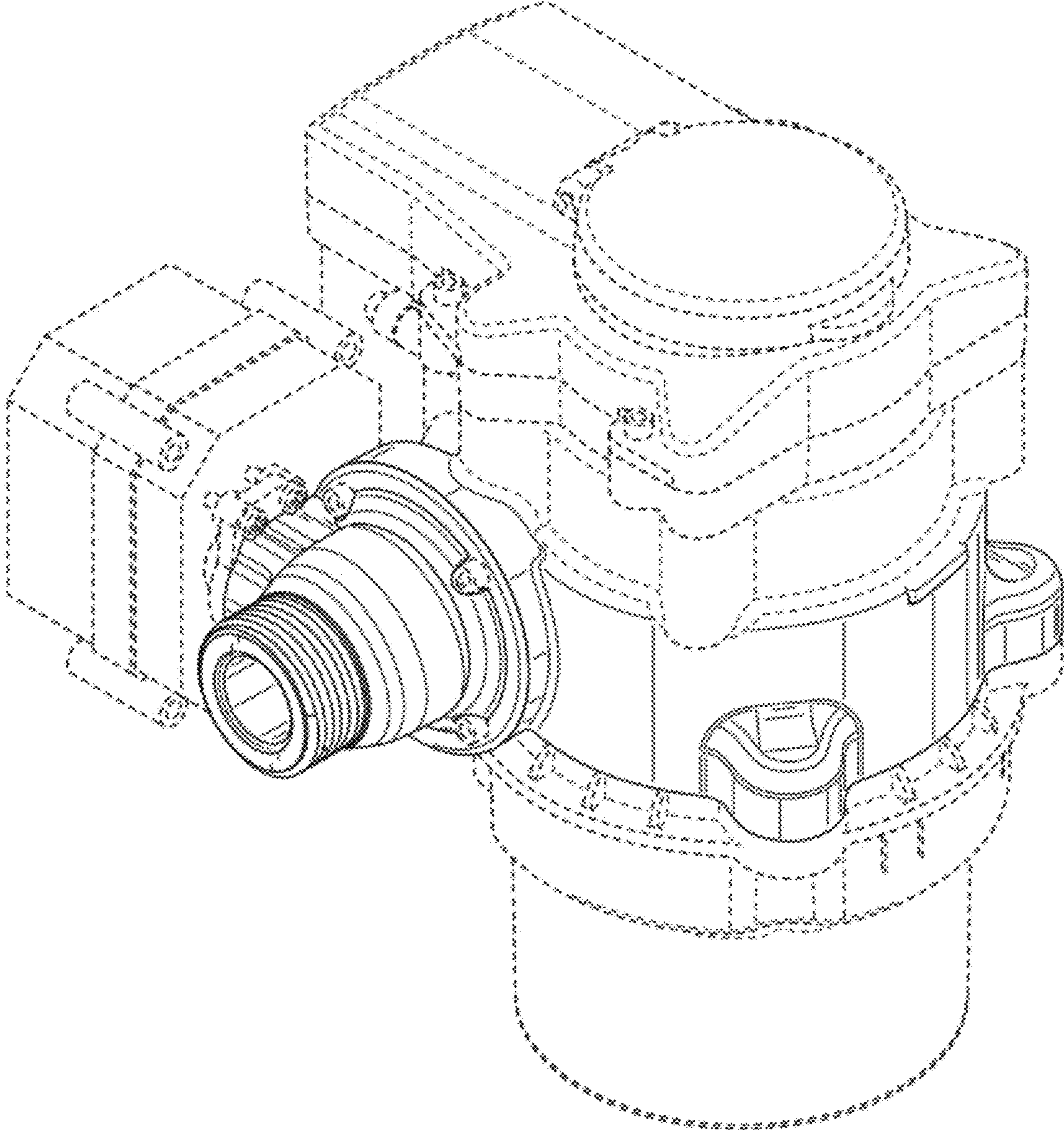


FIG. 8