



US00D676768S

(12) **United States Design Patent**
Eyring et al.

(10) **Patent No.:** **US D676,768 S**

(45) **Date of Patent:** **** Feb. 26, 2013**

(54) **THERMOSTAT**

(75) Inventors: **Stuart Eyring**, Bountiful, UT (US);
Karl L. Connolly, Brigham City, UT
(US); **Landon T. Gwilliam**, Salt Lake
City, UT (US)

(73) Assignee: **Orbit Irrigation Products, Inc.**, North
Salt Lake, UT (US)

(**) Term: **14 Years**

(21) Appl. No.: **29/426,884**

(22) Filed: **Jul. 11, 2012**

(51) **LOC (9) Cl.** **10-04**

(52) **U.S. Cl.** **D10/50**

(58) **Field of Classification Search** D10/49-50;
D13/162; 55/270, 274, 279, DIG. 7, DIG. 34;
62/176.6, 125-130, 78, 180, 186; 73/23.2,
73/23.34, 31.01, 31.02, 431, 170.16-170.19,
73/170.21-170.25, 863.12, 29, 29.02, 335.01-335.14;
236/46 R, 47, 94, 44 C, 44 R, 49.3, 44 A,
236/96; 337/112, 327, 360; 340/602, 627,
340/632, 634; 361/346; 364/141, 146, 147,
364/188, 420, 557; 454/229, 239, 256, 257,
454/258; 700/18, 159, 181, 278

See application file for complete search history.

(56) **References Cited**

U.S. PATENT DOCUMENTS

D648,642 S * 11/2011 Wallaert et al. D10/50

OTHER PUBLICATIONS

The products shown in Attachment A hereto were sold or offered for
sale on or before Jul. 10, 2011.

* cited by examiner

Primary Examiner — Antoine D Davis

(74) *Attorney, Agent, or Firm* — Austin Rapp & Hardman

(57) **CLAIM**

The ornamental design for a thermostat, as shown and
described.

DESCRIPTION

FIG. 1 is an elevated perspective view of one embodiment of
a thermostat, according to our new design;

FIG. 2 is a front view of the thermostat shown in FIG. 1;

FIG. 3 is a first side view of the thermostat shown in FIG. 1;

FIG. 4 is a second side view of the thermostat shown in FIG.
1;

FIG. 5 is a top view of the thermostat shown in FIG. 1;

FIG. 6 is a bottom view of the thermostat shown in FIG. 1;

FIG. 7 is an elevated perspective view of another embodiment
of a thermostat, according to our new design;

FIG. 8 is a front view of the thermostat shown in FIG. 7;

FIG. 9 is a first side view of the thermostat shown in FIG. 7;

FIG. 10 is a second side view of the thermostat shown in FIG.
7;

FIG. 11 is a top view of the thermostat shown in FIG. 7;

FIG. 12 is a bottom view of the thermostat shown in FIG. 7;

FIG. 13 is an elevated perspective view of another embodi-
ment of a thermostat, according to our new design;

FIG. 14 is a front view of the thermostat shown in FIG. 13;

FIG. 15 is a first side view of the thermostat shown in FIG. 13;

FIG. 16 is a second side view of the thermostat shown in FIG.
13;

FIG. 17 is a top view of the thermostat shown in FIG. 13;

FIG. 18 is a bottom view of the thermostat shown in FIG. 13;

FIG. 19 is an elevated perspective view of another embodi-
ment of a thermostat, according to our new design;

FIG. 20 is a front view of the thermostat shown in FIG. 19;

FIG. 21 is a first side view of the thermostat shown in FIG. 19;

FIG. 22 is a second side view of the thermostat shown in FIG.
19;

FIG. 23 is a top view of the thermostat shown in FIG. 19;

FIG. 24 is a bottom view of the thermostat shown in FIG. 19;

FIG. 25 is an elevated perspective view of another embodi-
ment of a thermostat, according to our new design;

FIG. 26 is a front view of the thermostat shown in FIG. 25;

FIG. 27 is a first side view of the thermostat shown in FIG. 25;

FIG. 28 is a second side view of the thermostat shown in FIG.
25;

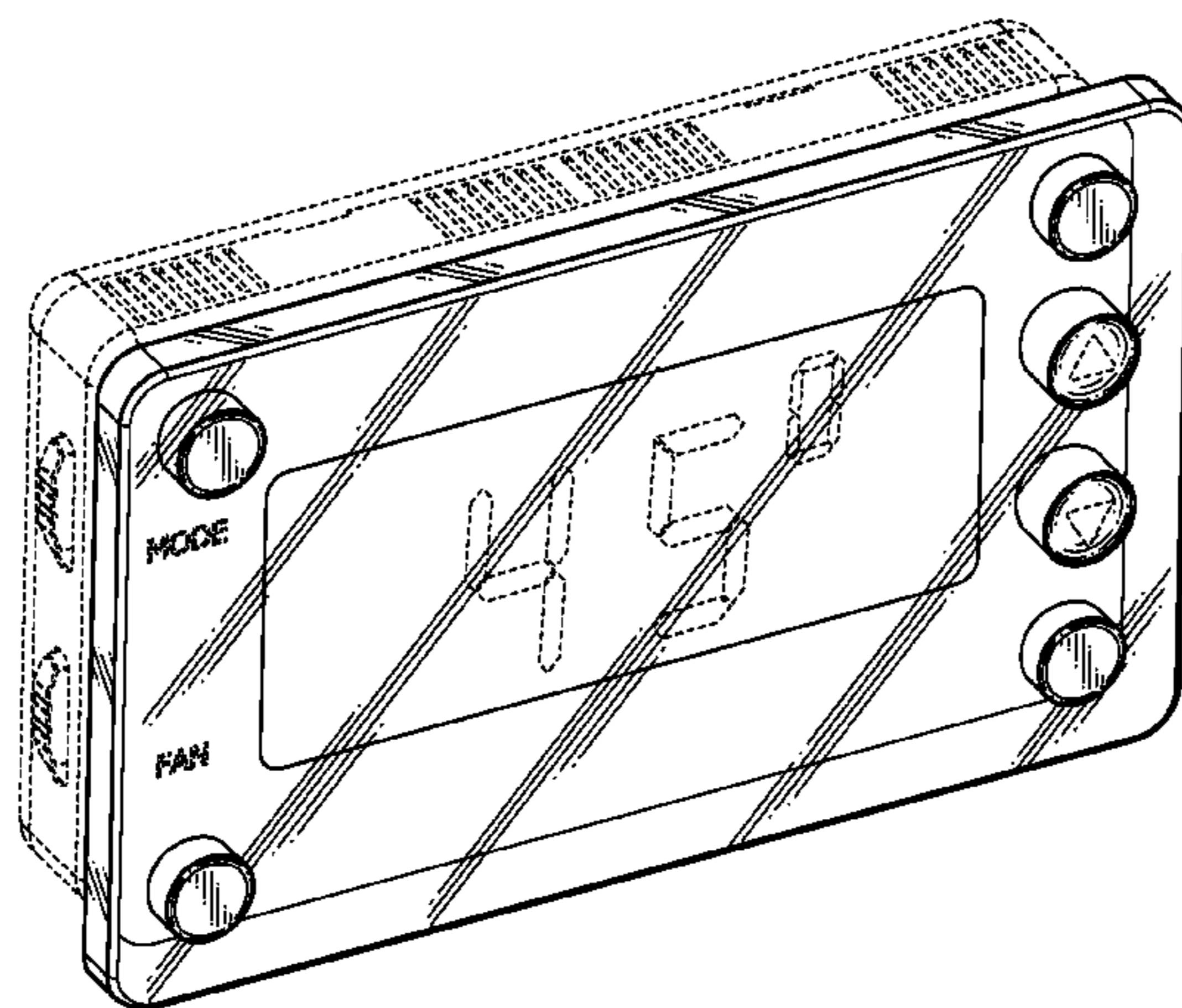


FIG. 29 is a top view of the thermostat shown in FIG. 25;
FIG. 30 is a bottom view of the thermostat shown in FIG. 25;
FIG. 31 is an elevated perspective view of another embodiment of a thermostat, according to our new design;
FIG. 32 is a front view of the thermostat shown in FIG. 31;
FIG. 33 is a first side view of the thermostat shown in FIG. 31;
FIG. 34 is a second side view of the thermostat shown in FIG. 31;
FIG. 35 is a top view of the thermostat shown in FIG. 31;
FIG. 36 is a bottom view of the thermostat shown in FIG. 31;
FIG. 37 is an elevated perspective view of another embodiment of a thermostat, according to our new design;

FIG. 38 is a front view of the thermostat shown in FIG. 37;
FIG. 39 is a first side view of the thermostat shown in FIG. 37;
FIG. 40 is a second side view of the thermostat shown in FIG. 37;
FIG. 41 is a top view of the thermostat shown in FIG. 37; and,
FIG. 42 is a bottom view of the thermostat shown in FIG. 37.
The portions shown in broken lines comprise environmental structure only and form no part of the claimed design.

1 Claim, 14 Drawing Sheets

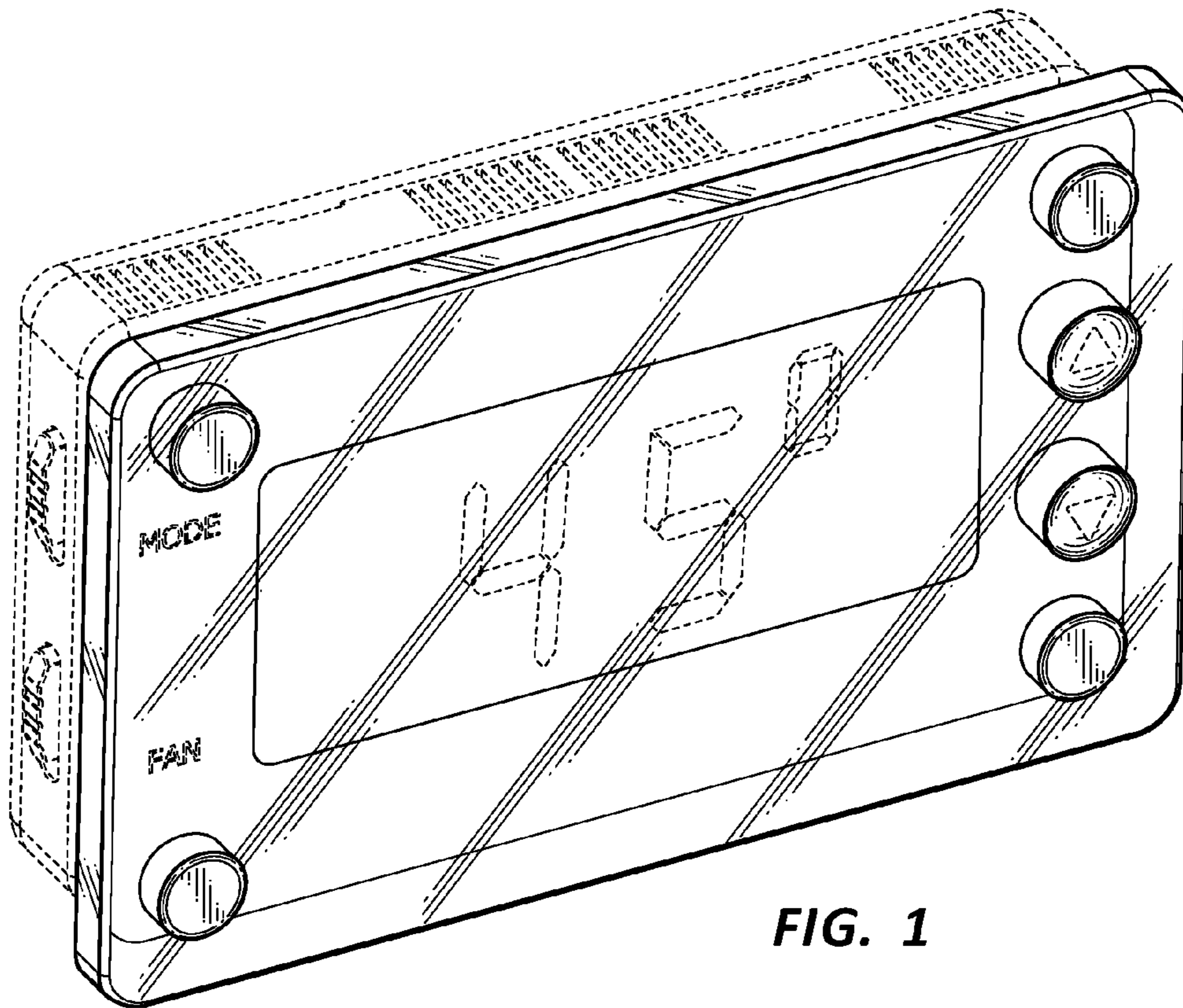


FIG. 1

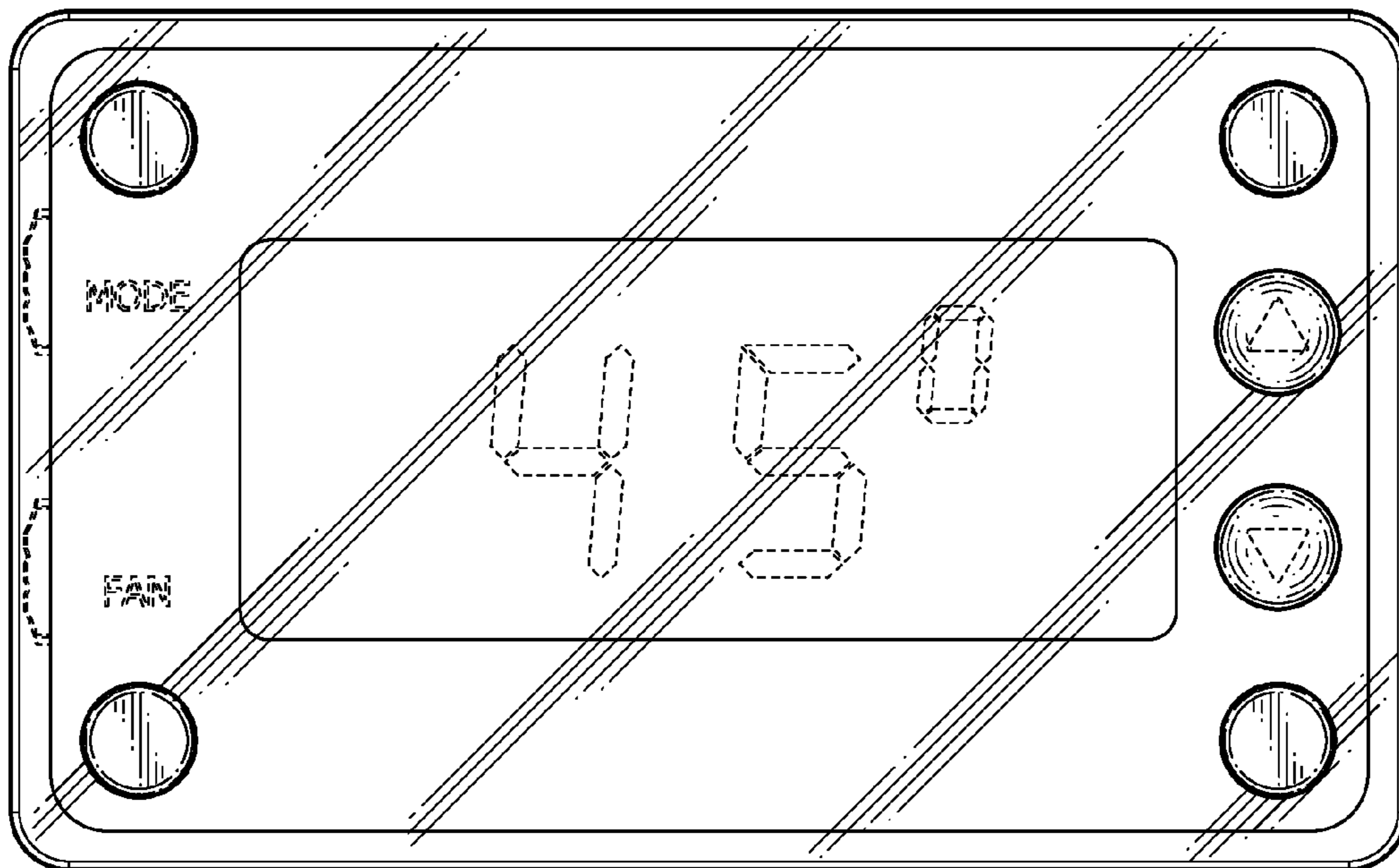


FIG. 2

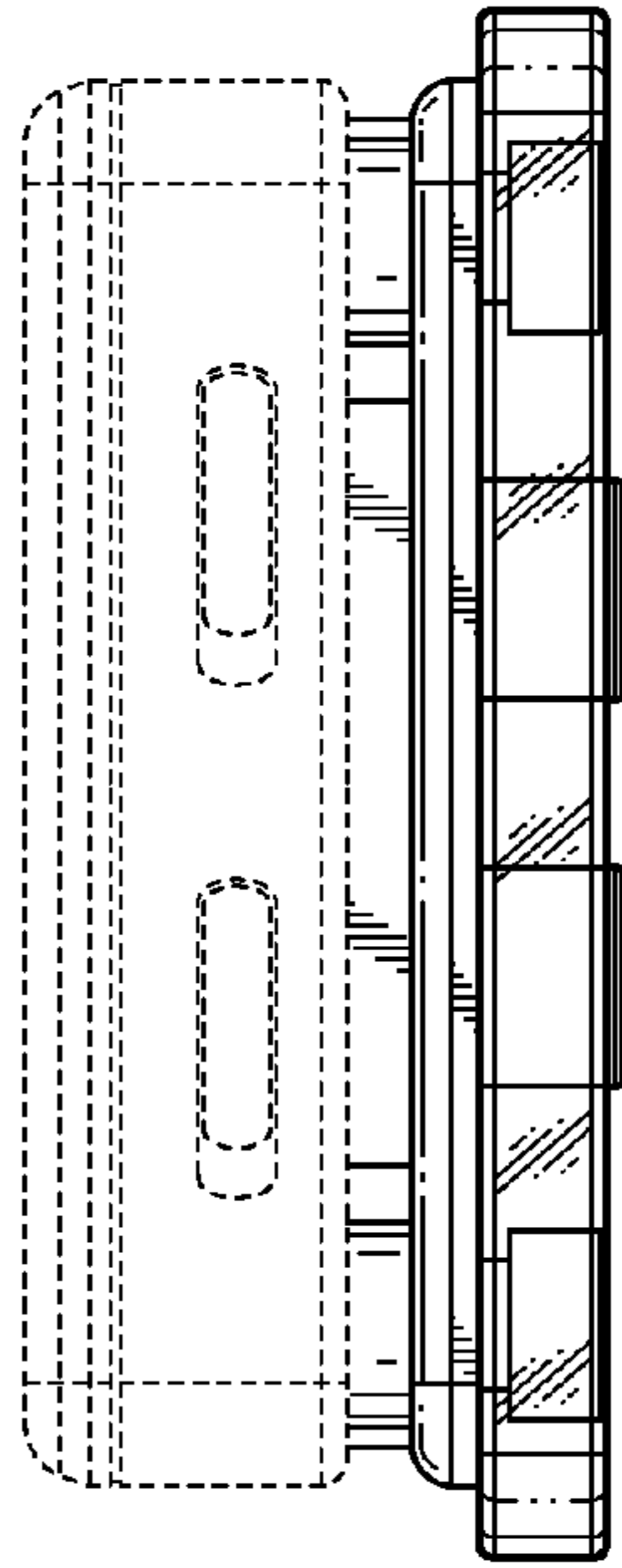


FIG. 3

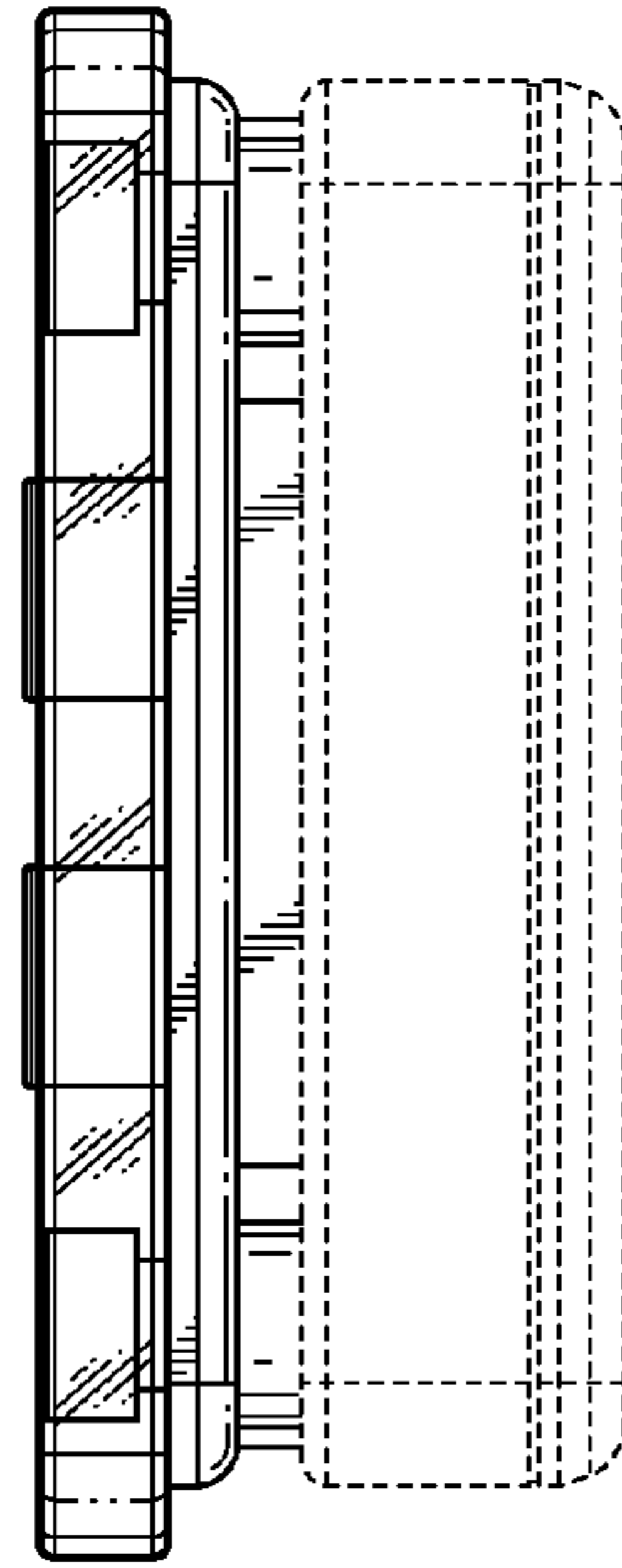


FIG. 4

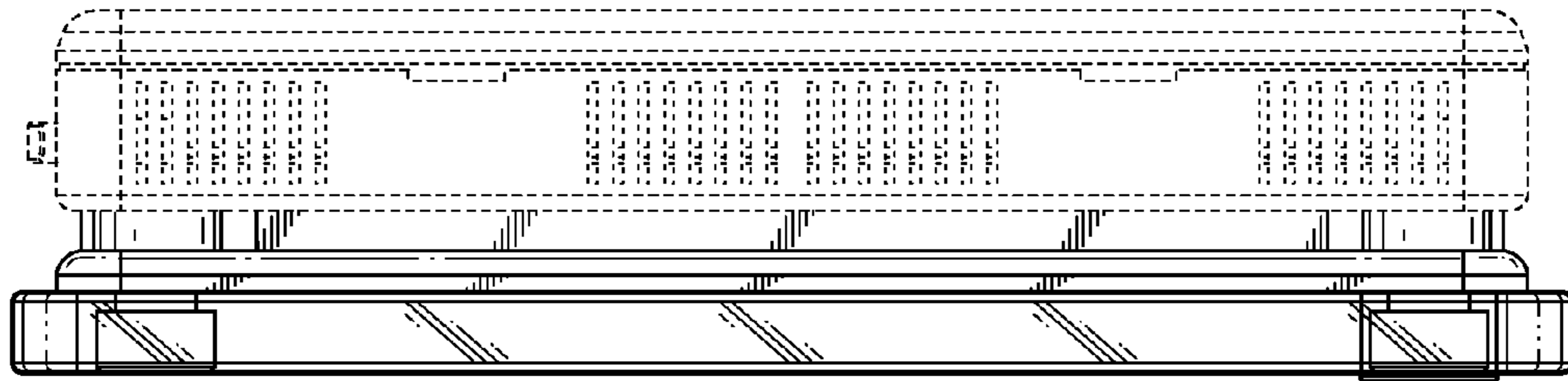


FIG. 5

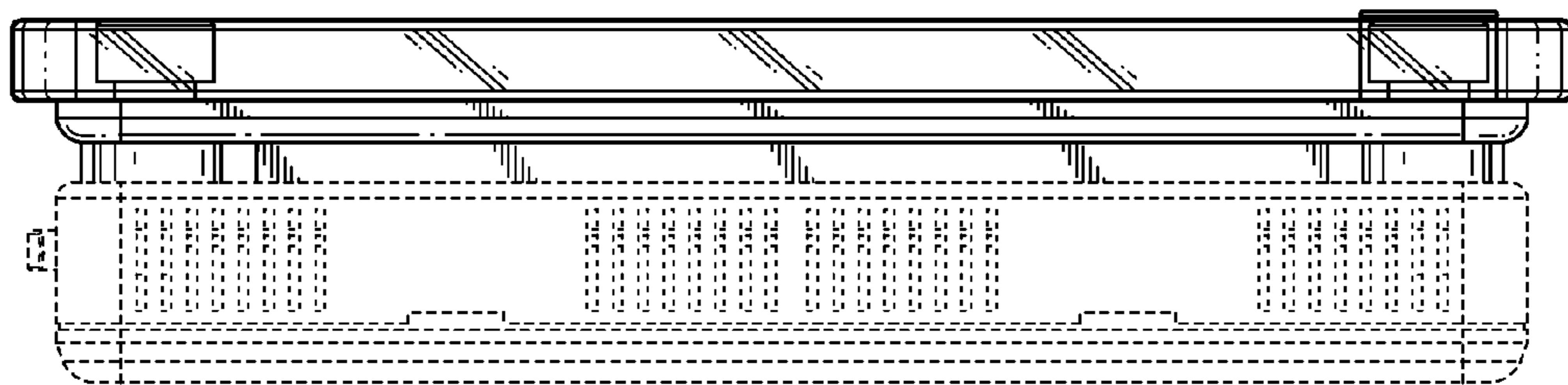


FIG. 6

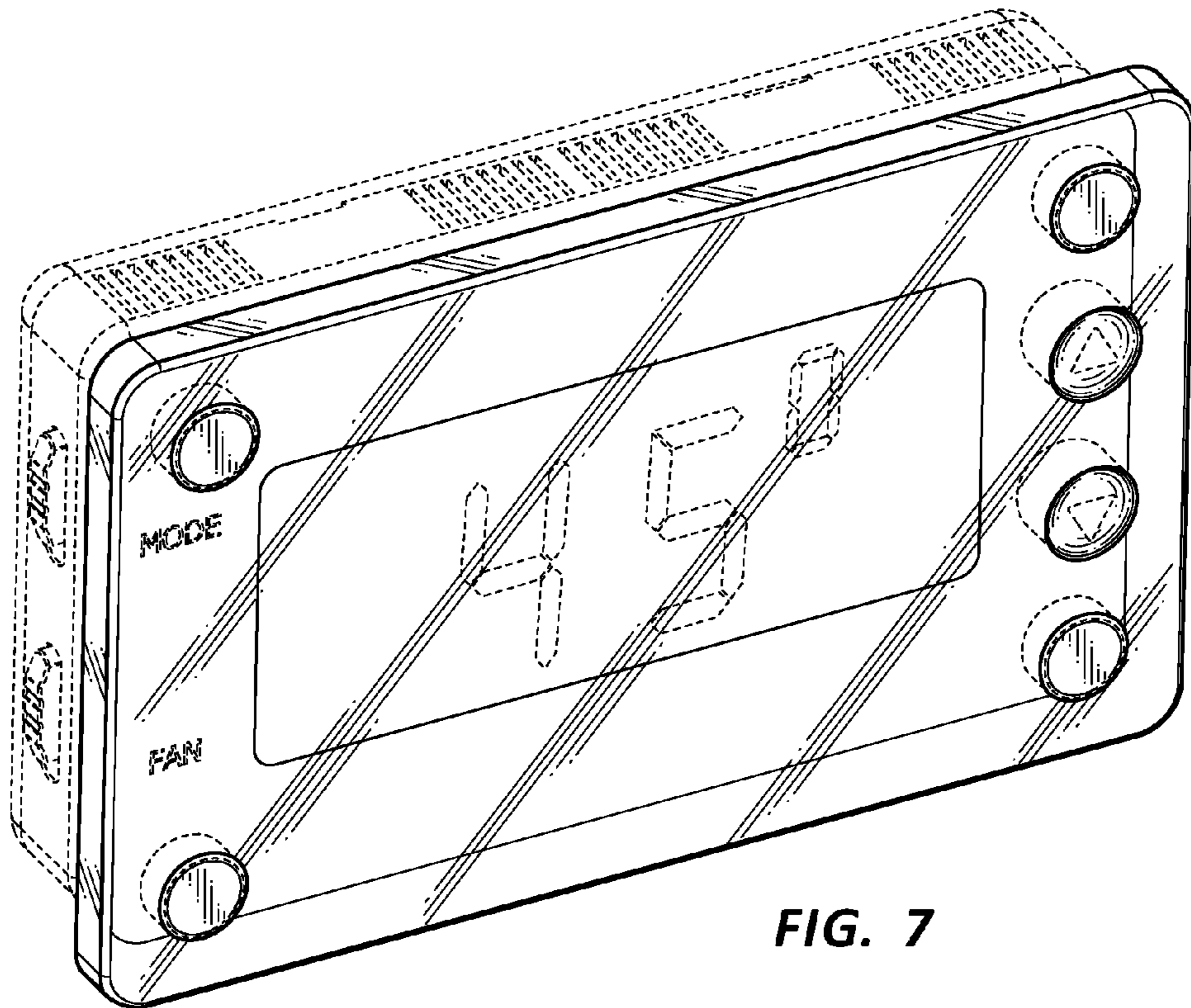


FIG. 7

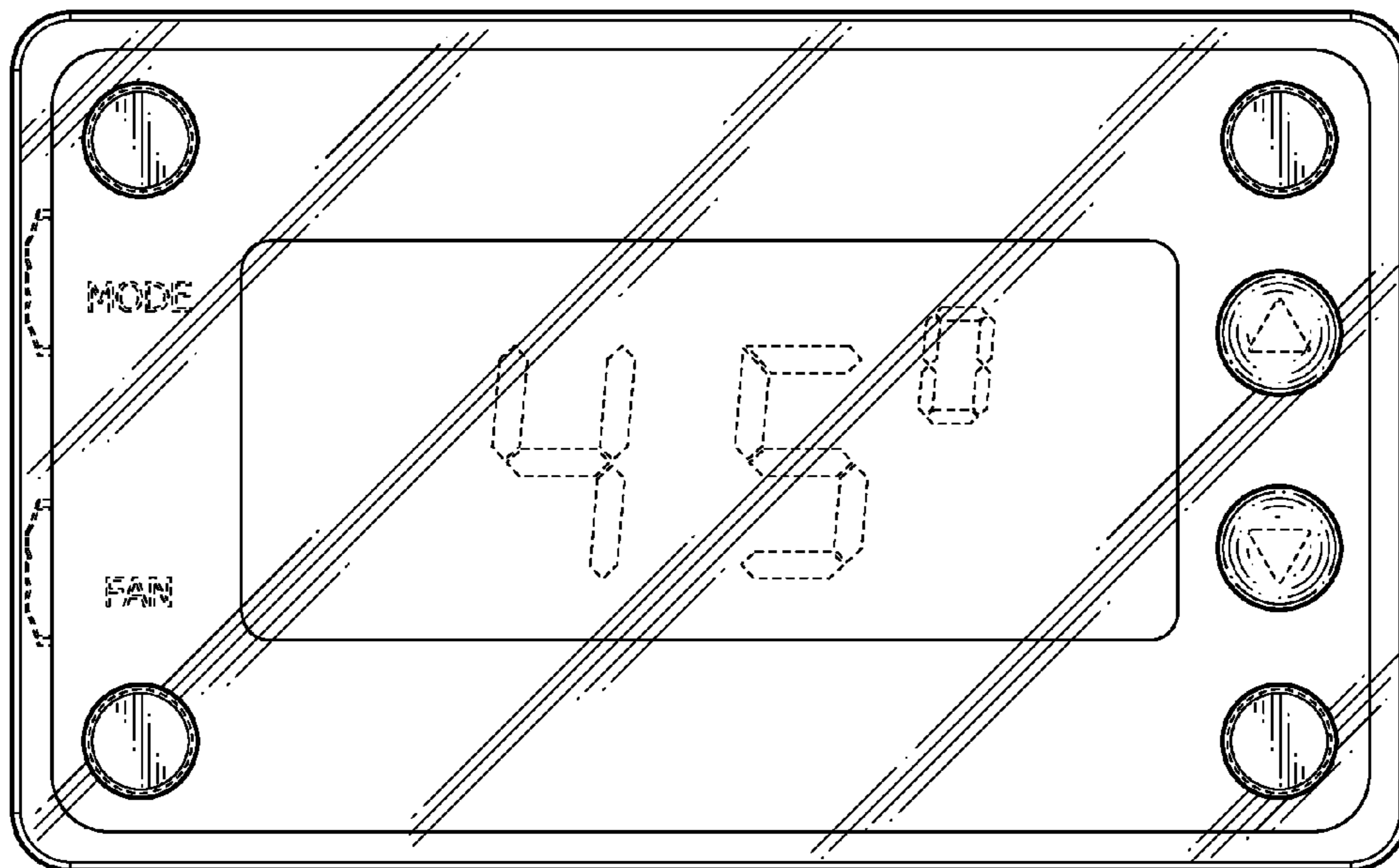


FIG. 8

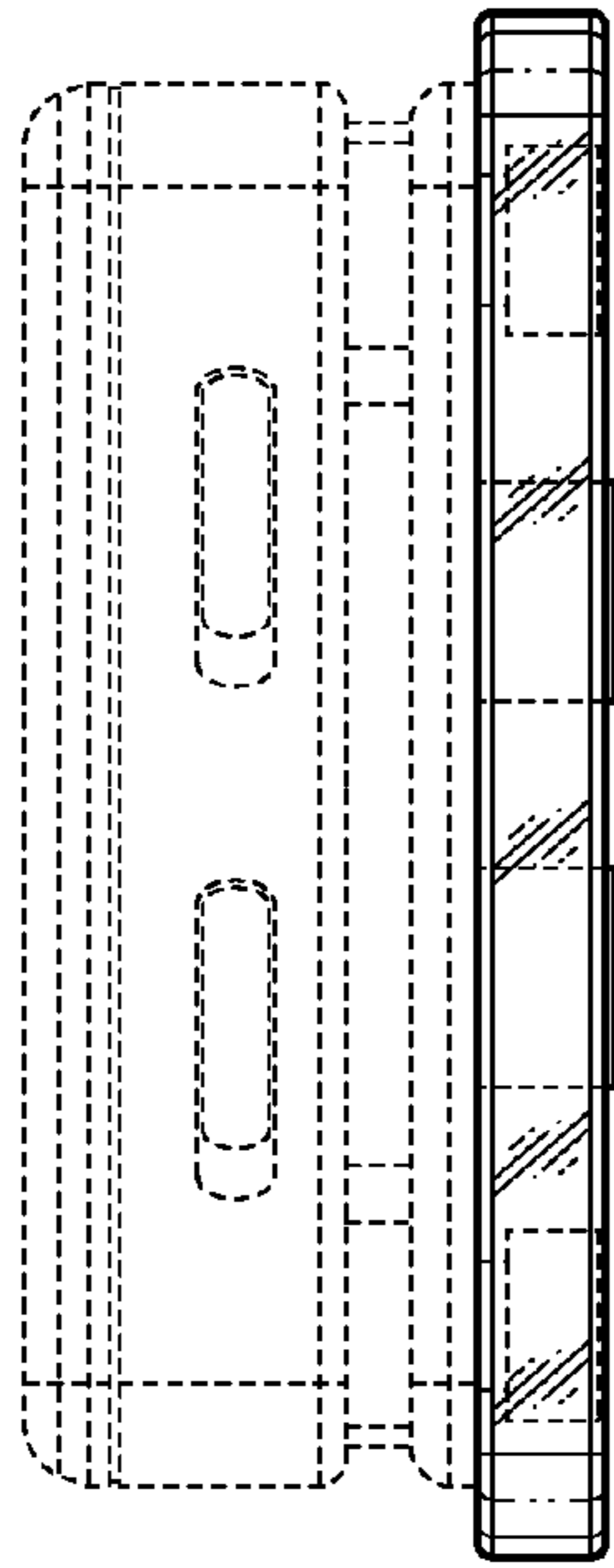


FIG. 9

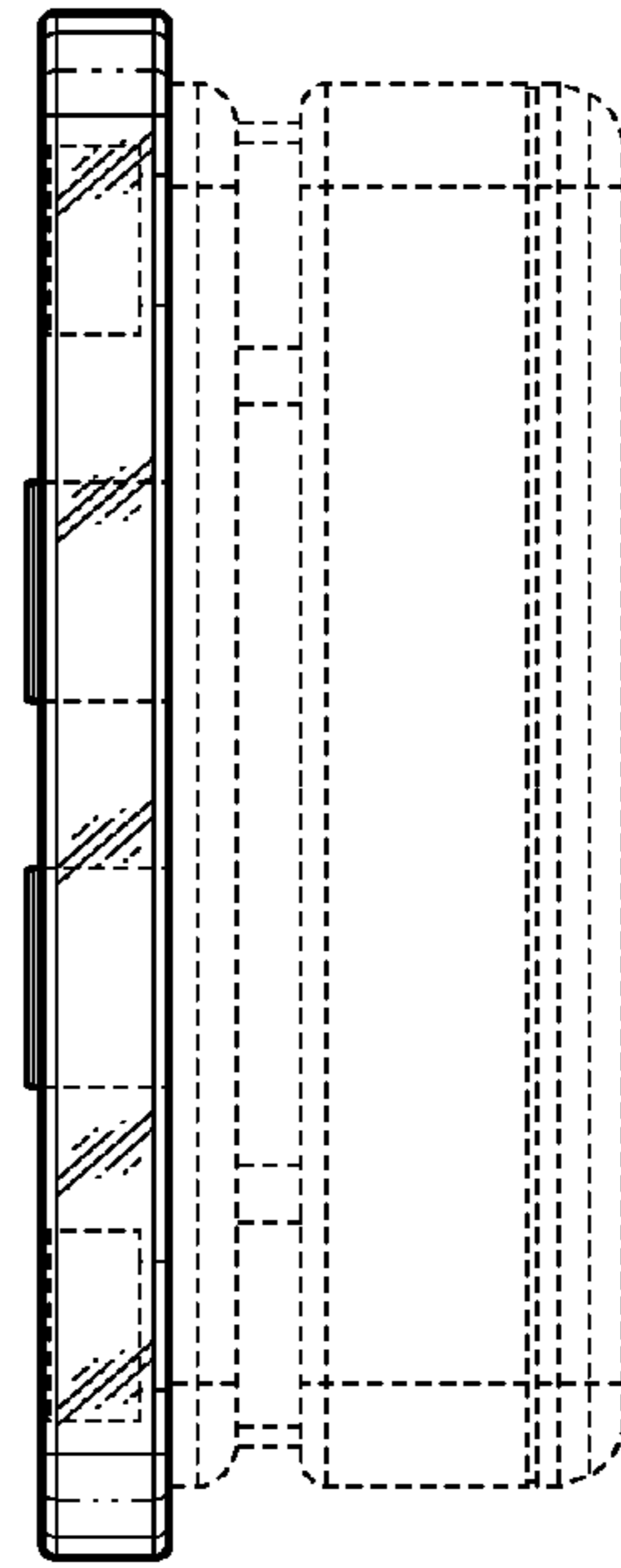


FIG. 10

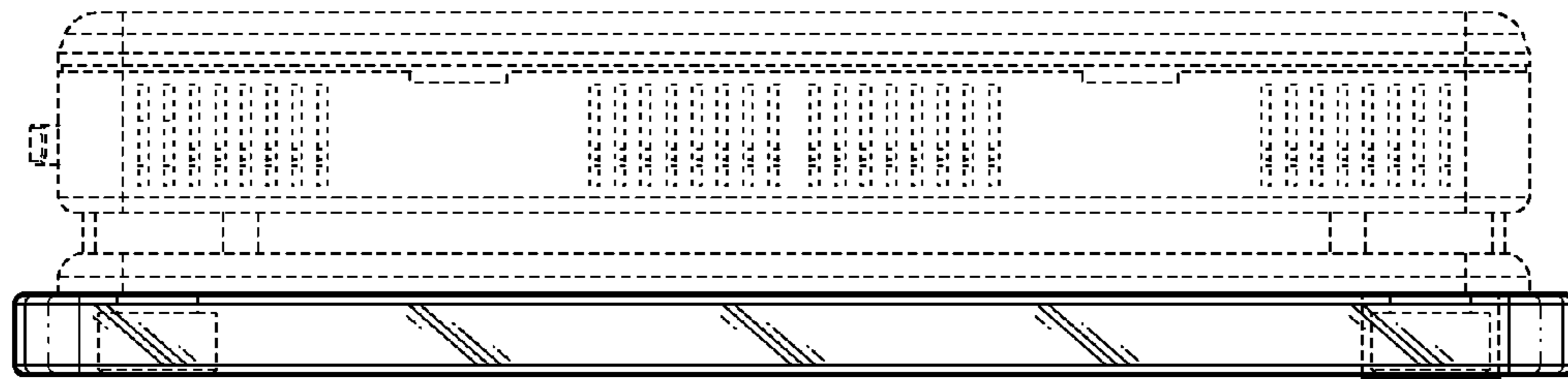


FIG. 11

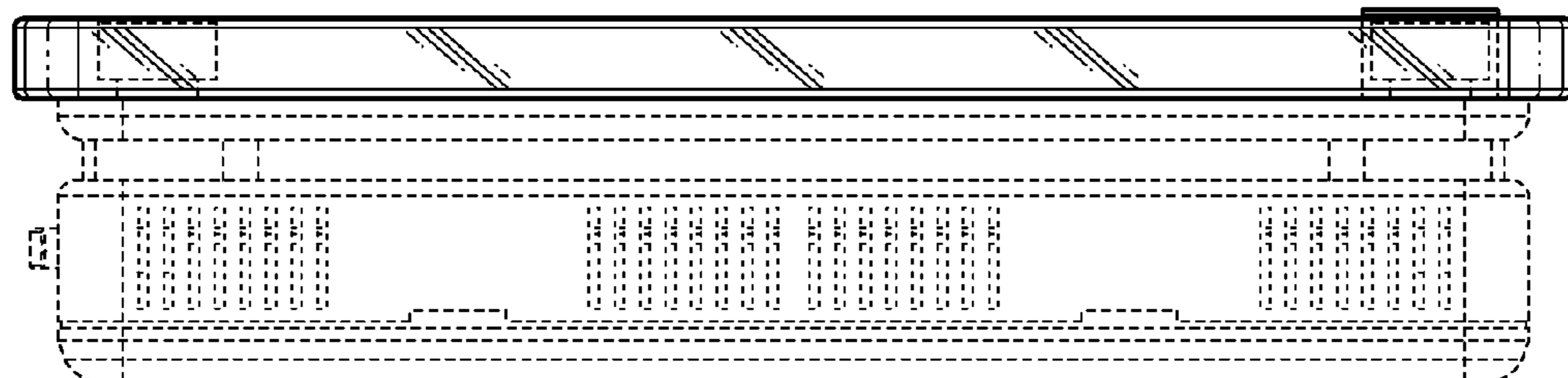


FIG. 12

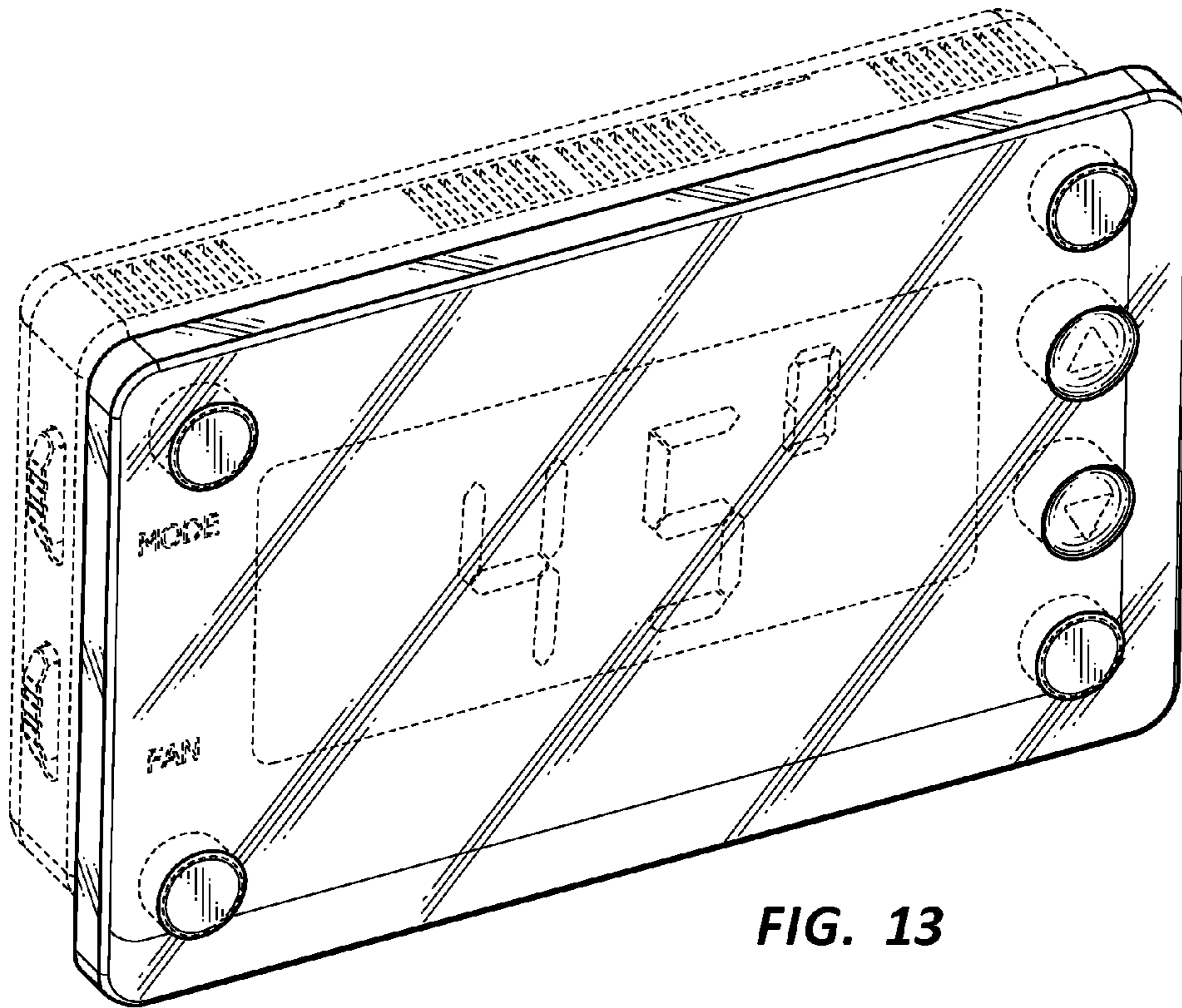


FIG. 13

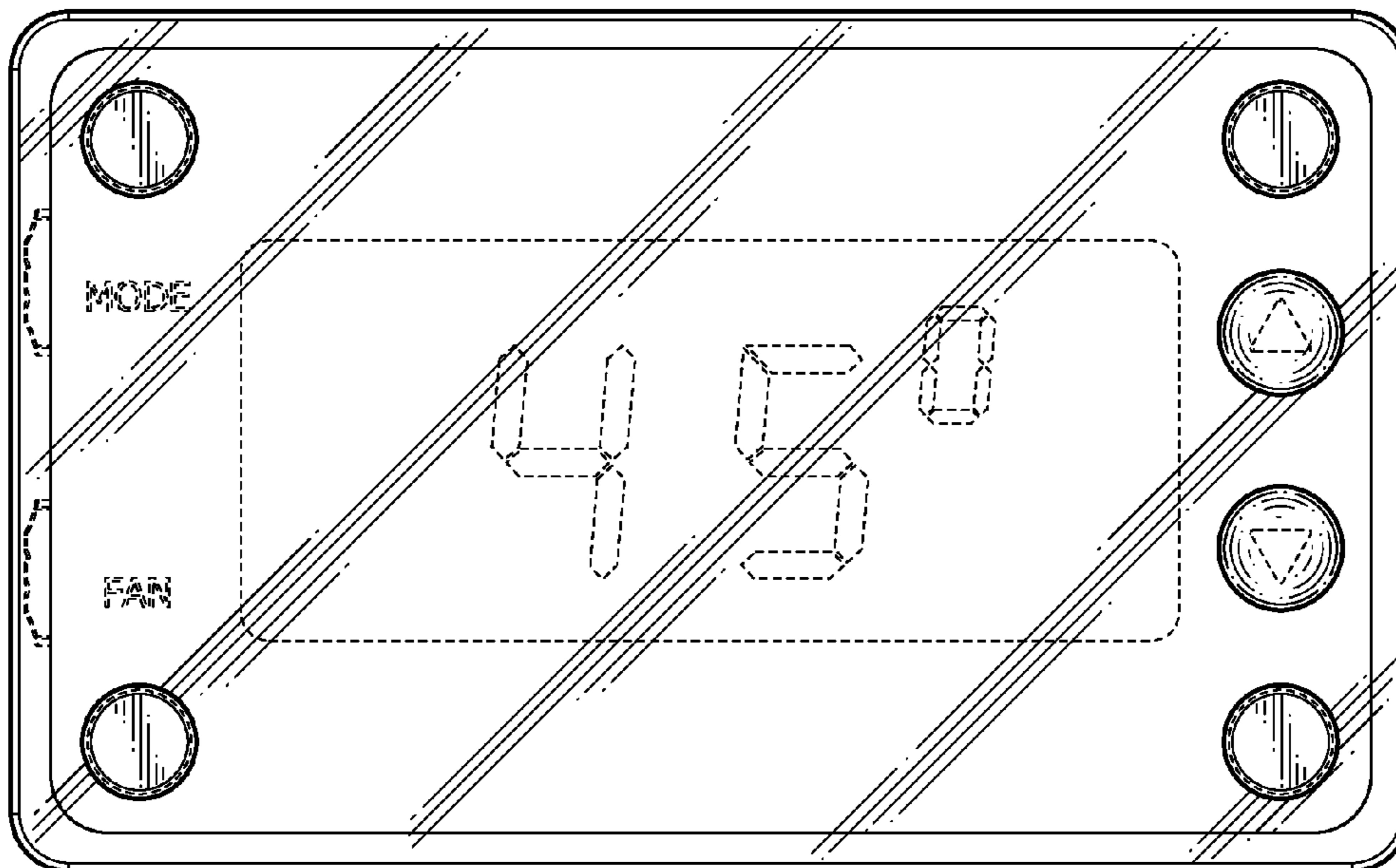


FIG. 14

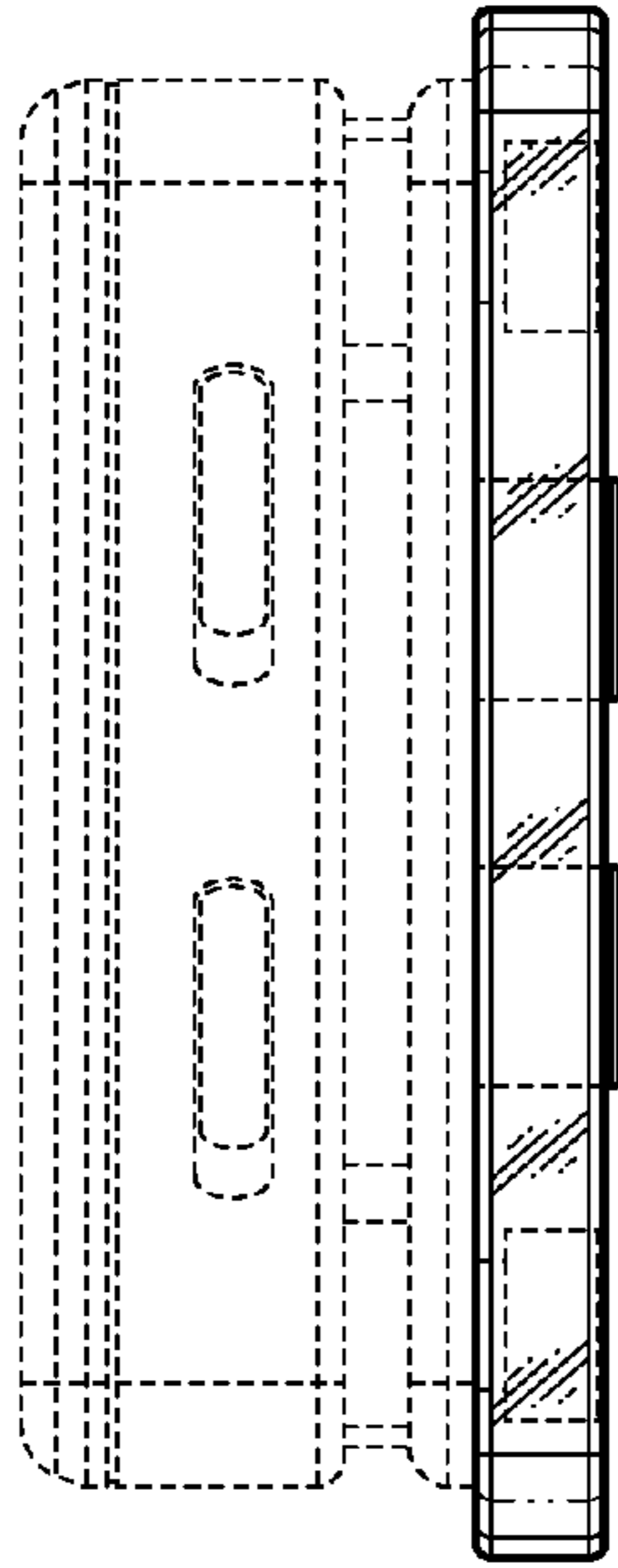


FIG. 15

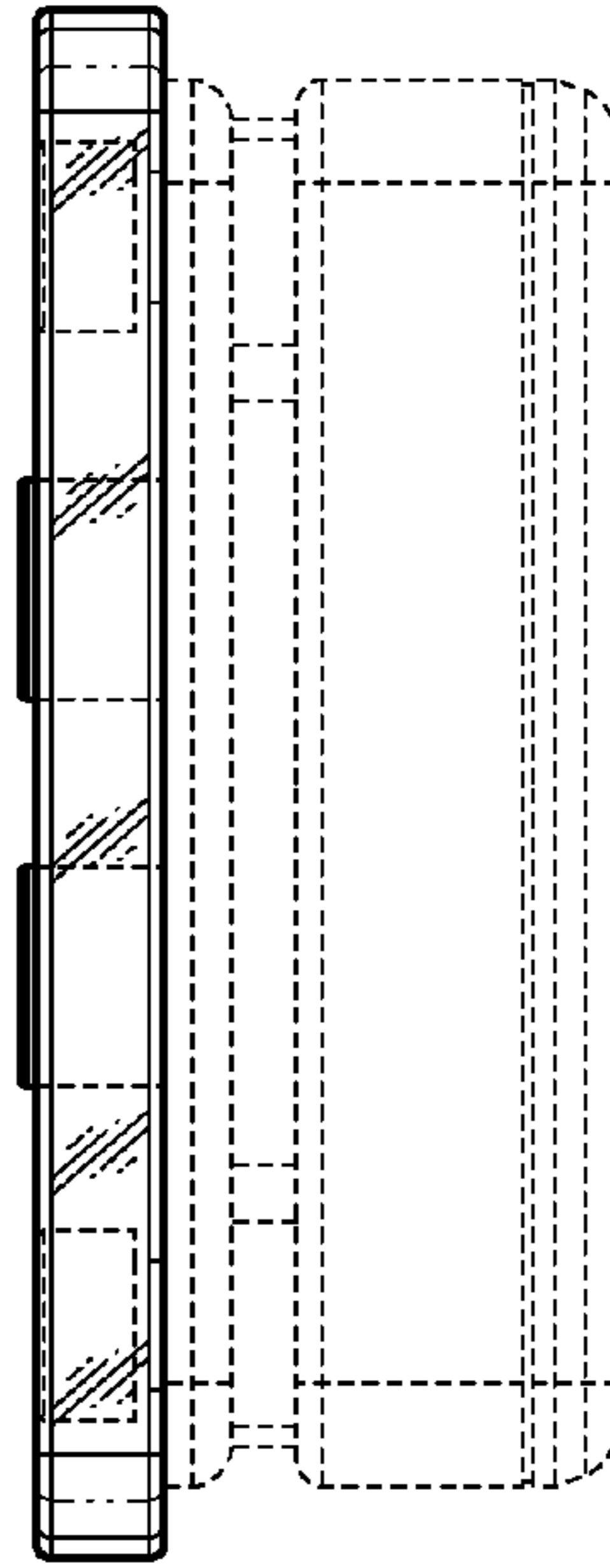


FIG. 16

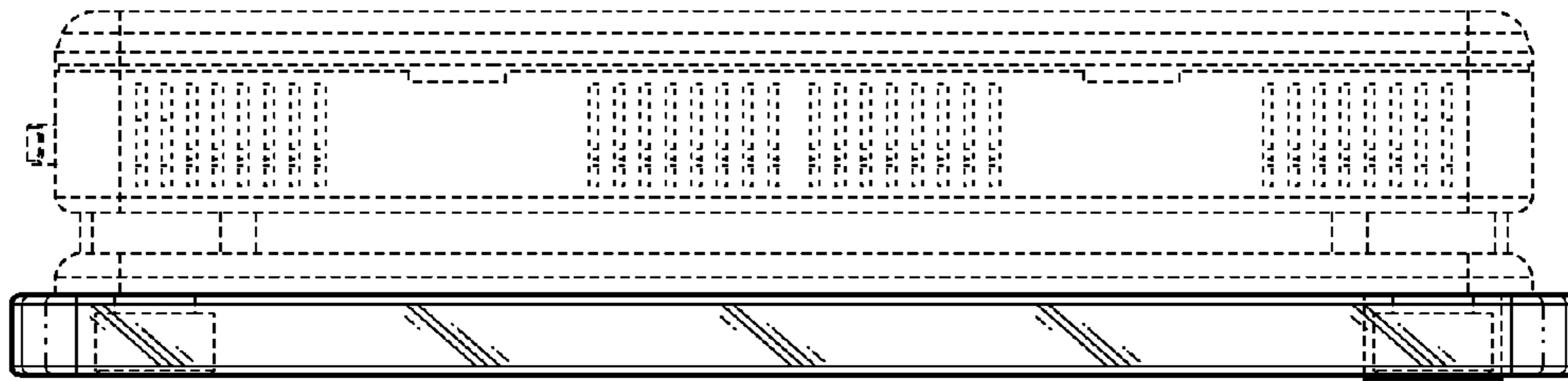


FIG. 17

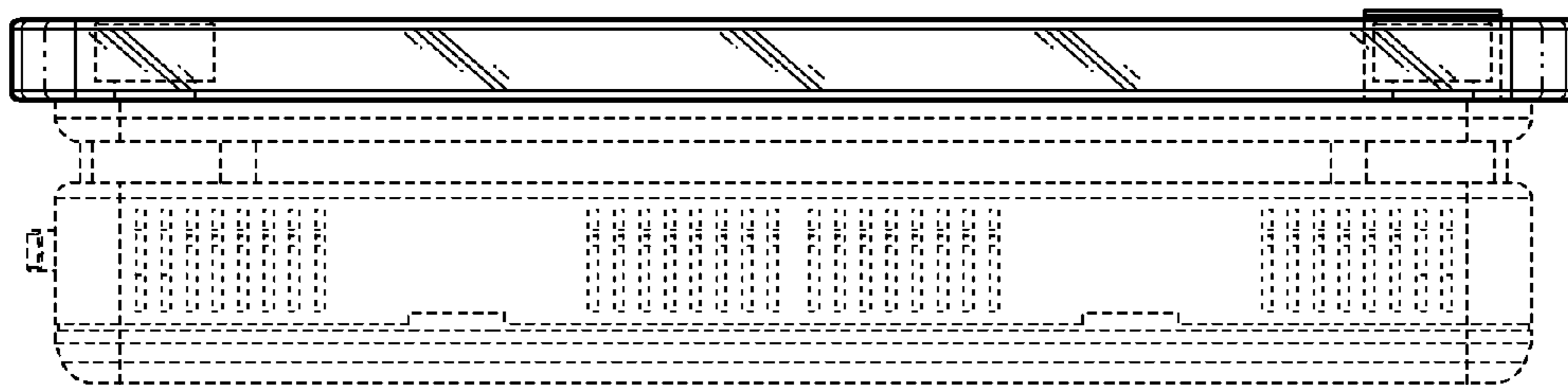


FIG. 18

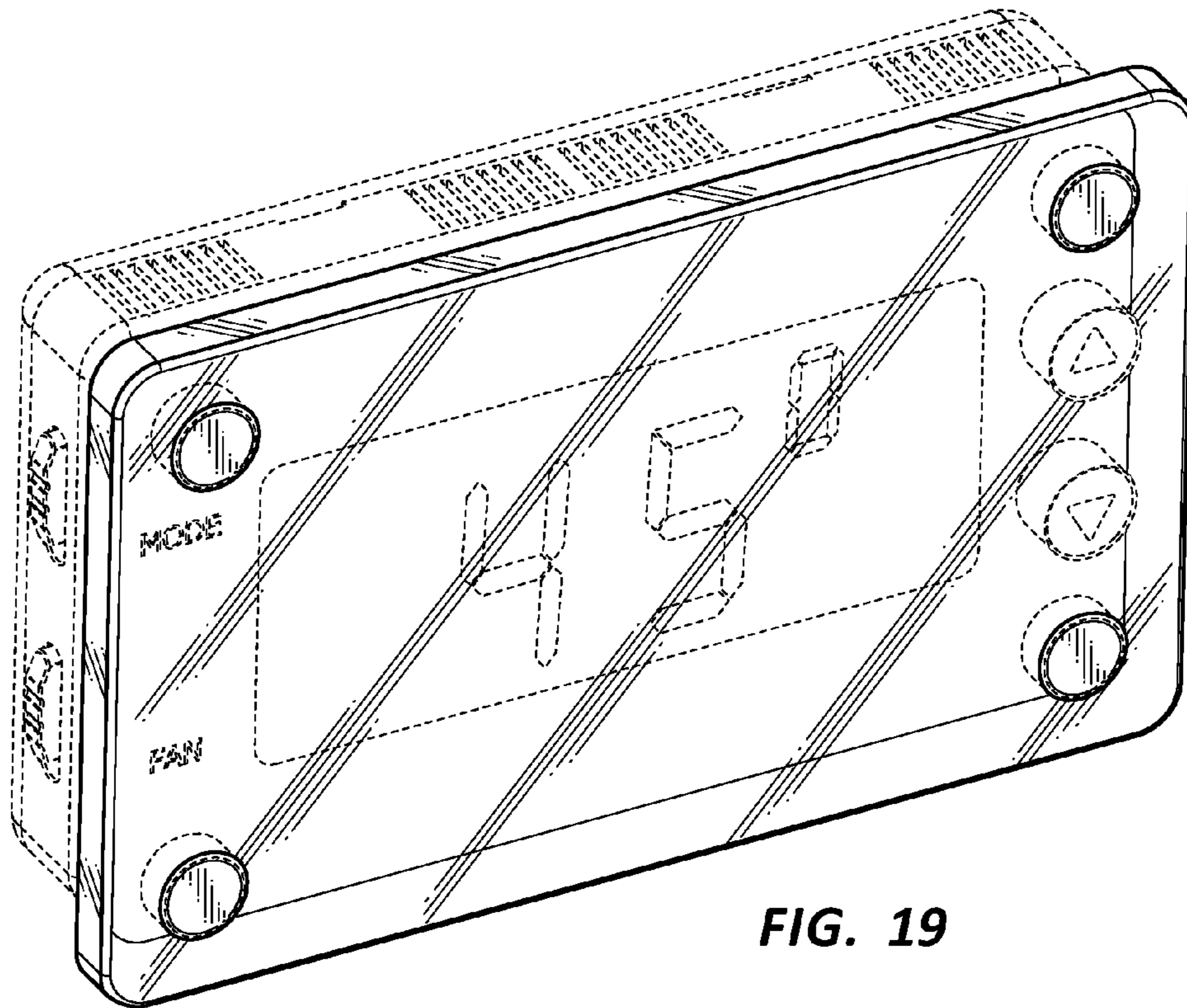


FIG. 19

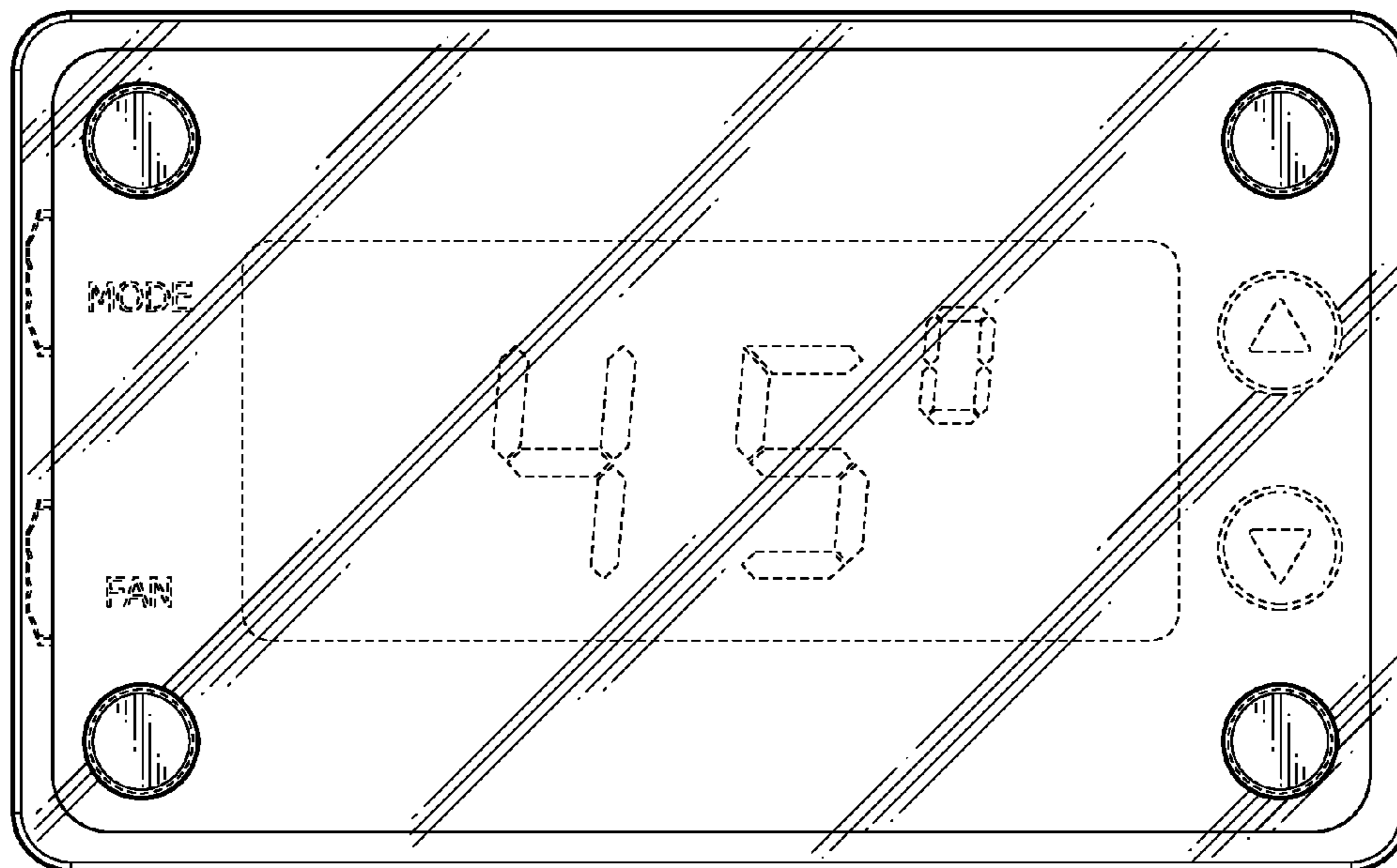


FIG. 20

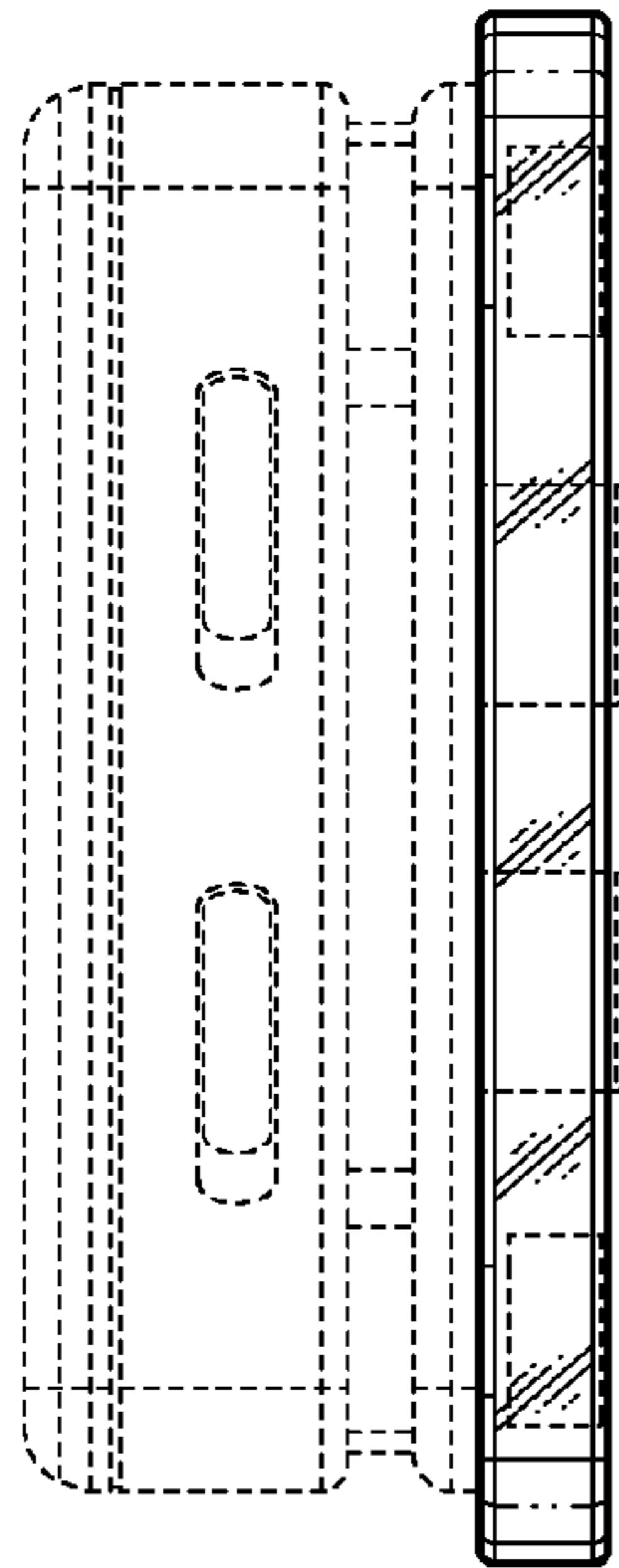


FIG. 21

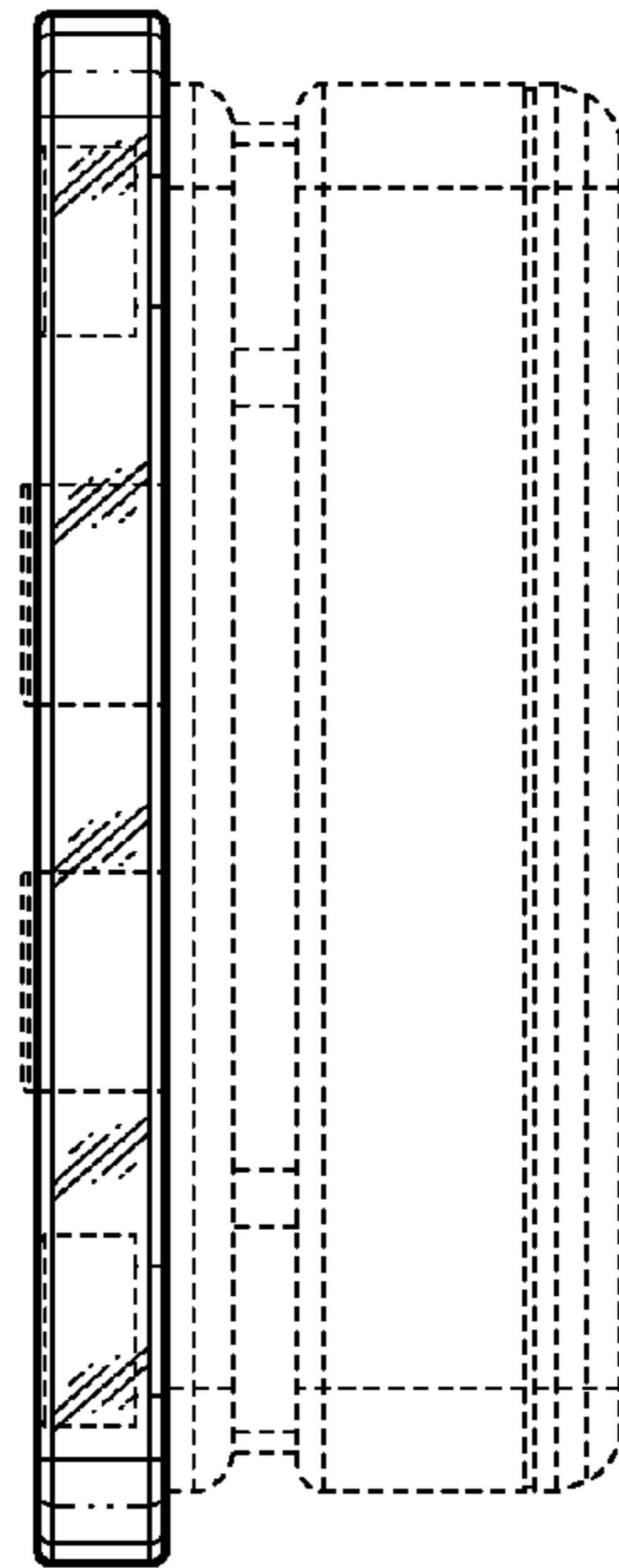


FIG. 22

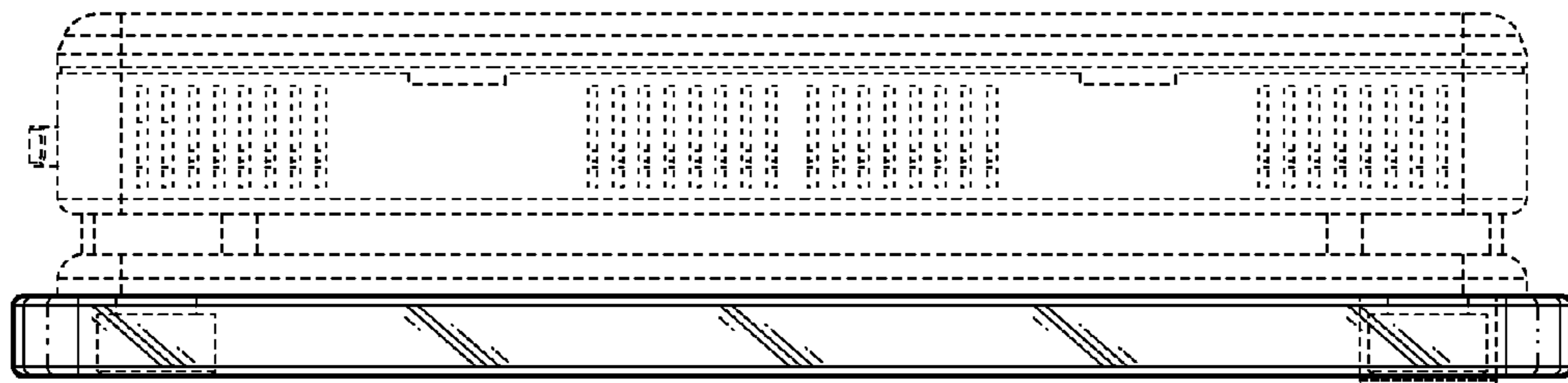


FIG. 23

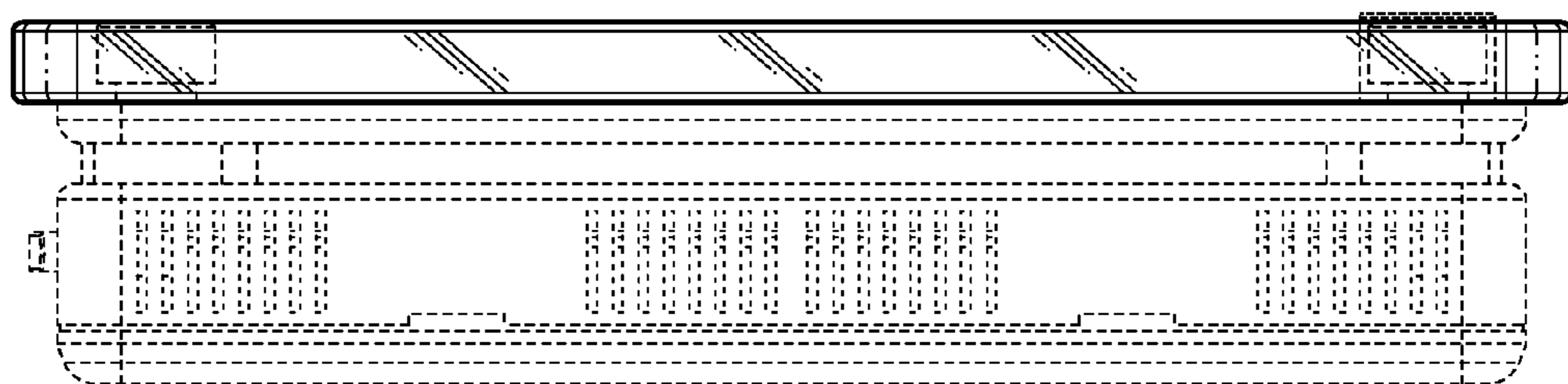


FIG. 24

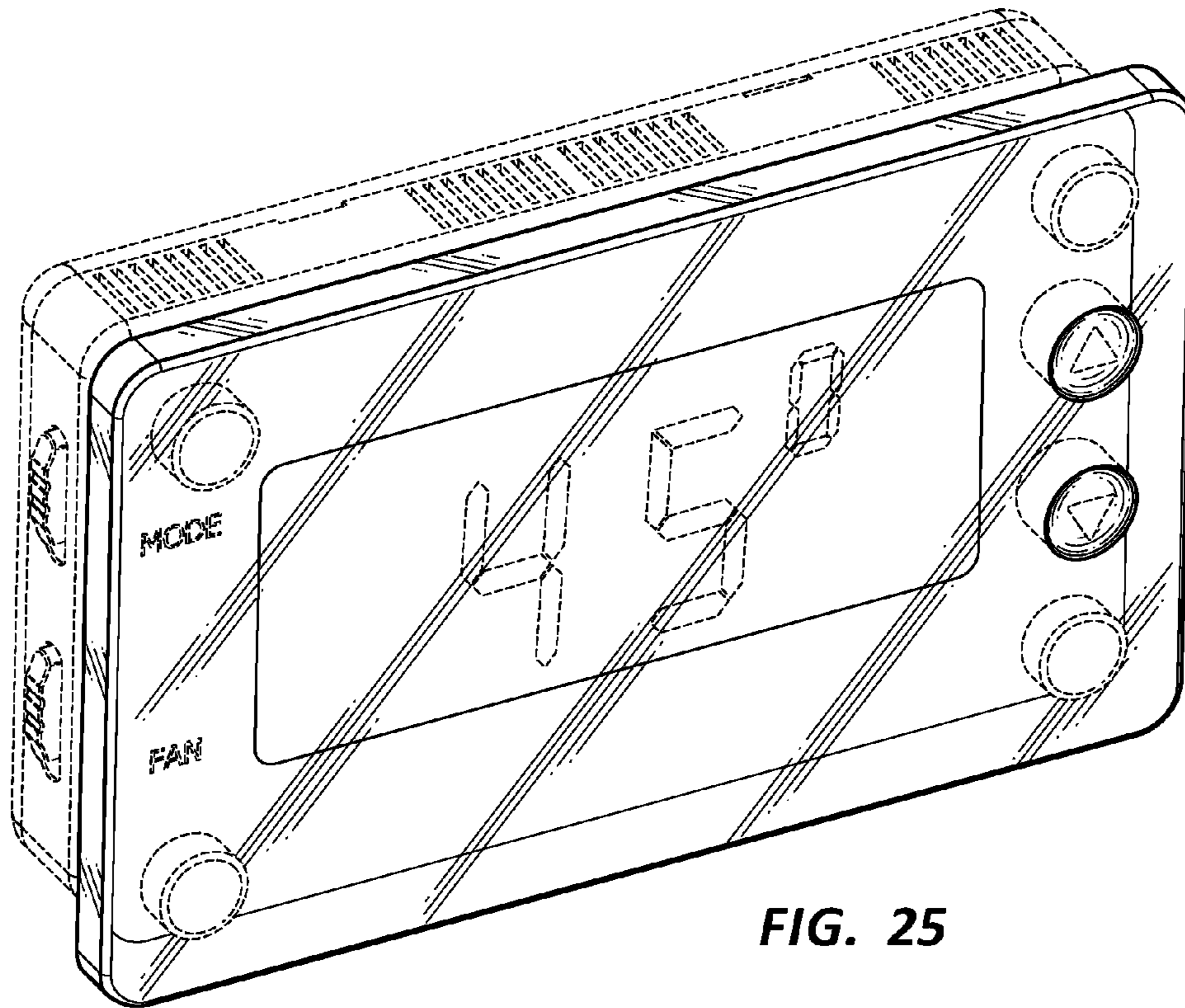


FIG. 25

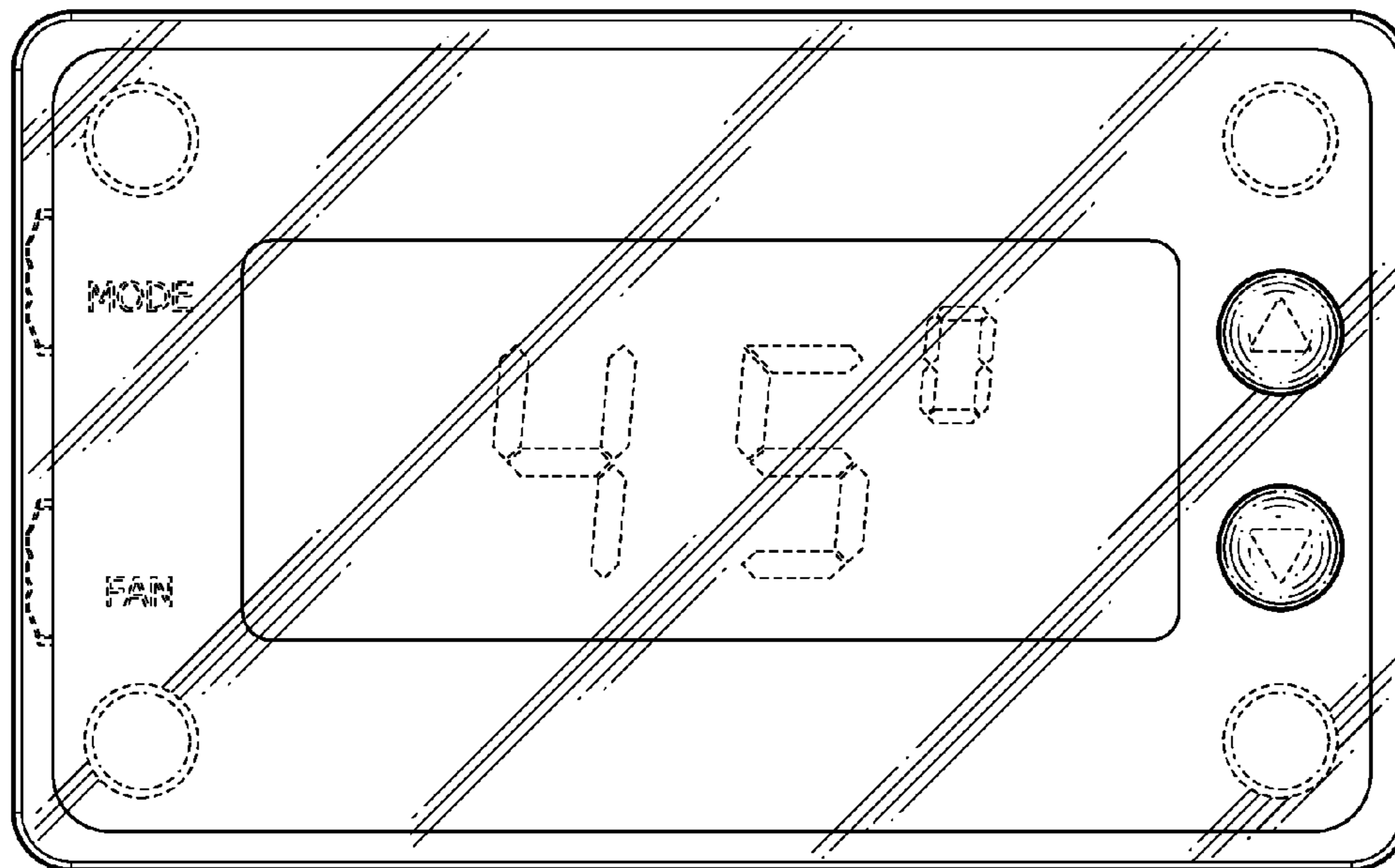


FIG. 26

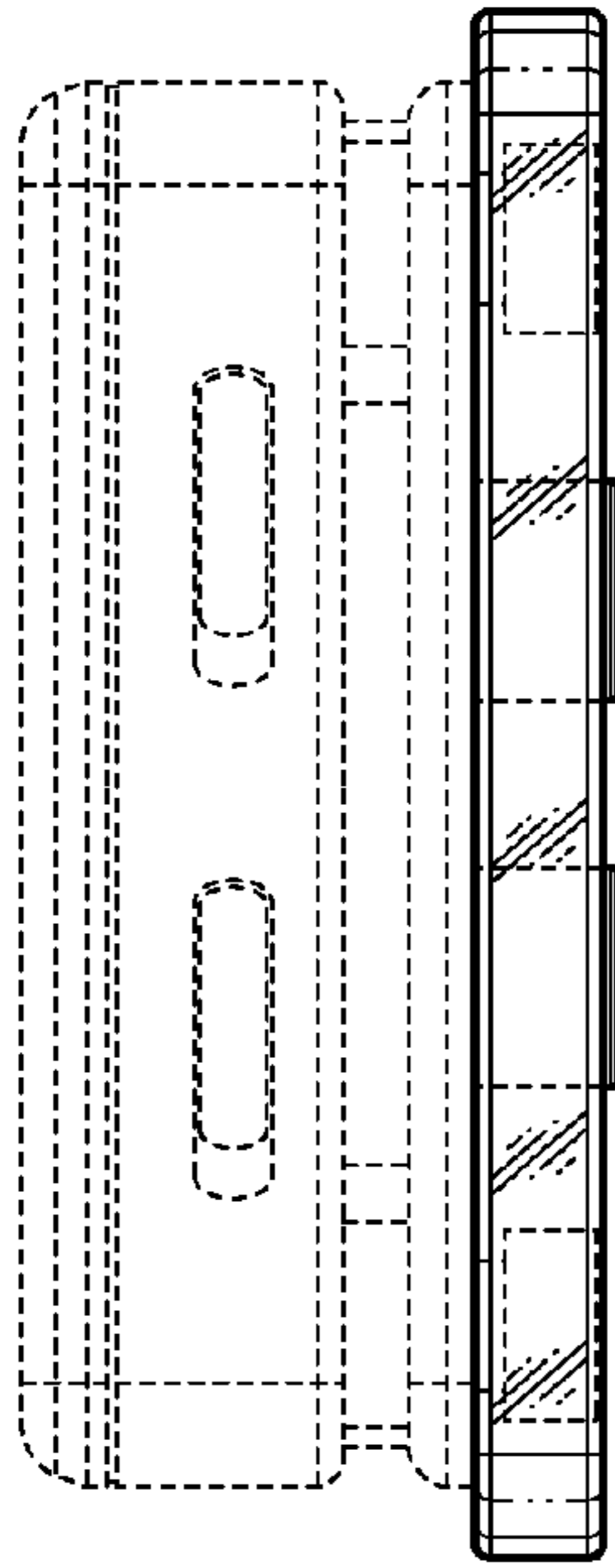


FIG. 27

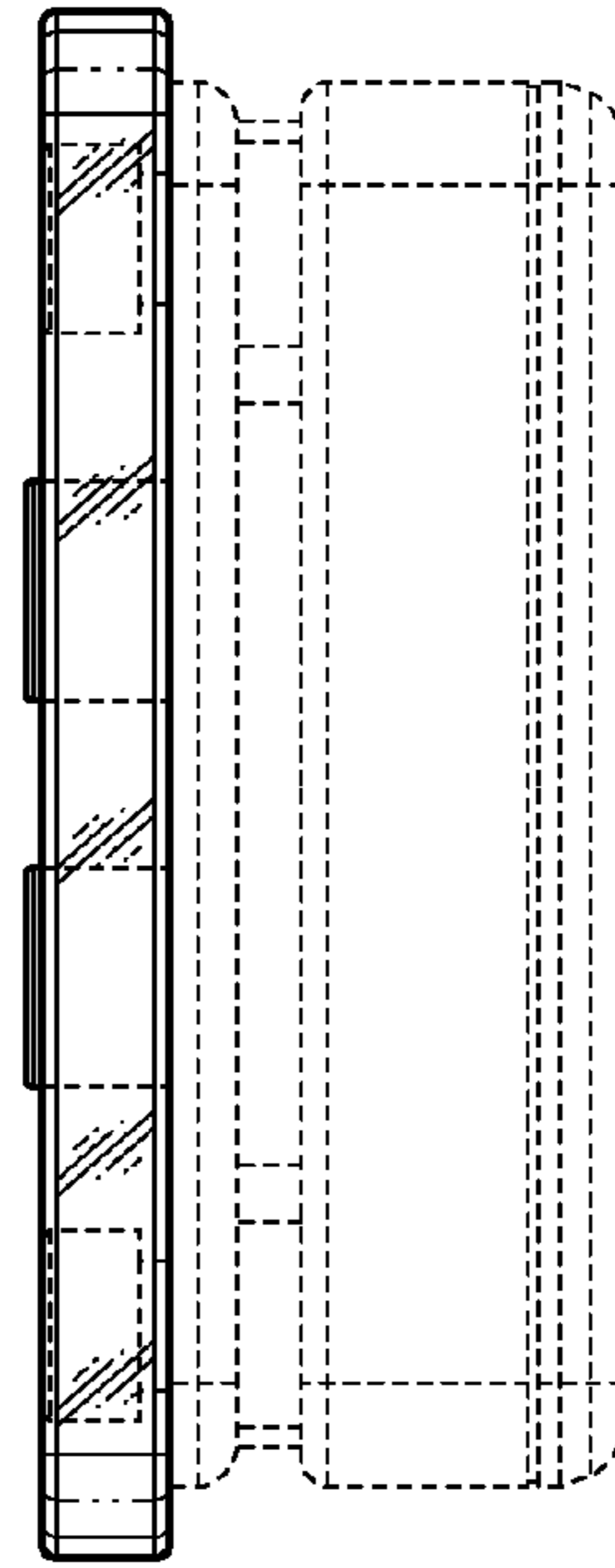


FIG. 28

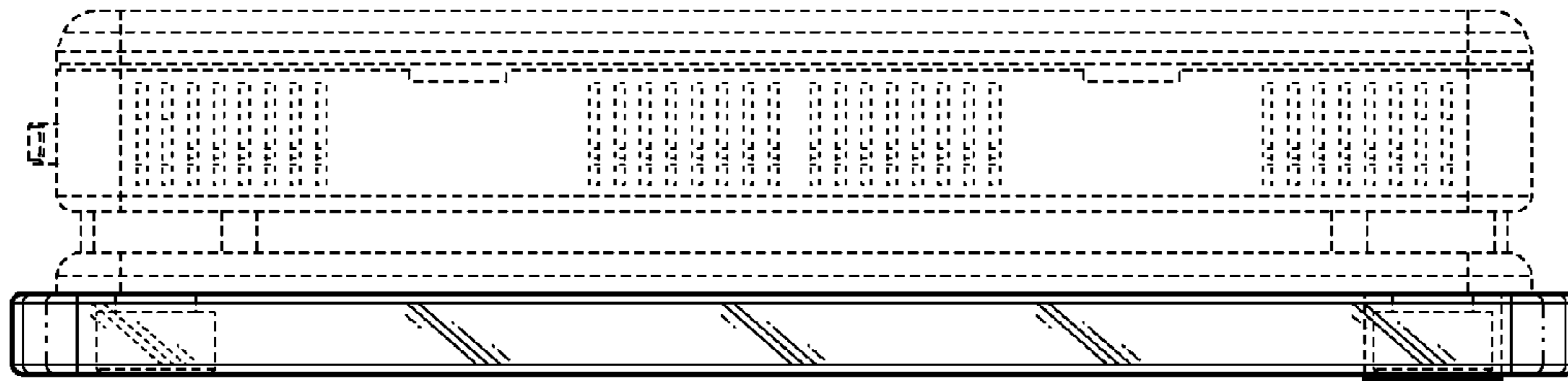


FIG. 29

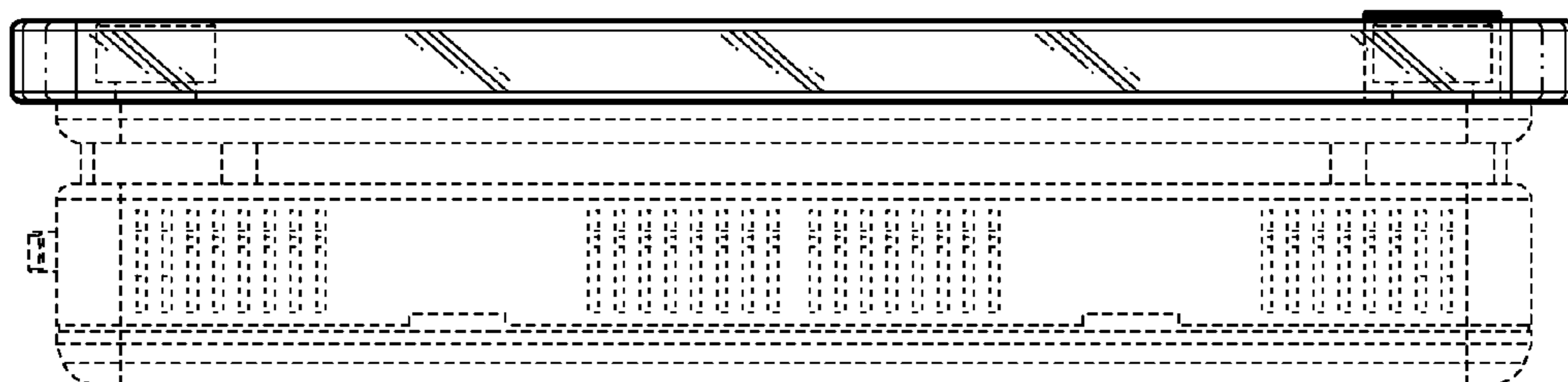


FIG. 30

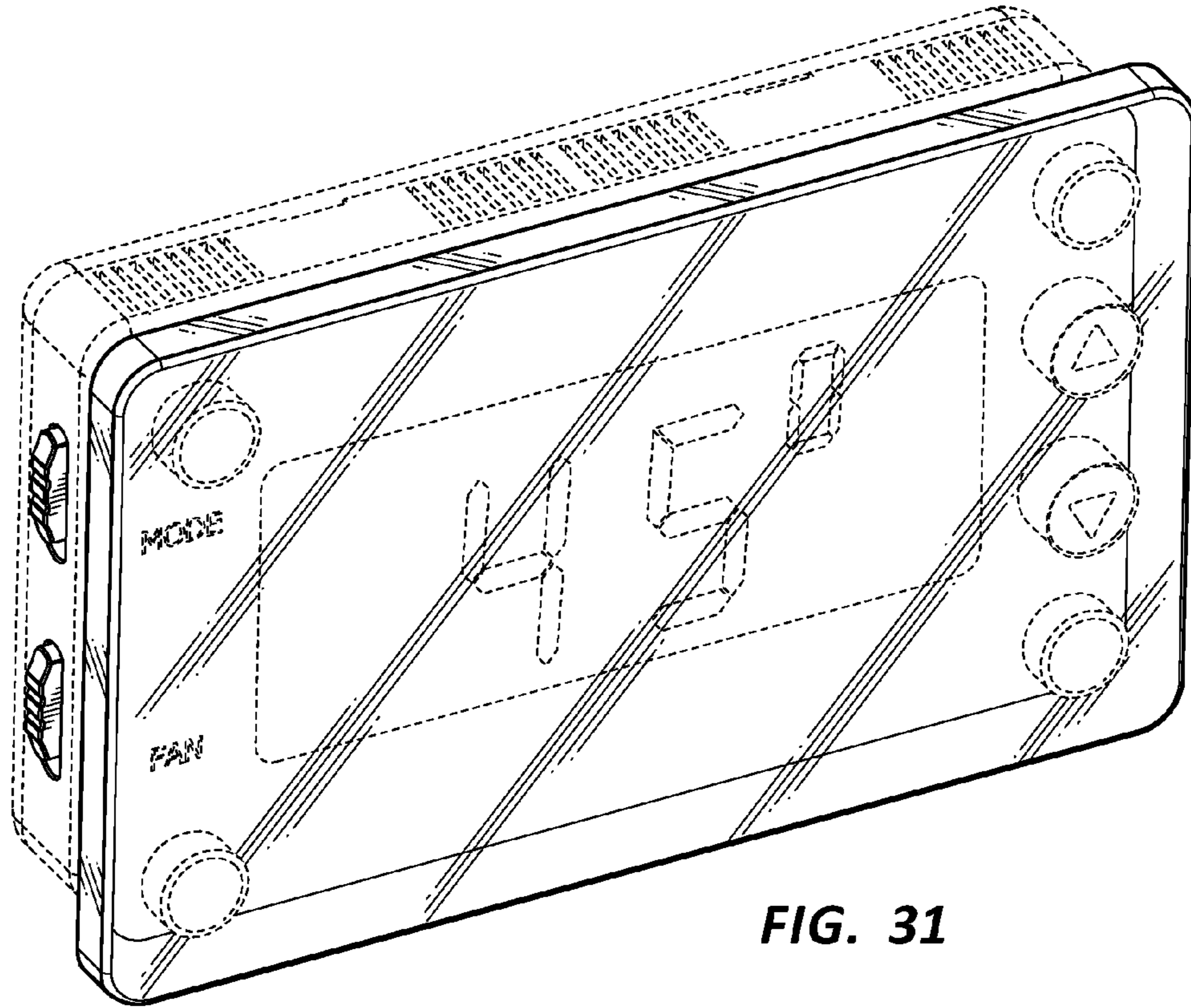


FIG. 31

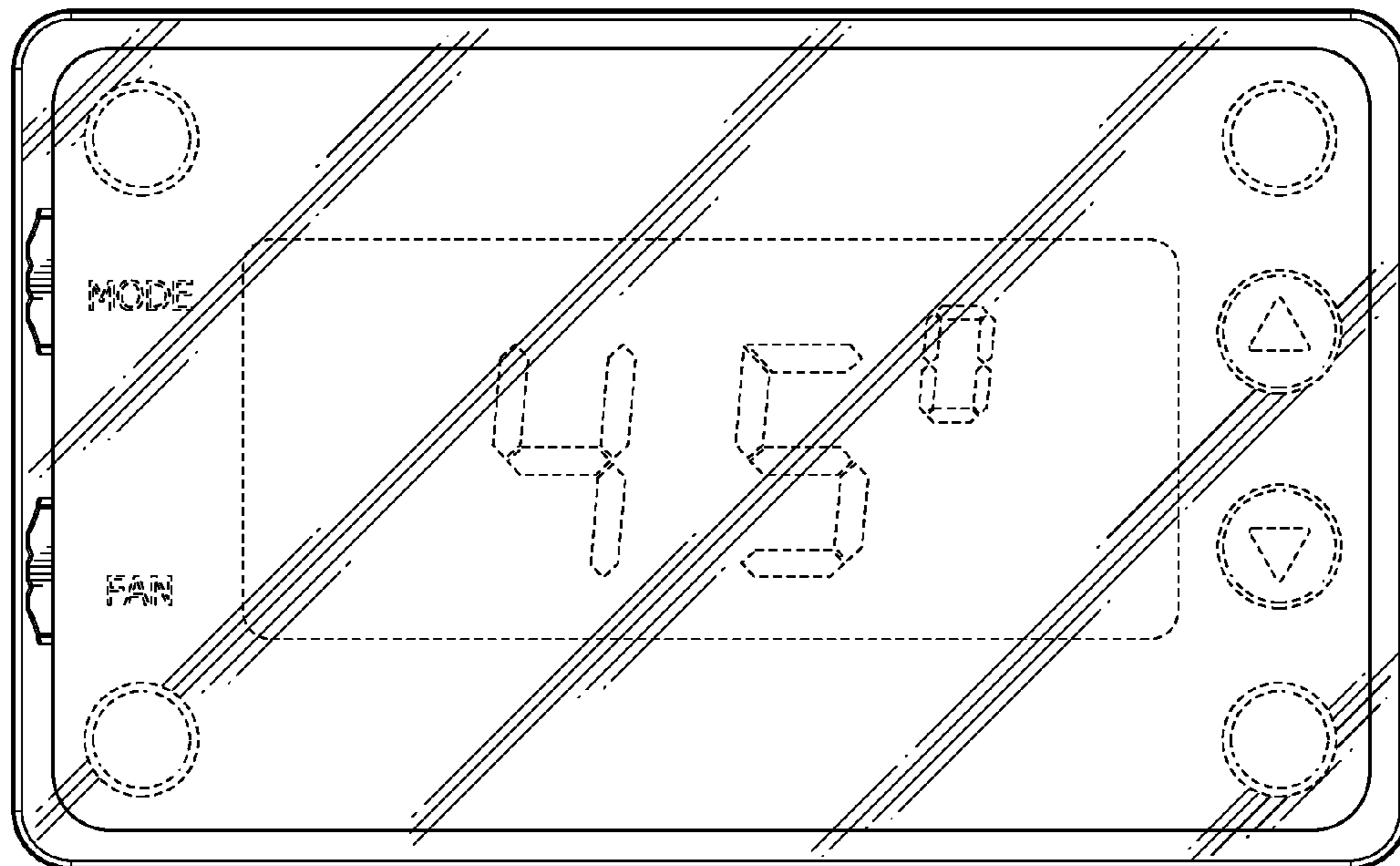


FIG. 32

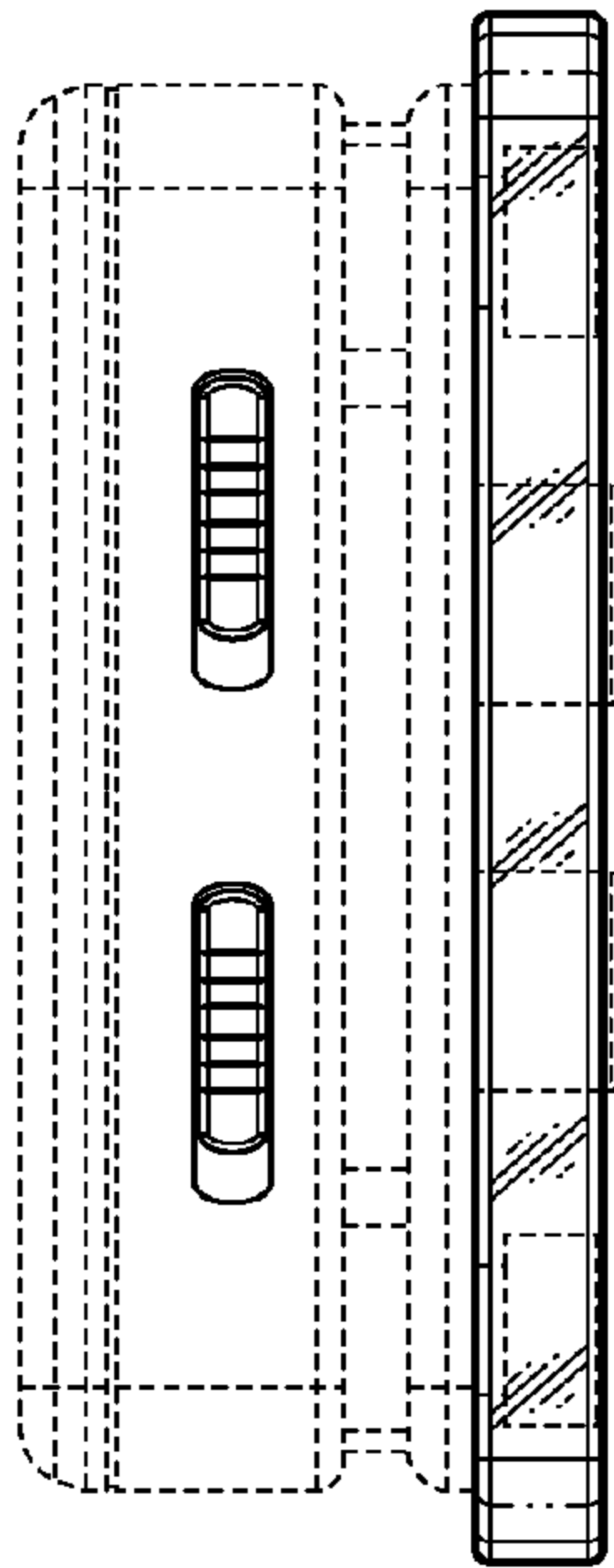


FIG. 33

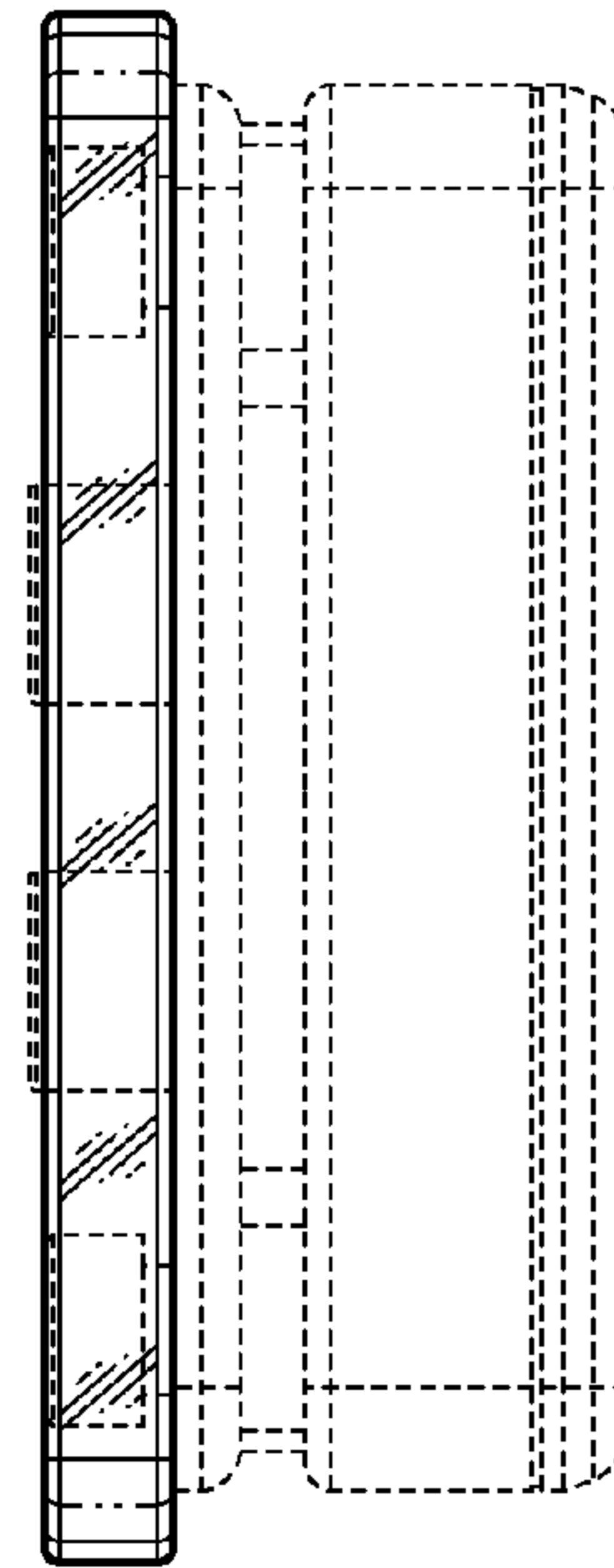


FIG. 34

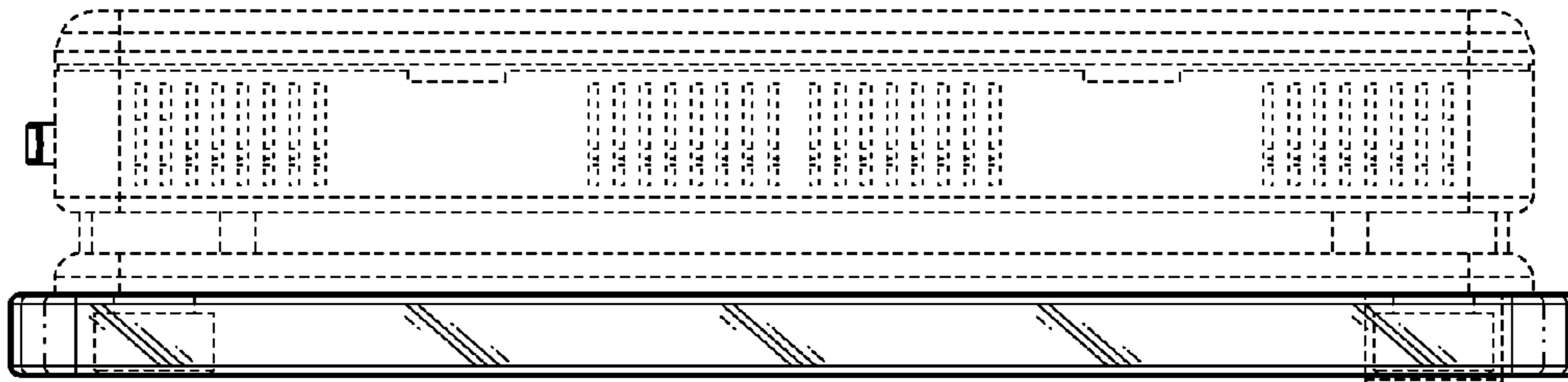


FIG. 35

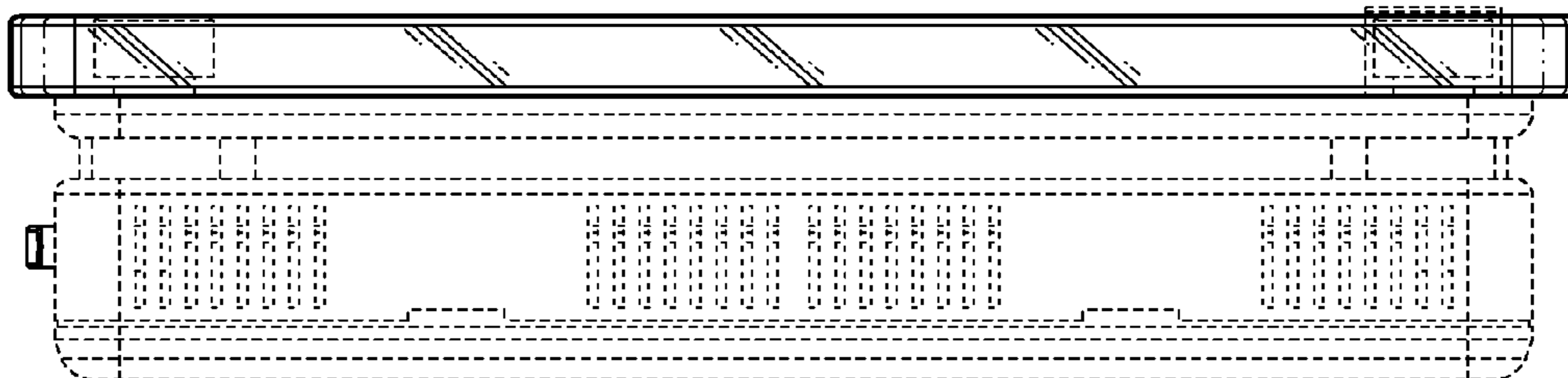


FIG. 36

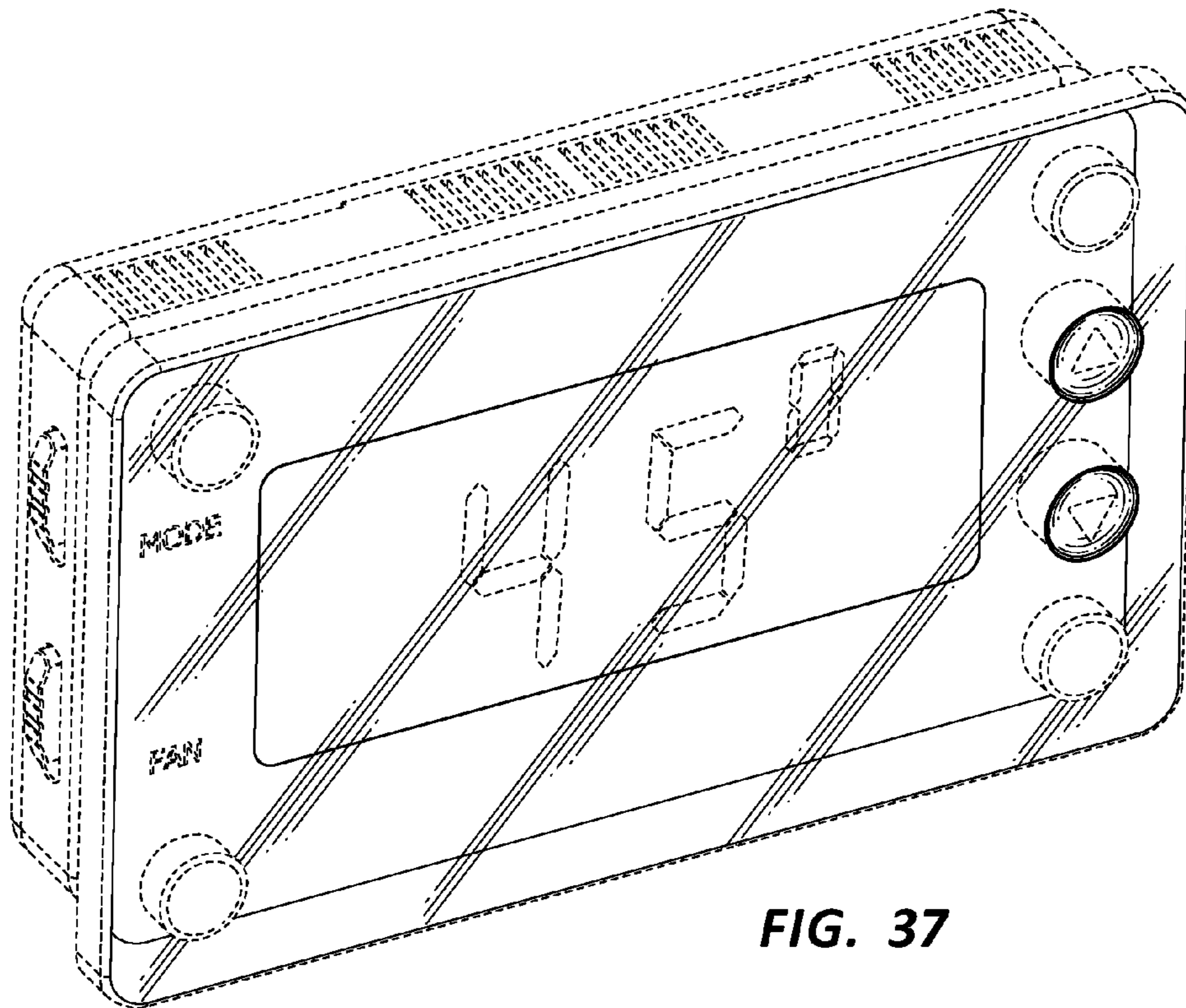


FIG. 37

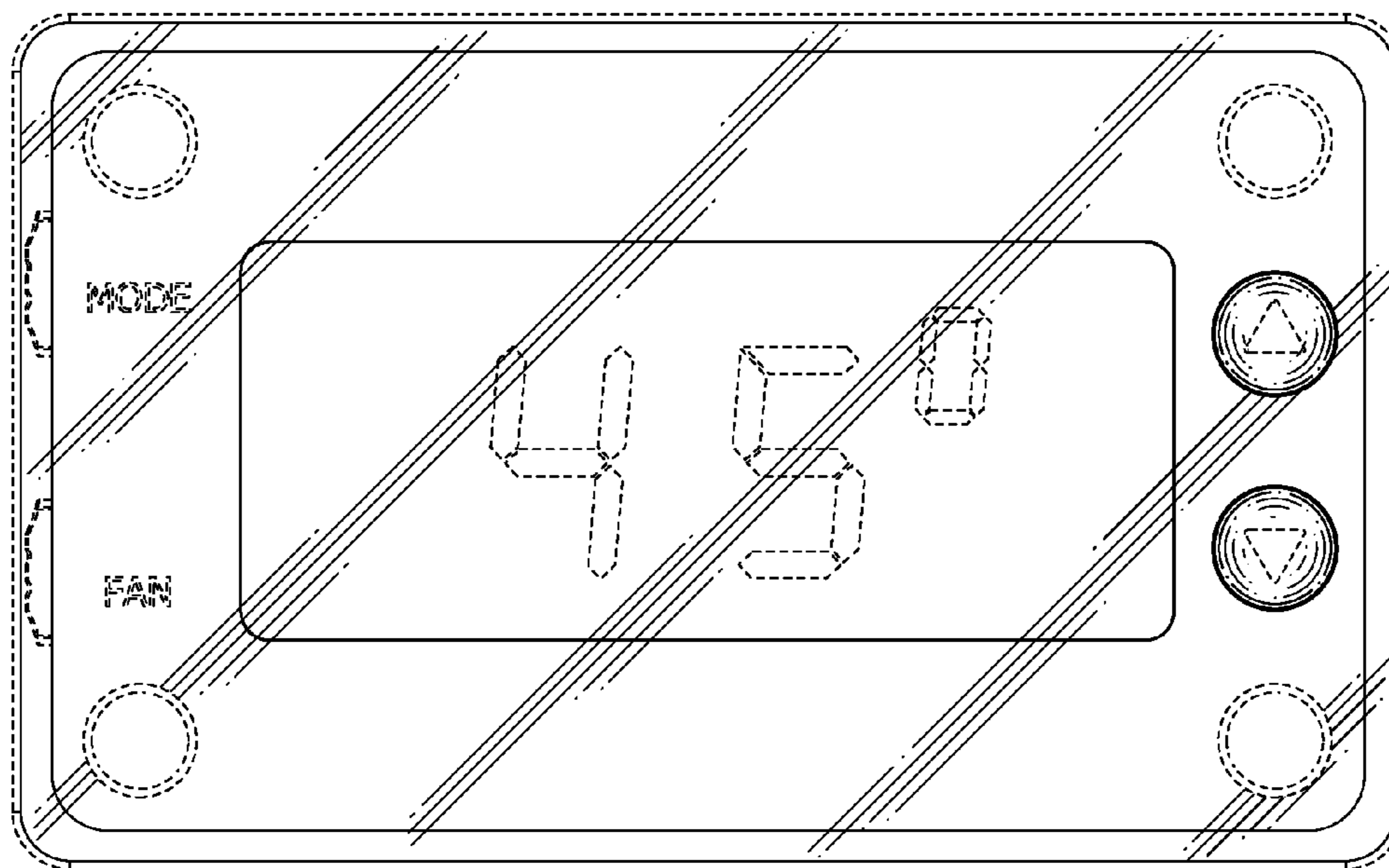


FIG. 38

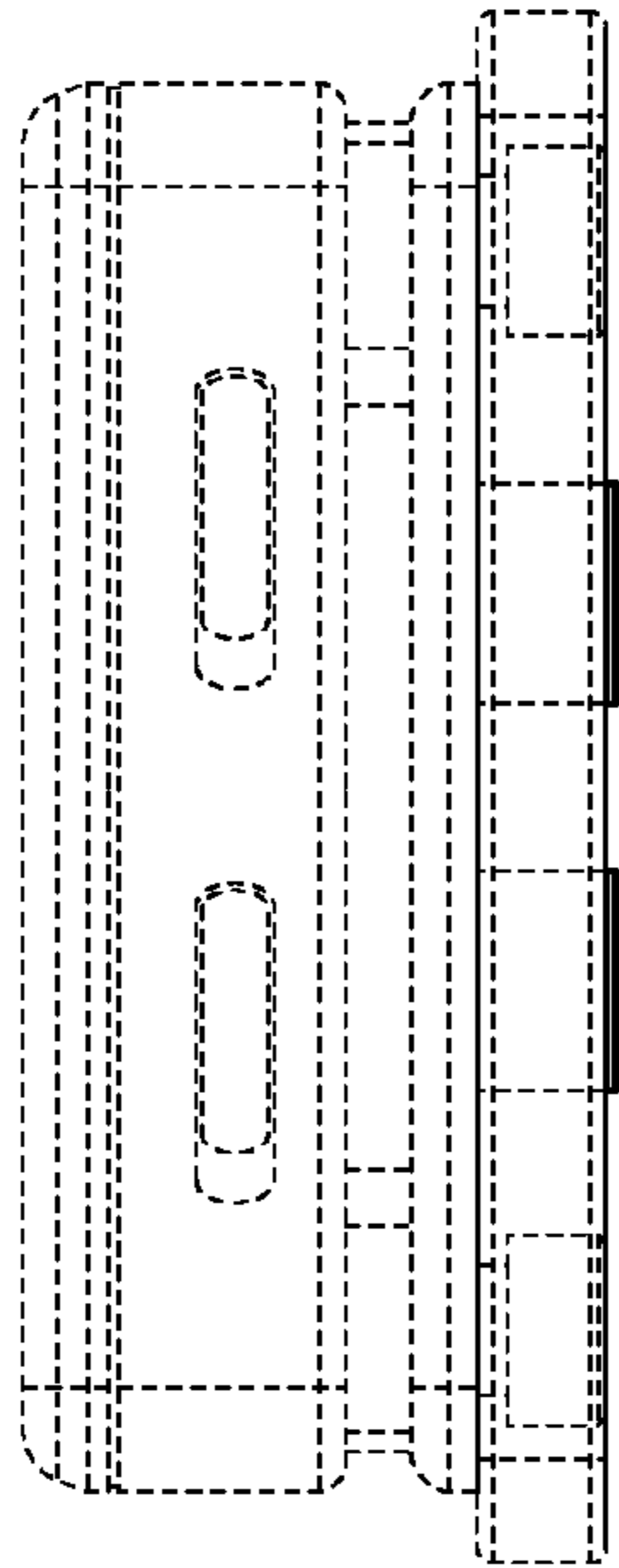


FIG. 39

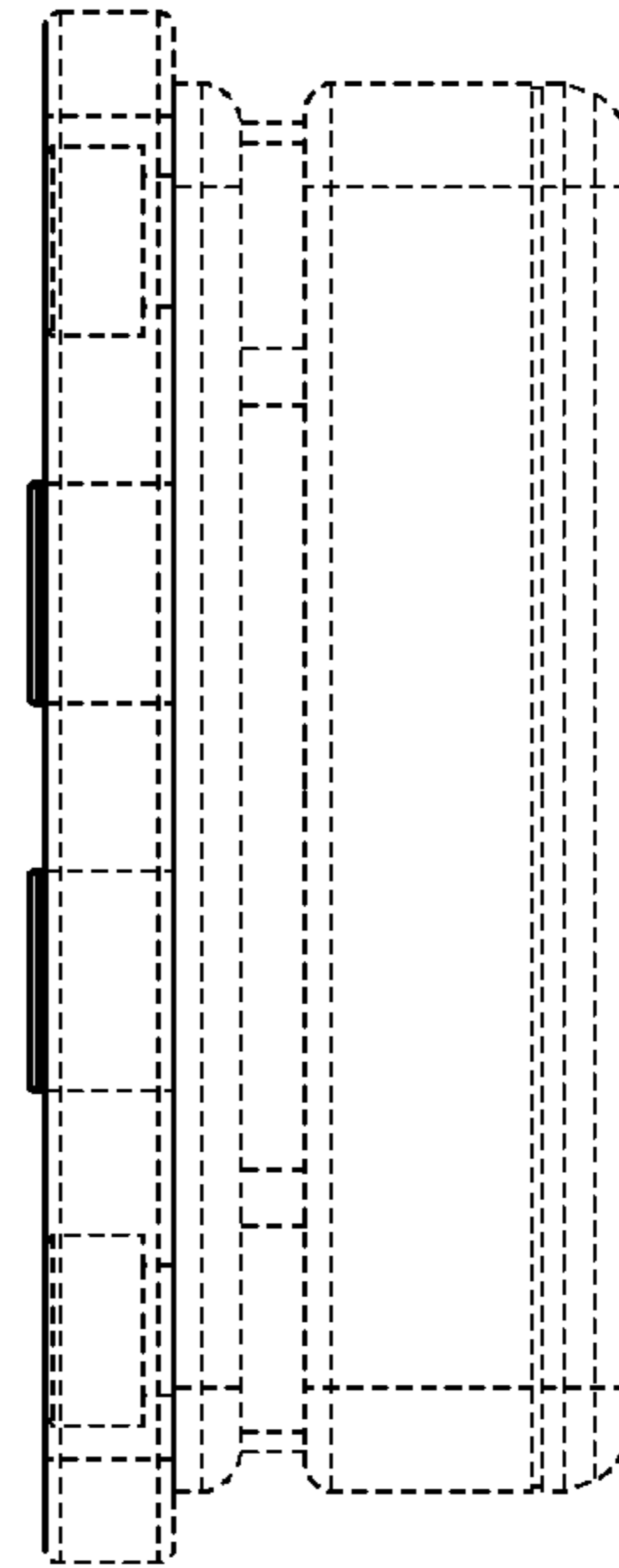


FIG. 40

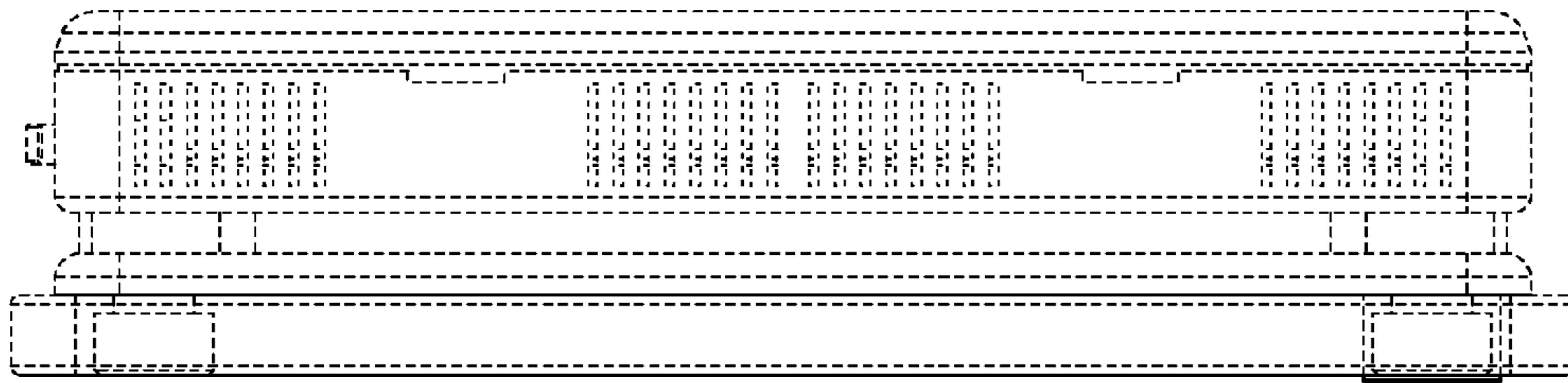


FIG. 41

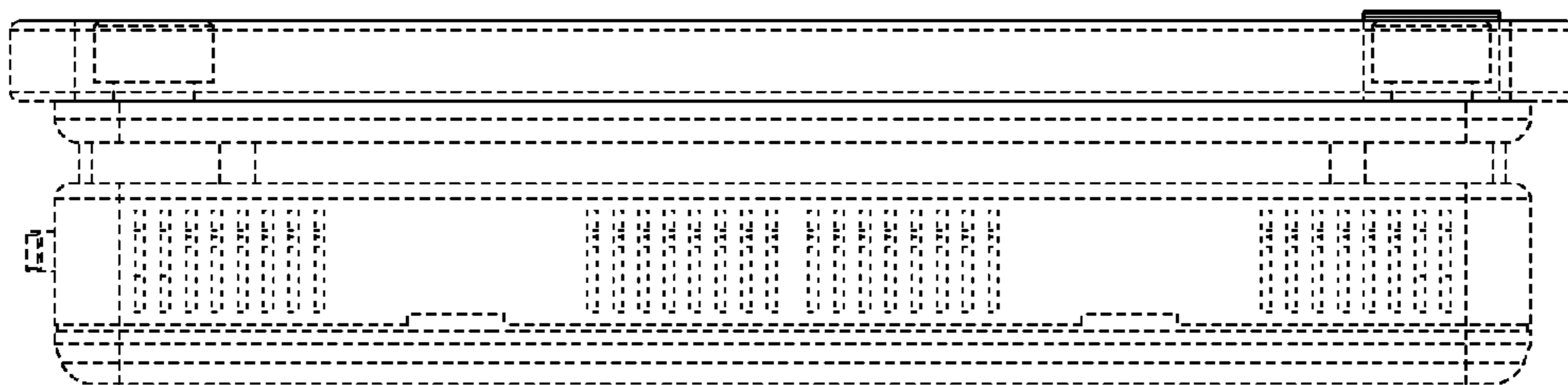


FIG. 42