



US00D676761S

(12) **United States Design Patent**
Marotti et al.

(10) **Patent No.:** **US D676,761 S**
(45) **Date of Patent:** **** Feb. 26, 2013**

(54) **CONTAINER**

(75) Inventors: **Martin Jay Marotti**, Carmel, IN (US);
Juan Carlos Vinseiro, Mason, OH (US)

(73) Assignee: **The Procter & Gamble Company**,
Cincinnati, OH (US)

(**) Term: **14 Years**

(21) Appl. No.: **29/401,947**

(22) Filed: **Sep. 19, 2011**

(51) **LOC (9) Cl.** **09-03**

(52) **U.S. Cl.** **D9/696**

(58) **Field of Classification Search** D9/702-714,
D9/695-699, 571, 516, 521-522, 442-443,
D9/447, 558, 526; D24/115, 118, 110, 224,
D24/121, 108, 104; 206/528, 530; 222/215,
222/92, 107, 95; 604/415, 212, 317; 215/47-49,
215/DIG. 3, 382, 246, 380-381; D28/91.1,
D28/76-78, 82, 88; D3/203.1, 202; 40/310-311
See application file for complete search history.

(56) **References Cited**

U.S. PATENT DOCUMENTS

- D47,434 S 6/1915 Orem
- D49,406 S 7/1916 Vivaudou
- D117,266 S 6/1939 Gerhart
- D175,447 S 8/1955 Tucker
- D176,225 S 11/1955 Morris
- D187,820 S 5/1960 Oradell
- D202,219 S * 9/1965 Drummond et al. D9/574
- D207,350 S 4/1967 Koenigsberg
- D211,005 S 5/1968 Vanderhyde
- D211,319 S 6/1968 Jeronimus
- D215,699 S 10/1969 Horne et al.
- D222,610 S 11/1971 Plummer
- D228,343 S 9/1973 Kretz
- D237,946 S 12/1975 Pardo
- D241,318 S * 9/1976 Lewman D9/563
- D243,442 S 2/1977 Montgomery
- D252,444 S 7/1979 Torongo, Jr.
- D253,166 S 10/1979 Pardo
- D264,305 S 5/1982 Pardo
- D278,124 S 3/1985 Coussie

- D282,529 S 2/1986 Pereira
- D399,752 S 10/1998 Farmer
- D414,703 S * 10/1999 Nosella D9/563
- D530,620 S 10/2006 Owens et al.
- D531,044 S 10/2006 Owens et al.
- D531,045 S 10/2006 Owens et al.
- D531,515 S 11/2006 Owens et al.
- D533,072 S 12/2006 Kelly
- D591,607 S * 5/2009 Marotti et al. D9/571
- D642,064 S * 7/2011 Sutton D9/544
- D650,678 S * 12/2011 Marotti D9/516
- D656,828 S * 4/2012 Marotti D9/516

FOREIGN PATENT DOCUMENTS

GB 2005599 8/1990

* cited by examiner

Primary Examiner — Caron D Veynar
Assistant Examiner — Abraham Bahta

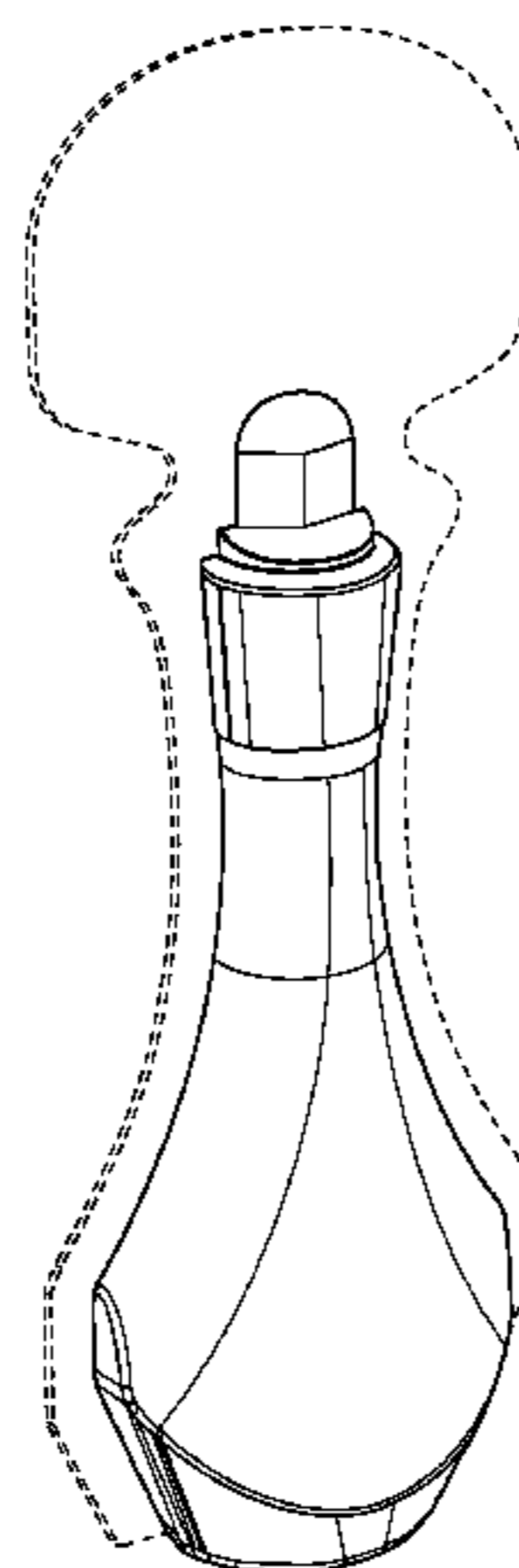
(57) **CLAIM**

The ornamental design for a container, as shown and described.

DESCRIPTION

FIG. 1 is a front perspective view of the container showing our new design;
 FIG. 2. is a front elevational view thereof;
 FIG. 3 is a rear elevational view thereof;
 FIG. 4 is a left side elevational view thereof;
 FIG. 5 is a right side elevational view thereof;
 FIG. 6 is a top plan view thereof;
 FIG. 7 is a bottom view thereof;
 FIG. 8 is a front perspective view of an alternate embodiment of the container, the stippling being indicative of a white or colored surface;
 FIG. 9 is a front elevation view thereof
 FIG. 10 is a rear elevational view thereof;
 FIG. 11 is a left side elevational view thereof;
 FIG. 12 is a right side elevational view thereof
 FIG. 13 is a top plan view thereof; and,
 FIG. 14 is a bottom view thereof.
 The broken line showing of portions of the container is included for the purpose of illustrating environmental structure and forms no part of the claimed design.

1 Claim, 4 Drawing Sheets



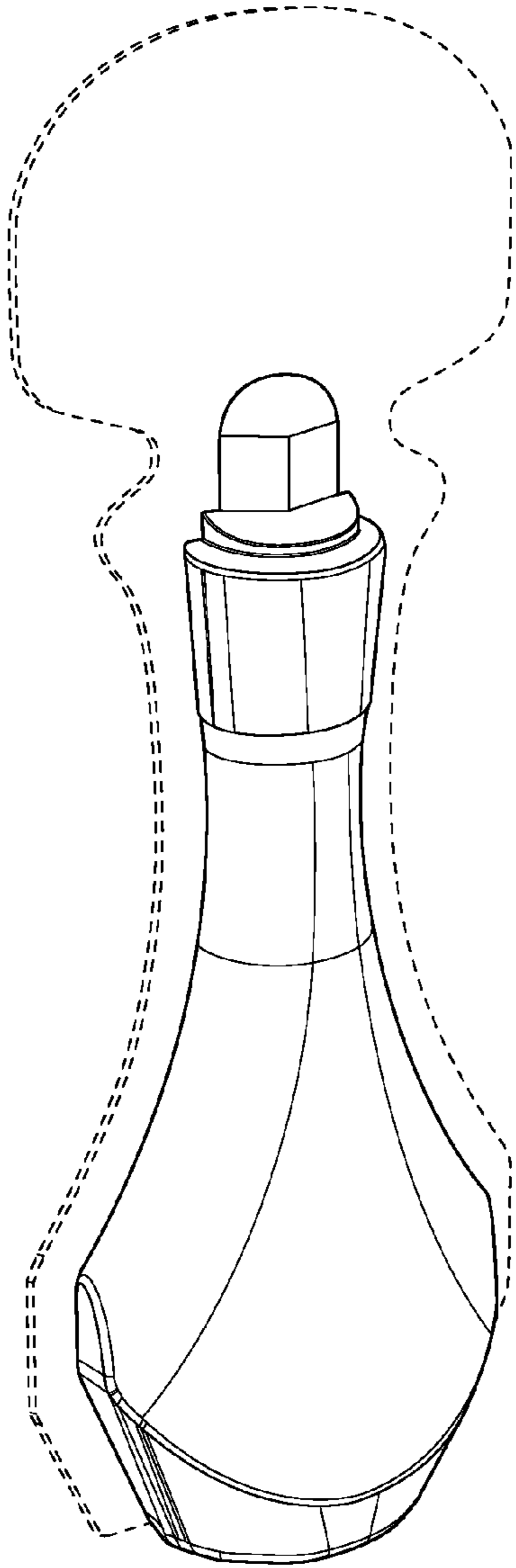


Fig. 1

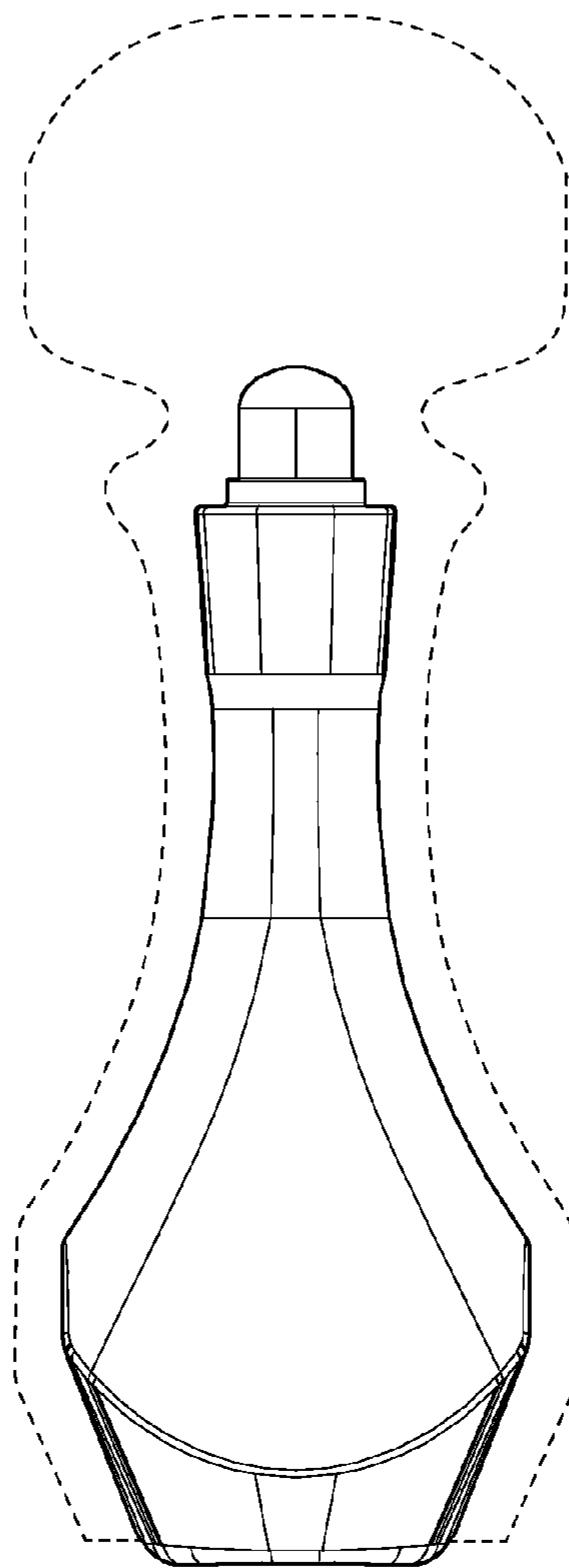


Fig. 2

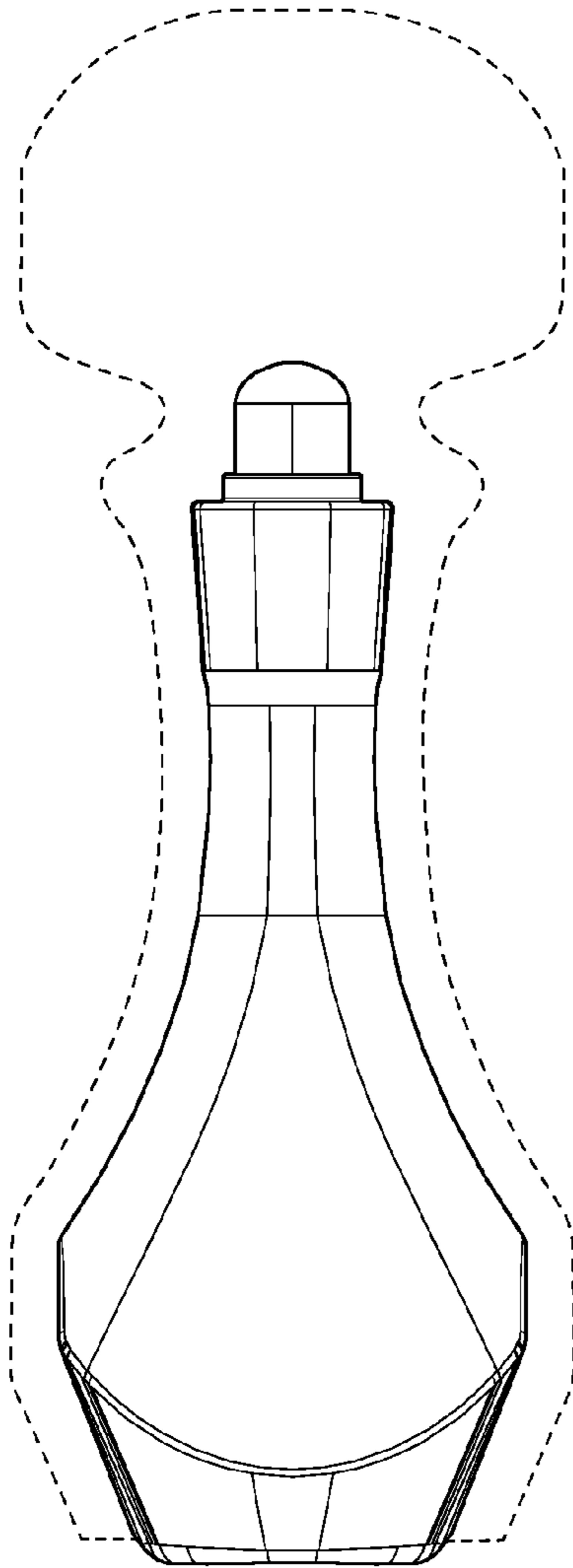


Fig. 3

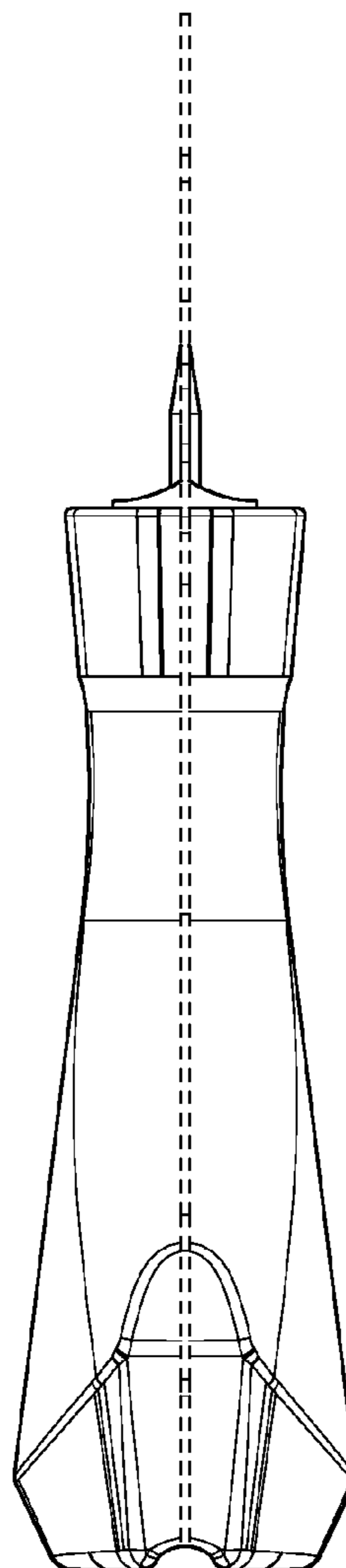


Fig. 4

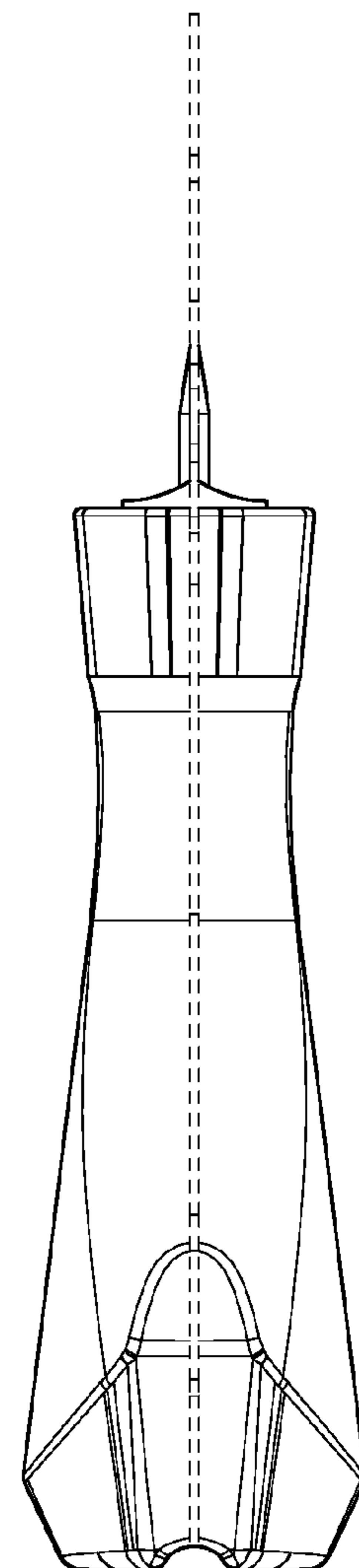


Fig. 5

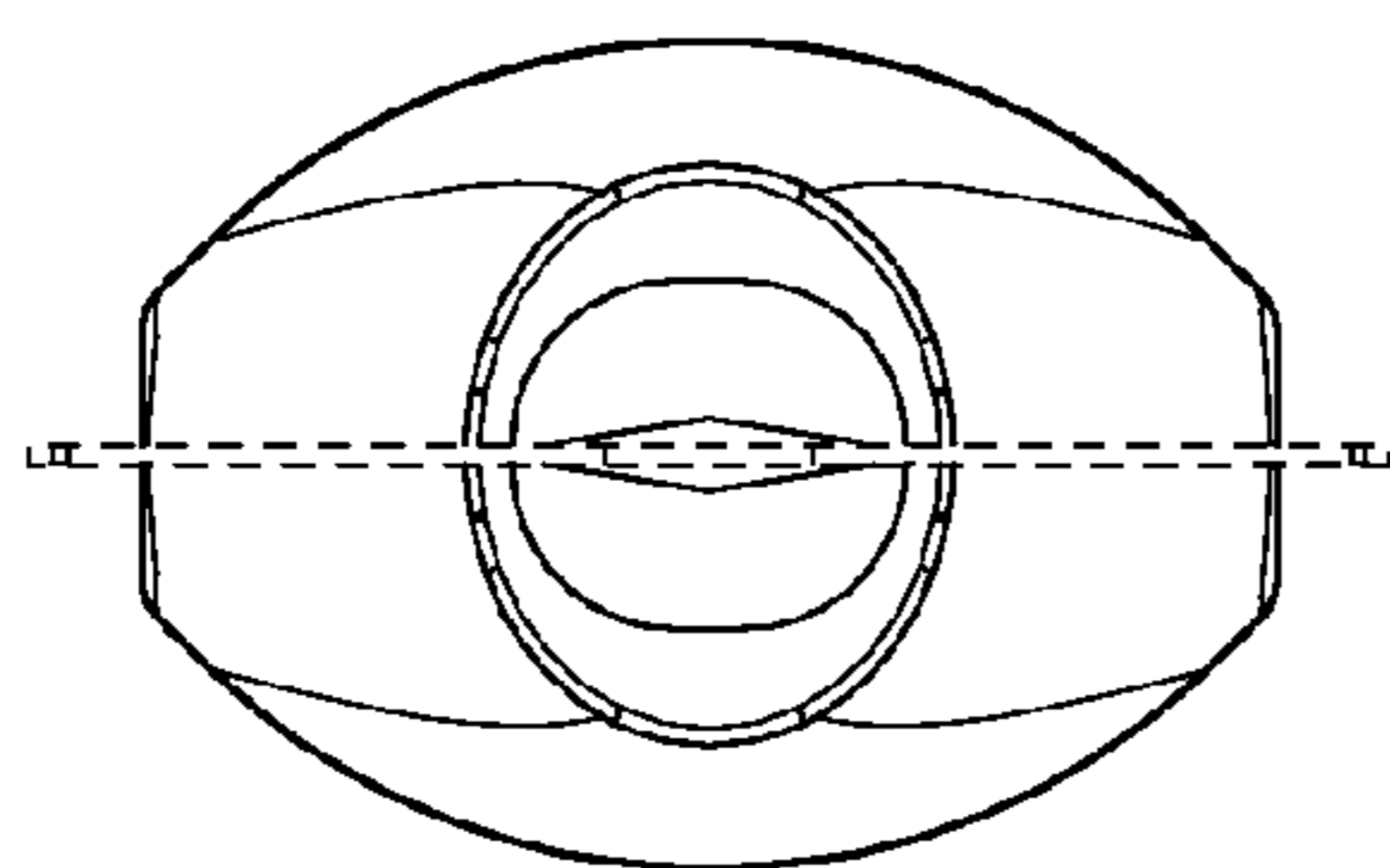


Fig. 6

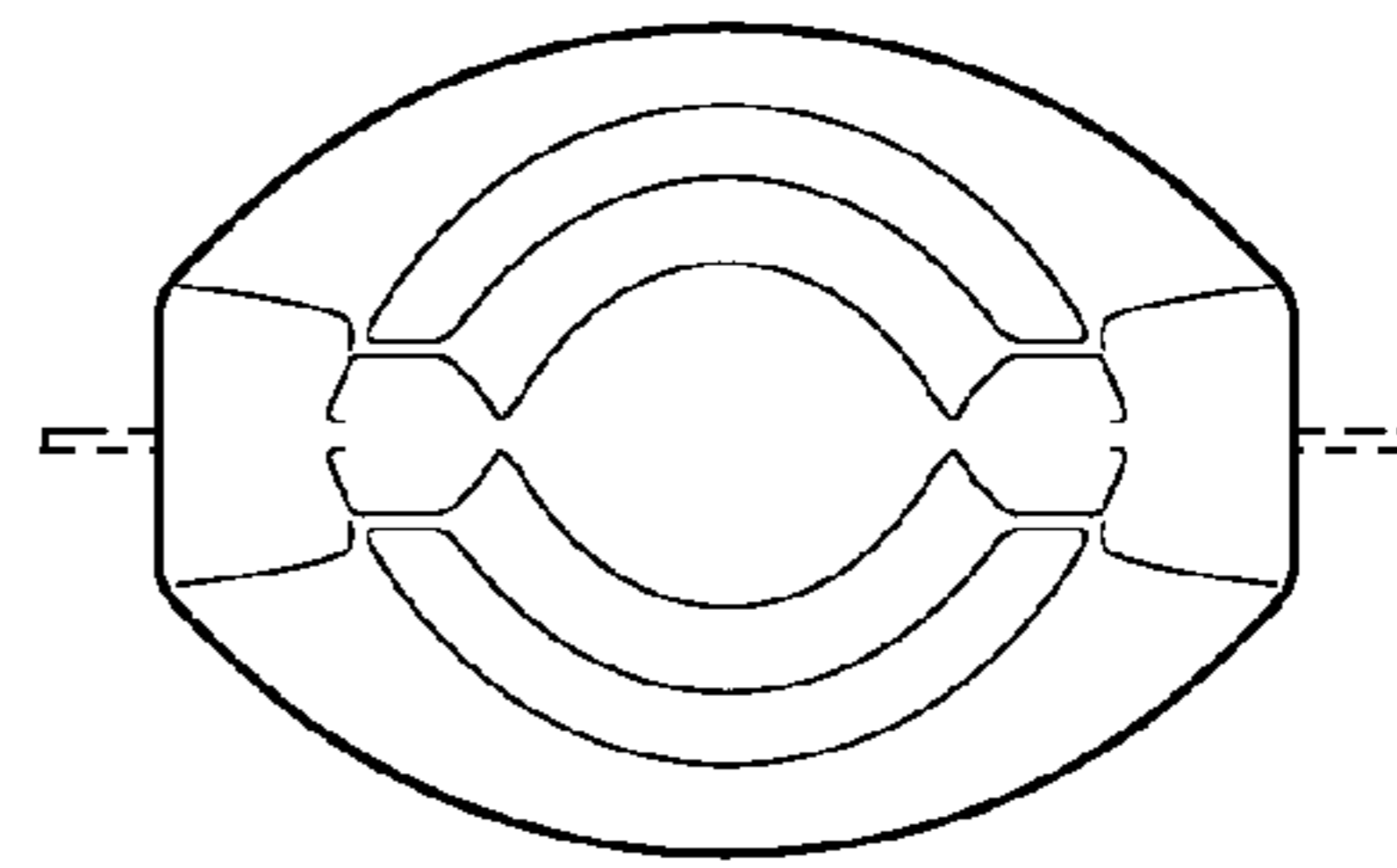


Fig. 7

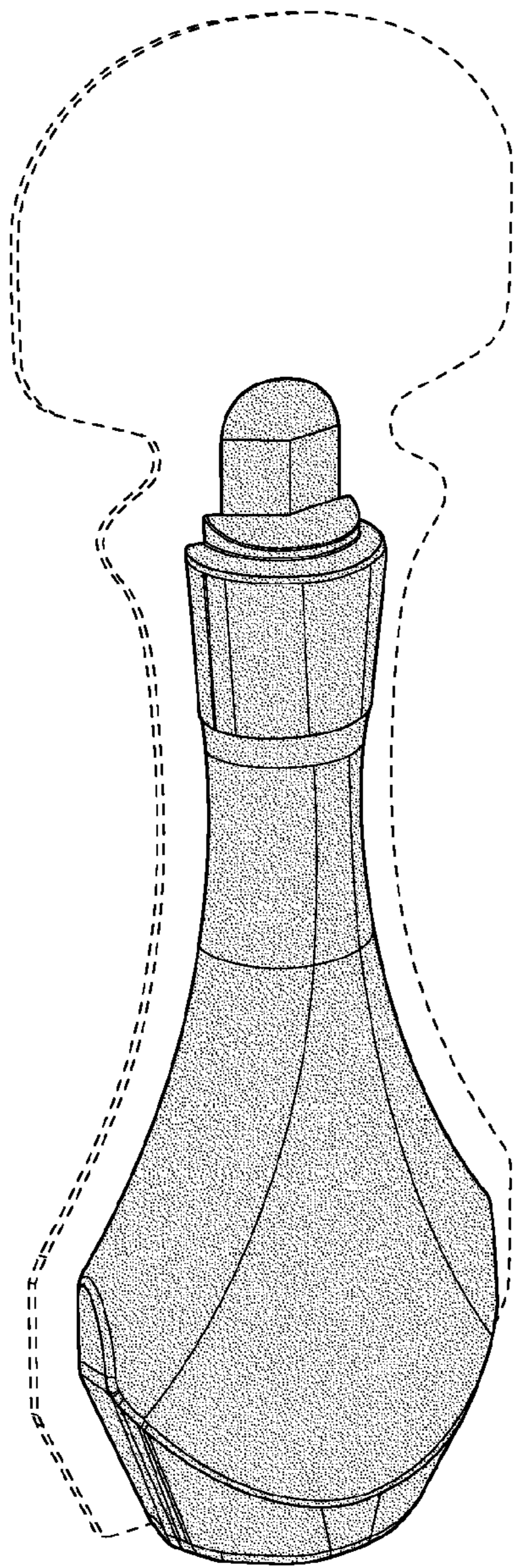


Fig. 8

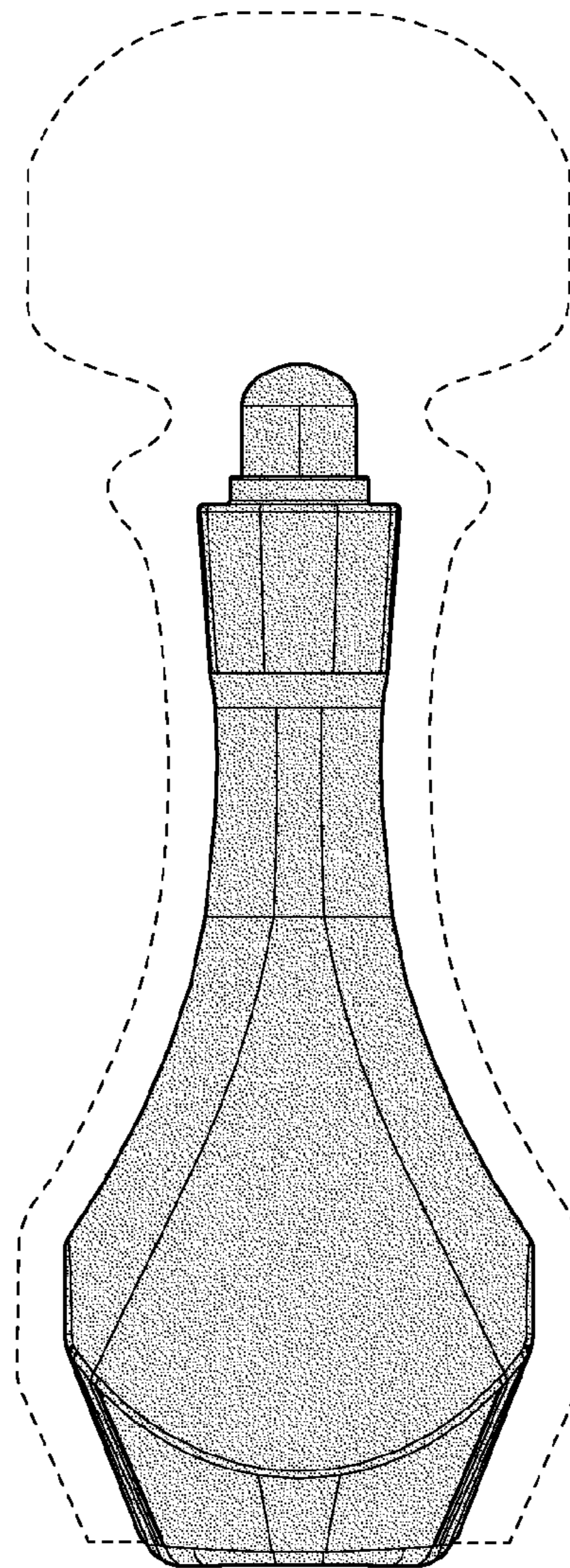


Fig. 9

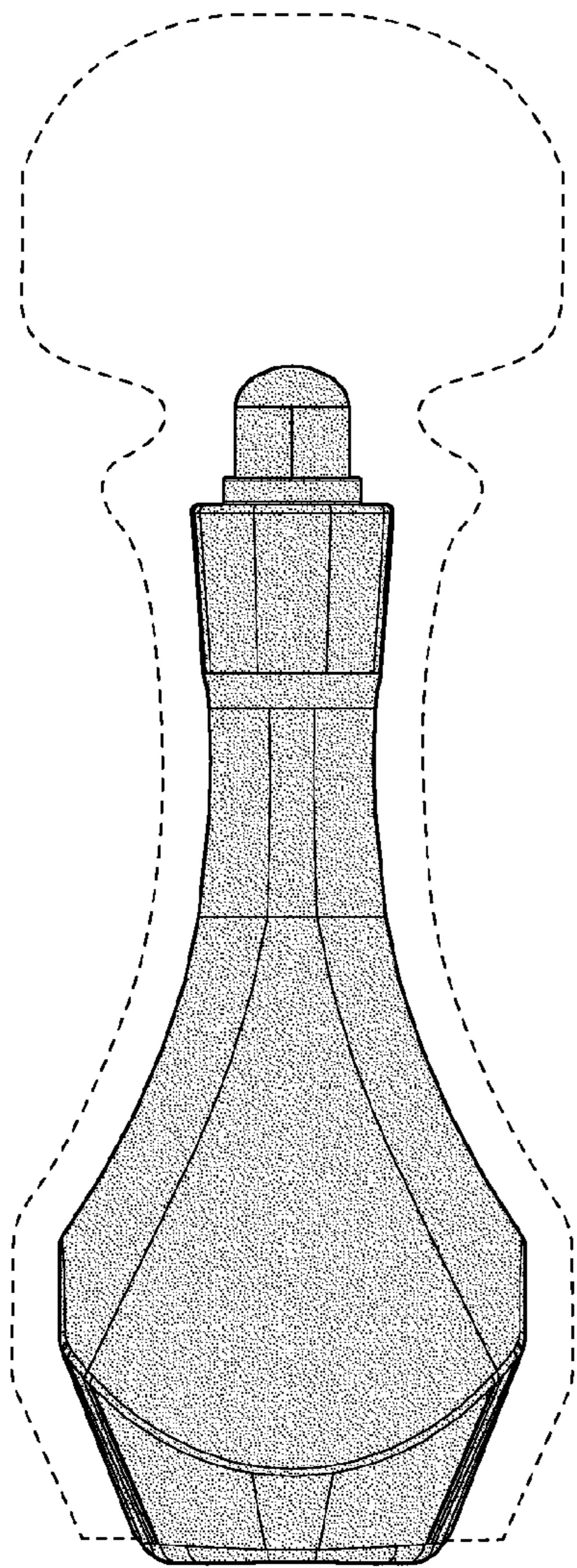


Fig. 10

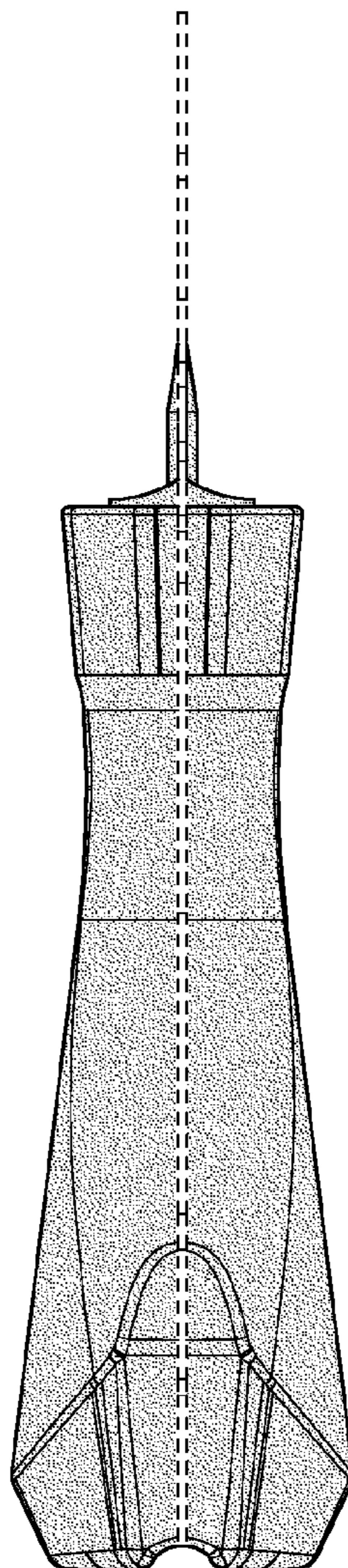


Fig. 11

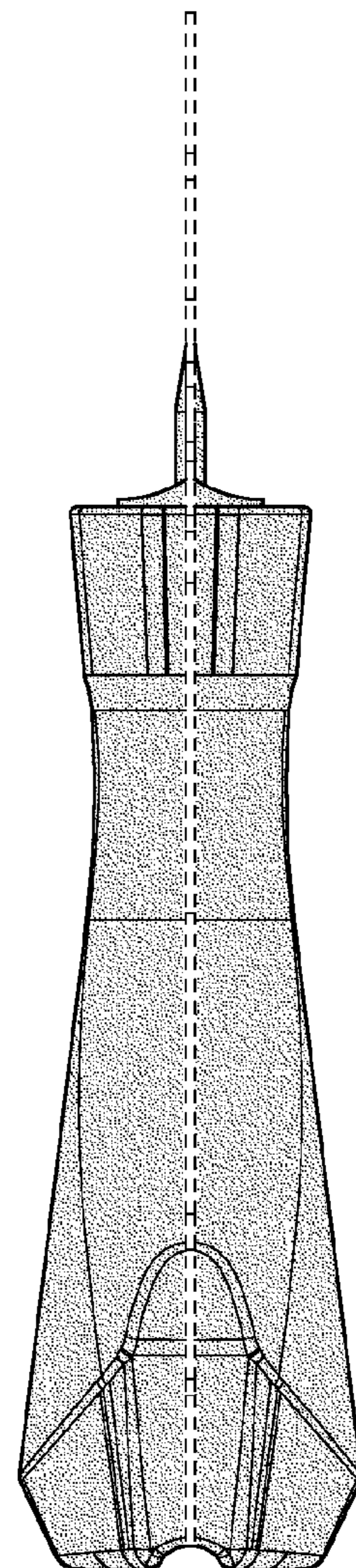


Fig. 12

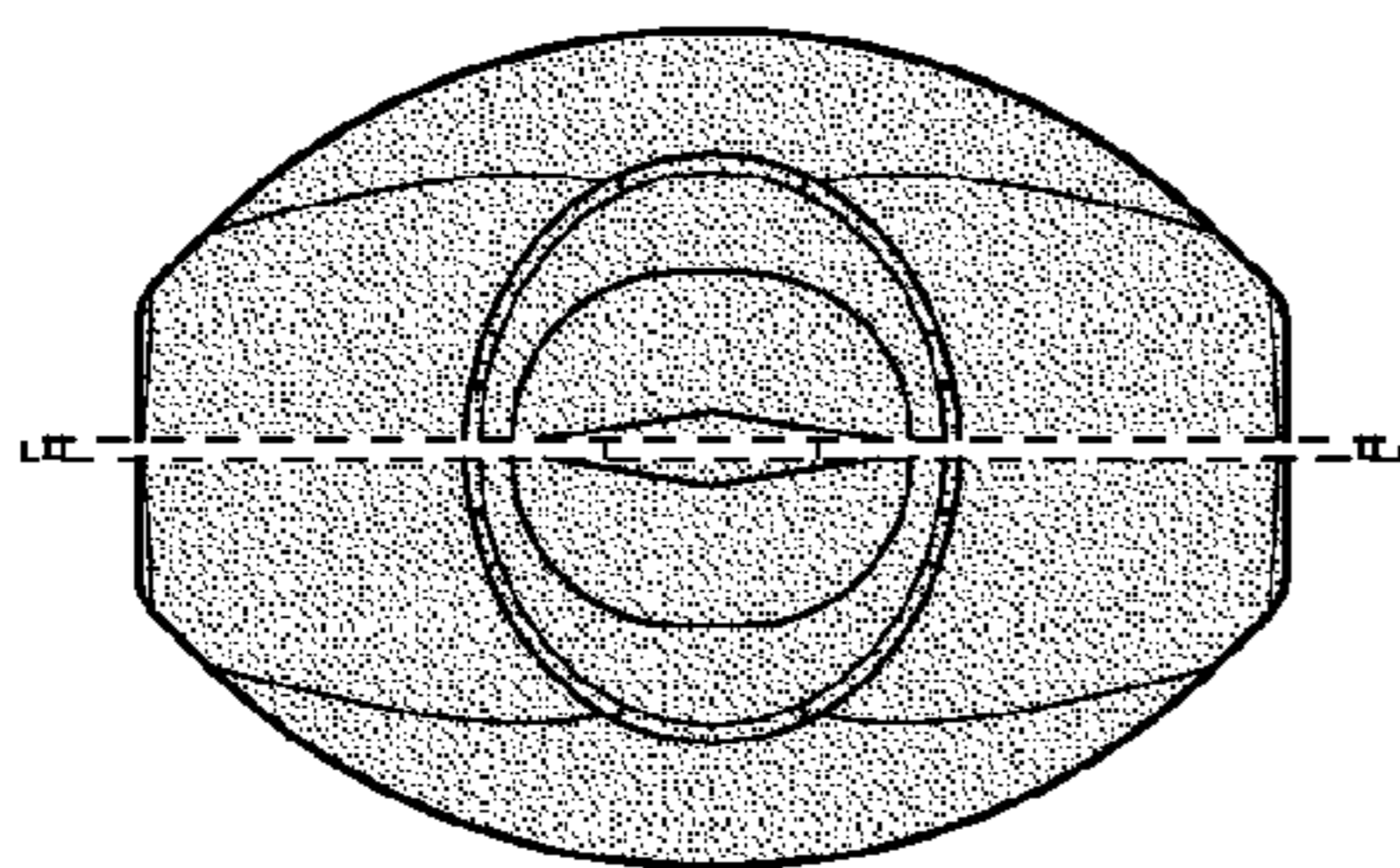


Fig. 13

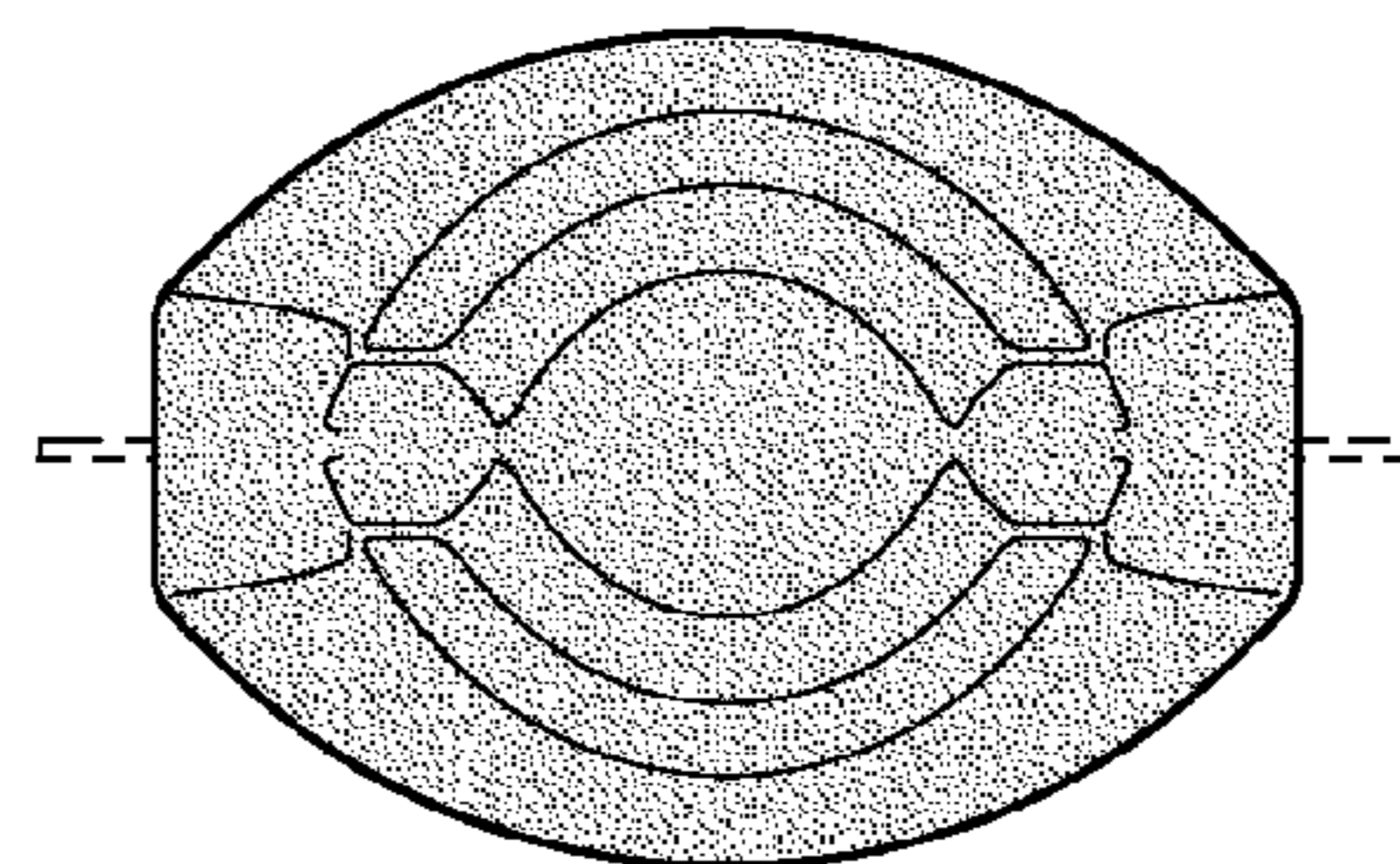


Fig. 14