



US00D676760S

(12) **United States Design Patent**
Baranowski et al.

(10) **Patent No.:** **US D676,760 S**
(45) **Date of Patent:** **** Feb. 26, 2013**

- (54) **COMBINED TRIGGER AND BOTTLE**
- (75) Inventors: **Brad P. Baranowski**, Racine, WI (US);
David A. Hoadley, Racine, WI (US);
Cinzia Galia, Alessandria (IT)
- (73) Assignee: **S.C. Johnson & Son, Inc.**, Racine, WI (US)
- (**) Term: **14 Years**
- (21) Appl. No.: **29/386,705**
- (22) Filed: **Mar. 3, 2011**
- (51) **LOC (9) Cl.** **09-01**
- (52) **U.S. Cl.** **D9/685**
- (58) **Field of Classification Search** D9/682-694,
D9/500-505, 526, 527, 447-450; 222/129,
222/135, 153.01, 153.03, 153.04, 153.09,
222/153.11-153.14, 182, 631, 635, 209,
222/211-213, 215, 321.7-321.9, 372, 373,
222/378, 379, 383.1, 384-386, 398, 400.7,
222/400.8, 401, 402.1-402.25; 215/379-385;
220/669-675
See application file for complete search history.

- D351,991 S 11/1994 Bertolini
- D353,321 S 12/1994 Steijns et al.
- 5,507,418 A 4/1996 Dobbs et al.
- 5,542,581 A 8/1996 Habora et al.
- 5,553,750 A 9/1996 Foster
- 5,570,840 A 11/1996 Gettinger et al.
- 5,575,407 A 11/1996 Foster et al.
- 5,636,768 A 6/1997 Yamada
- 5,704,521 A 1/1998 Grogan et al.
- 5,706,984 A 1/1998 Tada et al.
- D400,102 S 10/1998 Tada
- D406,052 S 2/1999 Dumont et al.
- 5,944,223 A 8/1999 Klima et al.
- 6,168,050 B1 1/2001 Battezzore
- 6,206,243 B1 3/2001 Schneider et al.
- 6,223,380 B1 5/2001 Klima et al.
- D444,700 S 7/2001 Ebert
- D446,721 S 8/2001 Kimble et al.

(Continued)

FOREIGN PATENT DOCUMENTS

- AU 319086 S 4/2008
- AU 319087 S 4/2008

(Continued)

Primary Examiner — Catherine Tuttle

(57) **CLAIM**

The ornamental design for a combined trigger and bottle, as shown and described.

DESCRIPTION

FIG. 1 is a top, front and left isometric view of the combined trigger and bottle showing our new design; FIG. 2 is a front elevational view of FIG. 1; FIG. 3 is a rear elevational view of FIG. 1; FIG. 4 is a left side elevational view of FIG. 1; FIG. 5 is a right side elevational view of FIG. 1; and, FIG. 6 is a top plan view of FIG. 1.

The broken lines are for the purpose of illustrating environmental structure and form no part of the claimed design. Further, the bottom view forms no part of the claimed invention.

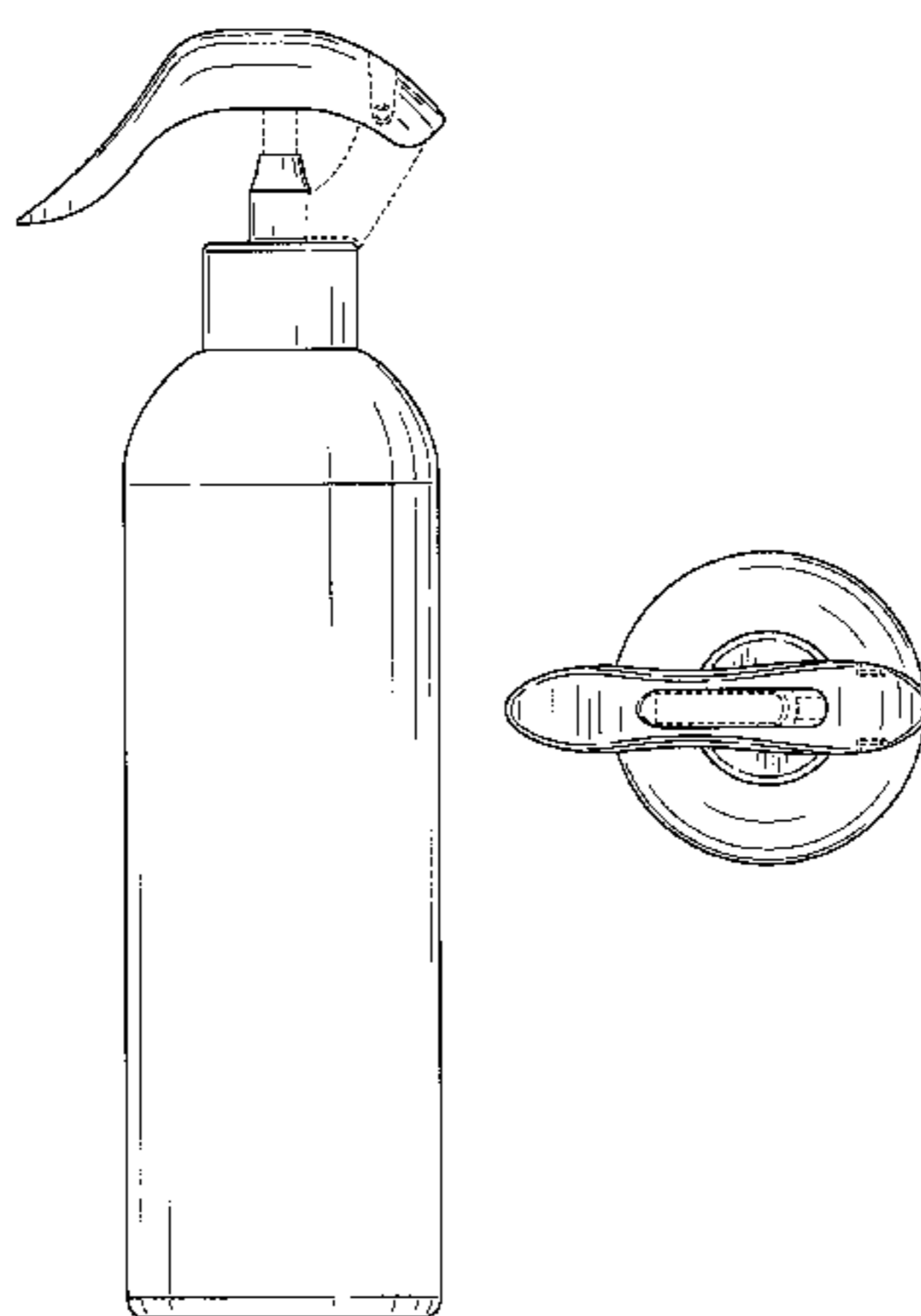
The broken lines are included for the purpose of illustrating portions of the combined trigger and bottle that form no part of the claimed design. Further, the bottom view forms no part of the claimed invention.

1 Claim, 4 Drawing Sheets

(56) **References Cited**

U.S. PATENT DOCUMENTS

- 3,797,749 A * 3/1974 Tada 239/321
- D239,372 S * 3/1976 Brooks et al. D9/448
- D243,333 S 2/1977 Tada
- D247,302 S 2/1978 Federico et al.
- D251,382 S 3/1979 Reed
- D259,332 S 5/1981 Walton
- D272,081 S 1/1984 Suhajda et al.
- 4,434,917 A 3/1984 Saito et al.
- 4,643,338 A 2/1987 Iizuka
- 4,922,859 A 5/1990 Durell et al.
- 5,018,647 A 5/1991 Abplanalf
- D327,222 S 6/1992 Fuchs
- 5,119,974 A 6/1992 Mann
- 5,147,074 A 9/1992 Battezzore
- D338,616 S * 8/1993 MacDonald et al. D9/600
- 5,257,724 A 11/1993 Steijns
- D349,642 S 8/1994 Abfier
- D351,646 S 10/1994 Foster et al.



US D676,760 S

Page 3

JP	D1286742	11/2006
JP	D1305668	7/2007
JP	D1325002	3/2008
JP	D1327148	4/2008
JP	D1327410	4/2008

JP	D1377762	1/2010
WO	WO2010013908 A2	2/2010
WO	WO2011030232 A1	3/2011

* cited by examiner

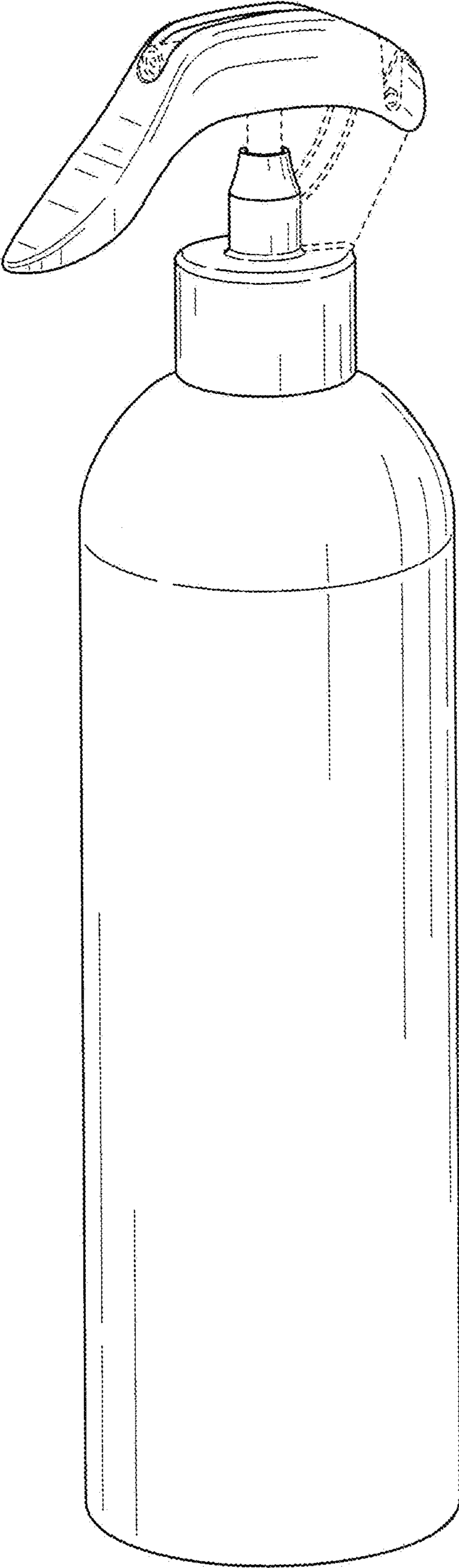


FIG. 1

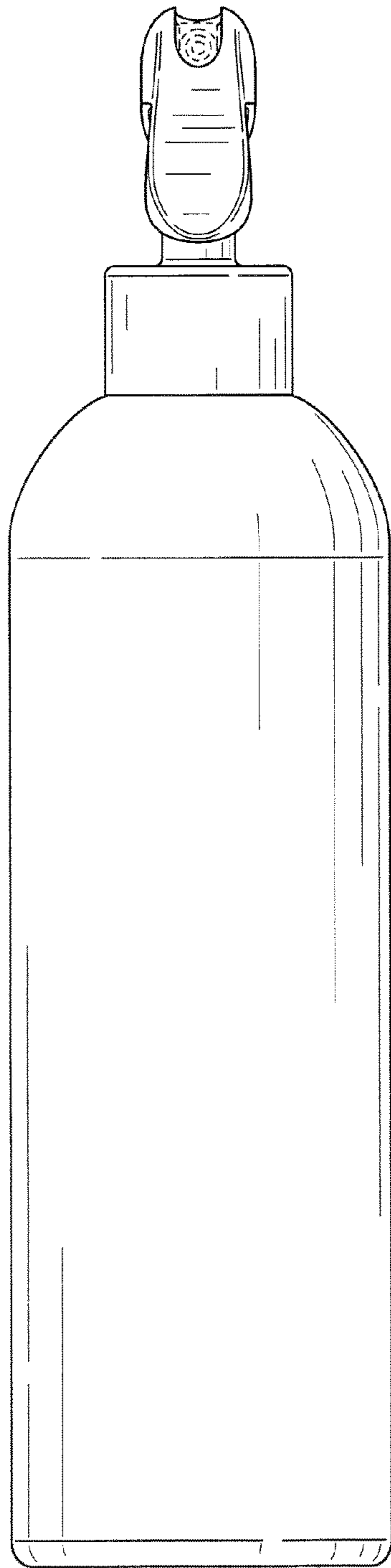


FIG. 2

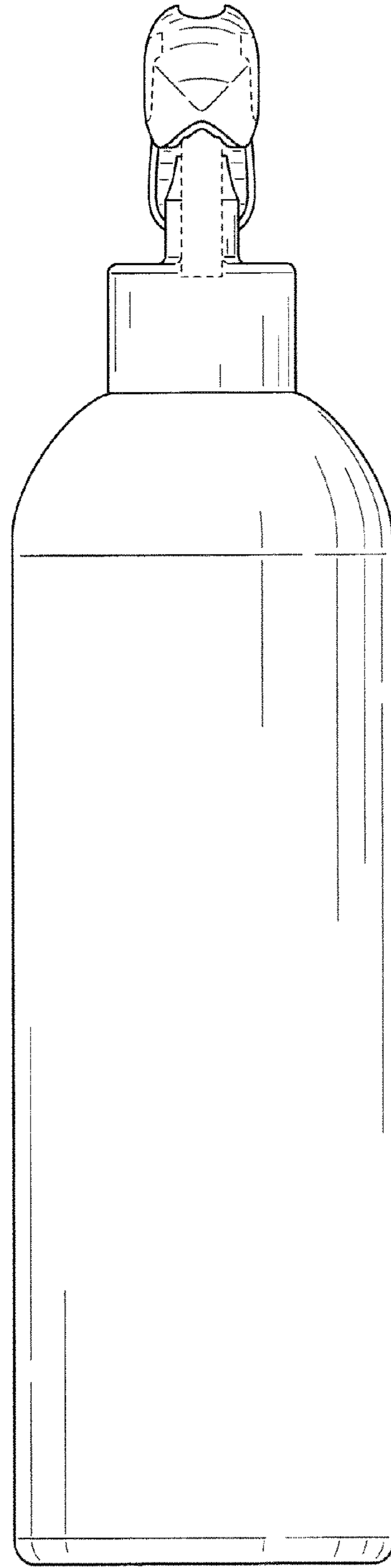


FIG. 3

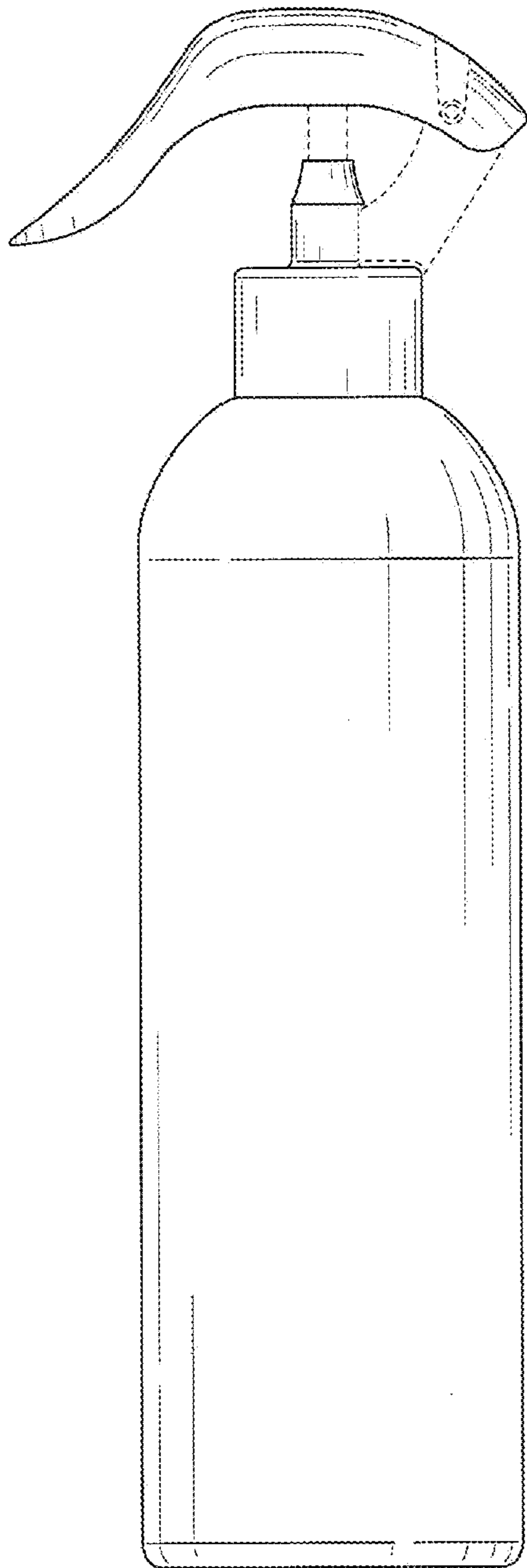


FIG. 4

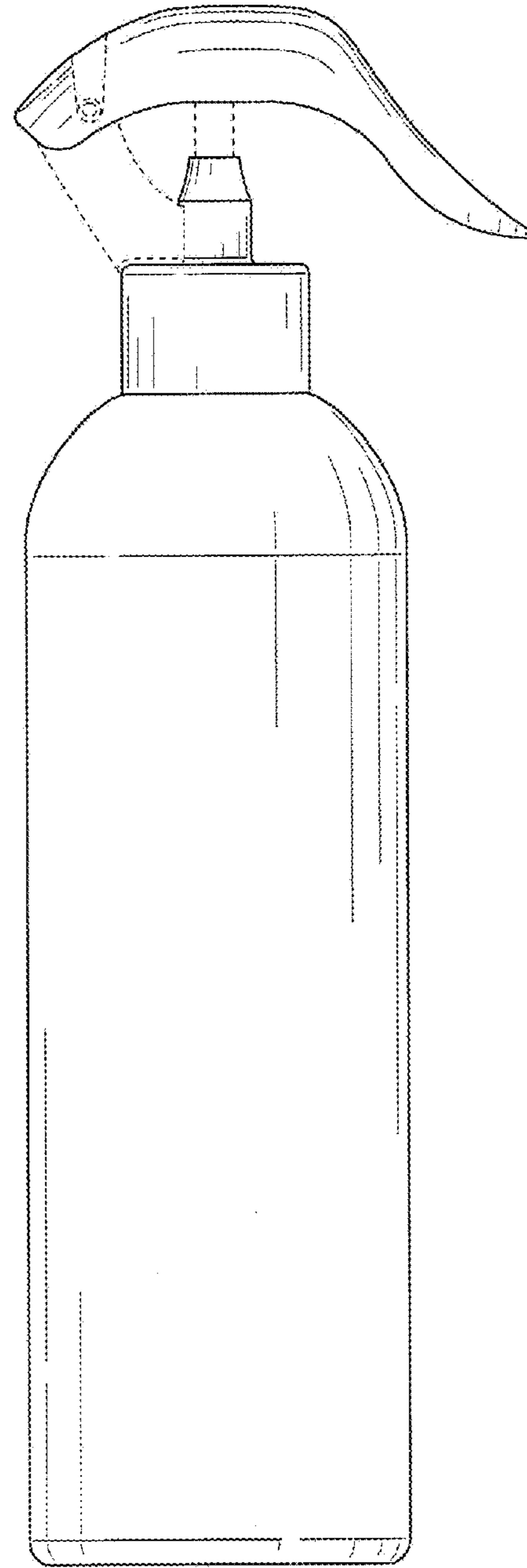


FIG. 5

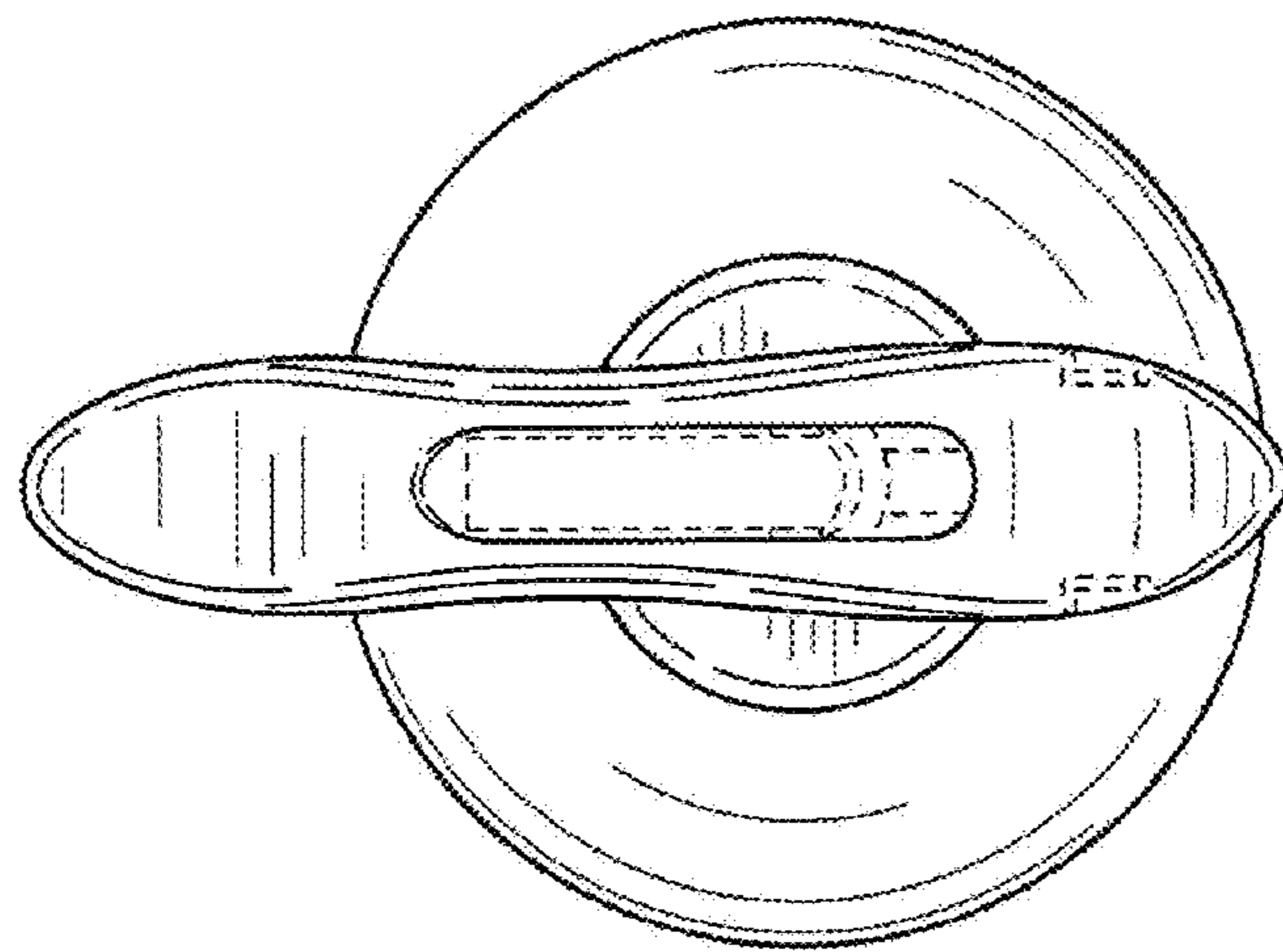


FIG. 6