

US00D676753S

(12) **United States Design Patent**
Badziong

(10) **Patent No.:** **US D676,753 S**

(45) **Date of Patent:** **** Feb. 26, 2013**

(54) **BOTTLE**

(75) Inventor: **Zuzanna Badziong**, Meunster (DE)

(73) Assignee: **Bruni Glass S.p.A.**, Trezzano Sul Naviglio (IT)

(**) Term: **14 Years**

(21) Appl. No.: **29/410,455**

(22) Filed: **Jan. 9, 2012**

(30) **Foreign Application Priority Data**

Jul. 27, 2011 (EM) 001896739-0011

(51) **LOC (9) Cl.** **09-01**

(52) **U.S. Cl.** **D9/537; D9/545; D9/575**

(58) **Field of Classification Search** D9/682,
D9/688-691, 693, 516, 529, 537-546, 549,
D9/552, 558, 565, 574-575; 215/370-371

See application file for complete search history.

(56) **References Cited**

U.S. PATENT DOCUMENTS

274,995	A *	4/1883	Toussaint	215/383
1,770,093	A *	7/1930	West	215/383 X
D225,973	S *	1/1973	Setrakian	D9/545 X
D317,123	S *	5/1991	Colani	D9/540
5,052,567	A *	10/1991	Colani	215/384
D357,189	S *	4/1995	Daucourt	D9/545
D361,515	S *	8/1995	Caron	D9/516 X
D376,430	S *	12/1996	Humphrey et al.	D24/197
D443,520	S *	6/2001	Patricola	D9/540
D476,898	S *	7/2003	Schuller et al.	D9/529
6,814,248	B2 *	11/2004	Beck et al.	215/384

D512,641	S *	12/2005	Anderson et al.	D9/530
D538,659	S *	3/2007	Eaton et al.	D9/516
D541,166	S *	4/2007	Snyder et al.	D9/537
D550,561	S *	9/2007	Snyder et al.	D9/529
D571,664	S *	6/2008	Feletto	D9/545 X
D575,158	S *	8/2008	Boon	D9/516
D594,331	S *	6/2009	Herb et al.	D9/545 X
D617,200	S *	6/2010	Goldburt	D9/540
D633,804	S *	3/2011	Podewski	D9/545 X
D634,207	S *	3/2011	Eisen	D9/540
D643,728	S *	8/2011	Rafizadeh	D9/537
D644,109	S *	8/2011	Hirst et al.	D9/537
D646,578	S *	10/2011	Marais et al.	D9/549 X
2002/0043511	A1 *	4/2002	Chan et al.	215/384 X
2004/0026357	A1 *	2/2004	Beck et al.	215/381 X

* cited by examiner

Primary Examiner — Carol P Rademaker

(74) *Attorney, Agent, or Firm* — Kirschstein, et al.

(57) **CLAIM**

The ornamental design for a bottle, as shown and described.

DESCRIPTION

FIG. 1 is a perspective view of a bottle according to my new design;

FIG. 2 is a front elevational view thereof;

FIG. 3 is a top plan view thereof;

FIG. 4 is a left side elevational view thereof

FIG. 5 is a right side elevational view thereof;

FIG. 6 is a rear elevational view thereof; and,

FIG. 7 is a bottom plan view thereof.

The broken lines shown in the drawings are included for the purpose of illustrating environmental structure and form no part of the claimed design.

1 Claim, 4 Drawing Sheets

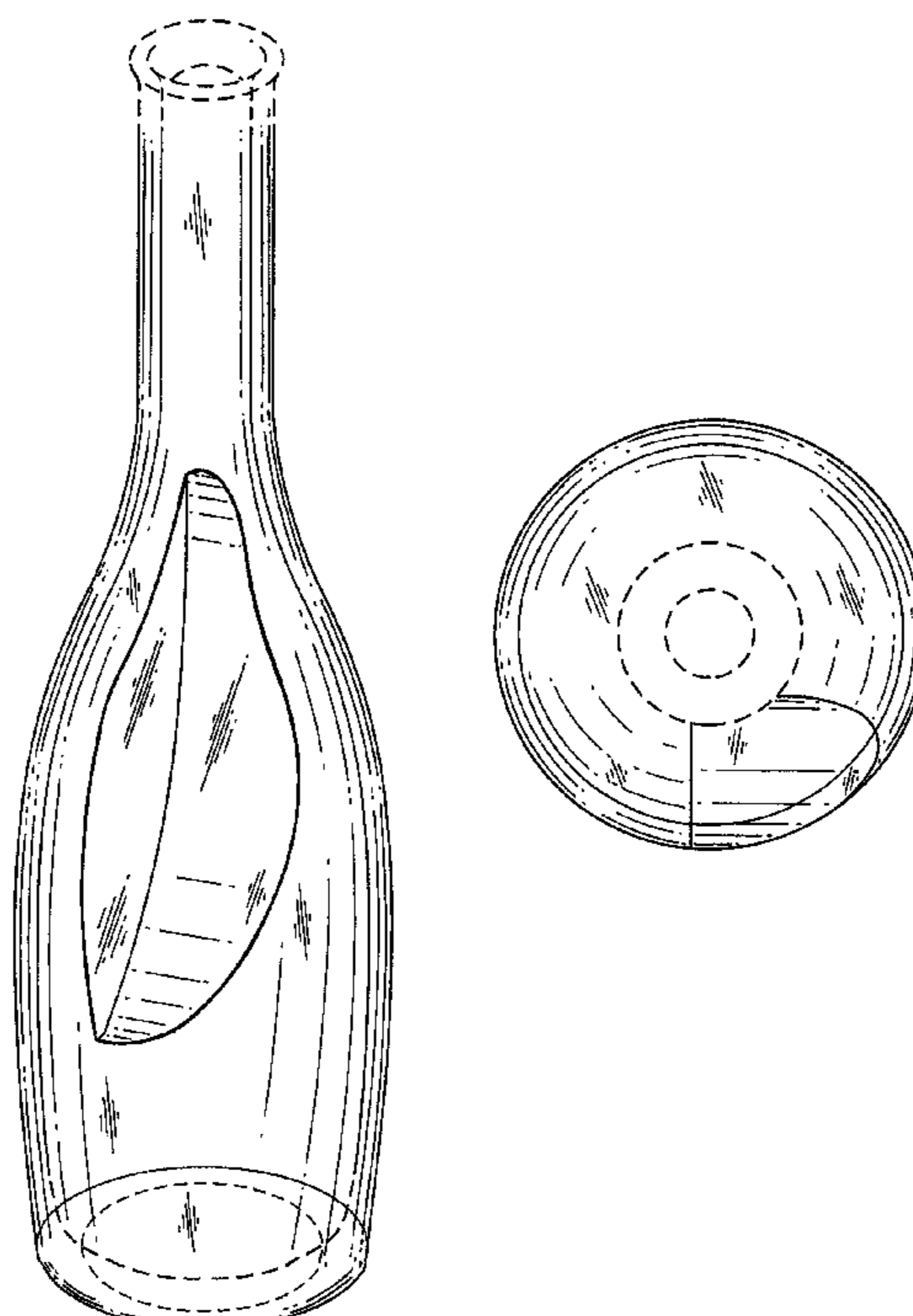
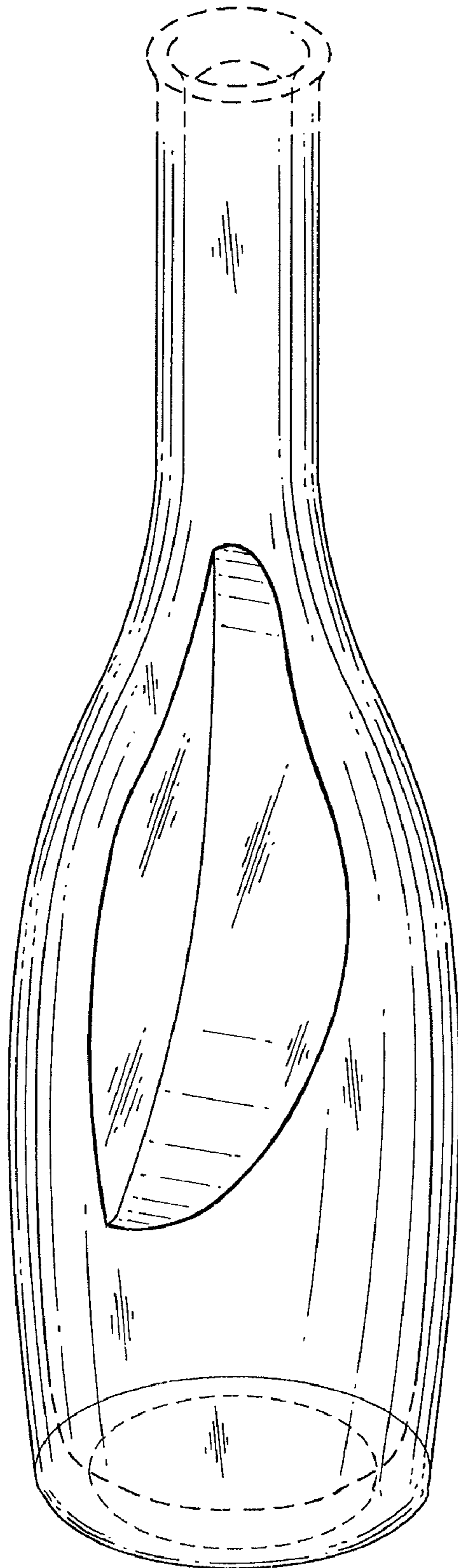


FIG. 1



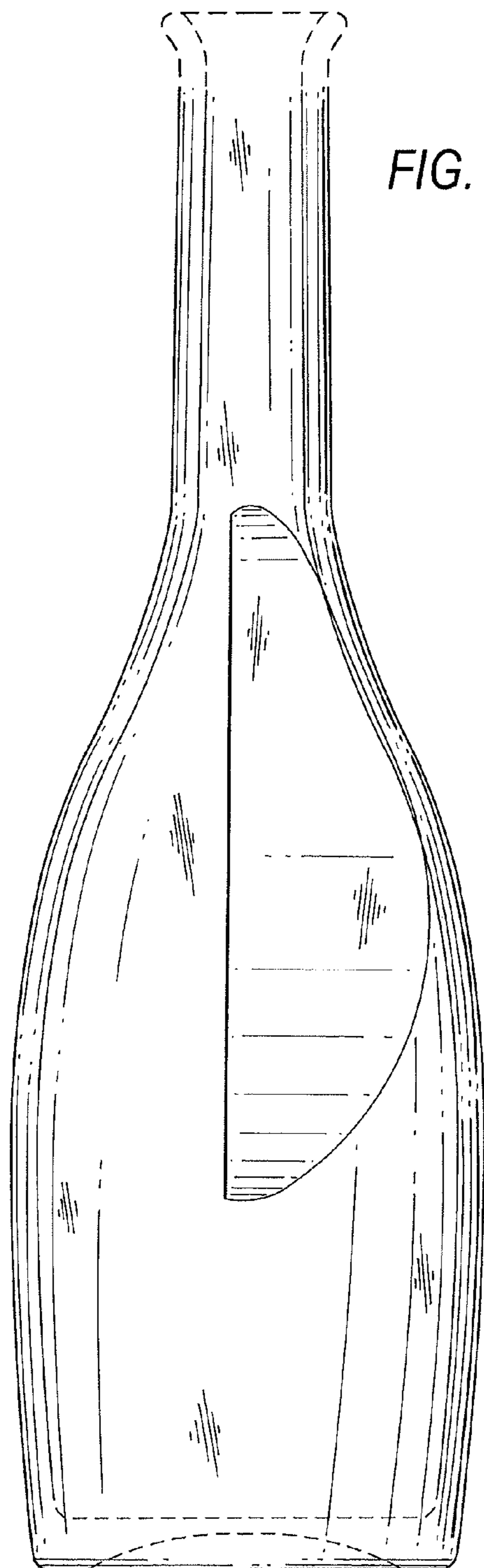


FIG. 2

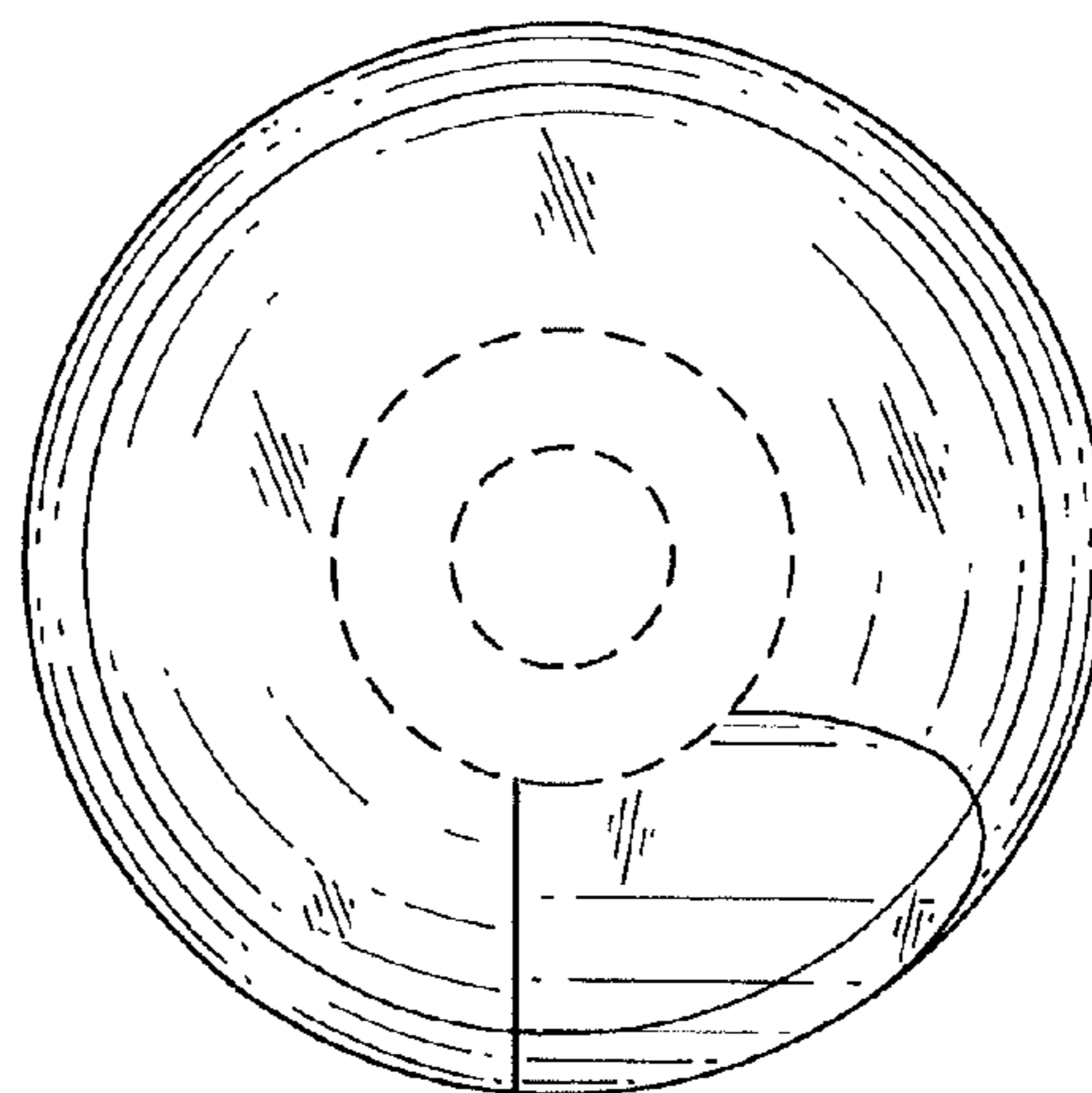
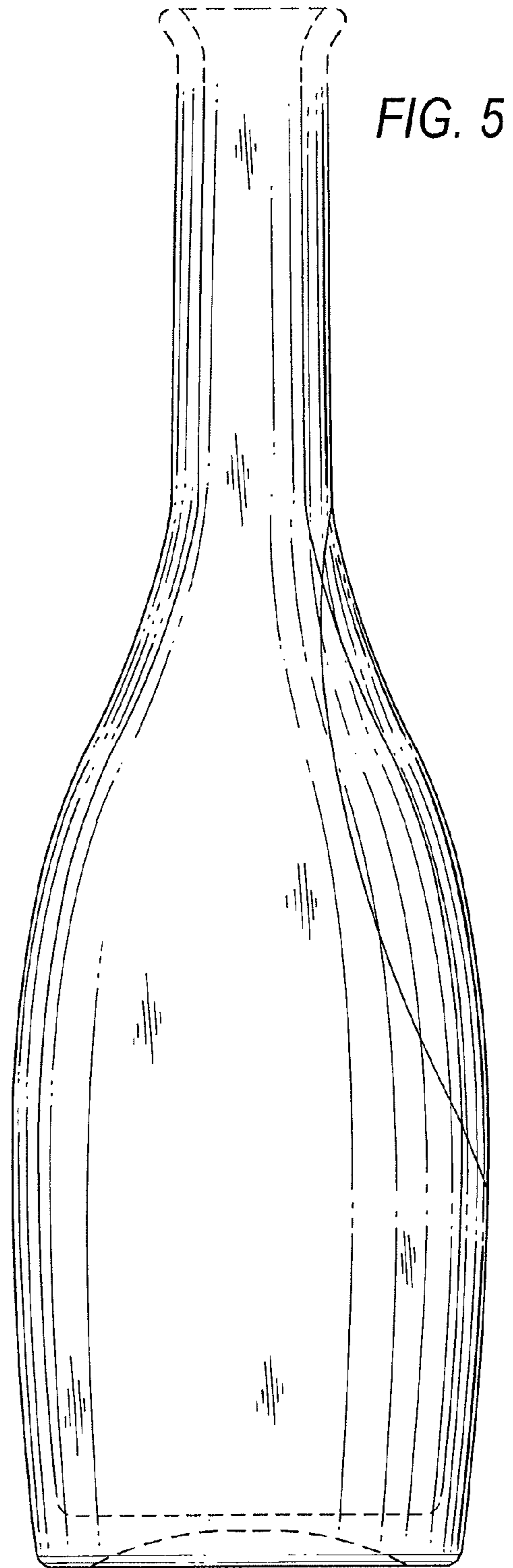
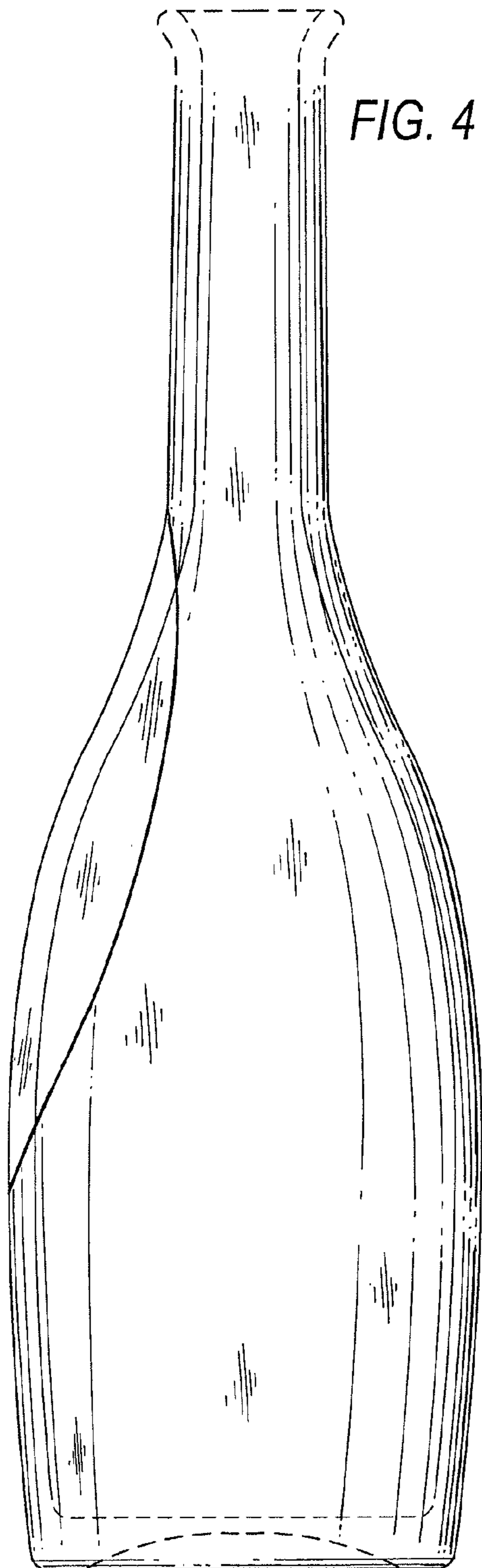


FIG. 3



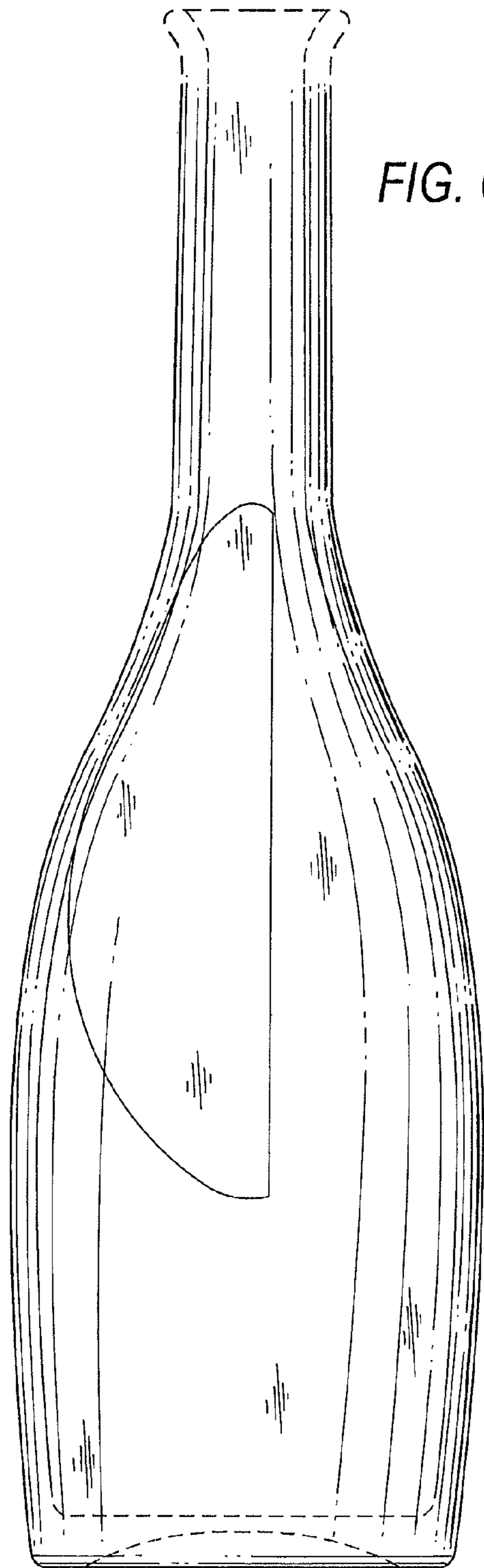


FIG. 6

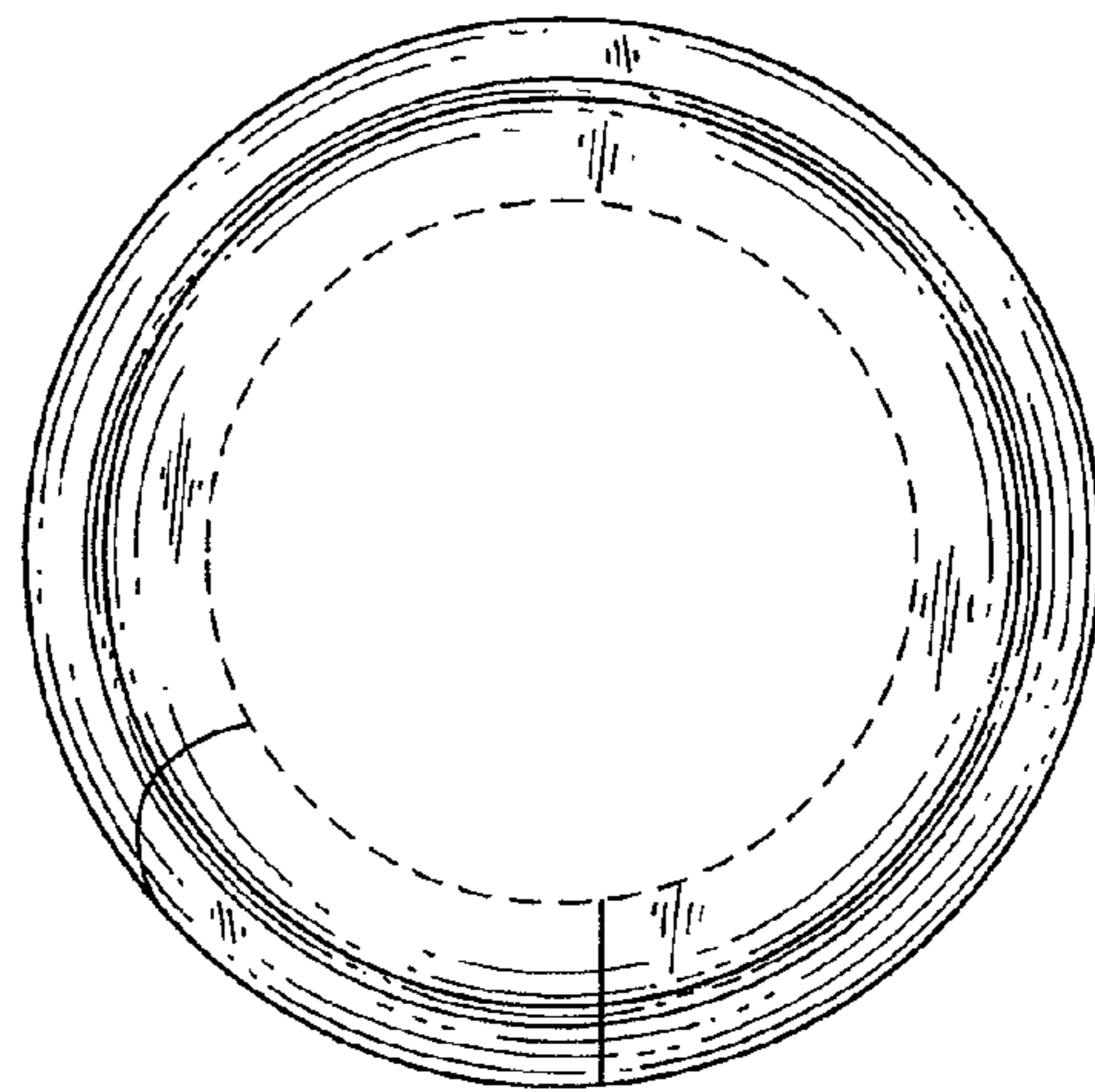


FIG. 7