



US00D676747S

(12) **United States Design Patent**
Chang

(10) **Patent No.:** **US D676,747 S**

(45) **Date of Patent:** **** Feb. 26, 2013**

(54) **CONTAINER**

(75) Inventor: **Yi-Ming Chang**, Taichung (TW)

(73) Assignee: **Feng-Der Tsai**, Taipei (TW)

(**) Term: **14 Years**

(21) Appl. No.: **29/418,556**

(22) Filed: **Apr. 18, 2012**

(51) **LOC (9) Cl.** **09-07**

(52) **U.S. Cl.** **D9/449**

(58) **Field of Classification Search** D9/454,
D9/453, 449, 447, 446, 443, 440, 439, 417;
D7/396.2, 392.1; 222/556, 484; 220/837,
220/715, 259.2, 254.2-254.5; 215/306, 235,
215/236

See application file for complete search history.

(56) **References Cited**

U.S. PATENT DOCUMENTS

D353,328 S *	12/1994	Nuffer	D9/446
D475,923 S *	6/2003	Renz	D9/446
D517,916 S *	3/2006	Satt	D9/449
D564,356 S *	3/2008	Nickleberry	D9/454

D576,875 S *	9/2008	Steiger et al.	D9/449
D606,399 S *	12/2009	Scuturio	D9/449
D664,035 S *	7/2012	Hu et al.	D9/435

* cited by examiner

Primary Examiner — Susan Bennett Hattan

(74) *Attorney, Agent, or Firm* — Volpe and Koenig, P.C.

(57) **CLAIM**

The ornamental design for a container, as shown and as described.

DESCRIPTION

FIG. 1 is a schematic view showing a container of my new design;

FIG. 2 is another schematic view showing the container of my new design;

FIG. 3 is a front elevational view thereof;

FIG. 4 is a rear elevational view thereof;

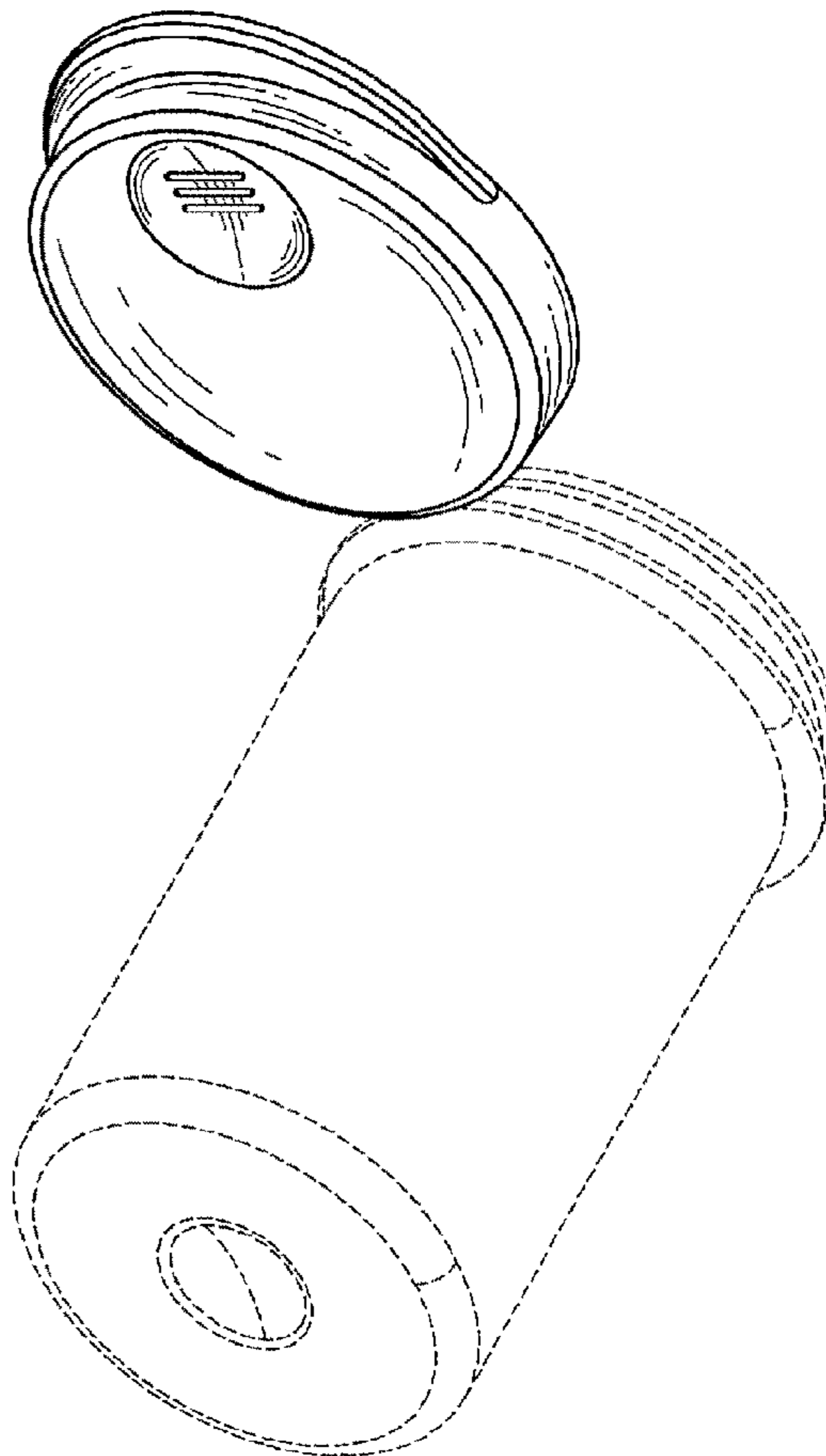
FIG. 5 is a left side view thereof, the right side being a mirror image;

FIG. 6 is a top view thereof; and,

FIG. 7 is a bottom view thereof.

The container noumenon is shown in broken lines for illustrative purposes only and forms no part of the claimed design.

1 Claim, 7 Drawing Sheets



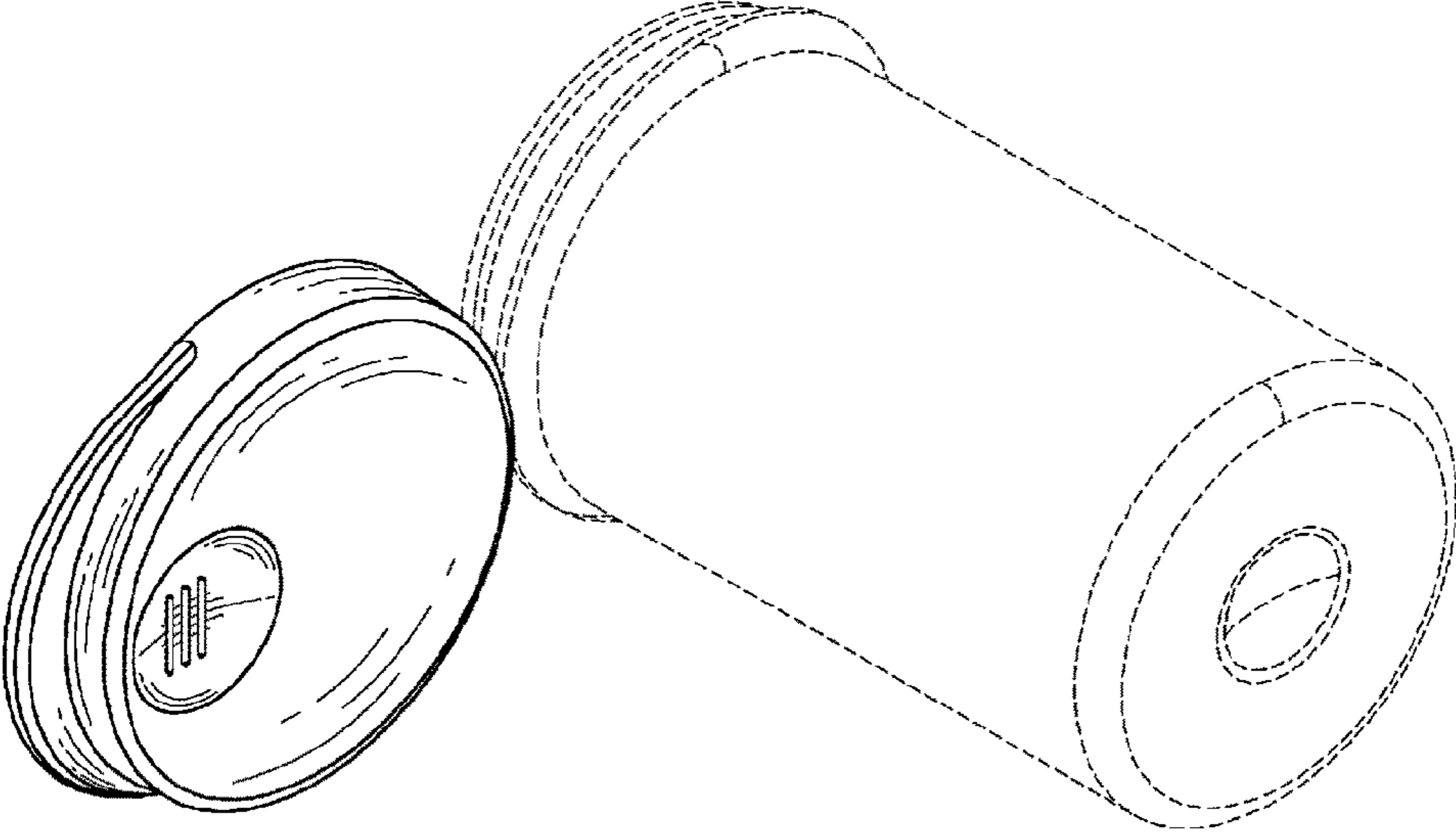


Fig. 1

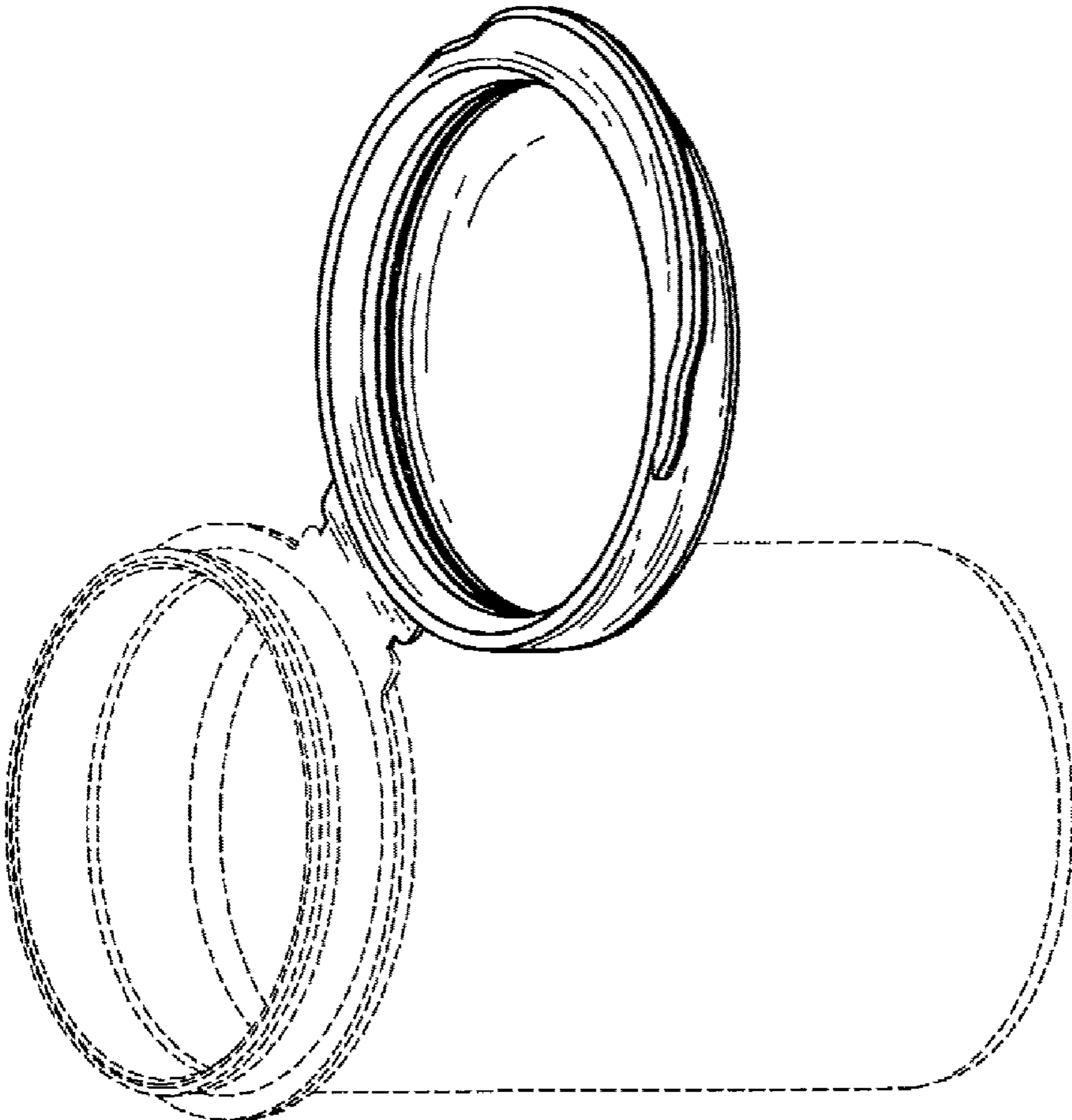


Fig. 2

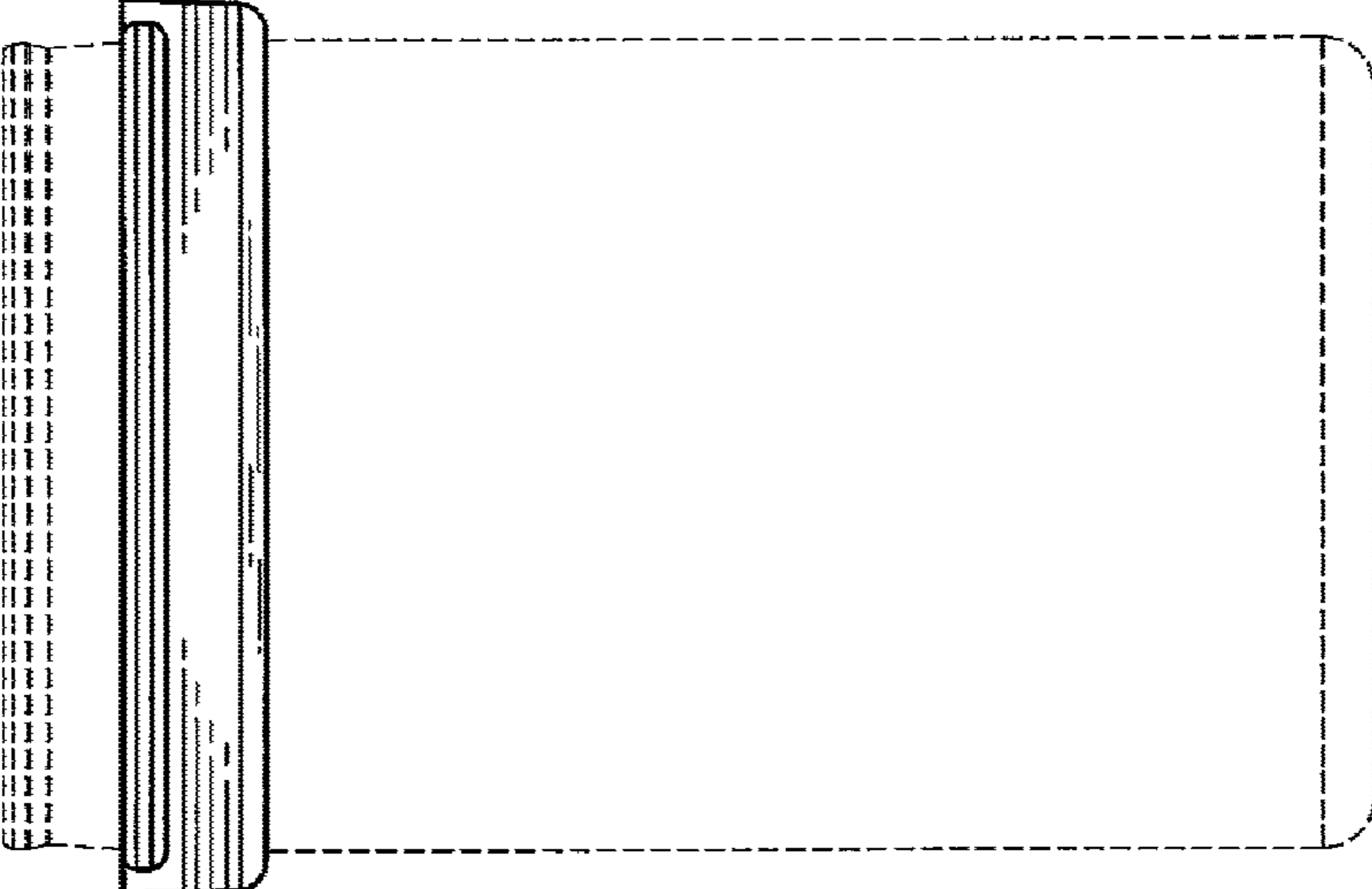


Fig. 3

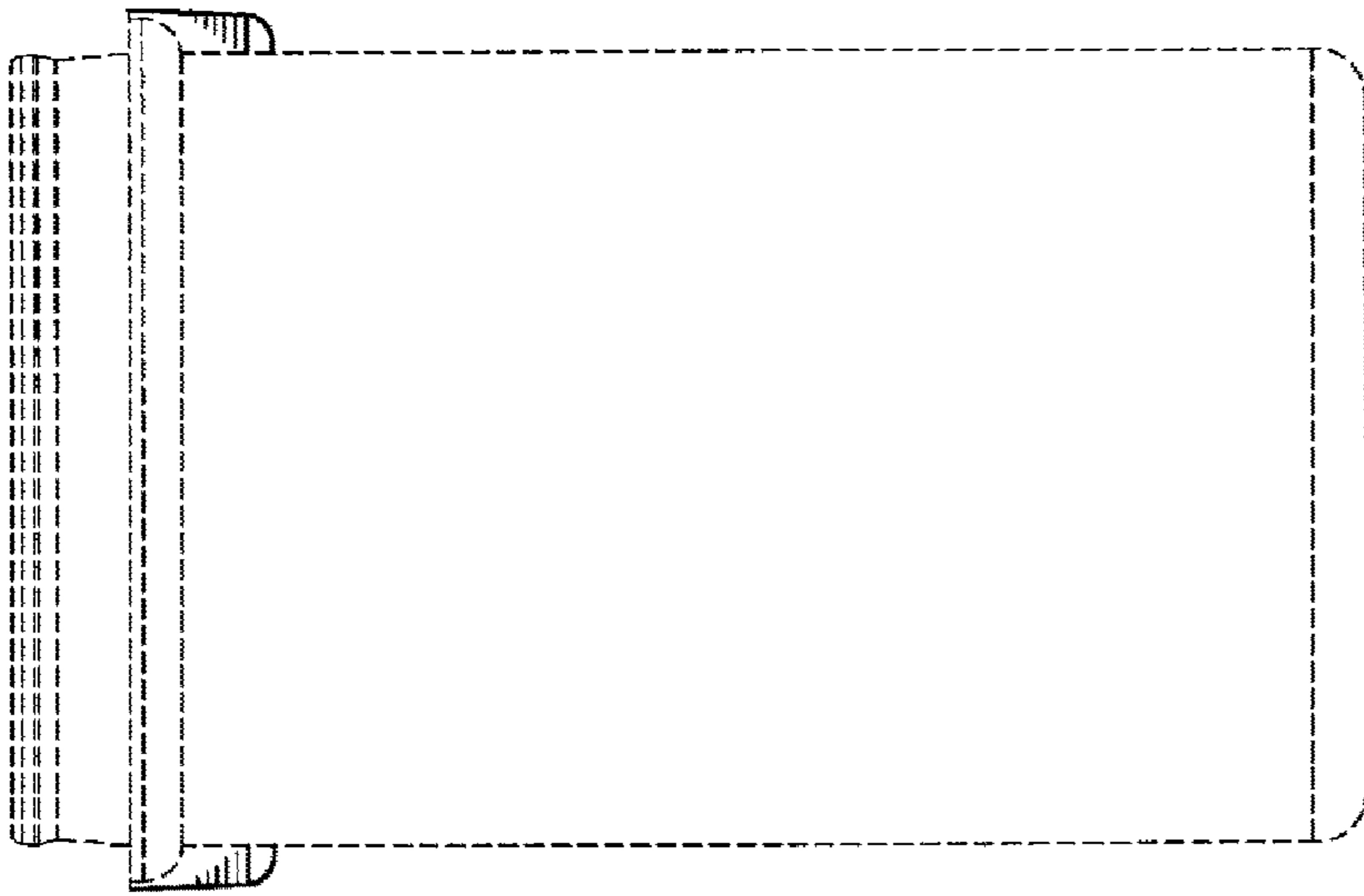


Fig. 4

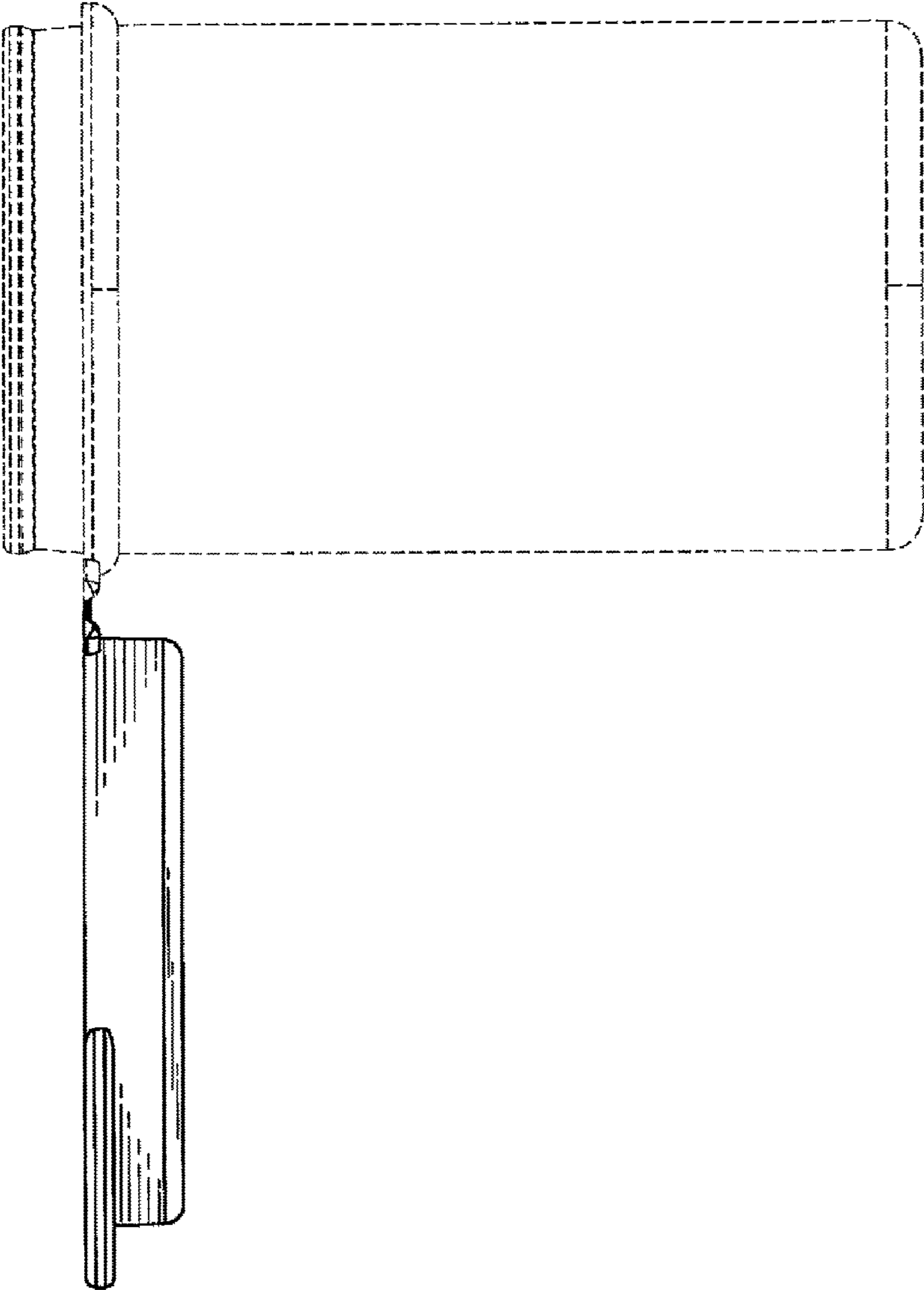


Fig. 5

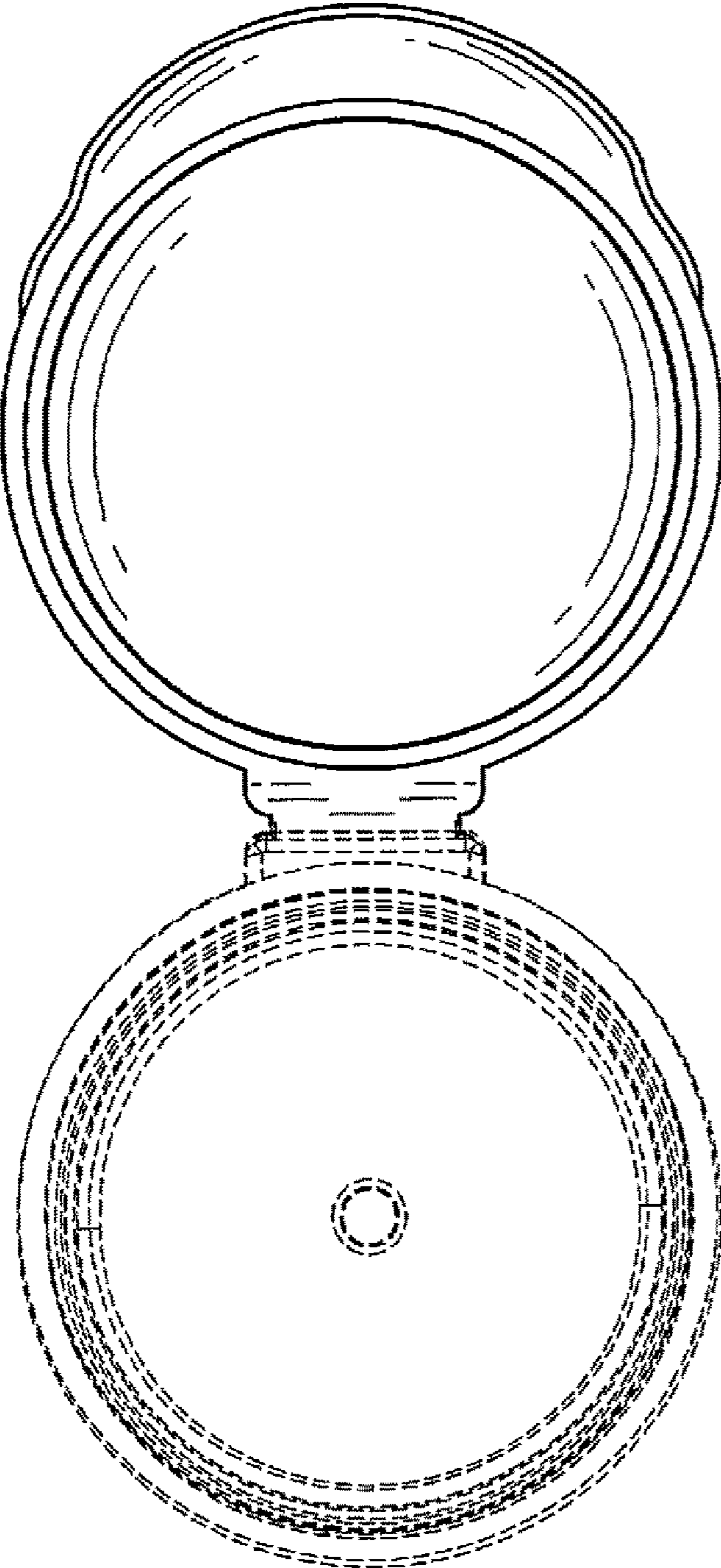


Fig. 6

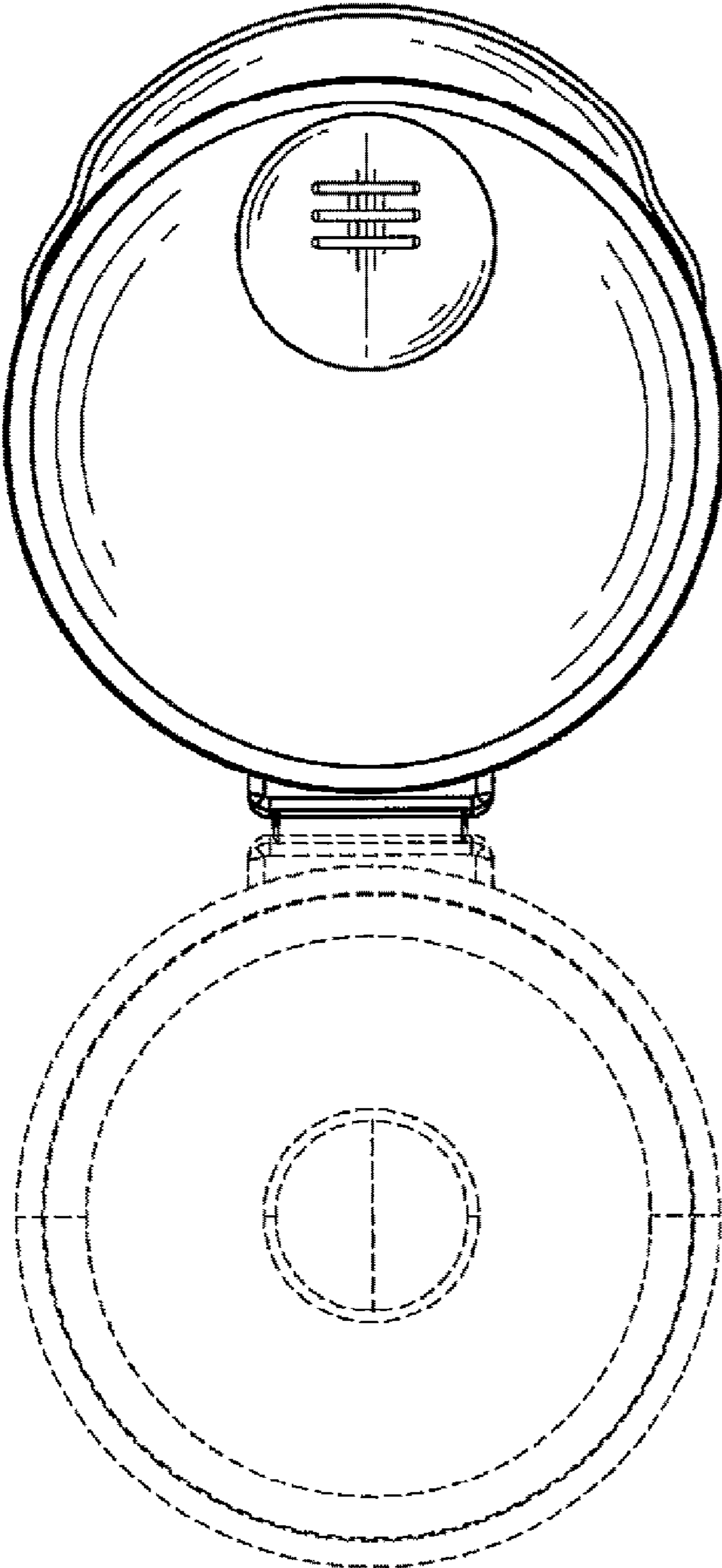


Fig. 7