

US00D676745S

(12) **United States Design Patent**
MacNeill et al.

(10) **Patent No.:** **US D676,745 S**

(45) **Date of Patent:** **** Feb. 26, 2013**

(54) **CAP**

(75) Inventors: **Ronald MacNeill**, Kingston, NH (US);
Tuna Sava, Newburyport, MA (US)

(73) Assignee: **UFP Technologies, Inc.**, Georgetown,
MA (US)

(**) Term: **14 Years**

(21) Appl. No.: **29/388,626**

(22) Filed: **Mar. 31, 2011**

(51) **LOC (9) Cl.** **09-07**

(52) **U.S. Cl.** **D9/443**

(58) **Field of Classification Search** D9/772,
D9/763, 746, 529, 504, 454, 443, 435, 434,
D9/428, 424; D7/392.1; D34/11; D27/183-193;
220/711-717, 685, 658, 4.24, 4.23, 377,
220/309.1, 296, 284, 260, 258.5, 203.09;
215/347, 321, 307; 138/96 R

See application file for complete search history.

(56) **References Cited**

U.S. PATENT DOCUMENTS

1,374,389	A *	4/1921	Reichenbach	220/780
2,493,086	A *	1/1950	Reifsnyder	229/125.25
D182,779	S *	5/1958	Tupper	D9/503
3,078,879	A	2/1963	Mallard		
3,319,328	A	5/1967	Finger et al.		
3,574,312	A	4/1971	Miller		
4,269,232	A	5/1981	Witschi		
4,615,460	A	10/1986	Buccellato et al.		
D296,525	S *	7/1988	Siegel	D9/443
D359,905	S *	7/1995	Molo	D9/447
5,439,031	A	8/1995	Steele et al.		
D371,485	S *	7/1996	Hickey	D7/392.1
D398,485	S *	9/1998	Landauer et al.	D7/629
5,803,126	A	9/1998	Zaro		
5,866,218	A	2/1999	Meuth		
D475,573	S *	6/2003	Jalet et al.	D7/392.1
D478,469	S *	8/2003	Roth et al.	D7/392.1
D527,254	S *	8/2006	Antonelli	D9/436
D528,359	S *	9/2006	Laib	D7/392.1
D543,111	S *	5/2007	Hoglund	D9/504
D587,136	S *	2/2009	Friebe et al.	D9/772

D591,507	S *	5/2009	Mowe et al.	D3/269
D610,006	S *	2/2010	Ortell	D9/454
D614,439	S *	4/2010	Olivari	D7/392.1
D621,705	S *	8/2010	Breckan	D9/443
D621,951	S *	8/2010	Bucholtz et al.	D24/224

FOREIGN PATENT DOCUMENTS

EP 0 633 126 A1 1/1995

OTHER PUBLICATIONS

Plastic Caps, retrieved from MOCAP Manufacturer of Quality Plastic and Rubber Products on May 11, 2011 using Internet <URL:http://www.mocap.com/mocap-plastic-caps.html>.
Threaded or Tri-Clamp Closures from L.C. Penner Co. on May 11, 2011 using Internet <URL:http://www.lcpenner.com/LCP/closures.html>.

* cited by examiner

Primary Examiner — Susan Bennett Hattan

(74) *Attorney, Agent, or Firm* — Howard & Howard Attorneys PLLC

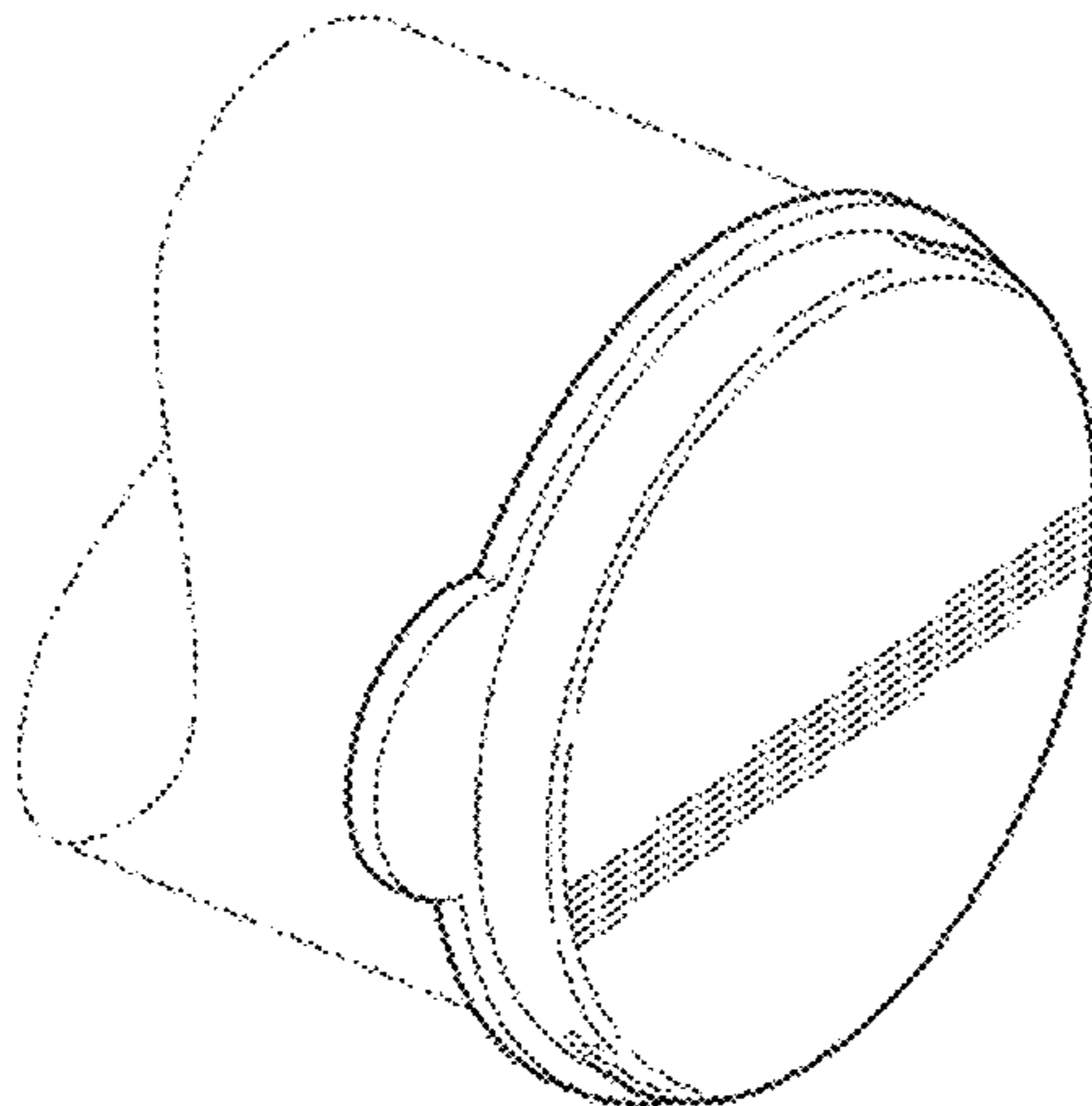
(57) **CLAIM**

We claim the ornamental design for a cap, as shown and described.

DESCRIPTION

FIG. 1 is a perspective view of the cap.
FIG. 2 is a top view of the cap.
FIG. 3 is a bottom view of the cap.
FIG. 4 is a side view of the cap and is an identical mirror image of an opposite side view of the cap not shown in the FIGS. 1-7.
FIG. 5 is a front view of the cap.
FIG. 6 is a front rear view of the cap; and,
FIG. 7 is a cross sectional view of the cap taken along line 7-7 of FIG. 2 to illustrate the configuration of the exterior surface of the cap not apparent from the other views of the cap.
The broken lines describing a sanitary end, as shown in FIG. 1, are for illustrative purposes only and form no part of the claimed design.

1 Claim, 2 Drawing Sheets



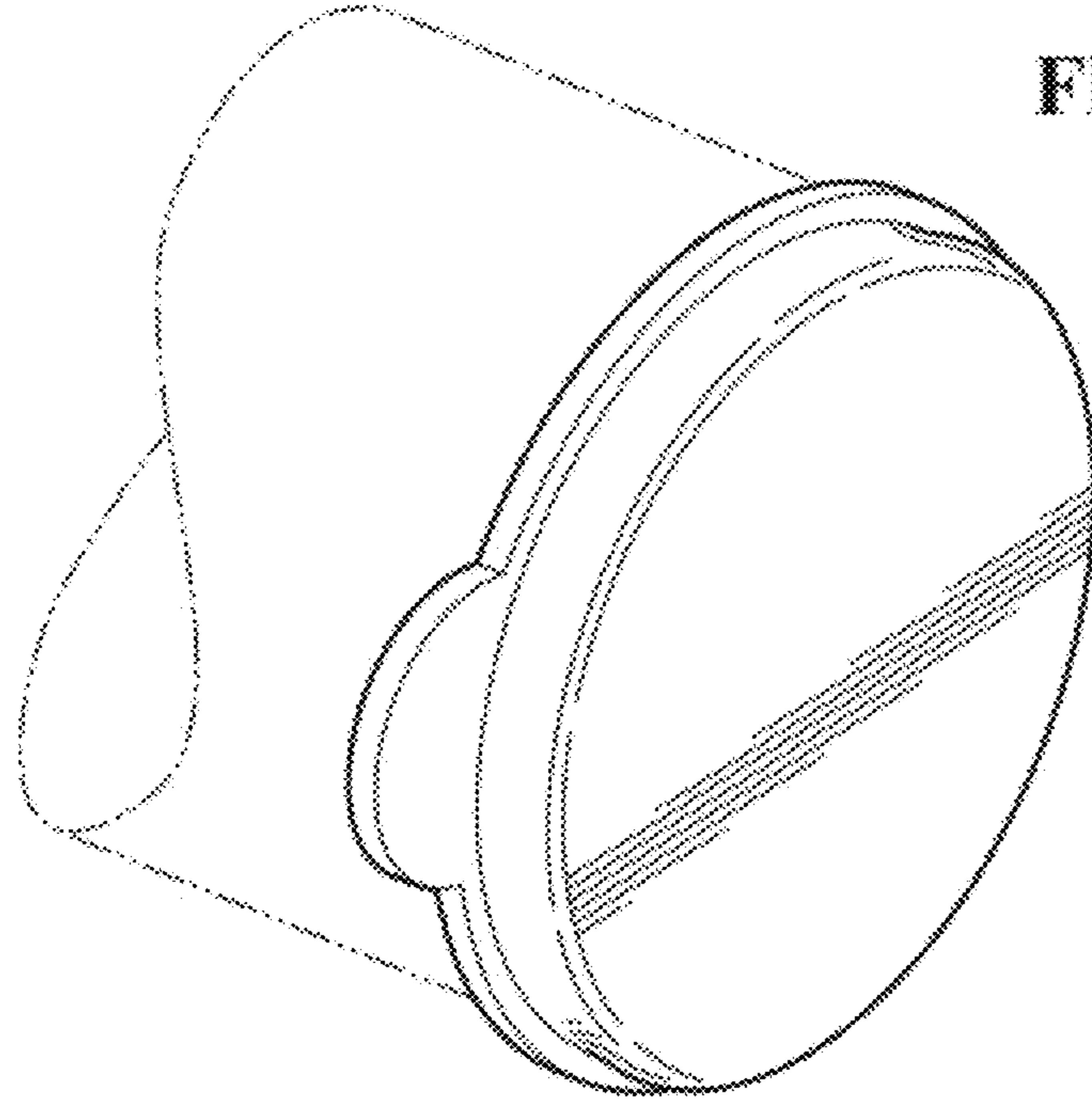


FIG. 1

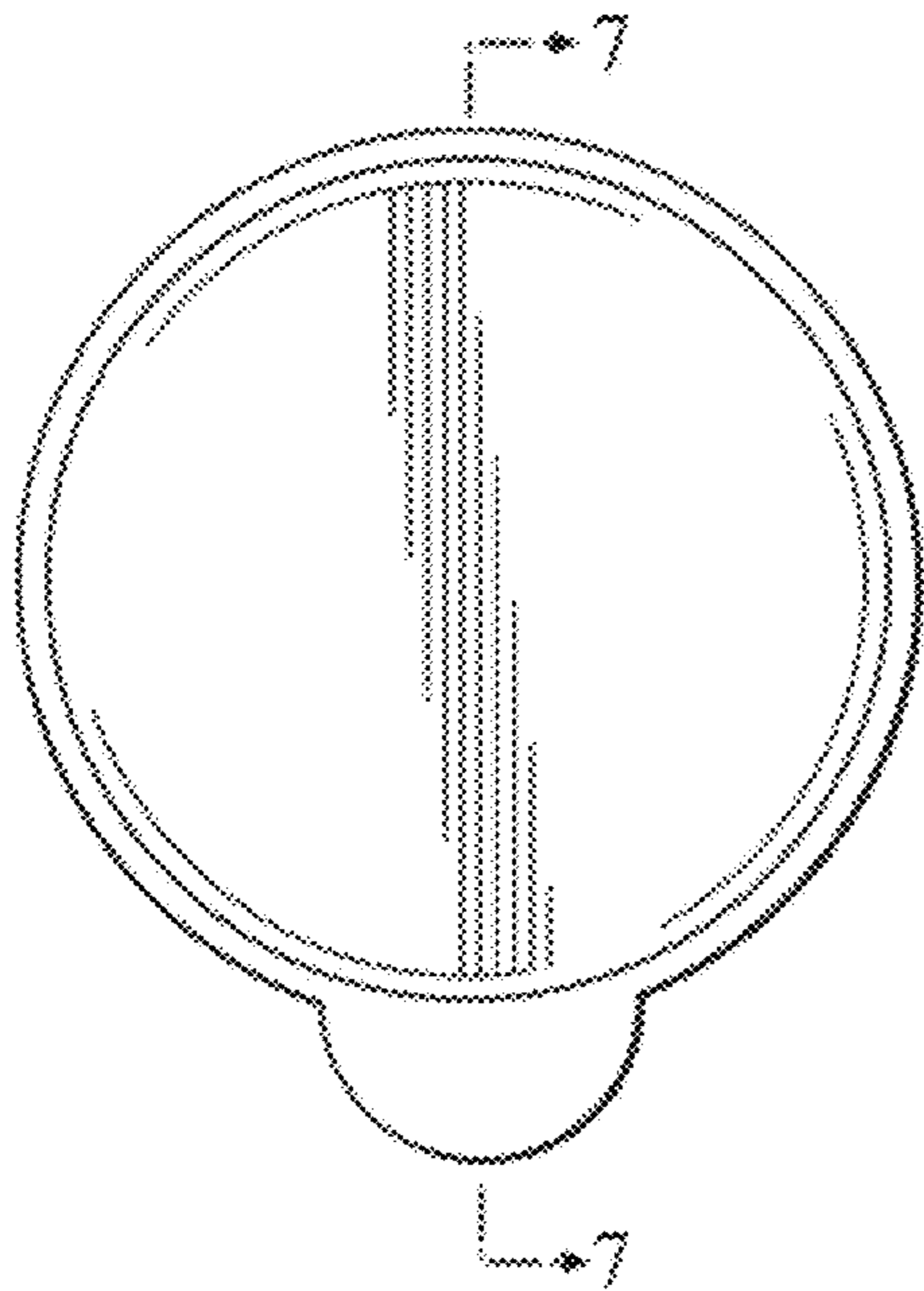


FIG. 2

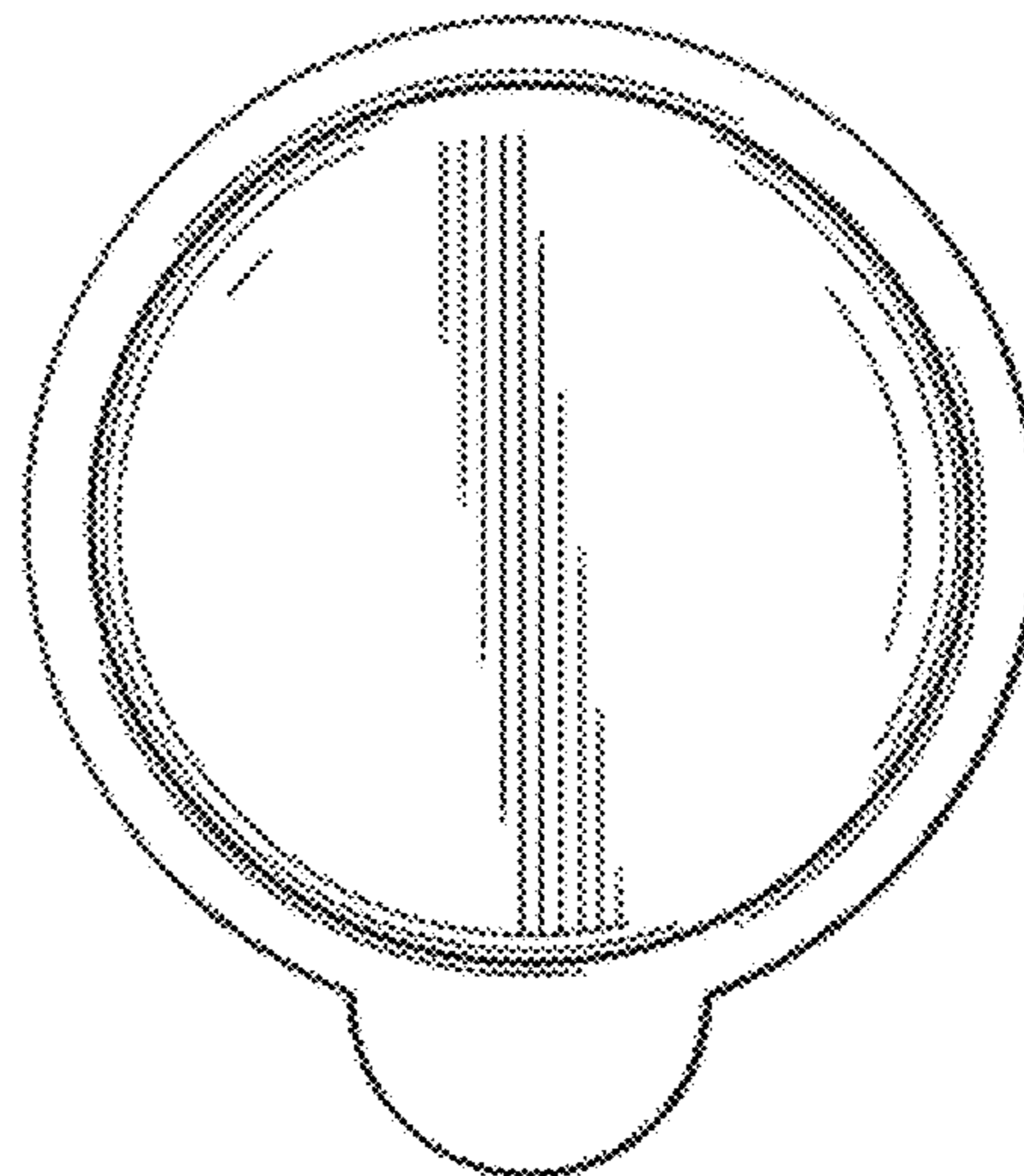


FIG. 3

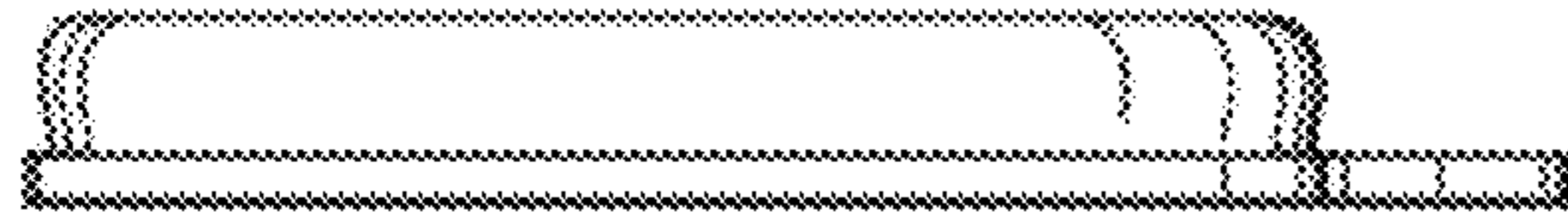


FIG. 4

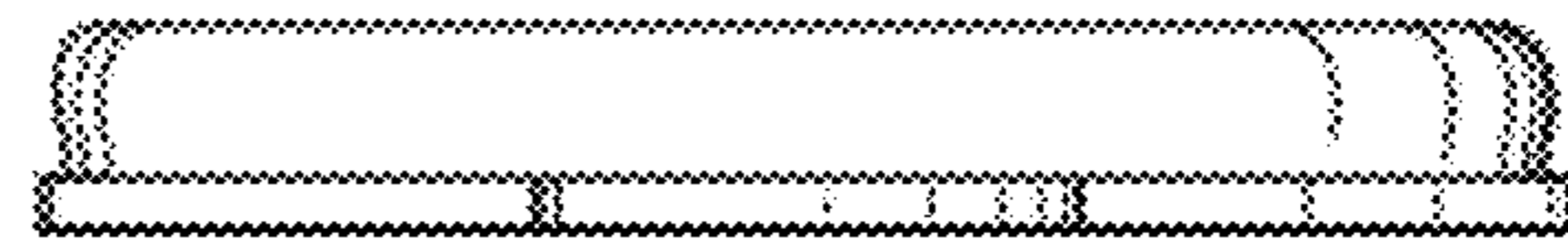


FIG. 5



FIG. 6

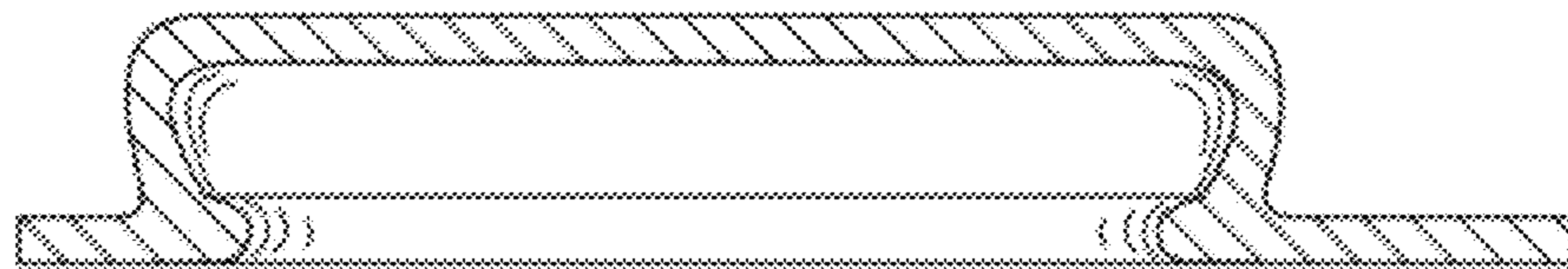


FIG. 7