



US00D676741S

(12) **United States Design Patent**  
**van Landsveld et al.**

(10) **Patent No.:** **US D676,741 S**

(45) **Date of Patent:** **\*\* Feb. 26, 2013**

(54) **CIGARETTE PACK**

(75) Inventors: **Mies van Landsveld**, Bristol (GB);  
**Slavomir Novak**, Hamburg (DE)

(73) Assignee: **Imperial Tobacco Limited**, Bristol (GB)

(\*\*) Term: **14 Years**

(21) Appl. No.: **29/420,420**

(22) Filed: **May 9, 2012**

(30) **Foreign Application Priority Data**

Nov. 9, 2011 (EM) ..... 001 301 089

(51) **LOC (9) Cl.** ..... **09-03**

(52) **U.S. Cl.** ..... **D9/423**

(58) **Field of Classification Search** ..... D9/420,  
D9/423, 425, 430, 432; 206/236-242, 245,  
206/249-251, 254-259, 261-275; 229/101,  
229/125.21, 125.37, 145, 212, 225, 160.1;  
D27/185-192

See application file for complete search history.

(56) **References Cited**

**U.S. PATENT DOCUMENTS**

D509,623	S	*	9/2005	Mitten et al.	.....	D27/189
D523,171	S	*	6/2006	Mitten et al.	.....	D27/189
D569,719	S	*	5/2008	Ross	.....	D9/416
D575,452	S	*	8/2008	Jones et al.	.....	D27/189
D575,636	S	*	8/2008	Krautter	.....	D9/420
D596,349	S	*	7/2009	Tabrah	.....	D27/189
D625,179	S	*	10/2010	Gibson	.....	D9/423
D633,786	S	*	3/2011	Gibson	.....	D9/423
D636,662	S	*	4/2011	Ignacio et al.	.....	D9/418
D661,016	S	*	5/2012	Borges et al.	.....	D27/189

**OTHER PUBLICATIONS**

U.S. Appl. No. 29/392,285, filed May 19, 2011, Steve Holloway et al.  
U.S. Appl. No. 29/392,286, filed May 19, 2011, Steve Holloway et al.  
U.S. Appl. No. 29/392,292, filed May 19, 2011, Steve Holloway et al.  
U.S. Appl. No. 29/392,294, filed May 19, 2011, Steve Holloway et al.  
U.S. Appl. No. 29/392,297, filed May 19, 2011, Steve Holloway et al.  
U.S. Appl. No. 29/420,422, filed May 9, 2012, Mies van Landsfeld et al.  
U.S. Appl. No. 29/420,423, filed May 9, 2012, Mies van Landsfeld et al.

\* cited by examiner

*Primary Examiner* — Thomas Johannes

(74) *Attorney, Agent, or Firm* — Nixon & Vanderhye P.C.

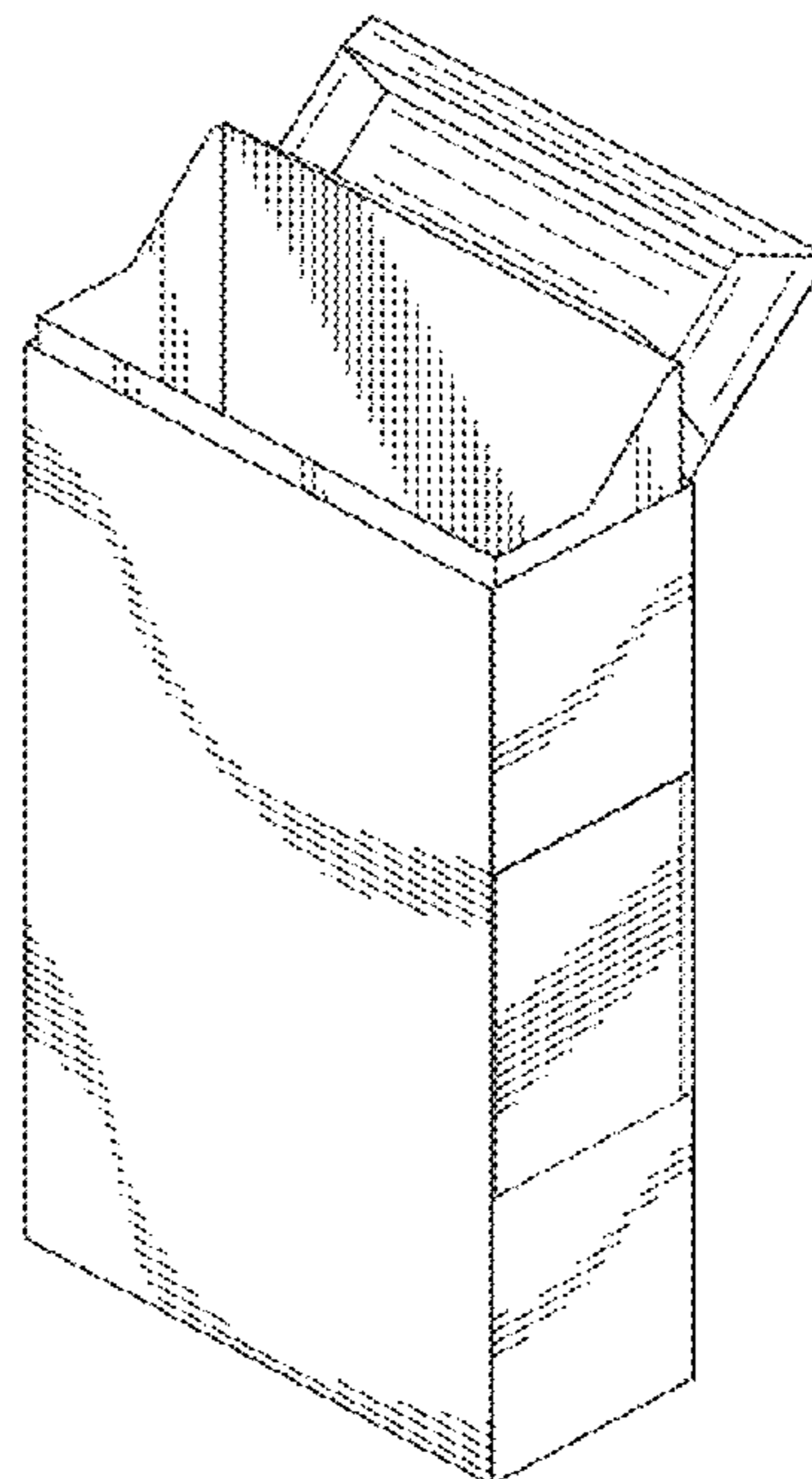
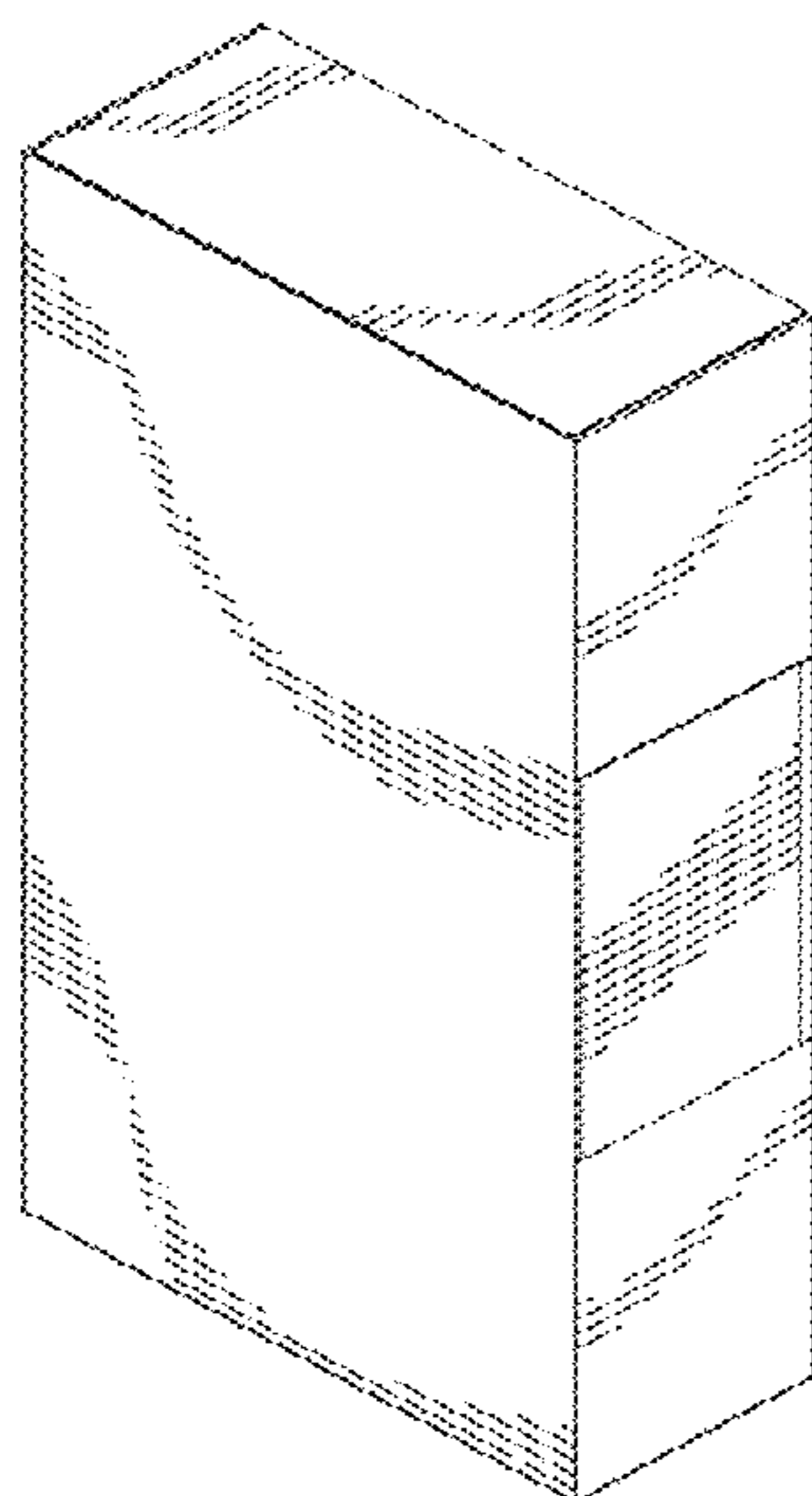
(57) **CLAIM**

The ornamental design for a cigarette pack, as shown and described.

**DESCRIPTION**

FIG. 1 is a front perspective view of a cigarette pack according to our new ornamental design;  
FIG. 2 is a reverse perspective view thereof;  
FIG. 3 is a front perspective view thereof, with lid open and inner shell protruding;  
FIG. 4 is a front view thereof, with lid open and inner shell protruding;  
FIG. 5 is a left side view thereof, with lid open and inner shell protruding;  
FIG. 6 is a front view thereof, with lid closed; and,  
FIG. 7 is a top view thereof.

**1 Claim, 6 Drawing Sheets**



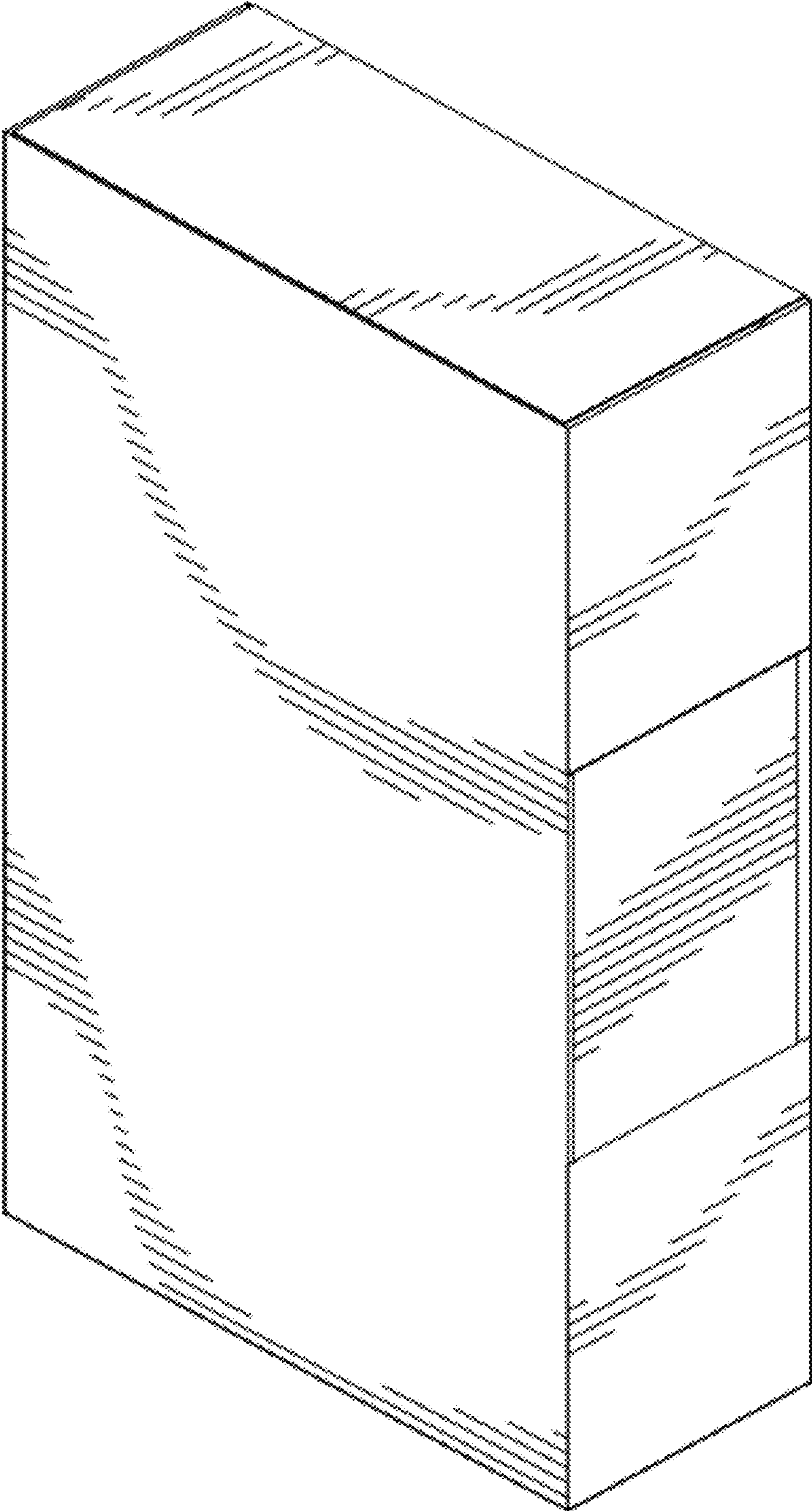


FIG. 1

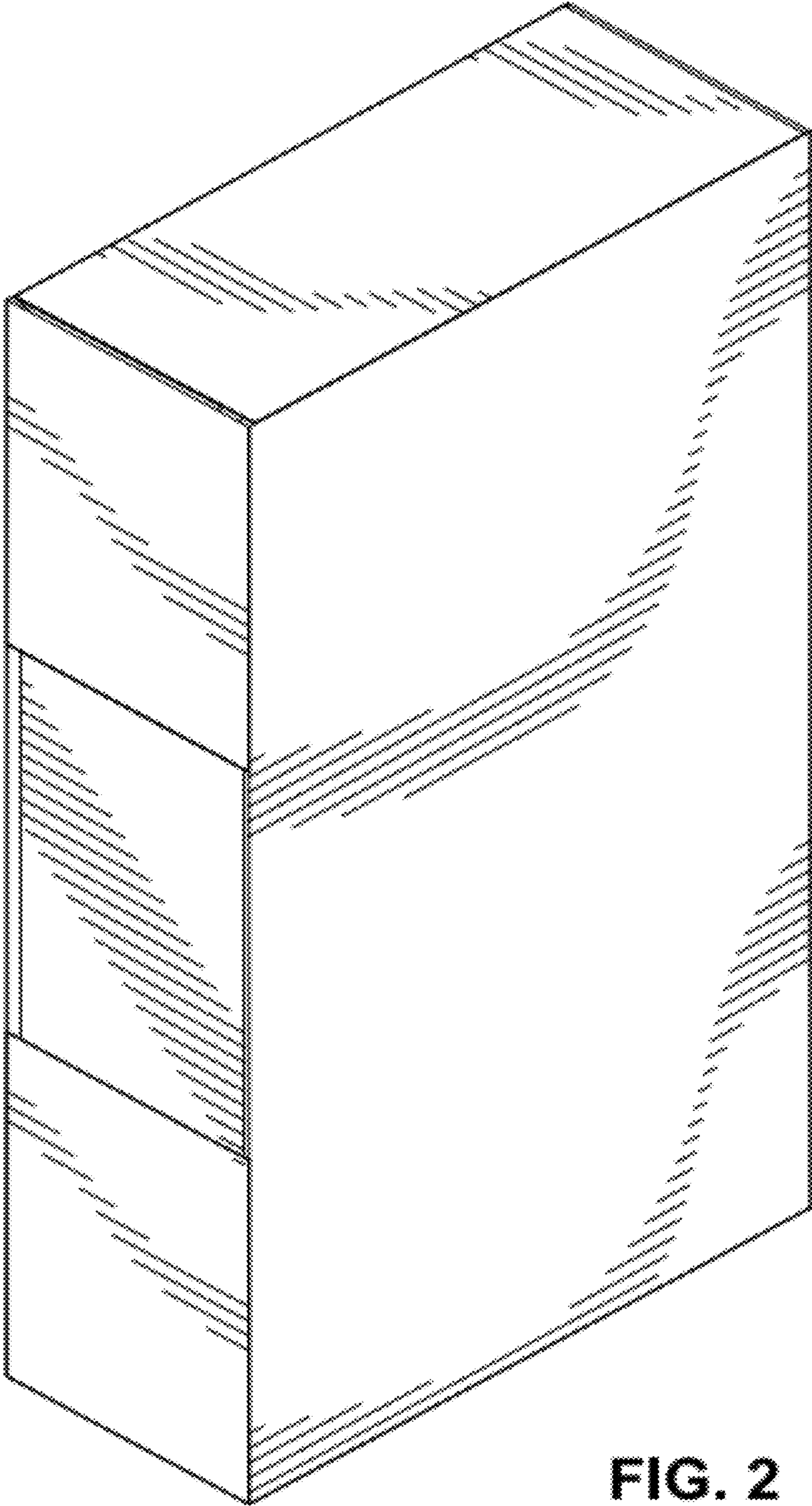
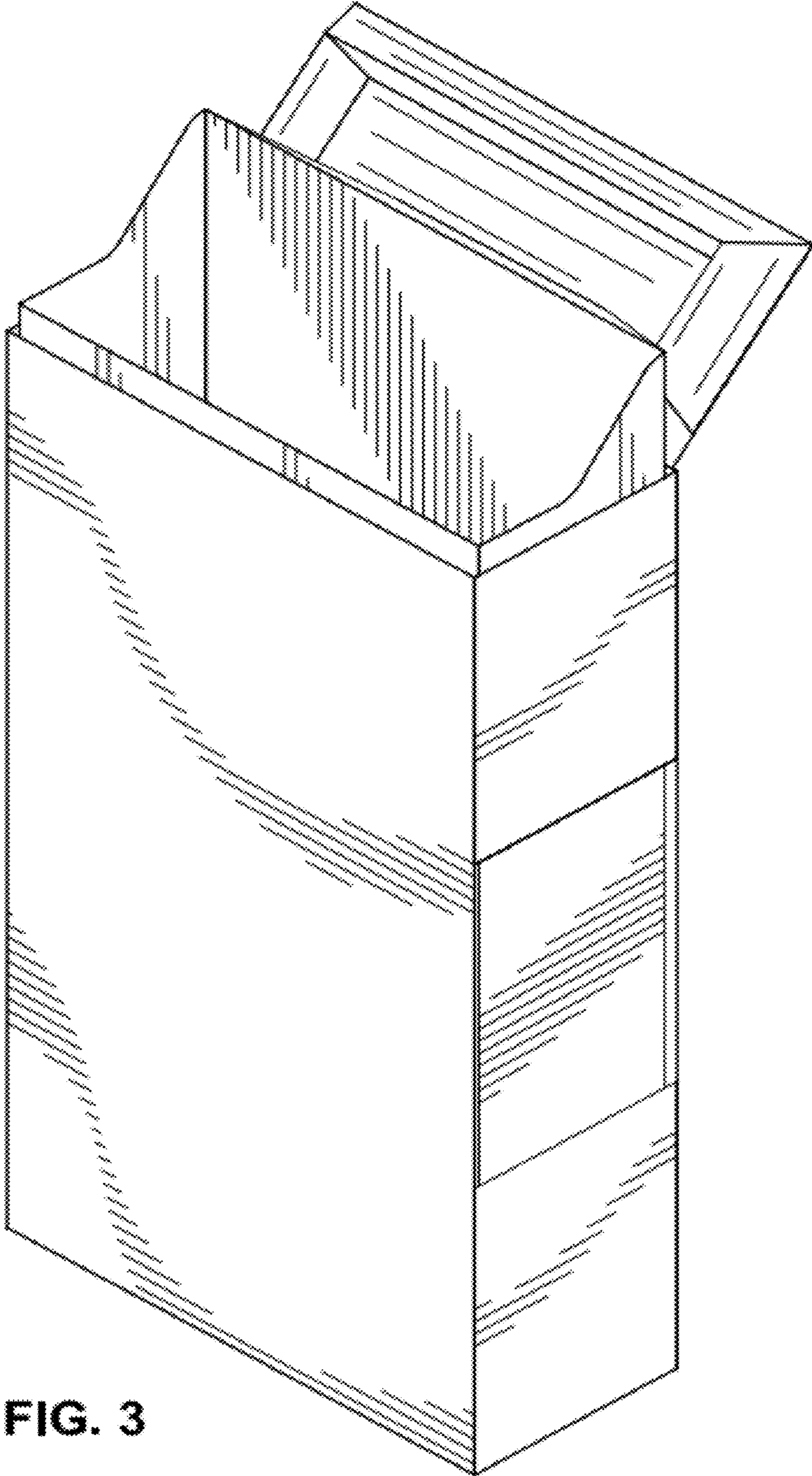


FIG. 2



**FIG. 3**

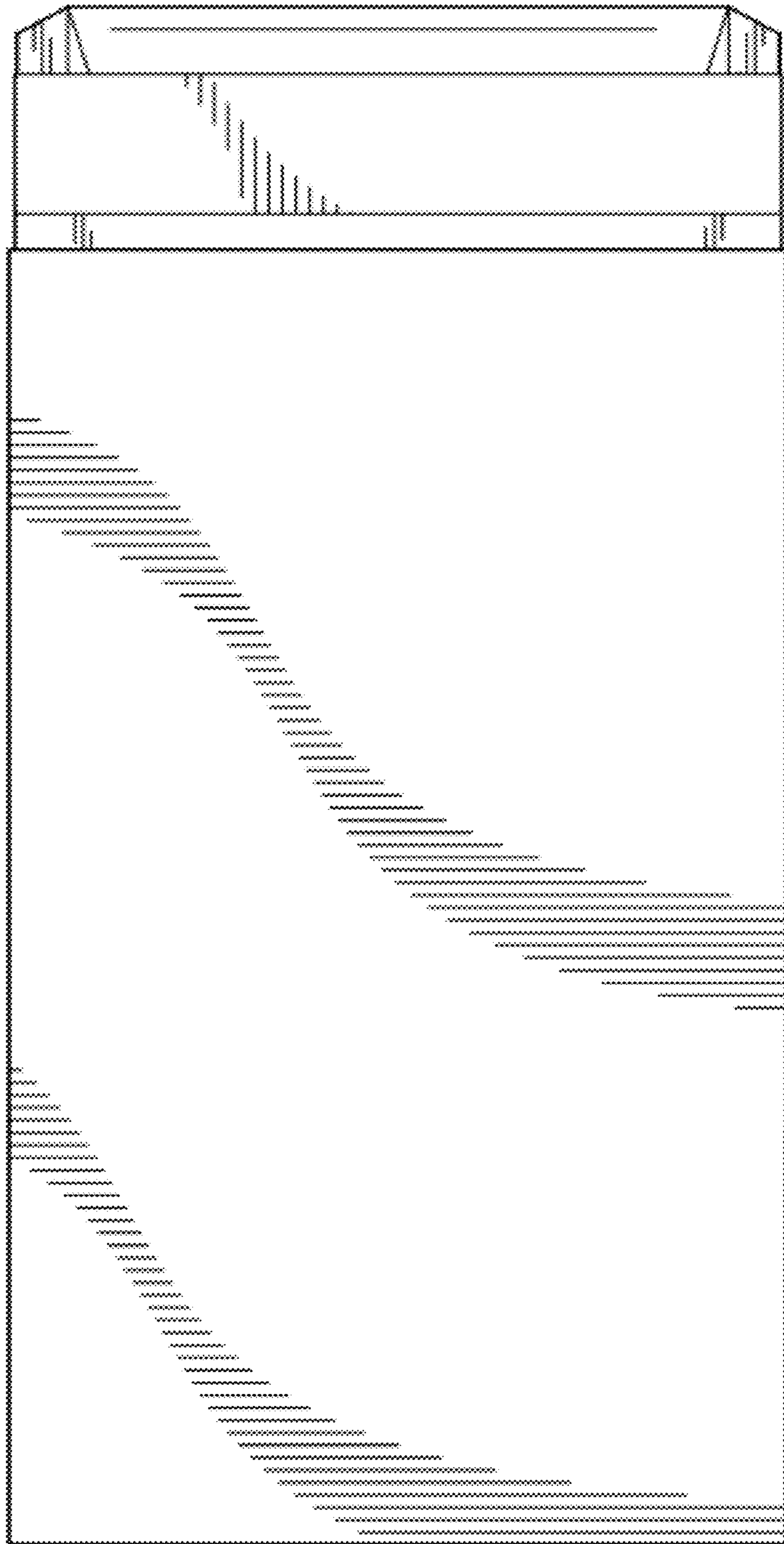


FIG. 4

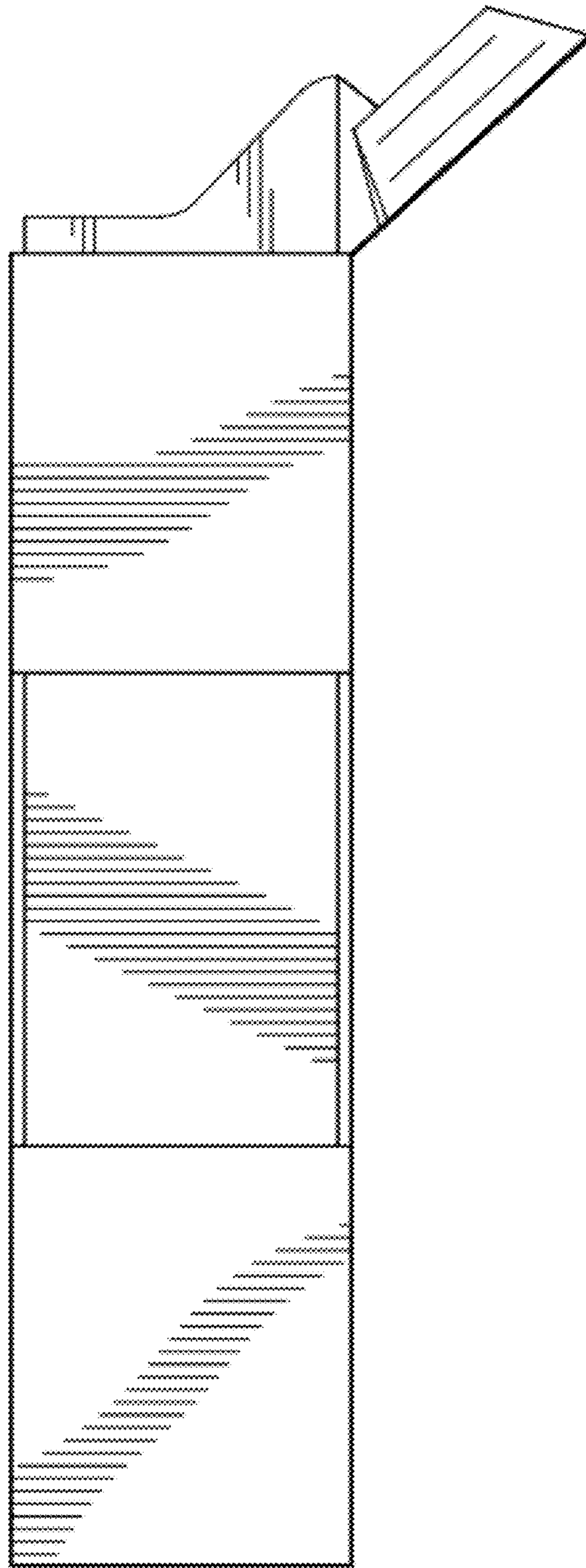


FIG. 5

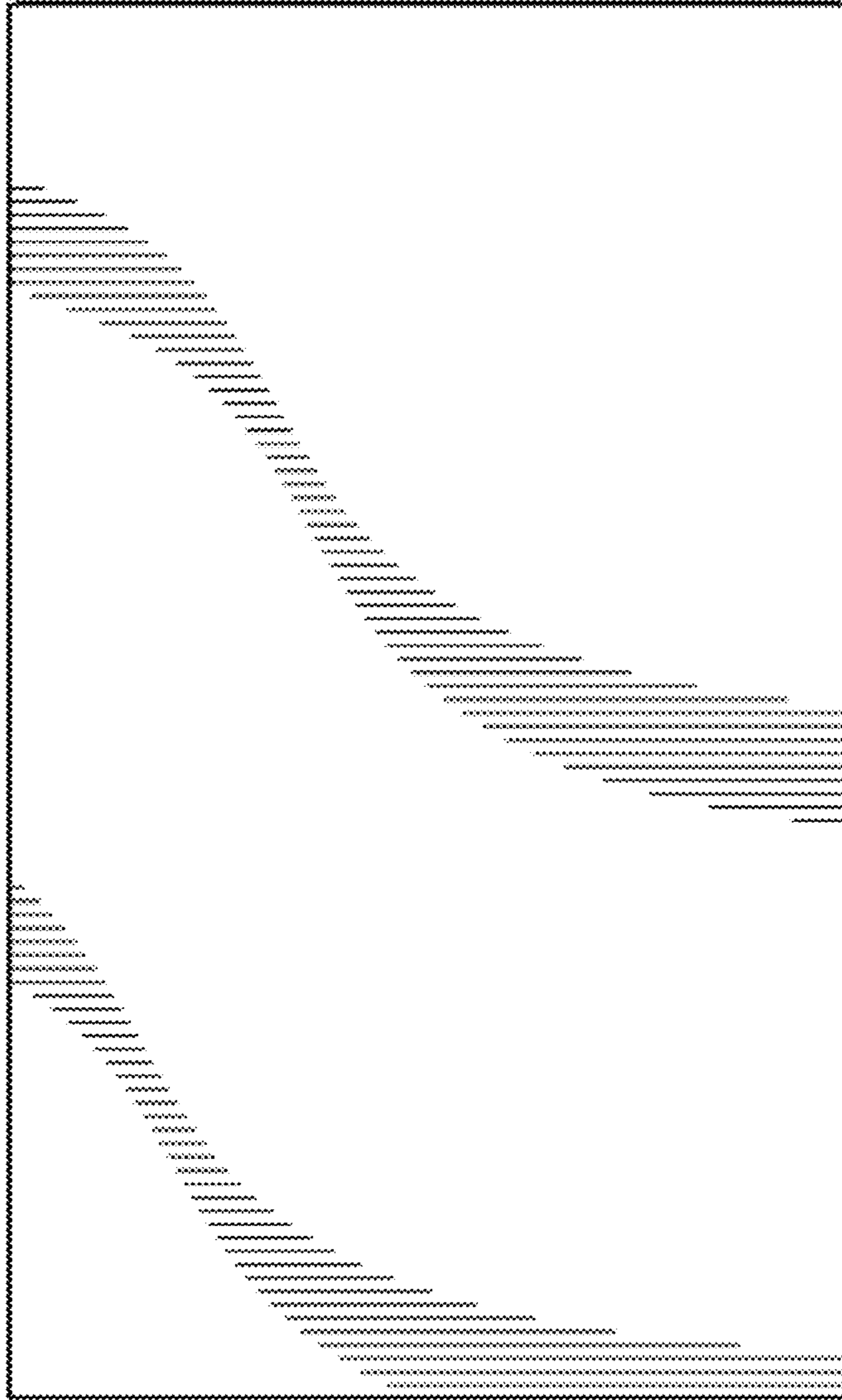


FIG. 6

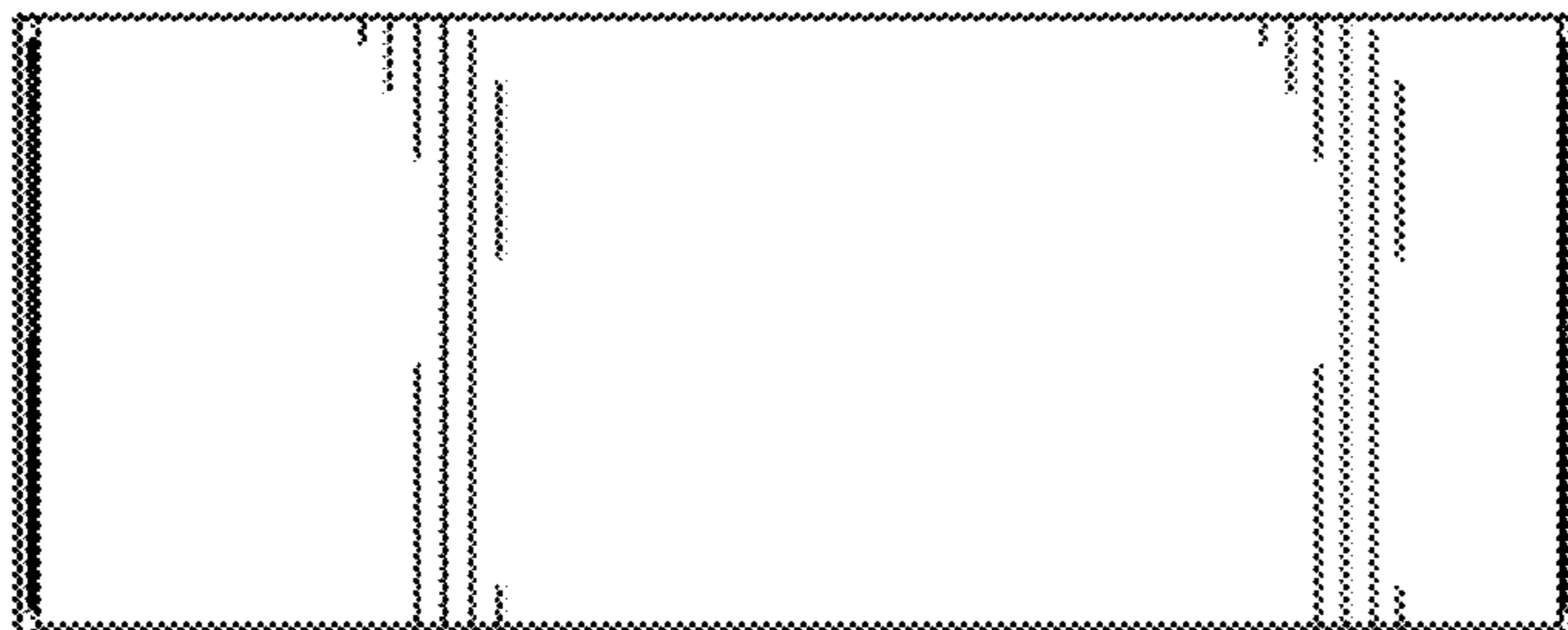


FIG. 7