



US00D676737S

(12) **United States Design Patent**
Zimmerer

(10) **Patent No.:** **US D676,737 S**

(45) **Date of Patent:** **** Feb. 26, 2013**

(54) **MULTIPLE USE CLIP**

(75) Inventor: **Tobias Zimmerer**, Langenfeld (DE)

(73) Assignee: **ara Shoes AG**, Langenfeld (DE)

(**) Term: **14 Years**

(21) Appl. No.: **29/425,382**

(22) Filed: **Jun. 22, 2012**

(30) **Foreign Application Priority Data**

May 24, 2012 (EM) 001327738

(51) **LOC (9) Cl.** **08-08**

(52) **U.S. Cl.** **D8/394; D8/395**

(58) **Field of Classification Search** D8/354,
D8/356, 371, 394-396; D19/65, 86; D24/128;
248/74.2, 215, 227.1, 49, 300, 301, 316.7,
248/51, 489; 24/570, 3.12; D32/61; D11/78.1
See application file for complete search history.

(56) **References Cited**

U.S. PATENT DOCUMENTS

1,462,193	A *	7/1923	Cook	40/634
D142,357	S *	9/1945	Younghusband	D11/78.1
D145,697	S *	10/1946	Mills	D11/78.1
4,821,934	A *	4/1989	Alessi et al.	224/667
D350,314	S *	9/1994	Schweitzer	D11/200
D390,493	S *	2/1998	Fletcher	D11/78.1
D506,783	S *	6/2005	Siegel	D19/65
D620,785	S *	8/2010	St. Germaine	D8/395
D650,951	S *	12/2011	Connelly et al.	D30/136
D651,363	S *	12/2011	Connelly et al.	D30/136

FOREIGN PATENT DOCUMENTS

WO	DM/054202	12/2000
WO	DM/064220	5/2003
WO	DM/070388	6/2008
WO	000872122-0001	10/2008

WO	000912795-0005	11/2008
WO	001057541-0001	2/2009
WO	001139299-0001	5/2009
WO	001194518-0001	3/2010
WO	001709650-0001	6/2010
WO	001222392-0001	8/2010
WO	001773219-0001	11/2010
WO	DM/074955	12/2010
WO	001874116-0001	9/2011
WO	001311146-0001	2/2012

OTHER PUBLICATIONS

- Exhibit 1 (Anlage 1)—“Bracks Schnürsenkel-Clip”.
- Exhibit 2 (Anlage 2)—“Schnürsenkel-Clip”.
- Exhibit 3 (Anlage 3)—“20x Schuh Clip f. Schnürsenkel Schuhbänder Kondelsenkel”.
- Exhibit 4 (Anlage 4)—“New Rock Boots Schnürsenkel Clip”.
- Exhibit 5 (Anlage 5)—“SneaXx Schuh-Clip für die Schnürsenkel Crown”.
- Exhibit 6 (Anlage 6)—“Divio—der inividuelle Fashion Clip”.

* cited by examiner

Primary Examiner — John Windmuller

(74) *Attorney, Agent, or Firm* — Horst M. Kasper

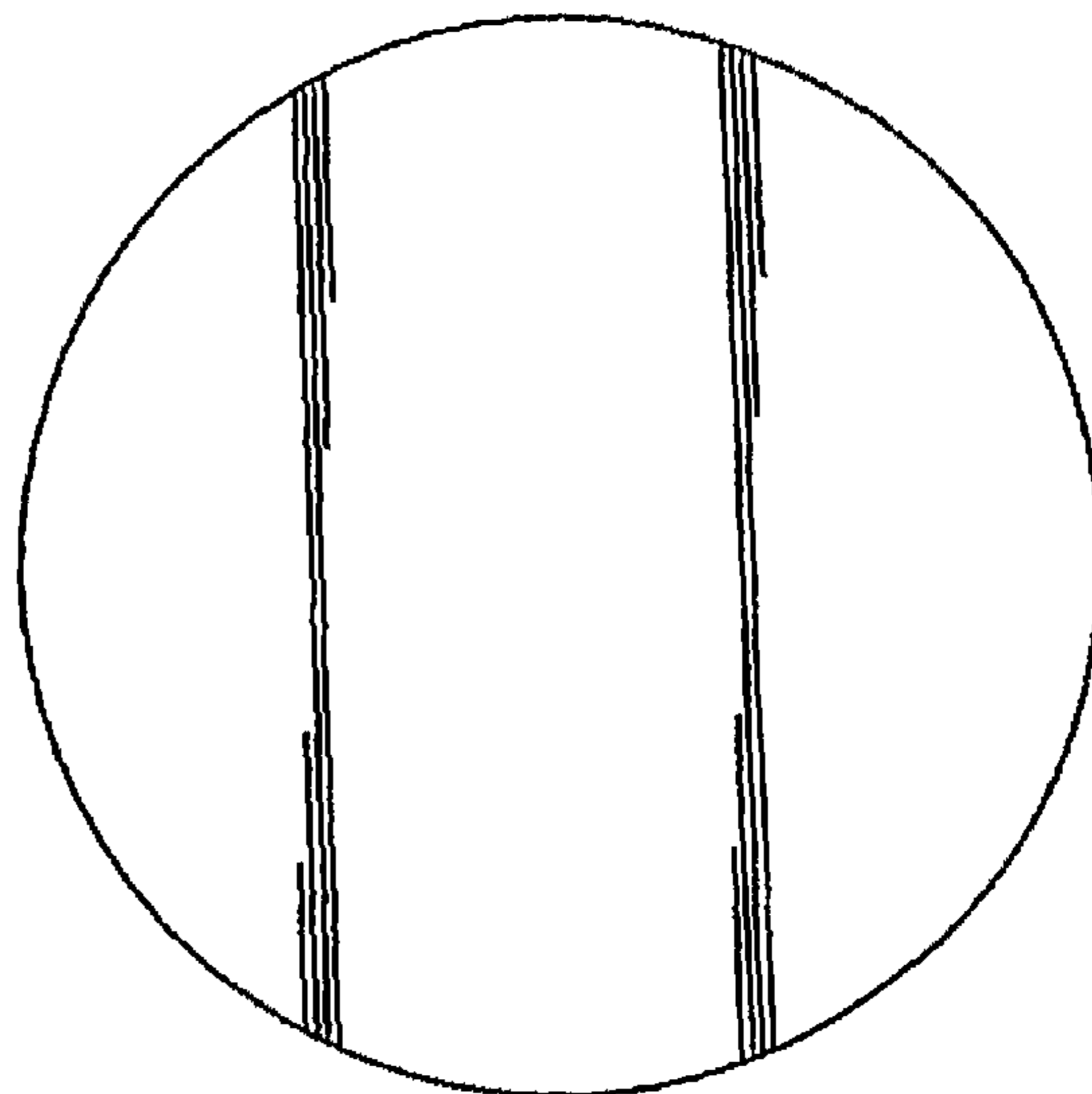
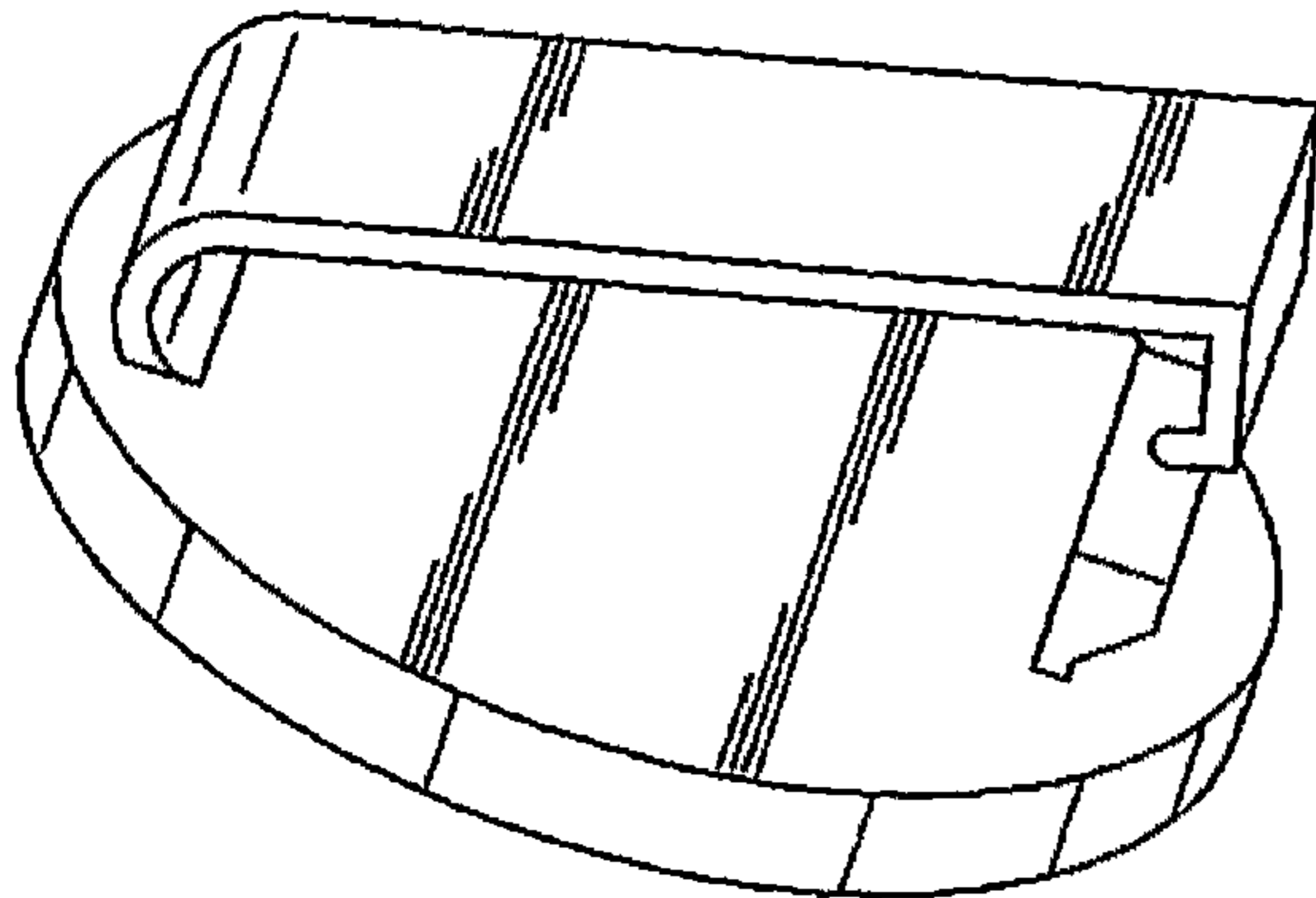
(57) **CLAIM**

The ornamental design for a multiple use clip, as shown and described.

DESCRIPTION

FIG. 1 is a top perspective view of a multiple use clip showing my new design;
 FIG. 2 is a front elevational view thereof;
 FIG. 3 is a rear elevational view thereof;
 FIG. 4 is a left side elevational view thereof;
 FIG. 5 is a right side elevational view thereof;
 FIG. 6 is a bottom plan view thereof; and,
 FIG. 7 is a top plan view thereof.

1 Claim, 7 Drawing Sheets



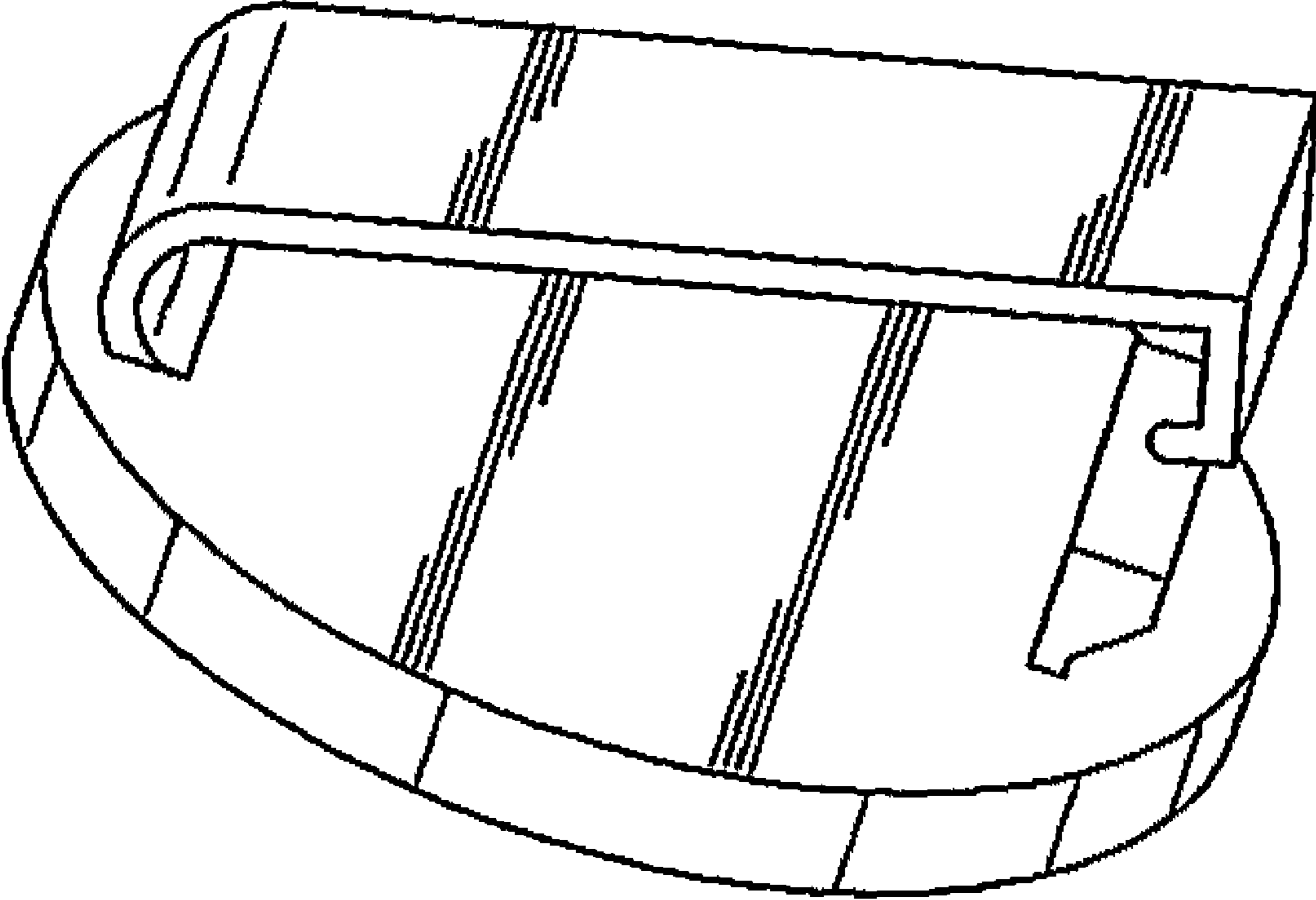


Fig. 1

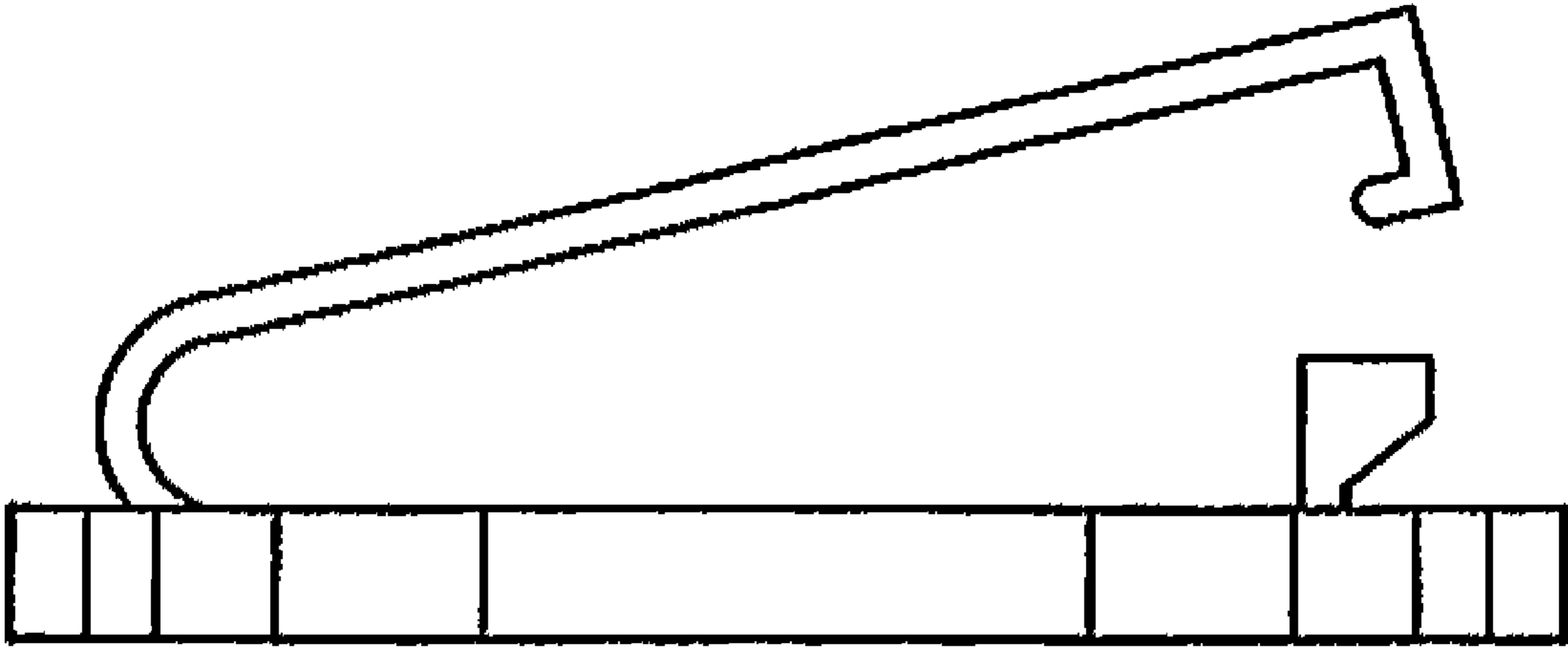


Fig. 2

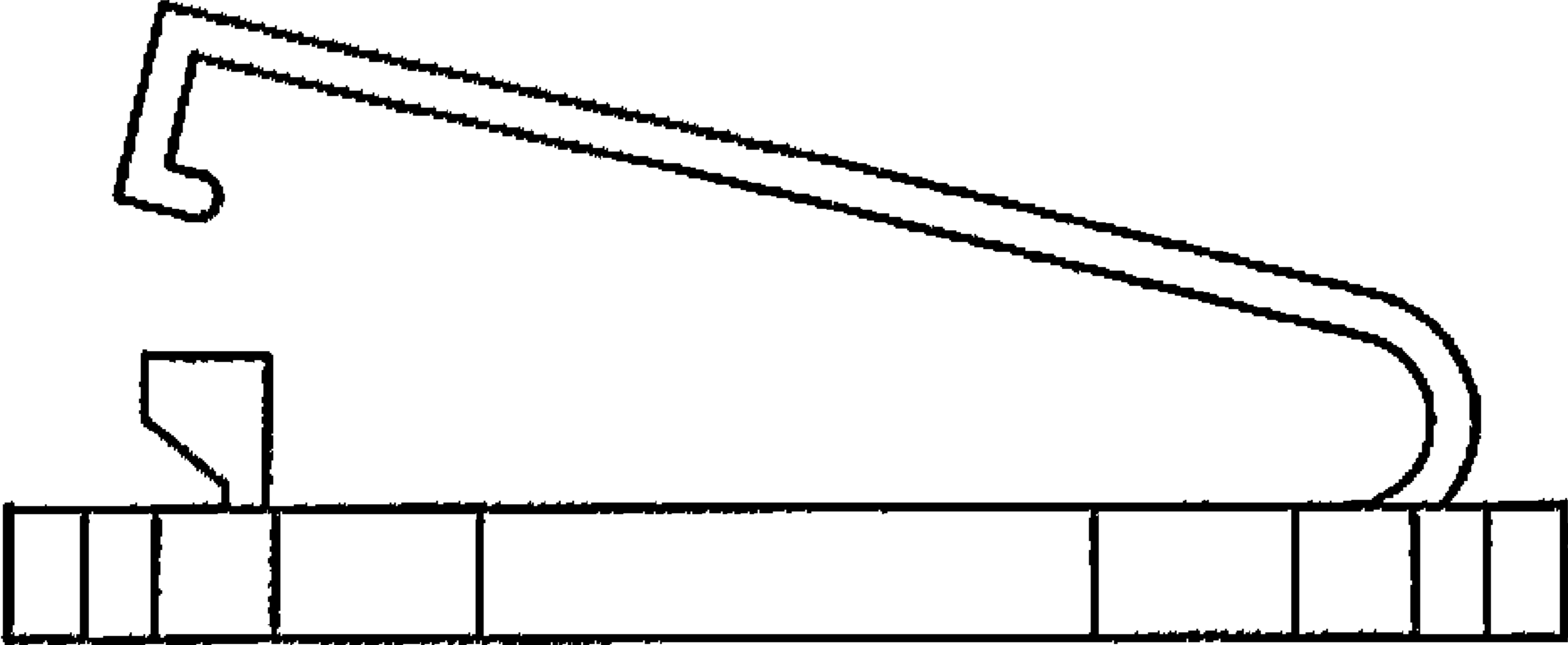


Fig. 3

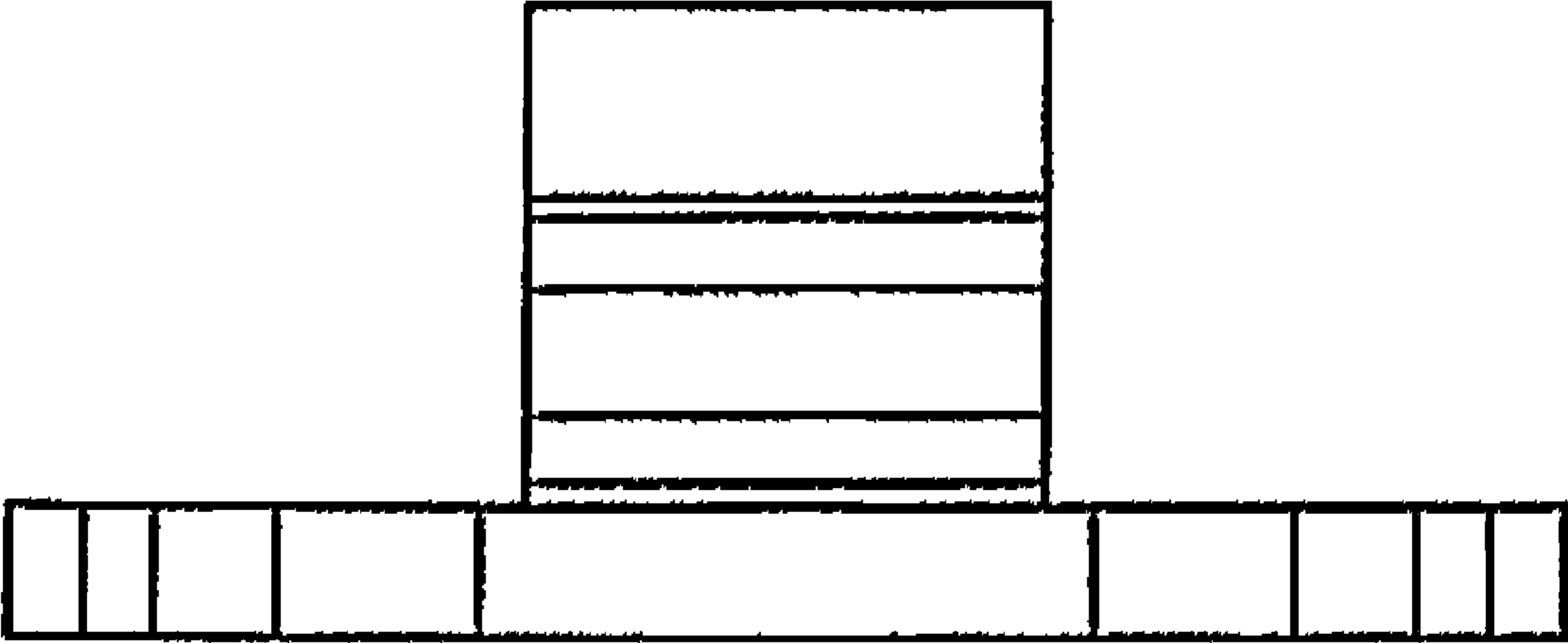


Fig. 4

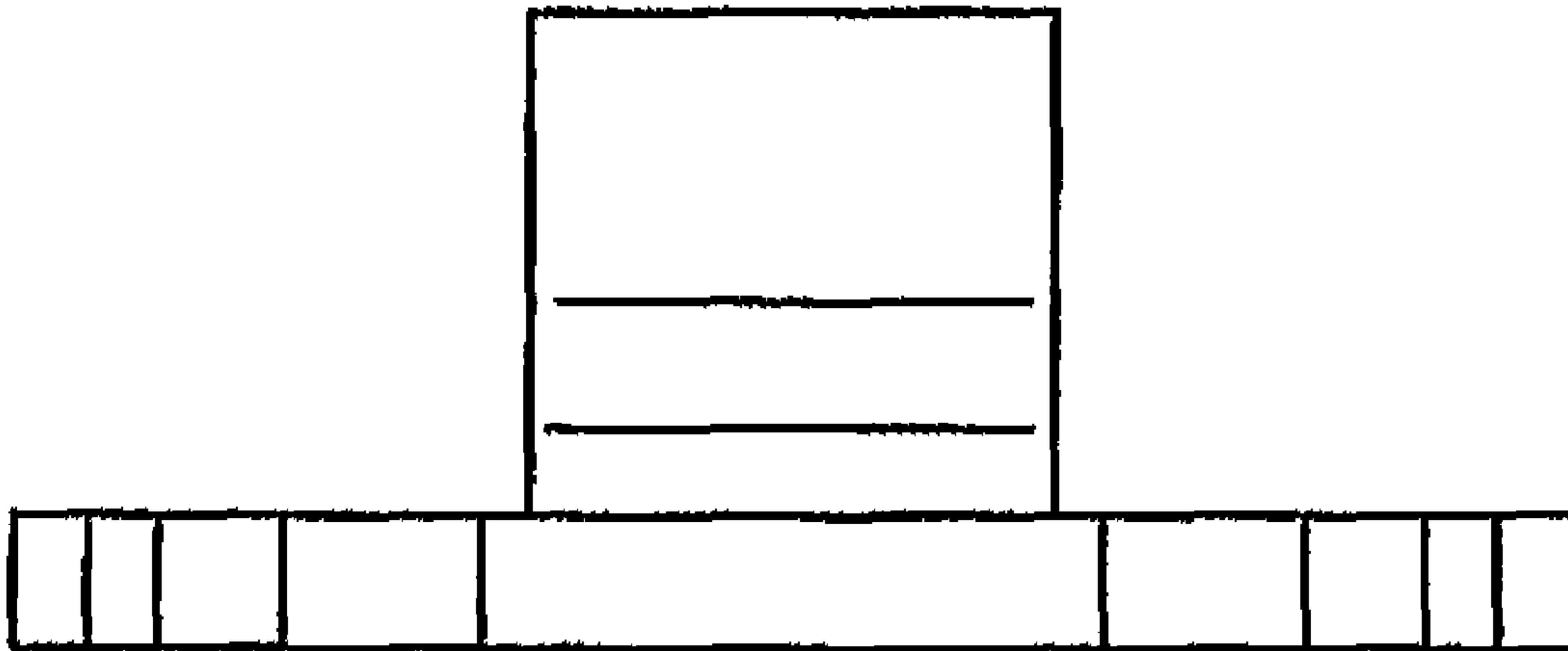


Fig. 5

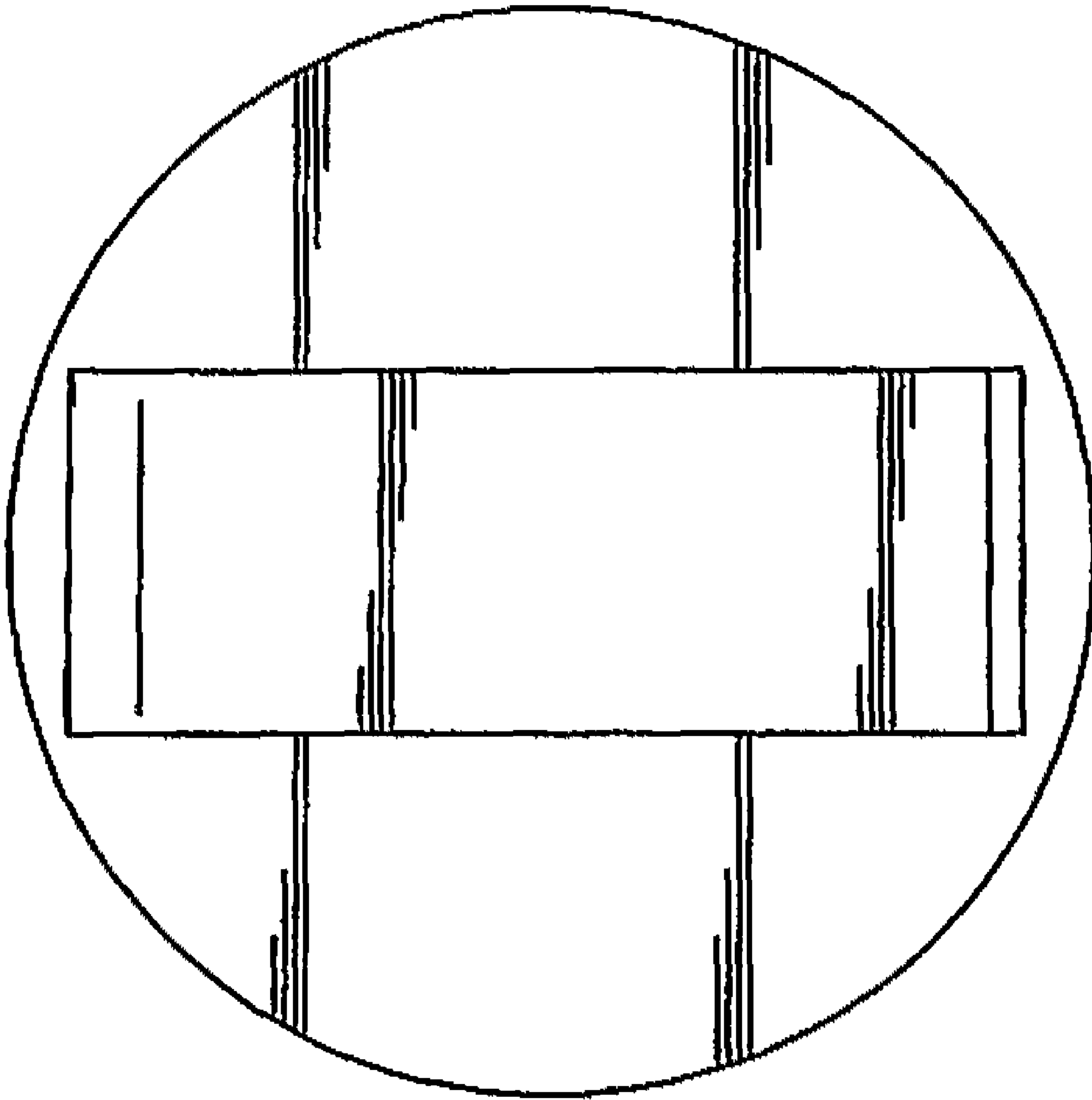


Fig. 6

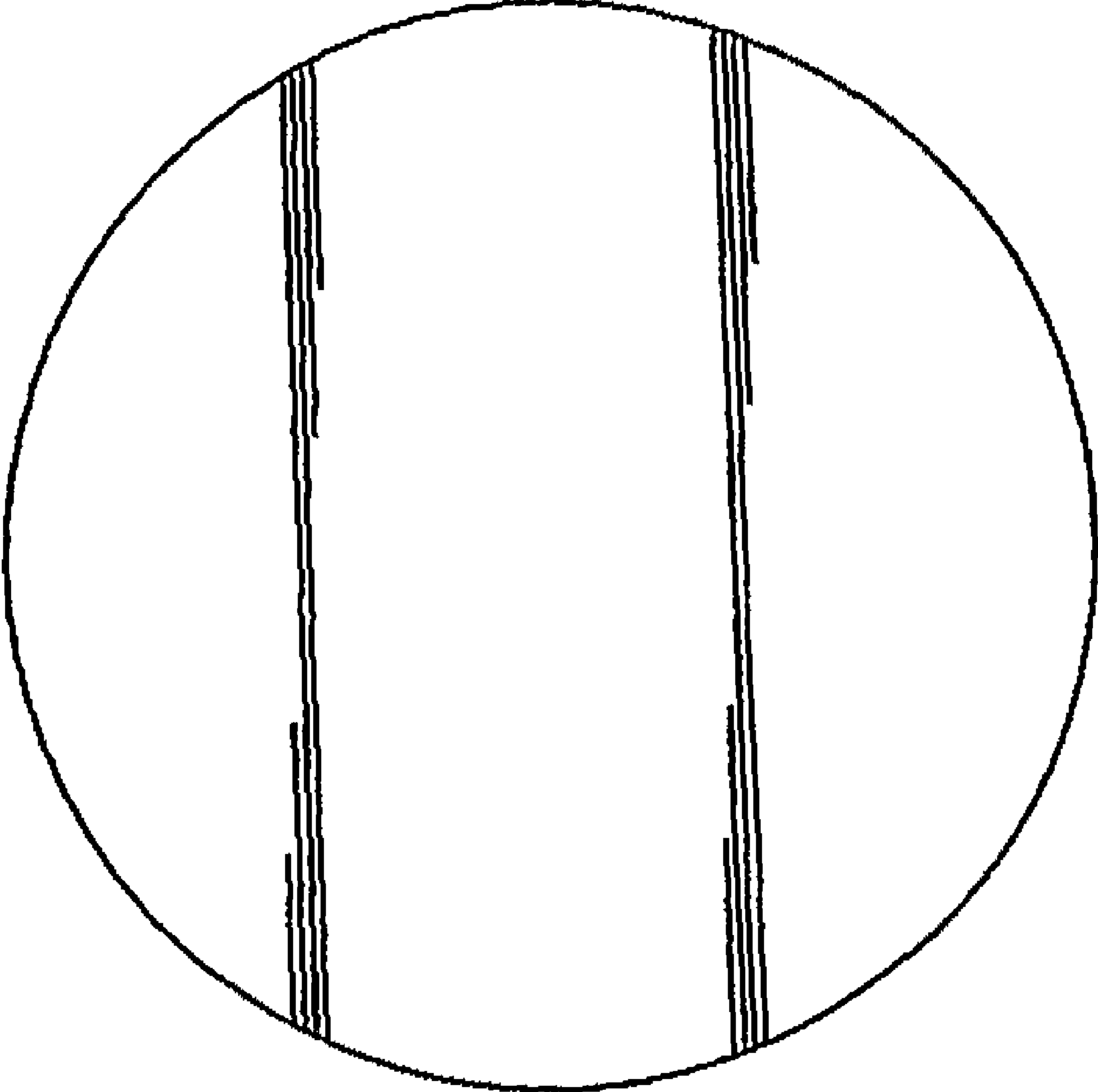


Fig. 7