



US00D676735S

(12) **United States Design Patent**
Lofley, Sr. et al.

(10) **Patent No.:** **US D676,735 S**
(45) **Date of Patent:** **** Feb. 26, 2013**

(54) **TOOL HEAD**

(76) Inventors: **Robert G. Lofley, Sr.**, Seffner, FL (US);
Robert G. Lofley, Jr., Seffner, FL (US)

(**) Term: **14 Years**

(21) Appl. No.: **29/414,965**

(22) Filed: **Mar. 6, 2012**

Related U.S. Application Data

(63) Continuation-in-part of application No. 29/373,451,
filed on Apr. 11, 2011.

(51) **LOC (9) Cl.** **08-05**

(52) **U.S. Cl.** **D8/367**

(58) **Field of Classification Search** D8/367,
D8/371, 373, 382, 29, 105, 107; 24/265,
24/265 H, 298, 373, 598.7, 599.1, 599.2-599.8,
24/600.1, 600.2, 600.3, 600.9, 598.34; 428/91,
428/100; 294/82.1, 24; 114/249
See application file for complete search history.

(56) **References Cited**

U.S. PATENT DOCUMENTS

684,858	A	10/1901	Pearson	
872,271	A	10/1907	Benet	
918,579	A	4/1909	Murch	
1,365,851	A	1/1921	Reynolds	
1,726,372	A	8/1929	Stoll	
4,076,213	A	2/1978	Payson	
4,577,837	A	3/1986	Berg et al.	
4,646,378	A	3/1987	Borden	
4,715,252	A	12/1987	Pella	
4,918,896	A	4/1990	Wiese	
4,991,469	A	2/1991	Pella	
D336,601	S *	6/1993	Crawford	D8/98
5,433,551	A	7/1995	Gordon	
5,481,950	A	1/1996	Browning	
5,625,923	A	5/1997	Huang	
5,811,688	A	9/1998	Marsh et al.	
D432,880	S *	10/2000	Rice et al.	D8/29
D433,305	S *	11/2000	Wu	D8/107
6,182,539	B1	2/2001	Webster	
6,213,672	B1	4/2001	Varga	
6,254,305	B1	7/2001	Taylor	

6,347,777	B1	2/2002	Webber	
6,461,074	B2	10/2002	Taylor	
D468,989	S *	1/2003	Gringer et al.	D8/107
6,682,209	B2	1/2004	Drake et al.	
6,951,185	B1	10/2005	Wiese	
7,025,015	B2	4/2006	Wilcox et al.	
7,040,832	B2	5/2006	Hsieh	
D526,024	S *	8/2006	Iannello et al.	D20/8
7,097,380	B2	8/2006	Lee	
7,111,574	B2	9/2006	Slatter	
D533,026	S *	12/2006	Dotterman et al.	D7/393
7,293,934	B1	11/2007	Huang	
7,311,061	B1	12/2007	Wiese	
D576,025	S *	9/2008	Mazzocco	D8/382
D600,100	S *	9/2009	Moncade	D8/367
D601,880	S *	10/2009	Veilleux	D8/367
D604,139	S *	11/2009	Forsythe	D8/105
D630,076	S *	1/2011	O'Connell	D8/105
D663,193	S	7/2012	Lofley, Sr. et al.	
2004/0016385	A1	1/2004	Wilcox et al.	
2006/0062632	A1	3/2006	Jang	

OTHER PUBLICATIONS

U.S. Appl. No. 12/589,856, Robert G. Lofley, Sr., et al.
U.S. Appl. No. 12/927,952, Robert G. Lofley, Sr., et al.
U.S. Appl. No. 13/374,200, Robert G. Lofley, Sr., et al.
U.S. Appl. No. 13/397,389, Robert G. Lofley, Sr., et al.
U.S. Appl. No. 13/616,293, Robert G. Lofley, Sr., et al.
U.S. Appl. No. 61/633,026, Robert G. Lofley, Sr., et al.
U.S. Appl. No. 12/567,135, Ricardo Cuyar.

Primary Examiner — Cynthia Underwood

(74) *Attorney, Agent, or Firm* — Frijouf, Rust & Pyle, P.A.

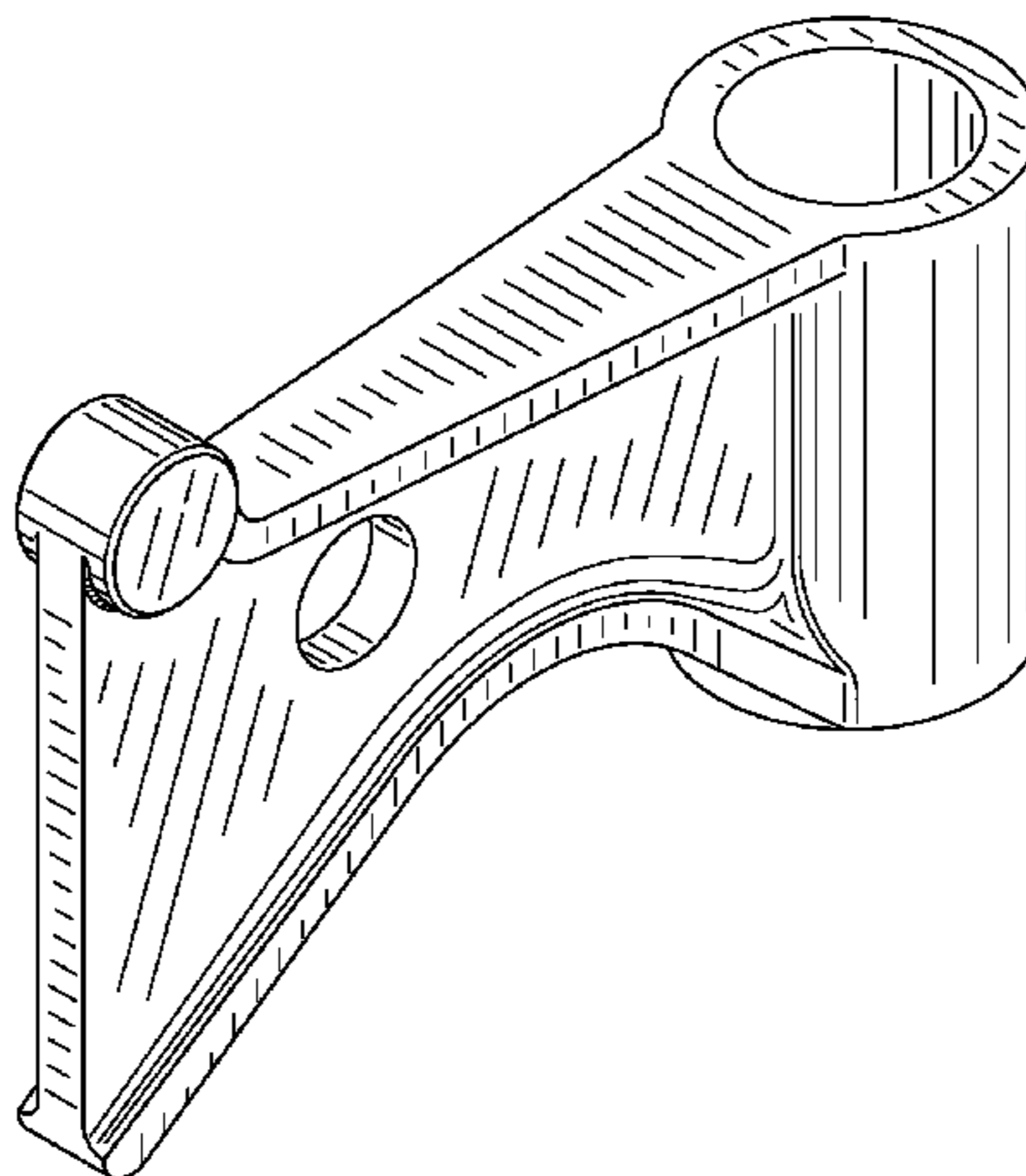
(57) **CLAIM**

The ornamental design for a tool head, as shown and described.

DESCRIPTION

FIG. 1 is a right front perspective view of our new design for a tool head;
FIG. 2 is a left front perspective view of FIG. 1;
FIG. 3 is a side view of FIG. 1;
FIG. 4 is a side view of FIG. 2;
FIG. 5 is a top view of FIG. 1;
FIG. 6 is a bottom view of FIG. 1;
FIG. 7 is a front view of FIG. 1; and,
FIG. 8 is a rear view of FIG. 1.

1 Claim, 3 Drawing Sheets



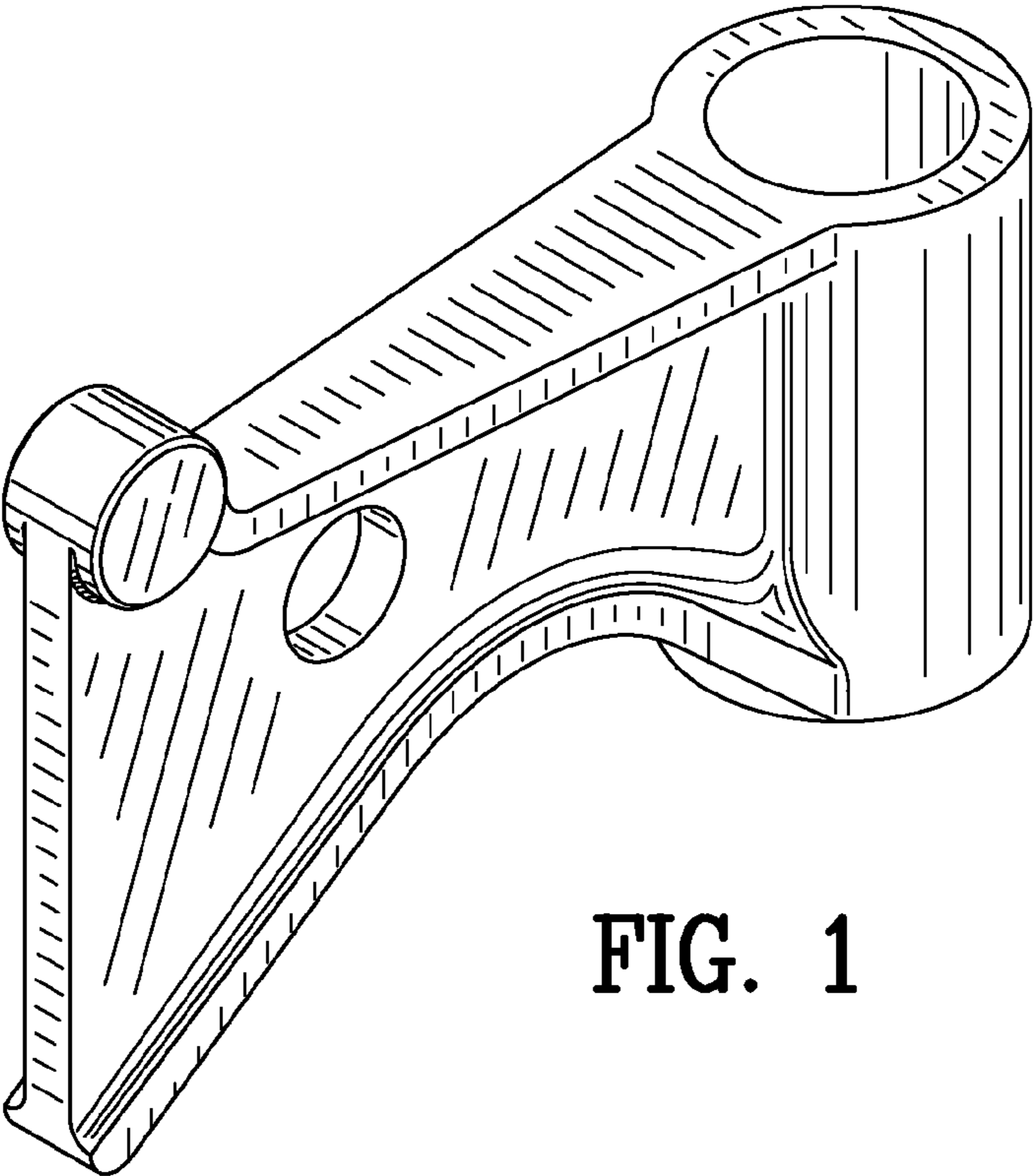


FIG. 1

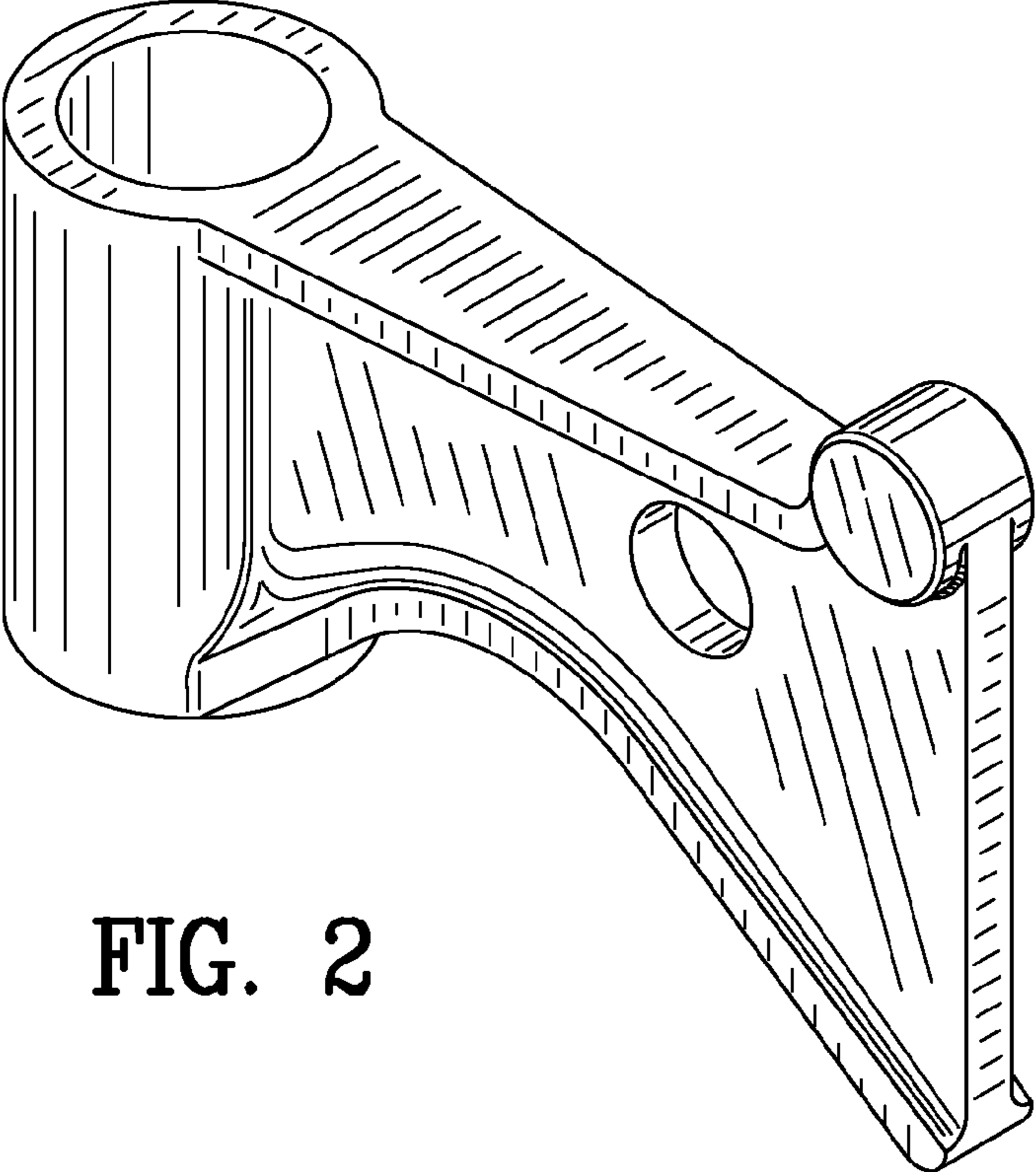


FIG. 2

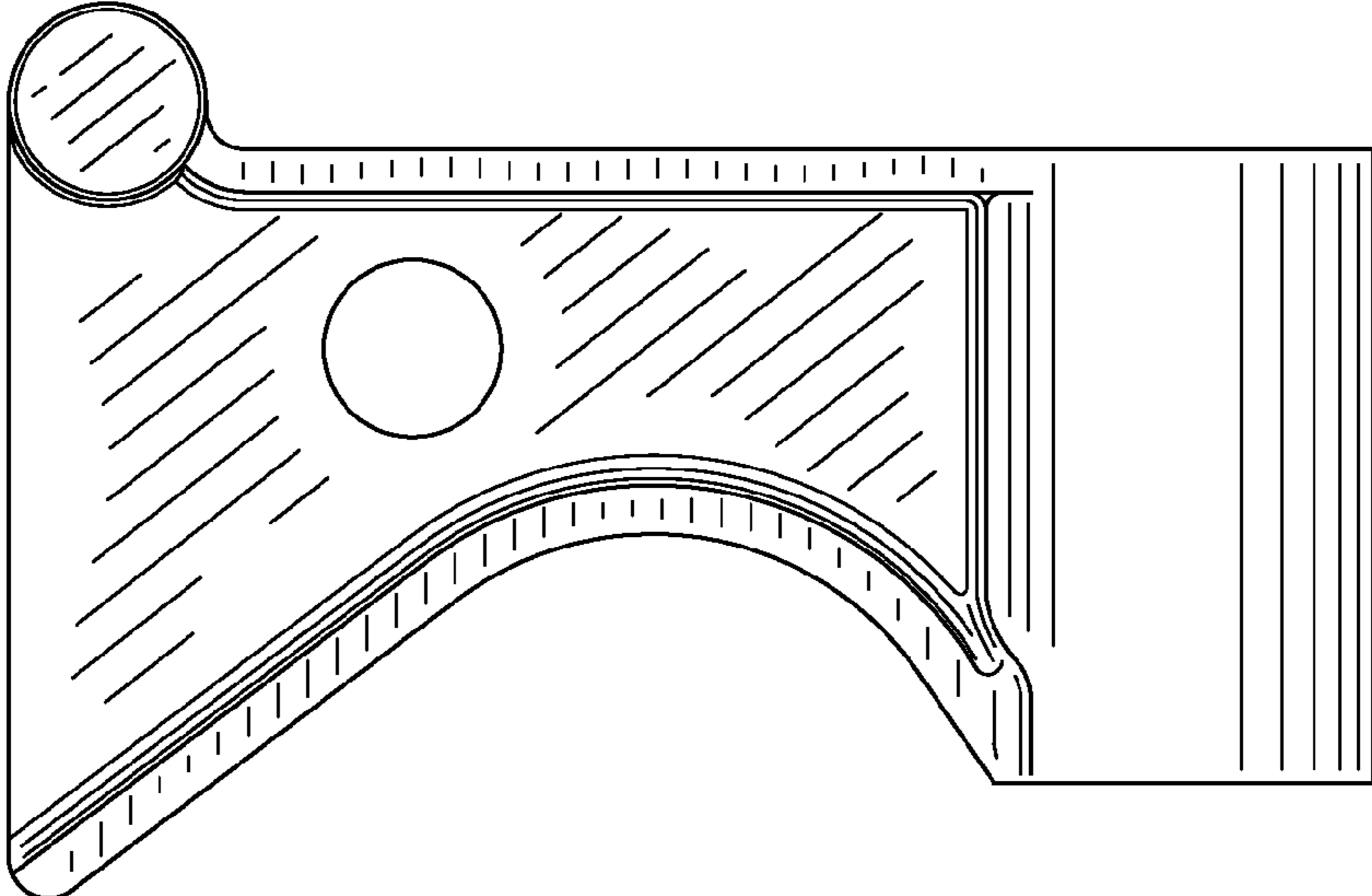


FIG. 3

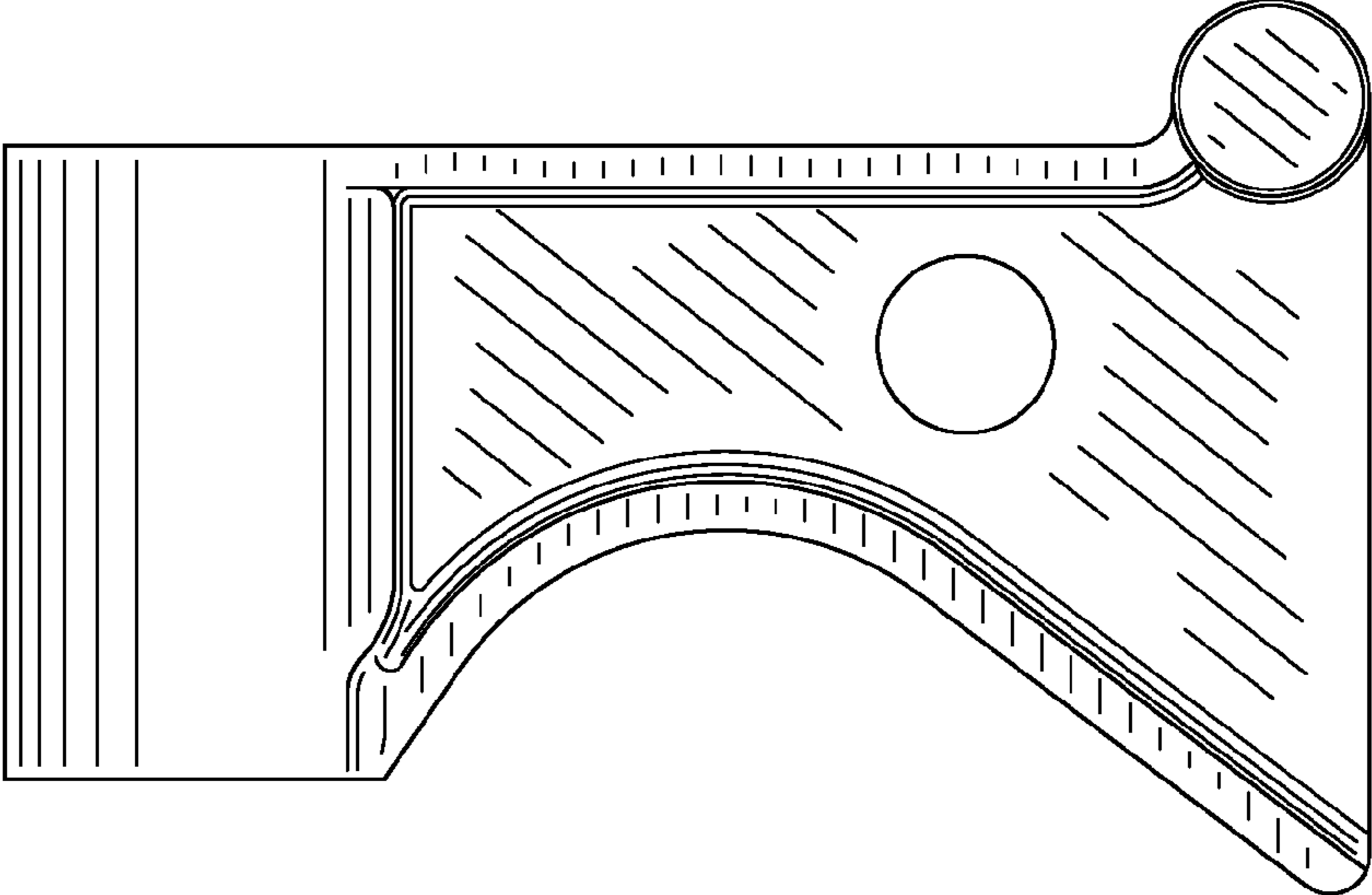


FIG. 4

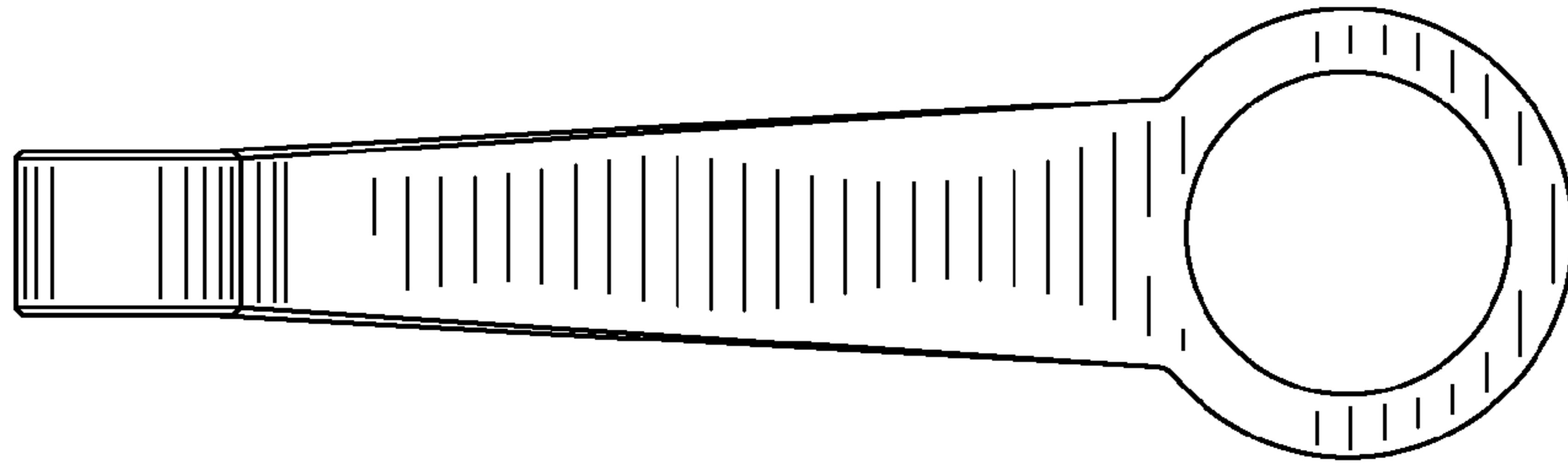


FIG. 5

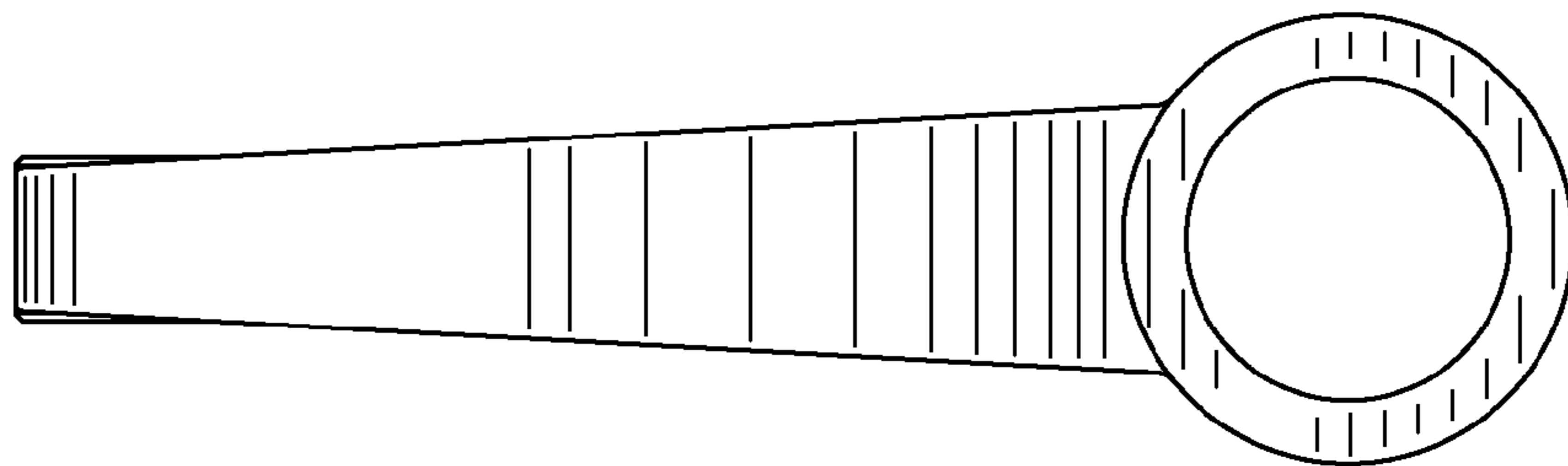


FIG. 6

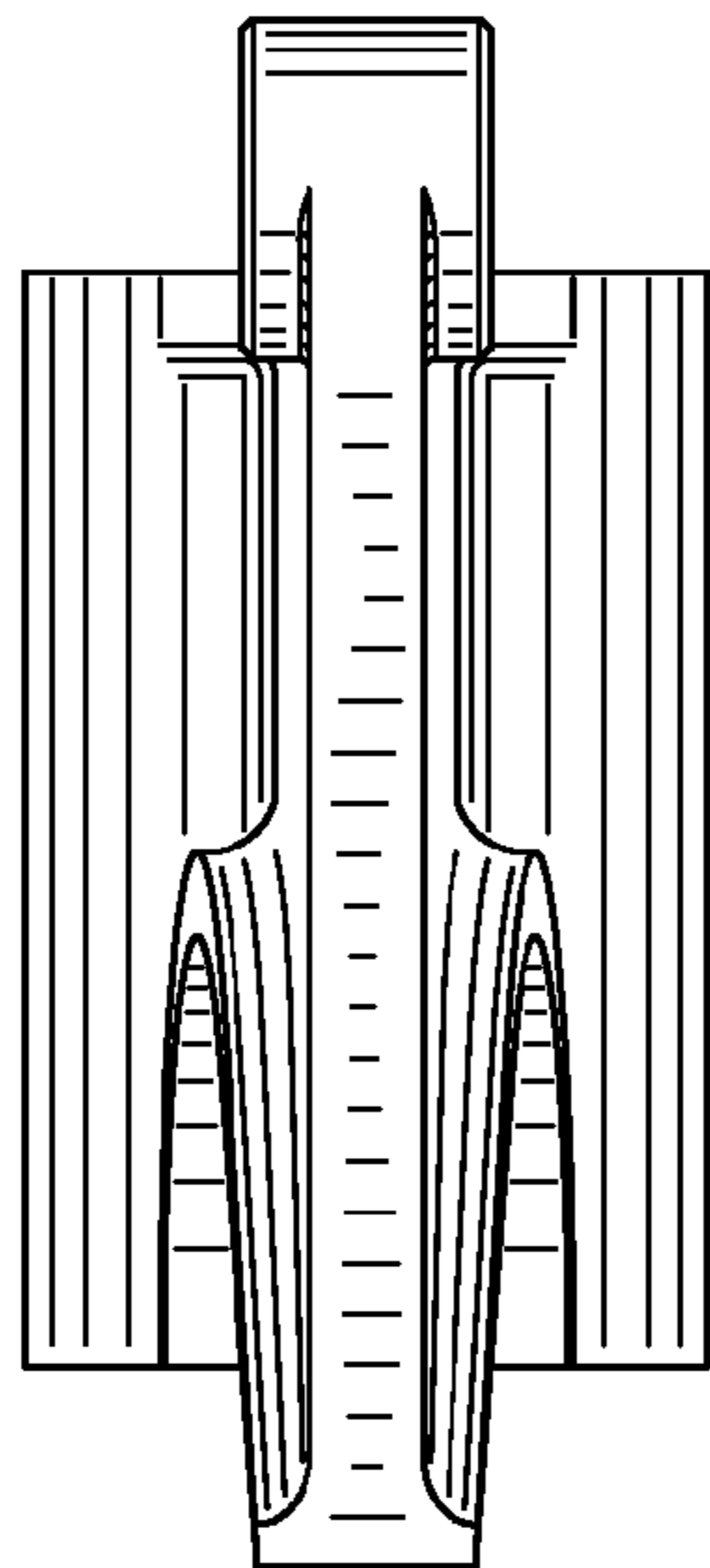


FIG. 7

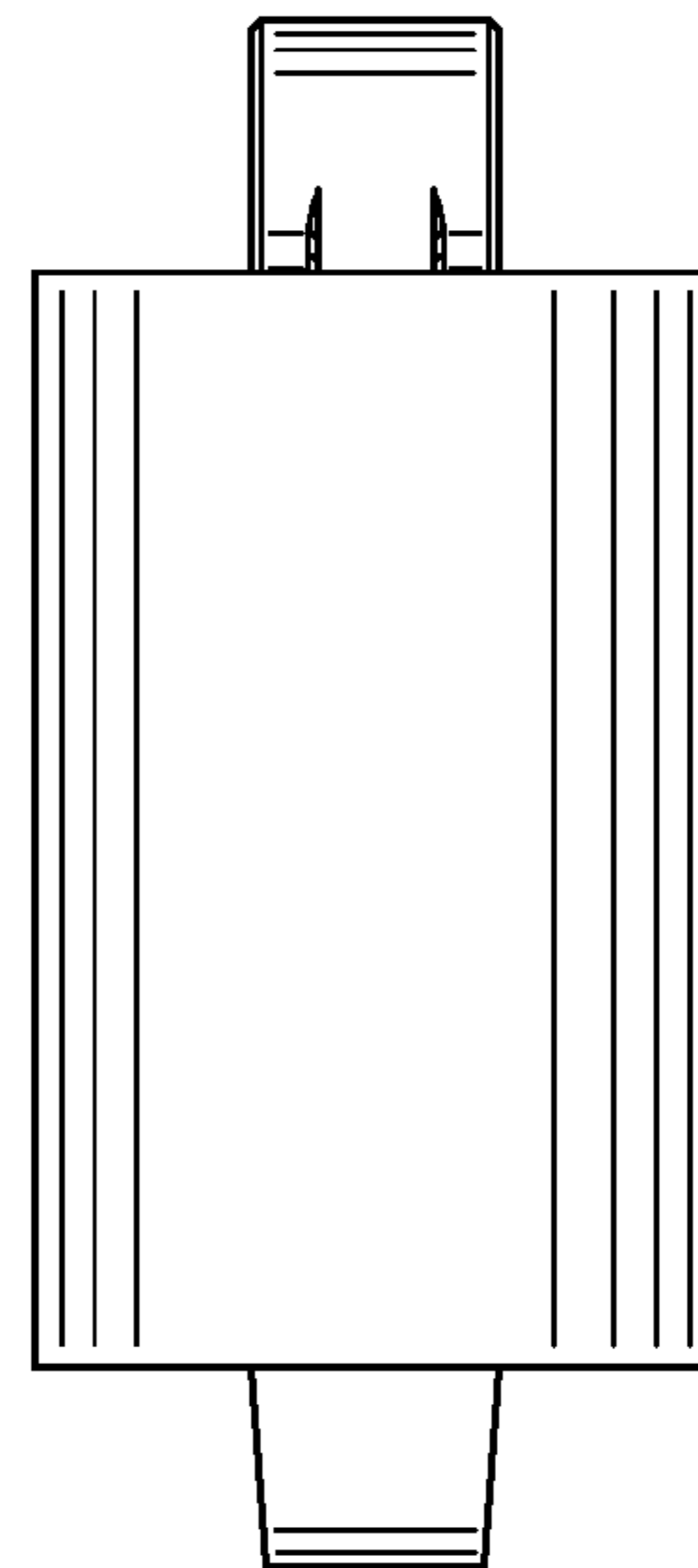


FIG. 8