



US00D676734S

(12) **United States Design Patent**
Moreau et al.

(10) **Patent No.:** **US D676,734 S**

(45) **Date of Patent:** **** Feb. 26, 2013**

(54) **LANYARD SWIVEL CUP AND TAB ASSEMBLY**

(76) Inventors: **Darrell A. Moreau**, Manchester, NH (US); **Andre W. Moresu**, Spring Hill, FL (US)

(**) Term: **14 Years**

(21) Appl. No.: **29/429,446**

(22) Filed: **Aug. 10, 2012**

(51) **LOC (9) Cl.** **08-05**

(52) **U.S. Cl.** **D8/356**

(58) **Field of Classification Search** D8/356,
D8/354, 349, 383; D11/3; D3/215; 24/115 R
See application file for complete search history.

(56) **References Cited**

U.S. PATENT DOCUMENTS

2,830,478	A *	4/1958	Prince	81/180.1
3,919,740	A *	11/1975	Scherb	452/187
4,004,325	A *	1/1977	Hubachek	24/3.6
5,363,680	A *	11/1994	Wu	70/456 R
D394,801	S *	6/1998	Blocher	D8/395
D395,596	S *	6/1998	Butera	D8/396
D442,068	S *	5/2001	Buettell	D8/367
6,691,382	B1 *	2/2004	Su	24/545
6,973,812	B2 *	12/2005	Piermattei	70/456 R
7,032,590	B2 *	4/2006	Loeffler et al.	128/200.24
D597,399	S *	8/2009	Draeger-Larkin	D8/356
D631,728	S *	2/2011	Rainey	D8/349
D642,896	S *	8/2011	Buras et al.	D8/356

D662,435	S *	6/2012	Kalbach	D11/3
D667,749	S *	9/2012	Case et al.	D11/3
8,266,768	B2 *	9/2012	Sarra	24/3.1
2003/0041417	A1 *	3/2003	Smith	24/16 R

* cited by examiner

Primary Examiner — Cynthia Underwood

(74) *Attorney, Agent, or Firm* — Robert R. Deleault, Esq.; Mesmer & Deleault, PLLC

(57) **CLAIM**

We claim the ornamental design for a lanyard swivel cup and tab assembly, as shown and described.

DESCRIPTION

FIG. 1 is a front, right perspective view of a lanyard swivel cup and tab assembly showing our new design.

FIG. 2 is a front, left perspective view thereof.

FIG. 3 is a front plan view thereof.

FIG. 4 is a rear plan view thereof.

FIG. 5 is a right side plan view thereof.

FIG. 6 is a top plan view thereof.

FIG. 7 is a bottom plan view thereof.

FIG. 8 is an exploded view thereof; and,

FIG. 9 is a front, right perspective view thereof with a carabiner attached thereto.

The broken lines in FIG. 7 are for illustrative purposes only and the broken line showing of a carabiner and an attaching ring in FIG. 9 are illustrative of an environment of use. The broken lines form no part of the claimed design.

1 Claim, 3 Drawing Sheets

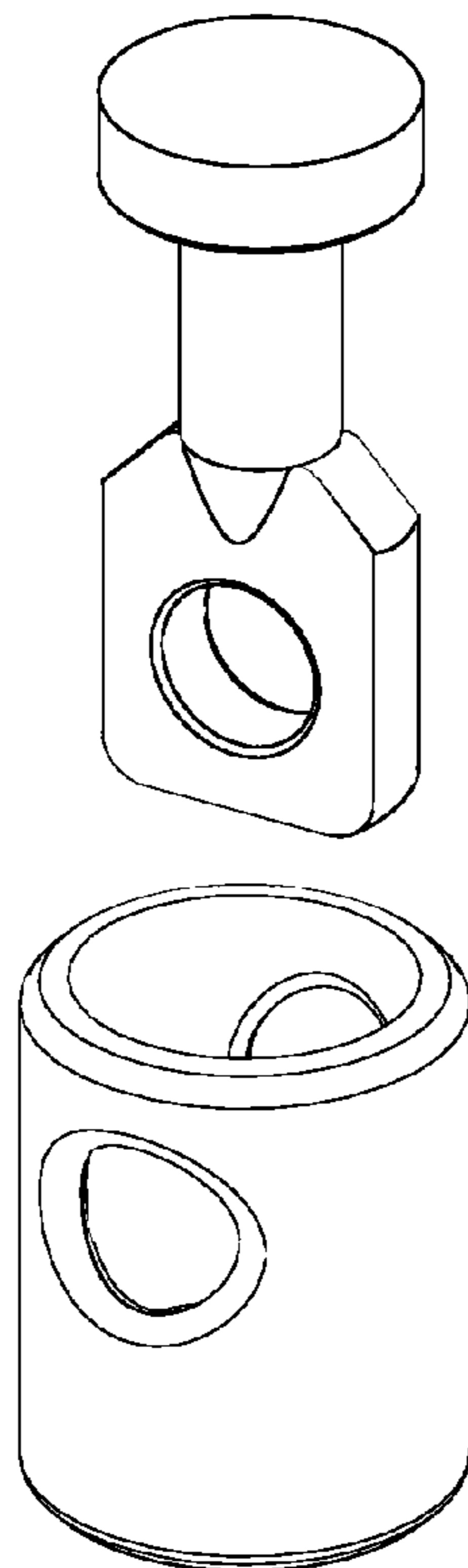


Fig. 1

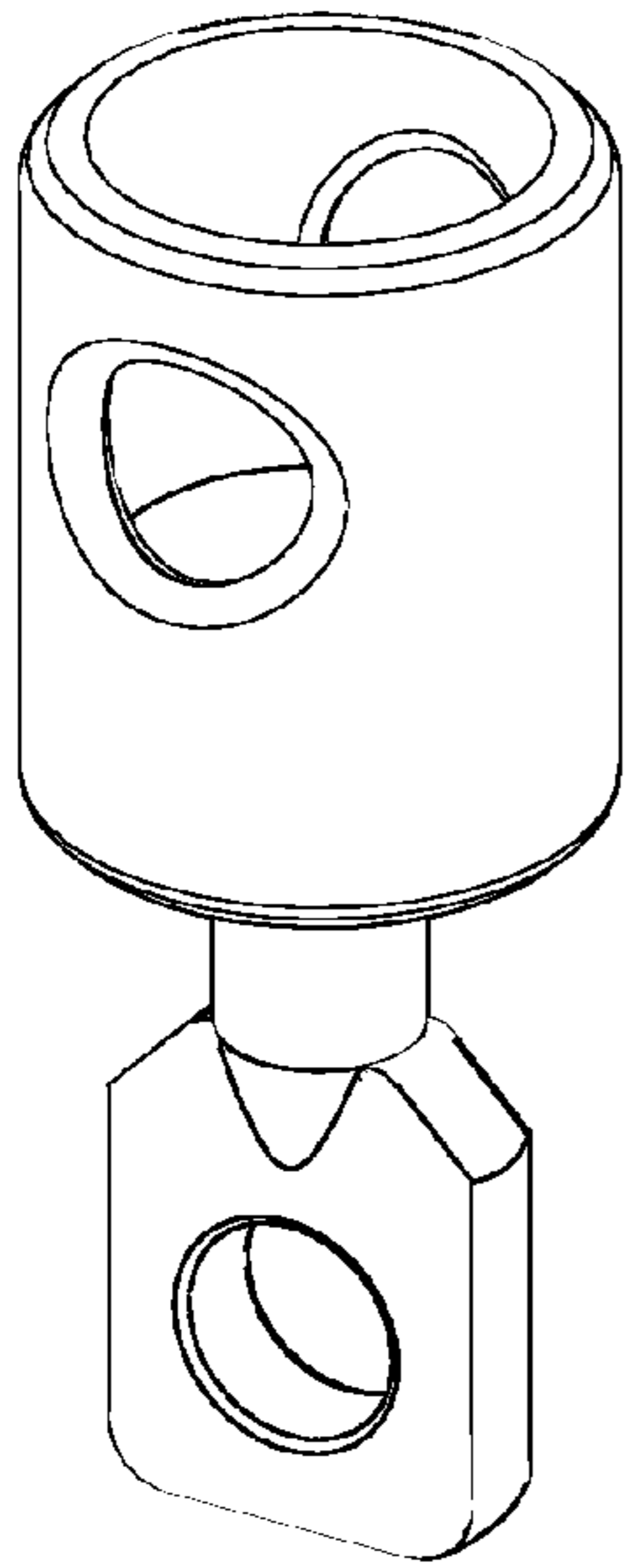


Fig. 2

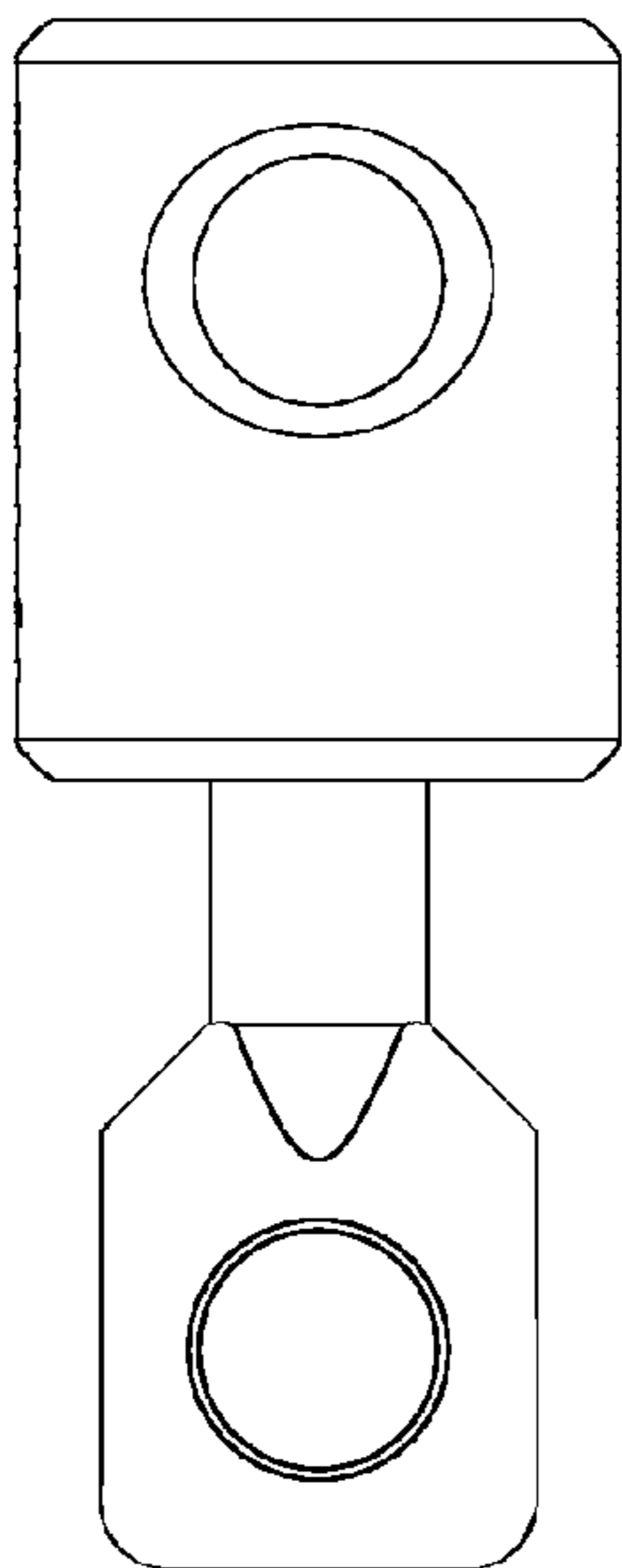
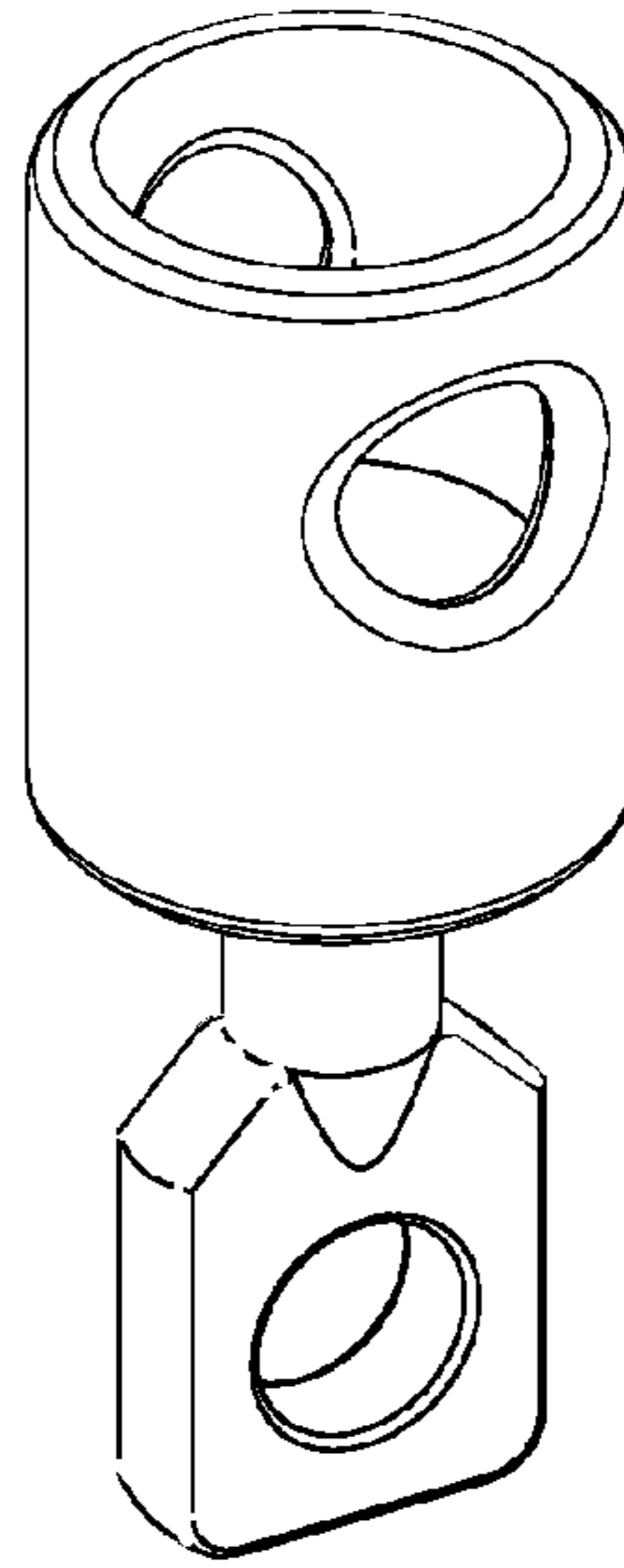


Fig. 3

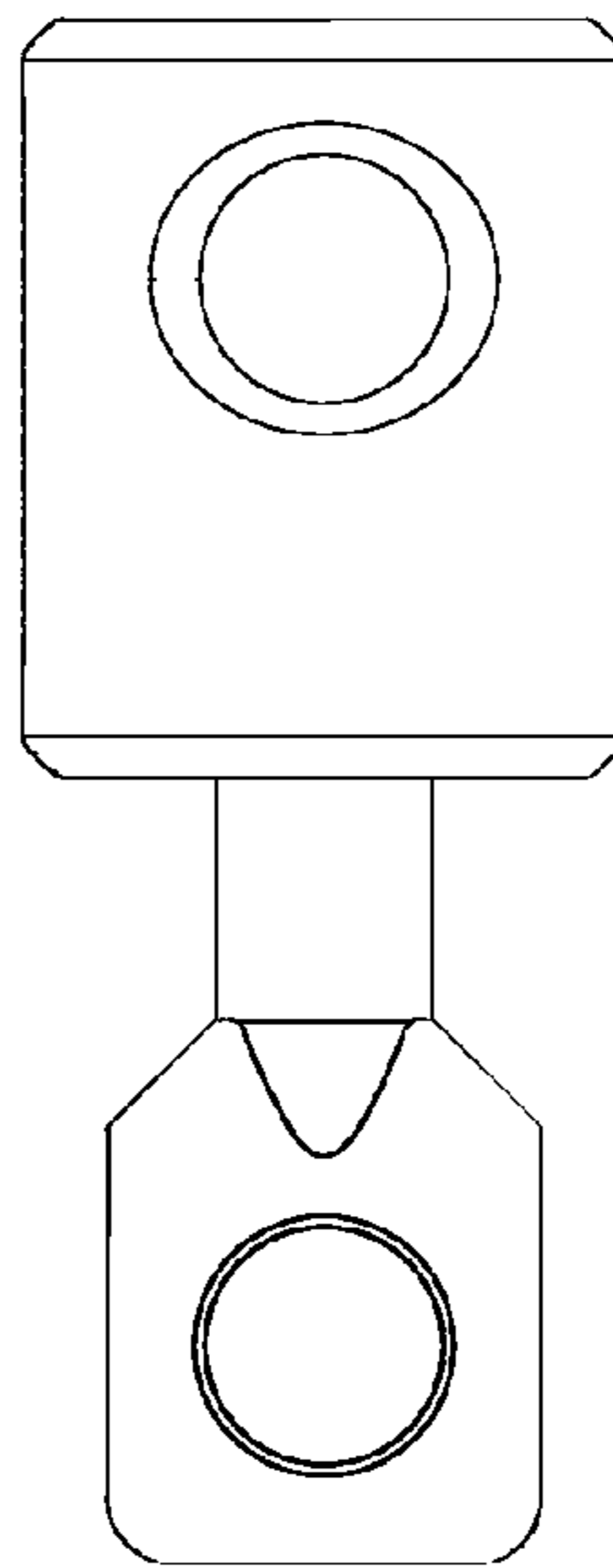


Fig. 4

Fig. 5

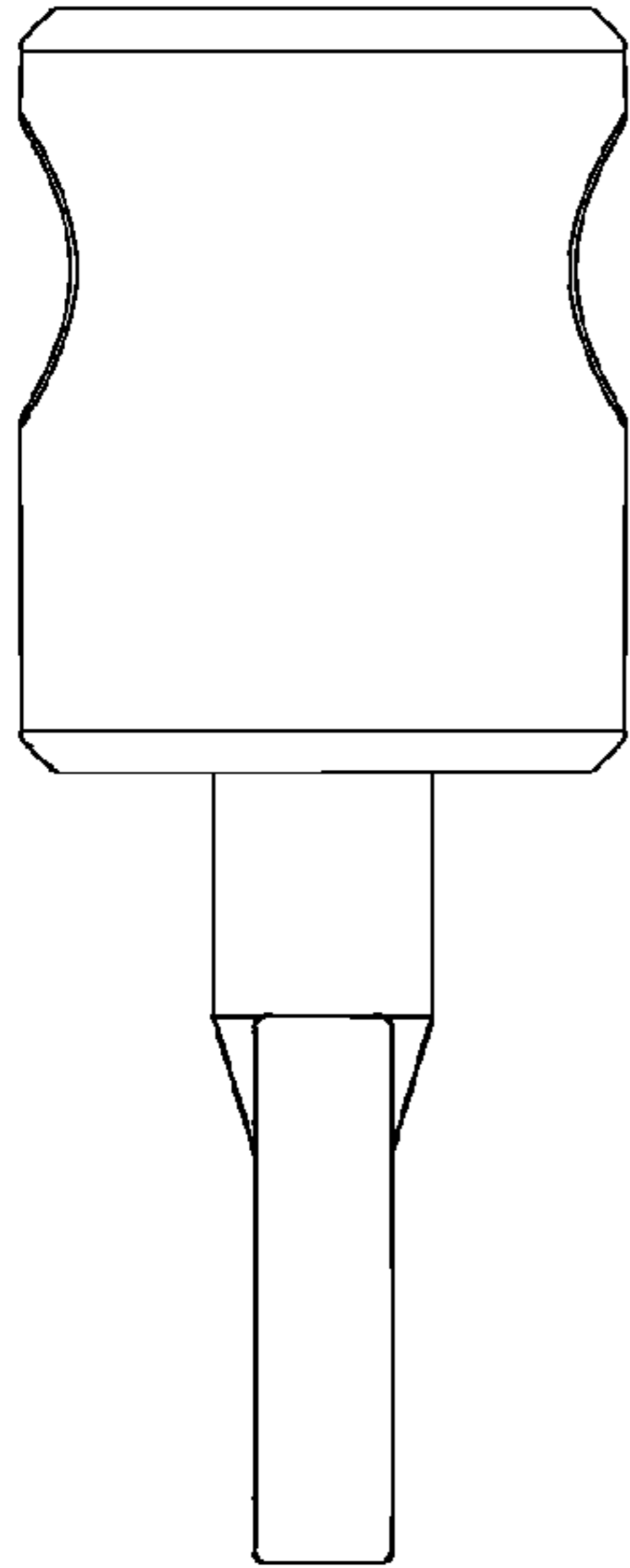


Fig. 6

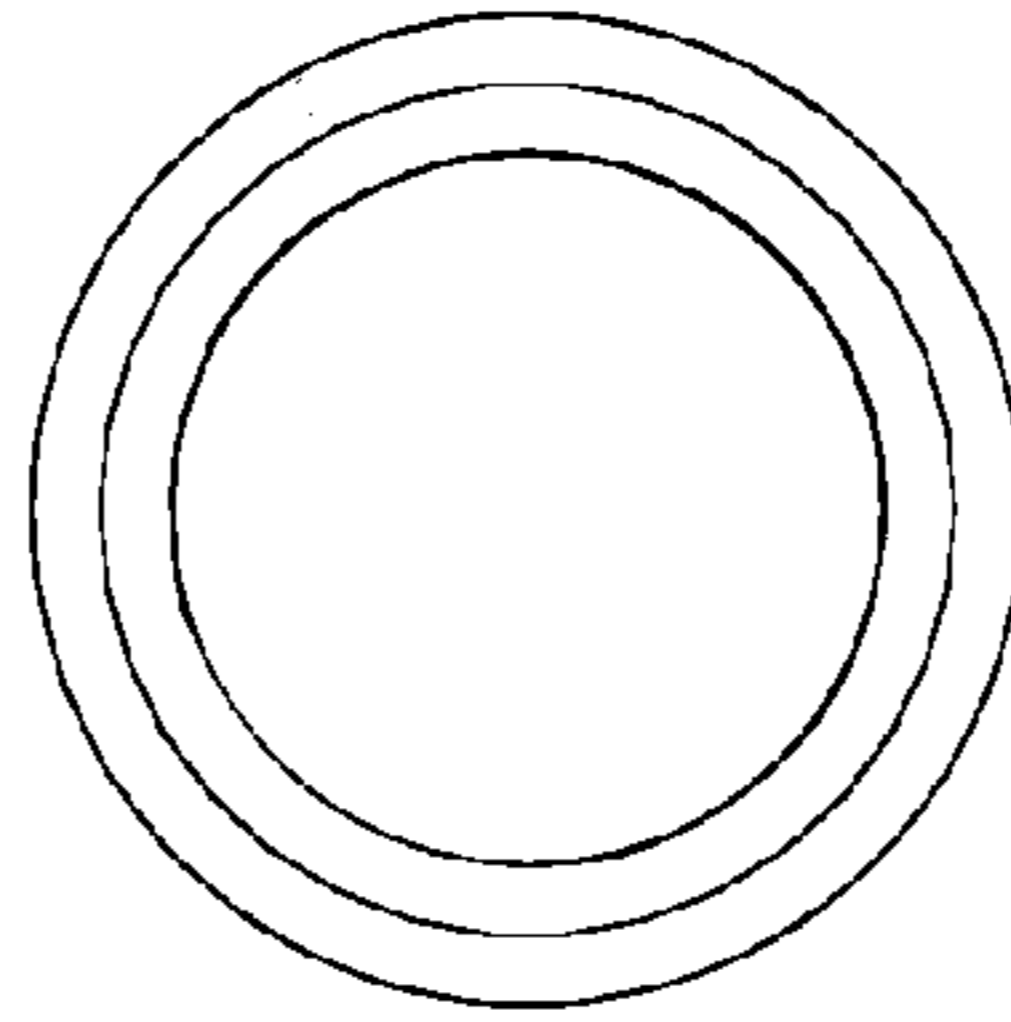


Fig. 7

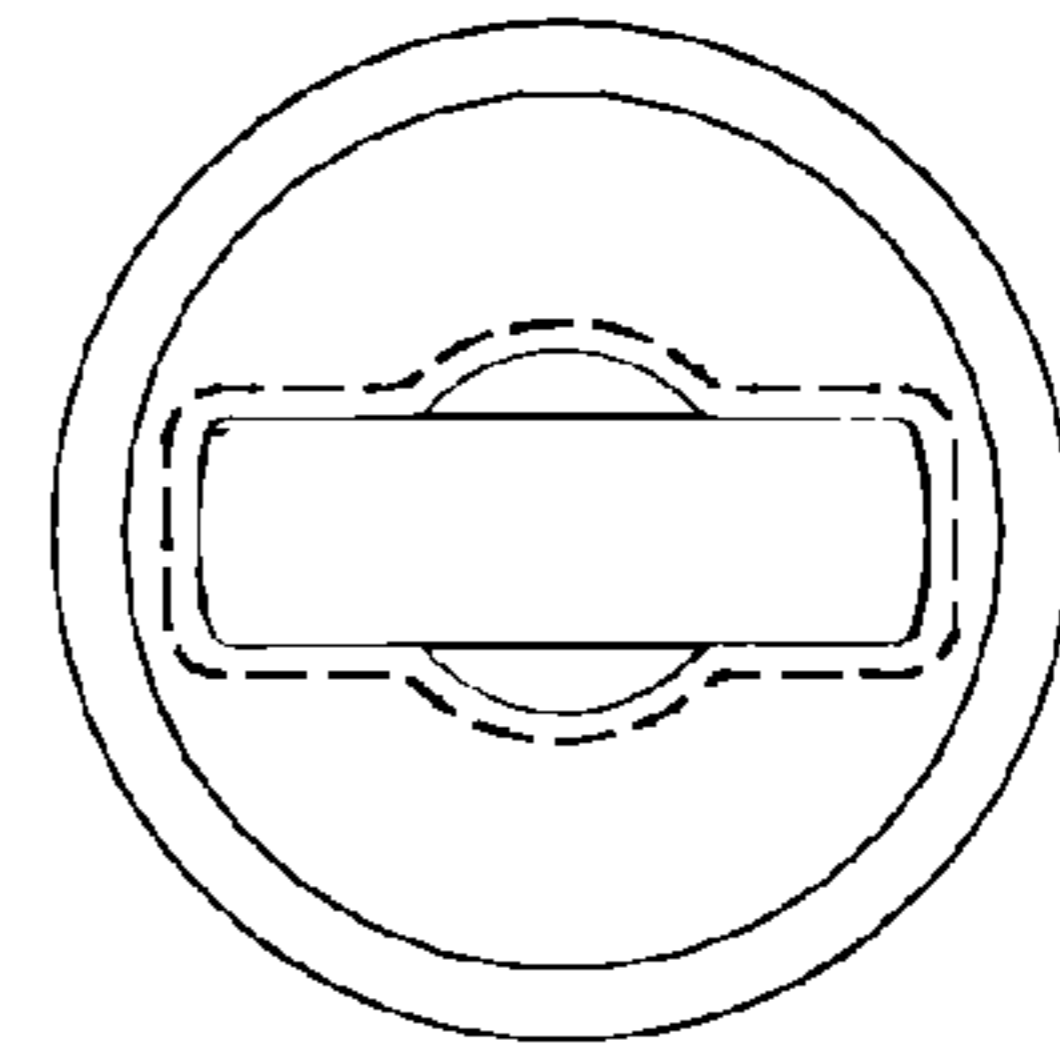
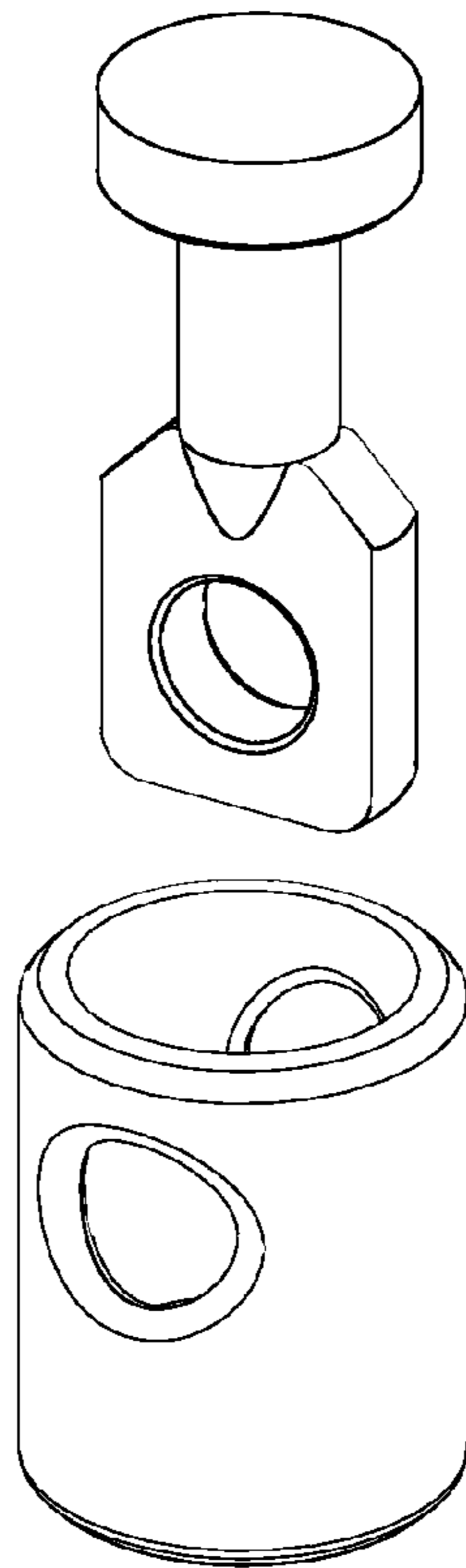


Fig. 8



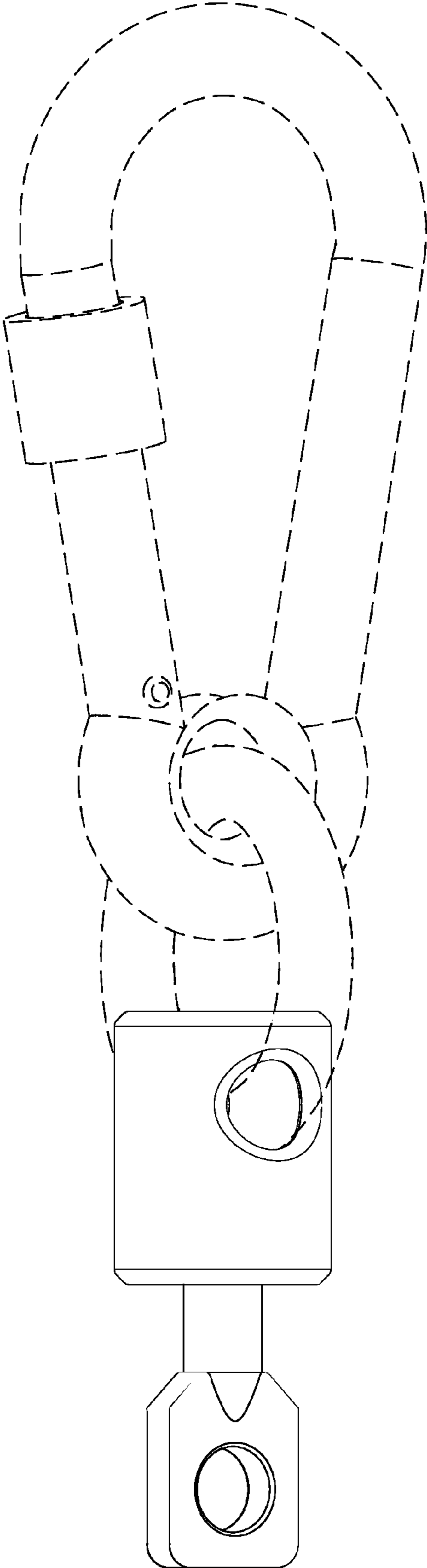


Fig. 9