



US00D676733S

(12) **United States Design Patent**  
**Zach et al.**

(10) **Patent No.:** **US D676,733 S**  
(45) **Date of Patent:** **\*\* Feb. 26, 2013**

(54) **HINGE LUBRICATOR**

(76) Inventors: **Marco J. Zach**, Mequon, WI (US); **Jon A. DeBoer**, Port Washington, WI (US)

(\*\*) Term: **14 Years**

(21) Appl. No.: **29/425,659**

(22) Filed: **Jun. 26, 2012**

(51) **LOC (9) Cl.** ..... **08-06**

(52) **U.S. Cl.** ..... **D8/323**

(58) **Field of Classification Search** ..... D8/367,  
D8/353, 354, 349, 356, 352, 351, 381, 372,  
D8/323, 499; D6/323; 248/301, 304, 214,  
248/215, 508, 354.7, 340, 302; D21/662;  
294/143; 211/118; 16/87.2, 87.8, 330; 24/DIG. 11;  
402/79; D22/144; 184/6.19

See application file for complete search history.

(56) **References Cited**

**U.S. PATENT DOCUMENTS**

D30,721 S \* 5/1899 Decker ..... D8/323  
2,485,998 A \* 10/1949 Bales ..... 184/102  
4,815,172 A \* 3/1989 Ward ..... 24/16 R

D349,055 S \* 7/1994 Hawkins et al. .... D8/499  
D452,141 S \* 12/2001 Liu ..... D8/499  
D511,084 S \* 11/2005 Georgopoulos ..... D8/323  
D567,630 S \* 4/2008 Brassard ..... D8/349  
D567,631 S \* 4/2008 Brassard ..... D8/349  
7,703,577 B1 4/2010 Zach et al.  
D636,659 S \* 4/2011 Rothbaum et al. .... D8/356  
D658,484 S \* 5/2012 Wall ..... D8/354  
D667,291 S \* 9/2012 Rothbaum et al. .... D8/356

\* cited by examiner

*Primary Examiner* — Cynthia Underwood

(74) *Attorney, Agent, or Firm* — Donald J. Ersler

(57) **CLAIM**

The ornamental design for a hinge lubricator, as shown and described.

**DESCRIPTION**

FIG. 1 is a perspective view of a hinge lubricator incorporating my new design;

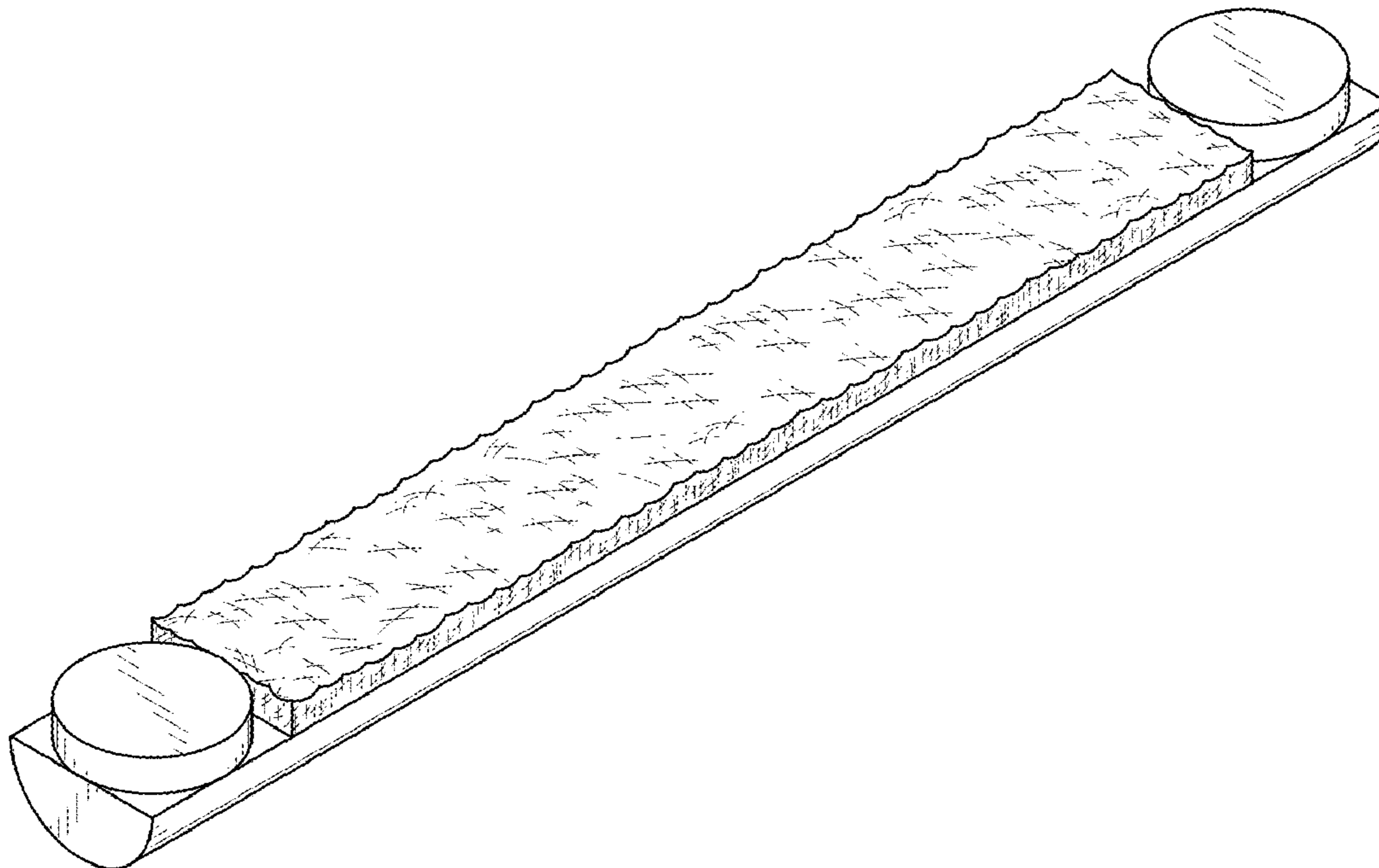
FIG. 2 is a left side view thereof;

FIG. 3 is a top plan view thereof;

FIG. 4 is a bottom plan view thereof; and,

FIG. 5 is a front elevation view thereof.

**1 Claim, 2 Drawing Sheets**



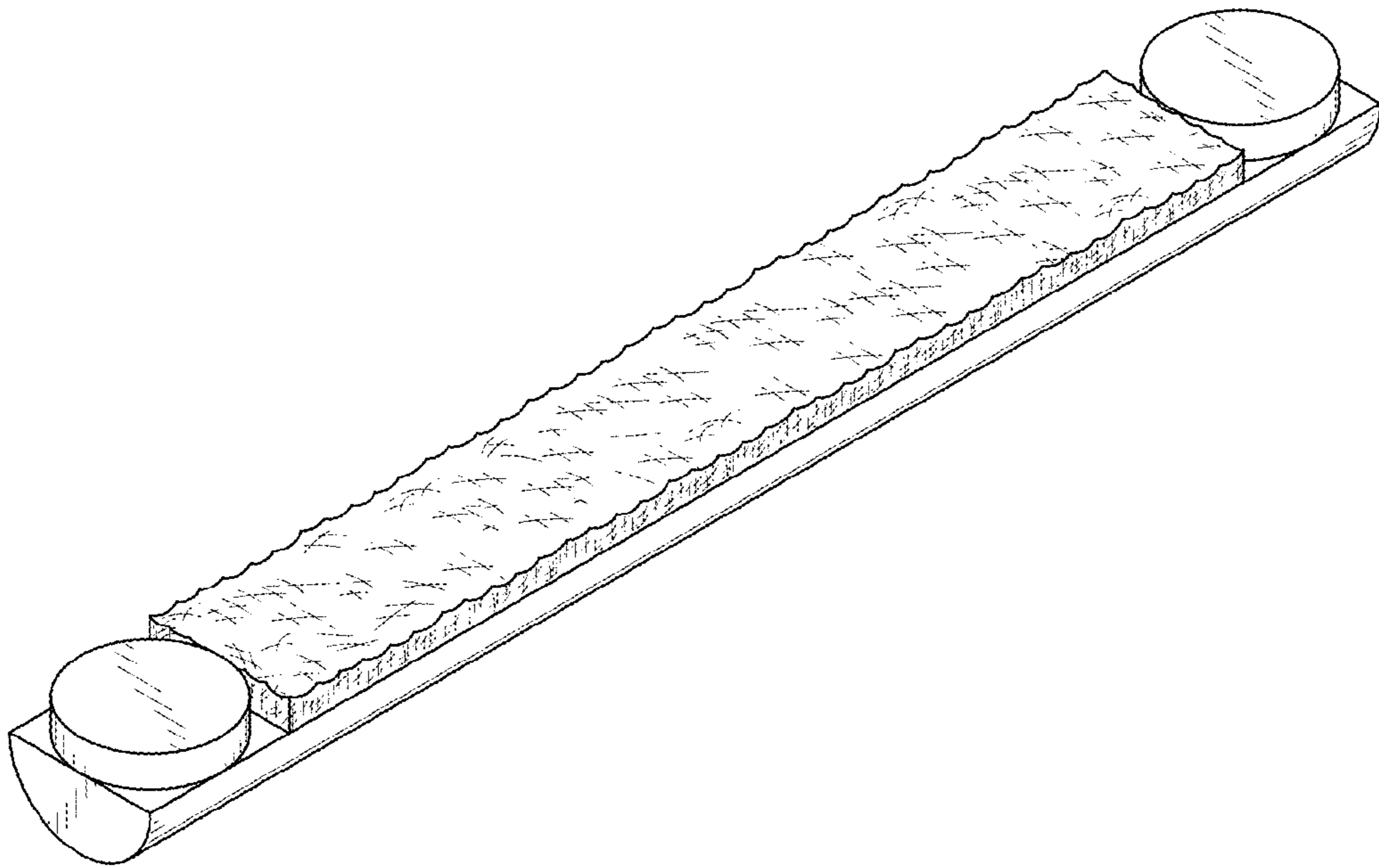


FIG. 1

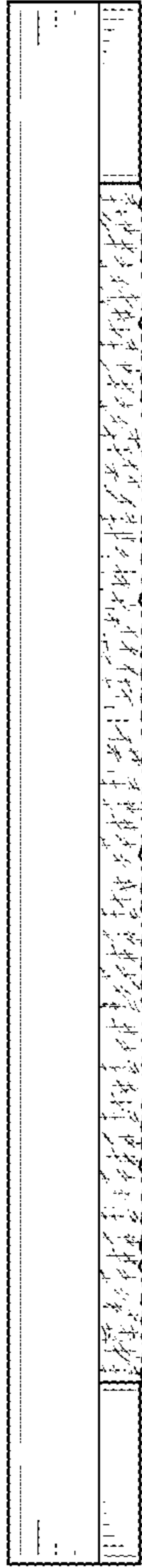


FIG. 2



FIG. 3

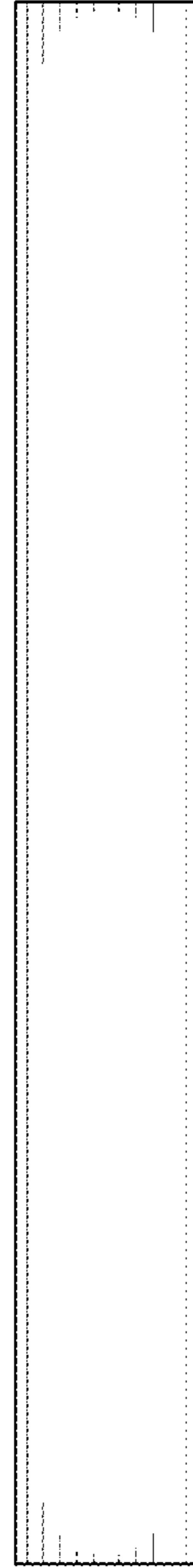


FIG. 4



FIG. 5