



US00D676732S

(12) **United States Design Patent**  
**Lafond et al.**

(10) **Patent No.:** **US D676,732 S**  
(45) **Date of Patent:** **\*\* Feb. 26, 2013**

(54) **HANDLE FOR HOLDING A SAMPLING SPONGE**

(75) Inventors: **Danielle Lafond**, Mont Saint-Hilaire (CA); **May L. Scally**, St. Mathias sur Richelieu (CA); **Louis Therrien**, Sainte-Julie (CA); **Alain Chevigny**, Val-Morin (CA)

(73) Assignee: **Labplas Inc.**, Sainte-Julie (CA)

(\*\*) Term: **14 Years**

(21) Appl. No.: **29/400,730**

(22) Filed: **Aug. 31, 2011**

(51) **LOC (9) Cl.** ..... **08-06**

(52) **U.S. Cl.** ..... **D8/107**

(58) **Field of Classification Search** ..... D8/107;  
D4/108, 138, 118; D24/143, 232, 119, 110.1;  
15/244.1; D32/40; D28/7; 604/1; 128/124.1,  
128/110.1; 606/210, 211, 205; 248/316.2  
See application file for complete search history.

(56) **References Cited**

U.S. PATENT DOCUMENTS

938,421	A *	10/1909	Hakins	15/244.1
1,592,950	A *	7/1926	McClain	15/245
1,631,791	A *	6/1927	Buckley	15/167.1
2,214,984	A *	9/1940	Bachmann	606/210
D155,308	S *	9/1949	Morrison	D28/7
2,731,696	A *	1/1956	Sutton	248/316.2
2,762,070	A *	9/1956	Tingley	15/119.2
3,058,139	A *	10/1962	Dryden	15/244.1
3,115,360	A *	12/1963	Witkoff	294/99.2
3,137,880	A *	6/1964	Kubit et al.	15/244.1
3,220,040	A *	11/1965	Knaebe	15/244.1
3,589,369	A *	6/1971	Alksnis	606/210
D243,060	S *	1/1977	Graham et al.	D32/49
4,934,011	A *	6/1990	Haug	15/145

4,950,281	A *	8/1990	Kirsch et al.	606/207
5,047,046	A *	9/1991	Bodoia	606/205
D350,272	S *	9/1994	Kahn et al.	D8/107
5,520,704	A *	5/1996	Castro et al.	606/208
D422,148	S *	4/2000	King et al.	D4/138
D449,910	S *	10/2001	Hendricks	D32/51
D502,324	S *	3/2005	Conway et al.	D4/138
D503,229	S *	3/2005	Davis et al.	D24/119
D511,032	S *	10/2005	Roberts	D32/41
D518,597	S *	4/2006	Sommers	D28/7
7,665,177	B2 *	2/2010	Forrest	15/209.1
7,814,608	B1 *	10/2010	Catello	15/236.01

\* cited by examiner

*Primary Examiner* — Paula Greene

(74) *Attorney, Agent, or Firm* — Bereskin & Parr LLP

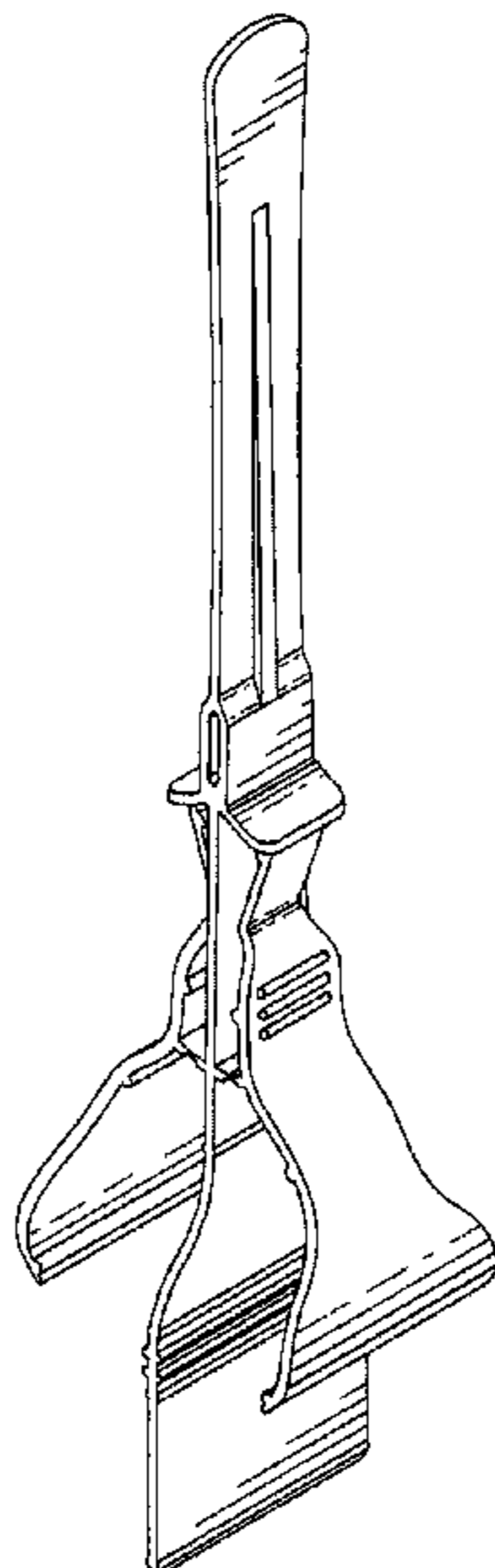
(57) **CLAIM**

We claim the ornamental design for handle for holding a sampling sponge, as shown and described.

**DESCRIPTION**

FIG. 1 is a perspective view of an embodiment of our ornamental design of the handle for holding a sampling sponge; FIG. 2 is a front view of the handle for holding a sampling sponge of FIG. 1; FIG. 3 is a right side view of the handle for holding a sampling sponge of FIG. 1; FIG. 4 is a left side view of the handle for holding a sampling sponge of FIG. 1; FIG. 5 is a rear view of the handle for holding a sampling sponge of FIG. 1; FIG. 6 is a top plan view of the handle for holding a sampling sponge of FIG. 1; FIG. 7 is a bottom plan view of the handle for holding a sampling sponge of FIG. 1; and, FIG. 8 is a perspective view of the handle for holding a sampling sponge of FIG. 1 but shown in an alternate position.

**1 Claim, 5 Drawing Sheets**



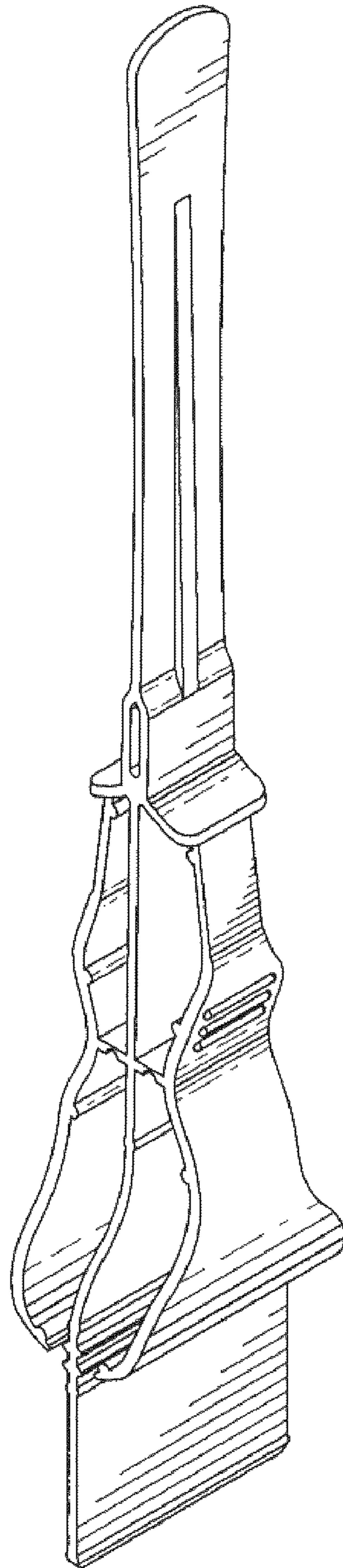


Fig. 1

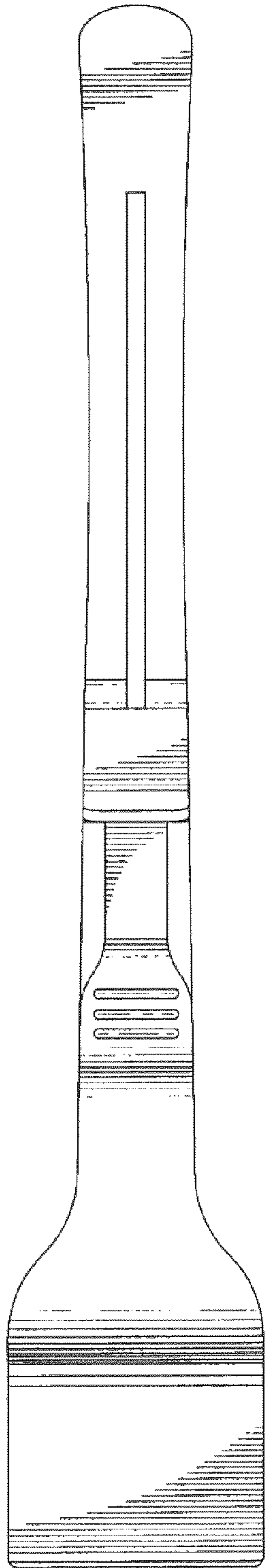


Fig. 2

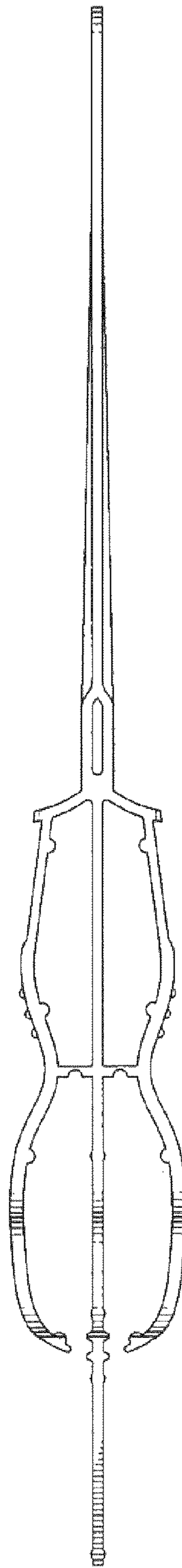


Fig. 3

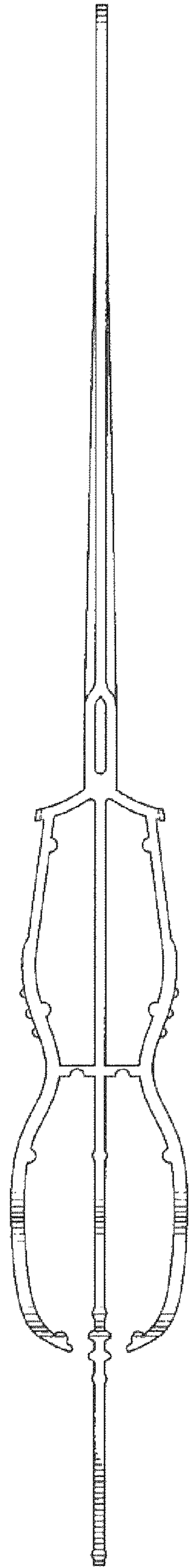


Fig-4

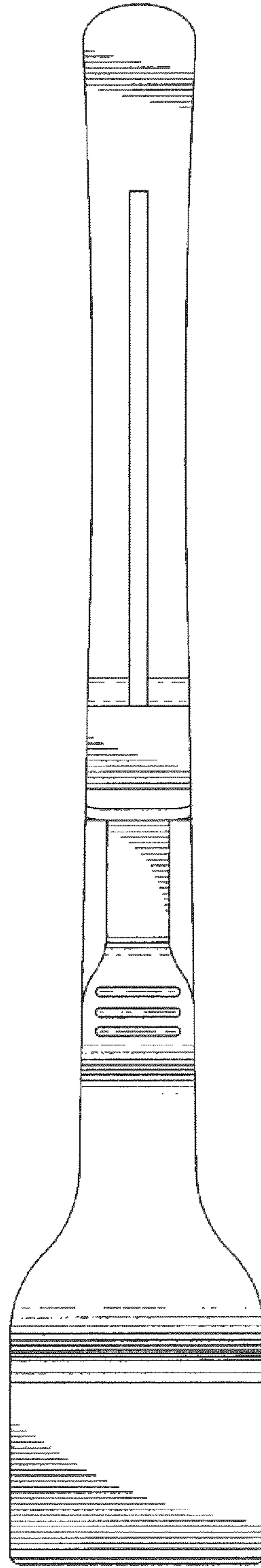


Fig-5



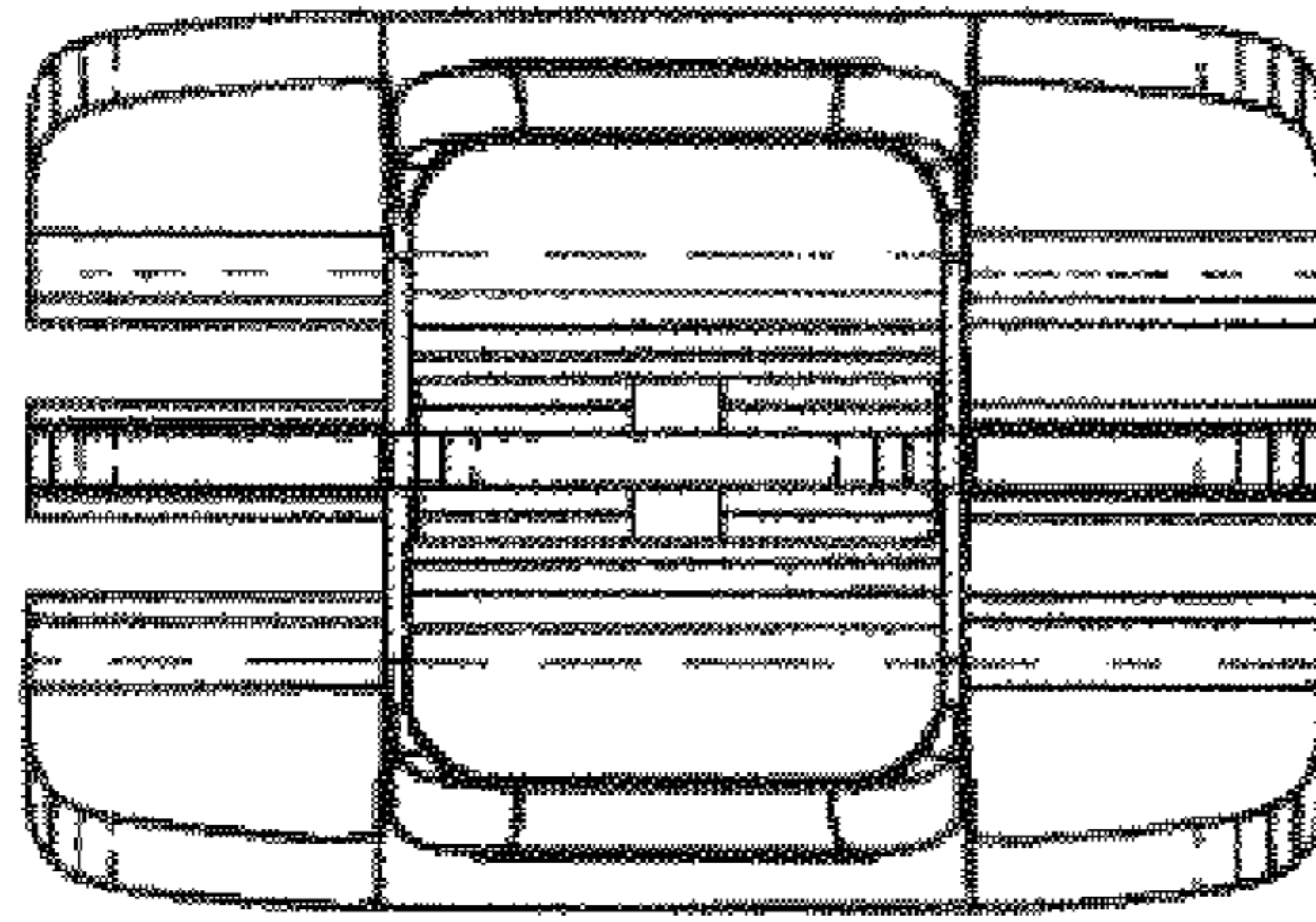


FIG-6

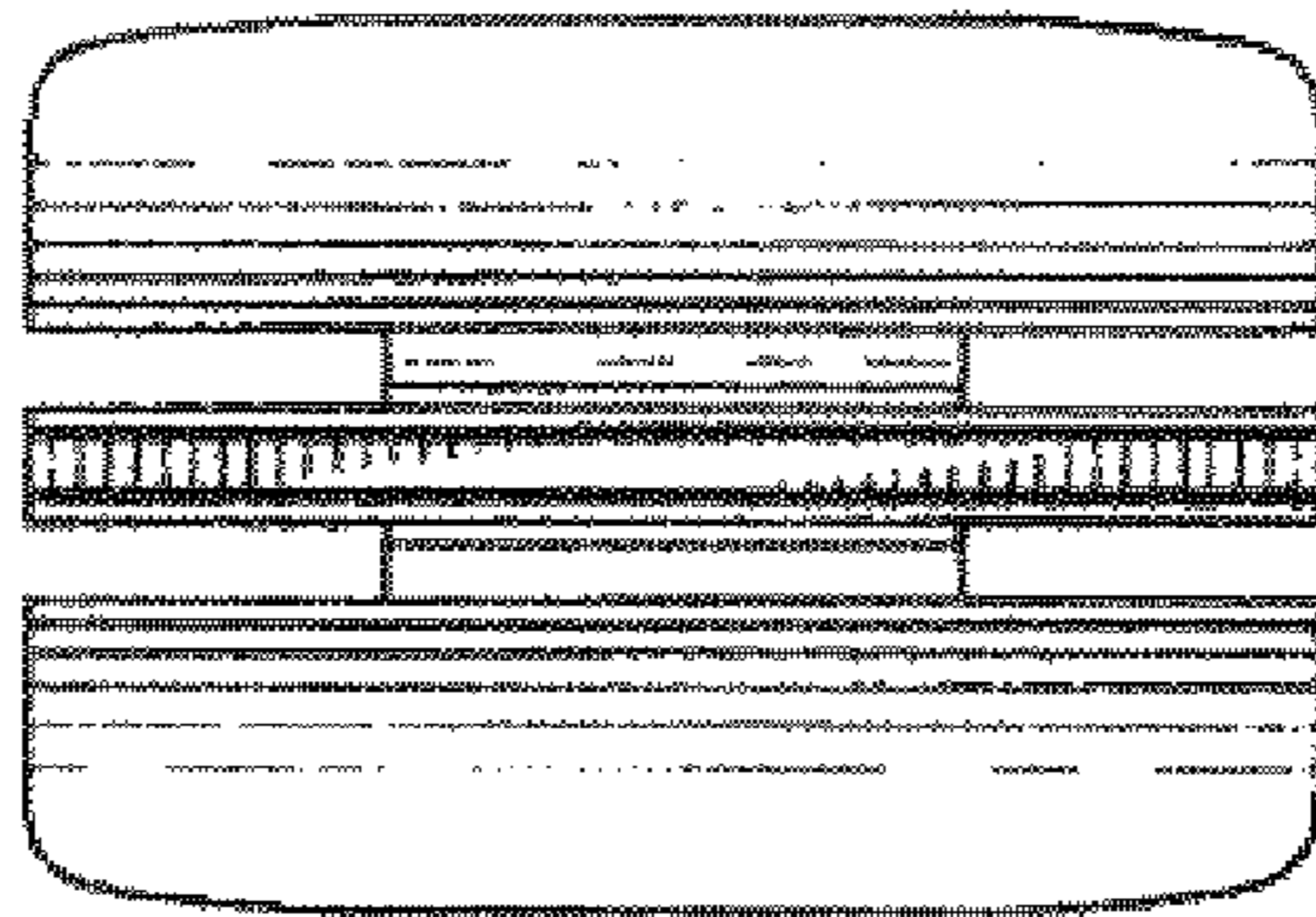


FIG-7

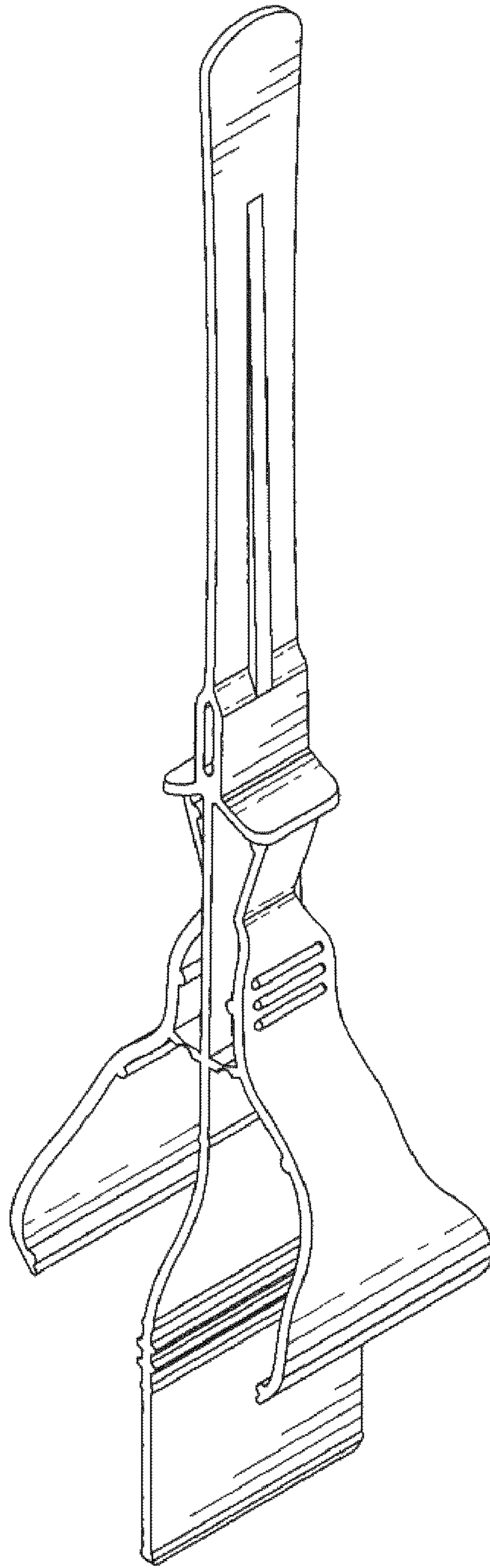


Fig. 8