



US00D676731S

(12) **United States Design Patent**  
**Aglassinger**

(10) **Patent No.:** **US D676,731 S**

(45) **Date of Patent:** **\*\* Feb. 26, 2013**

(54) **HAMMER DRILL**

(75) Inventor: **Hans-Peter Aglassinger**, Esslingen (DE)

(73) Assignee: **Robert Bosch GmbH**, Stuttgart, DE  
(US)

(\*\*) Term: **14 Years**

(21) Appl. No.: **29/392,636**

(22) Filed: **May 24, 2011**

(51) **LOC (9) Cl.** ..... **08-03**

(52) **U.S. Cl.** ..... **D8/69**

(58) **Field of Classification Search** ..... D8/68,  
D8/69; 81/429, 469; 173/13, 48, 90, 109,  
173/162.2, 201, 213, 217; 310/47, 50; 408/20,  
408/124, 125

See application file for complete search history.

(56) **References Cited**

U.S. PATENT DOCUMENTS

6,412,572	B2 *	7/2002	Habedank et al. ....	173/217
D502,377	S *	3/2005	Aglassinger .....	D8/69
6,971,456	B2 *	12/2005	Yamada et al. ....	173/217
D526,179	S *	8/2006	Hayakawa et al. ....	D8/69
D528,393	S *	9/2006	Stirm .....	D8/69
D531,474	S *	11/2006	Hayakawa et al. ....	D8/69
D535,537	S *	1/2007	Aglassinger .....	D8/69
D535,861	S *	1/2007	Snowball .....	D8/69
D543,082	S *	5/2007	Stirm .....	D8/69
D555,451	S *	11/2007	Okuda et al. ....	D8/69
D563,749	S *	3/2008	Okuda et al. ....	D8/69
D575,606	S *	8/2008	Okouchi et al. ....	D8/69
D581,235	S *	11/2008	Aglassinger .....	D8/69
D586,639	S *	2/2009	Yamamoto et al. ....	D8/69
D604,583	S *	11/2009	Yamamoto et al. ....	D8/69
D610,426	S *	2/2010	Hahn et al. ....	D8/69
D645,317	S *	9/2011	Fahrner .....	D8/69

D646,136	S *	10/2011	Aglassinger .....	D8/69
D663,183	S *	7/2012	Sell .....	D8/69
2004/0251041	A1 *	12/2004	Grossman .....	173/217
2006/0060365	A1 *	3/2006	Kunz .....	173/48
2009/0277659	A1 *	11/2009	Roelfs et al. ....	173/201
2009/0301746	A1 *	12/2009	Robieu .....	173/217
2011/0088922	A1 *	4/2011	Hirayama et al. ....	173/90
2011/0174510	A1 *	7/2011	Eisenhardt .....	173/48
2012/0067605	A1 *	3/2012	Furusawa et al. ....	173/162.2

\* cited by examiner

*Primary Examiner* — Philip S Hyder

*Assistant Examiner* — John T Applewhite

(74) *Attorney, Agent, or Firm* — Maginot, Moore & Beck

(57) **CLAIM**

The ornamental design for a hammer drill, as shown and described.

**DESCRIPTION**

FIG. 1 is a perspective view of a hammer drill showing my new design;

FIG. 2 is right side elevational view showing the design for the hammer drill of FIG. 1;

FIG. 3 is a left side elevational view showing the design for the hammer drill of FIG. 1;

FIG. 4 is a front elevational view showing the design for the hammer drill of FIG. 1;

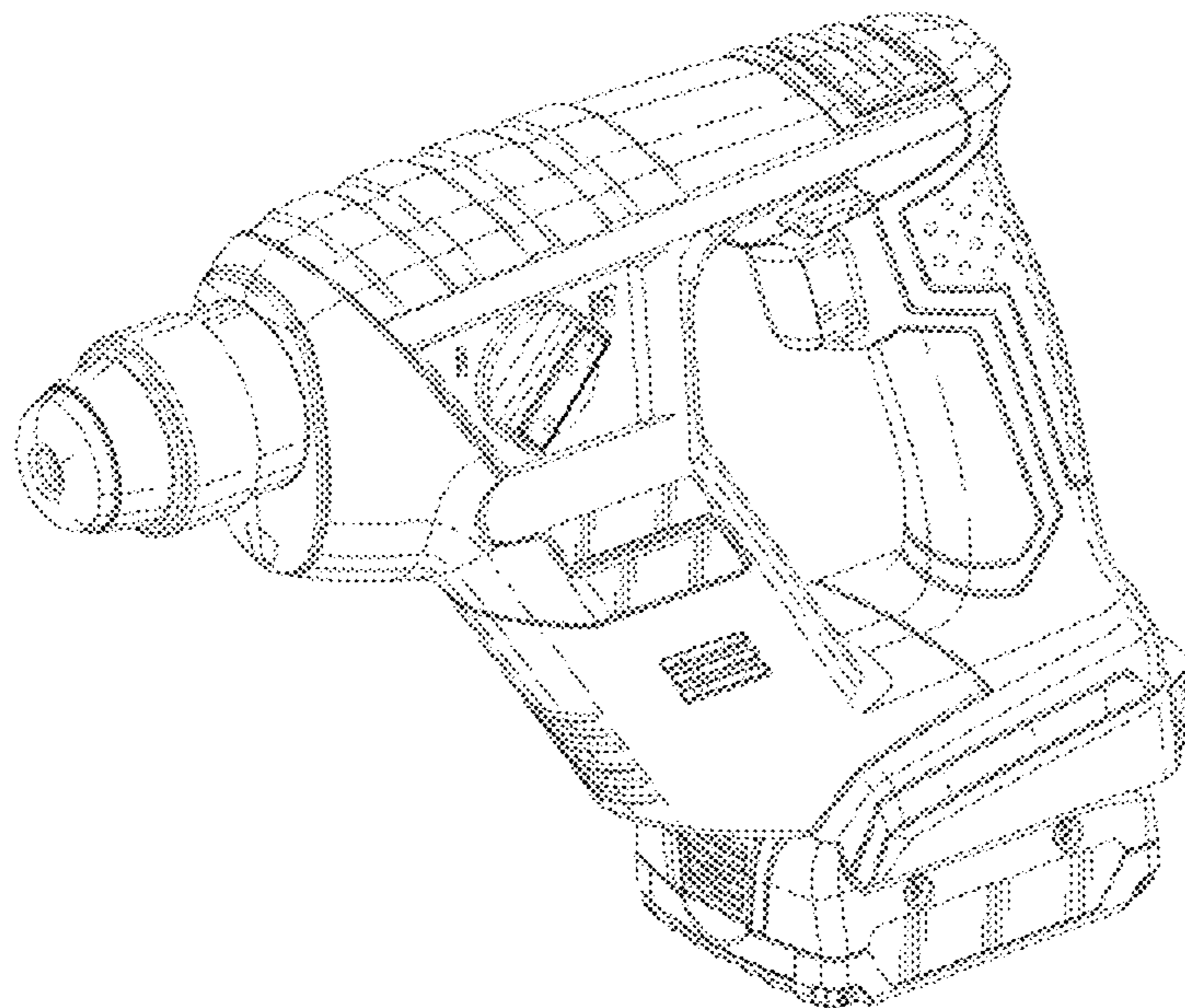
FIG. 5 is a rear elevational view showing the design for the hammer drill of FIG. 1;

FIG. 6 is a top elevational view showing the design for the hammer drill of FIG. 1; and,

FIG. 7 is a bottom elevational view showing the design for the hammer drill of FIG. 1.

The portions shown in broken lines form no part of the claimed design but are provided for completeness.

**1 Claim, 7 Drawing Sheets**



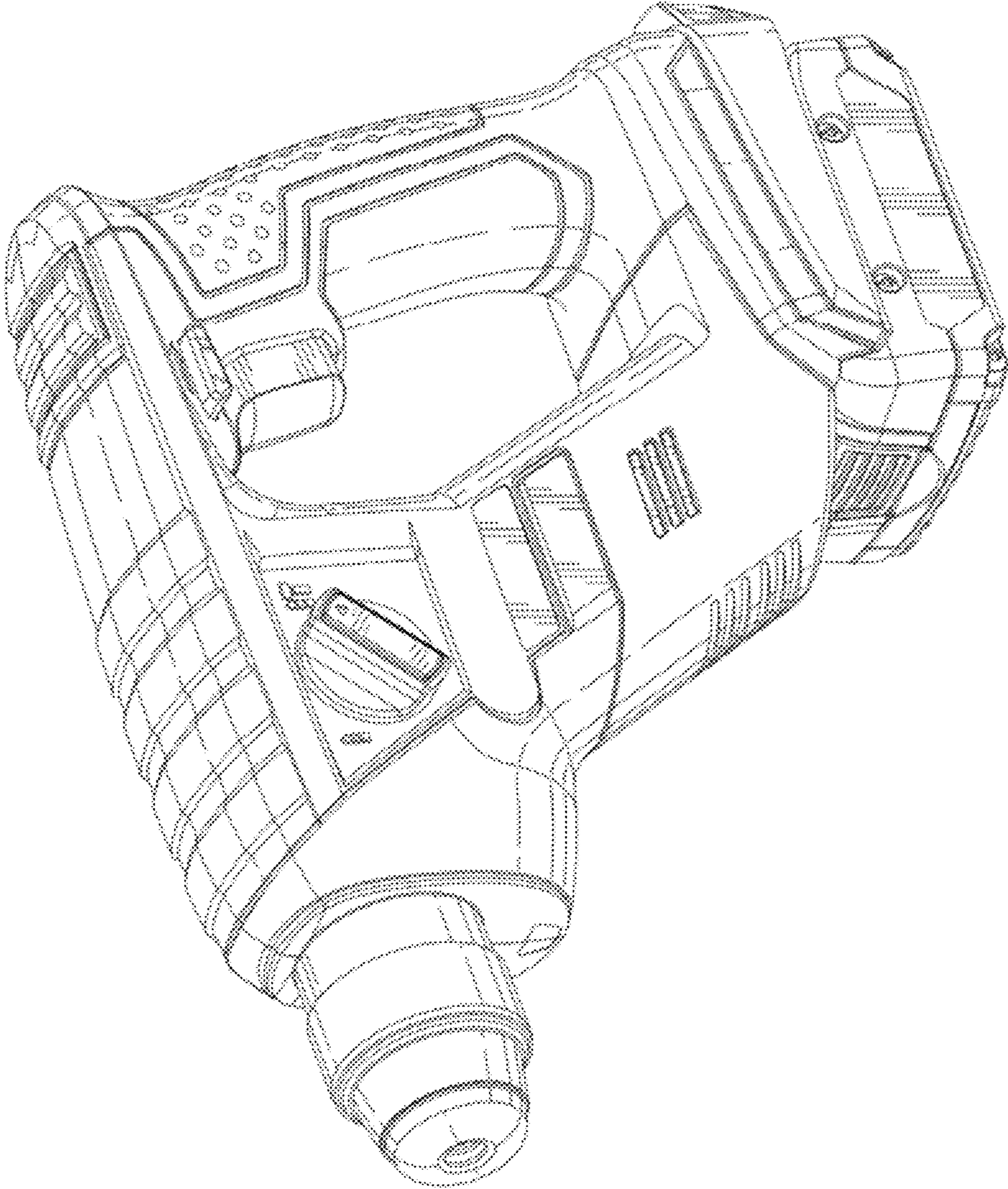


Fig. 1

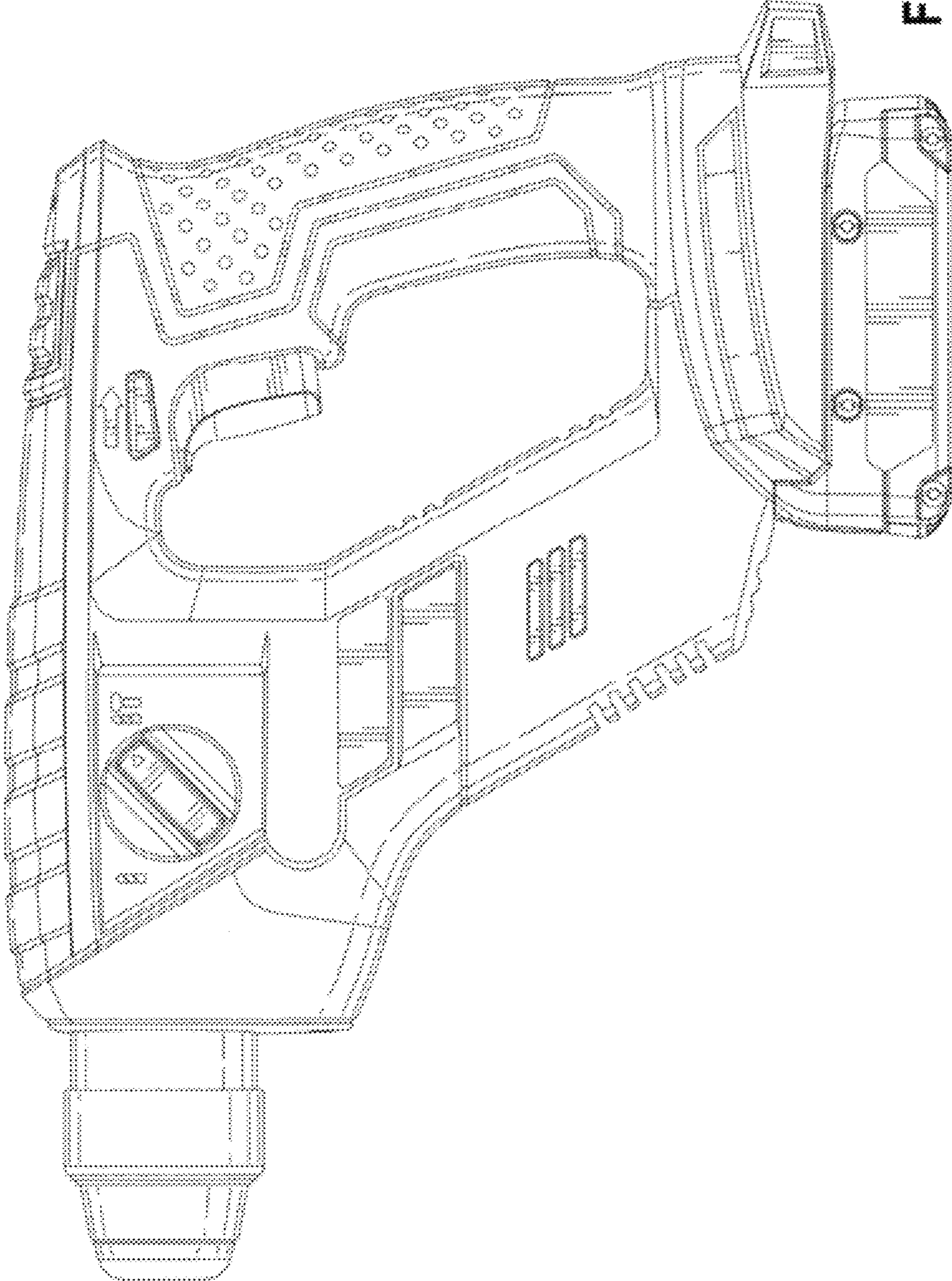


Fig. 2

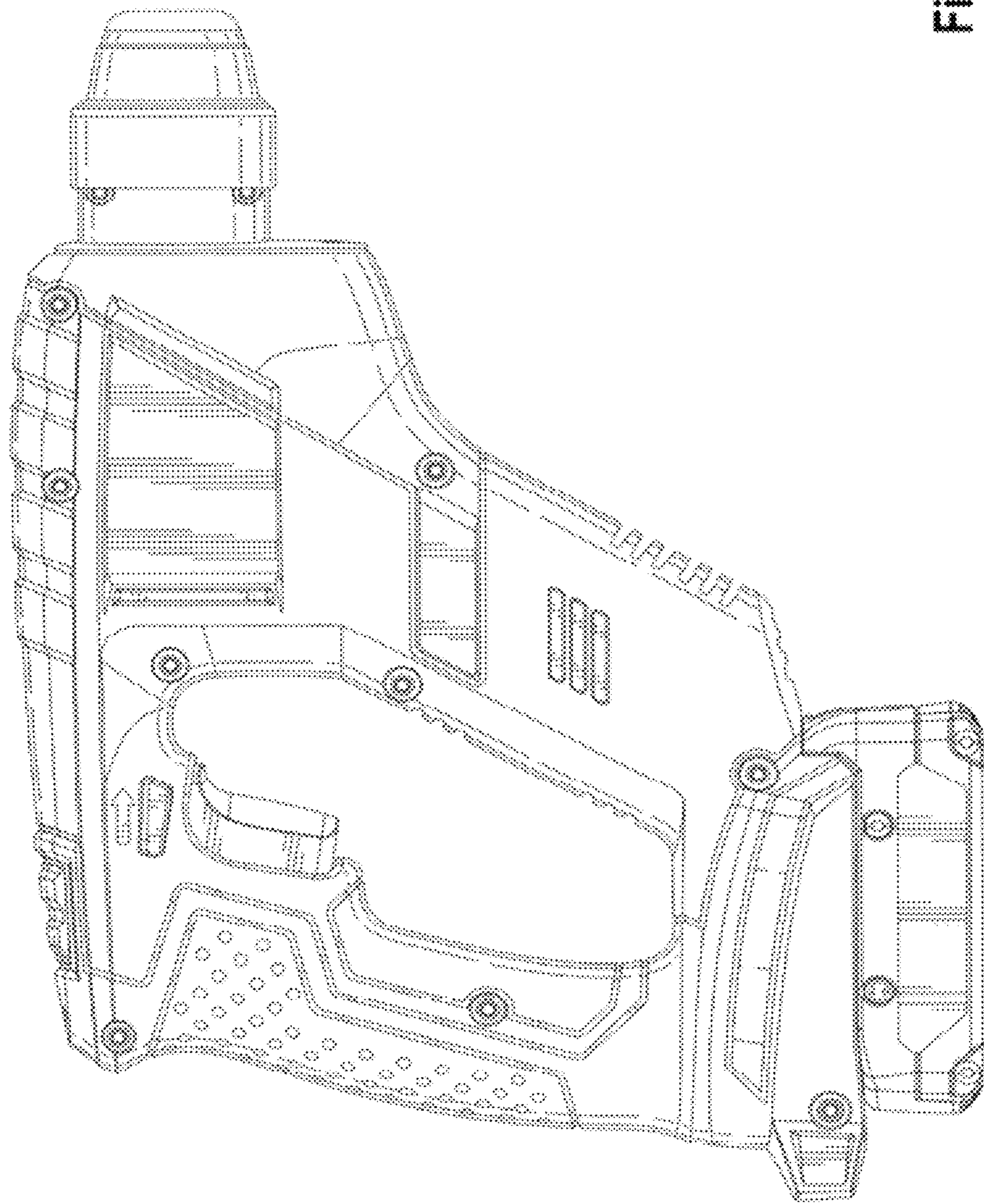


Fig. 3

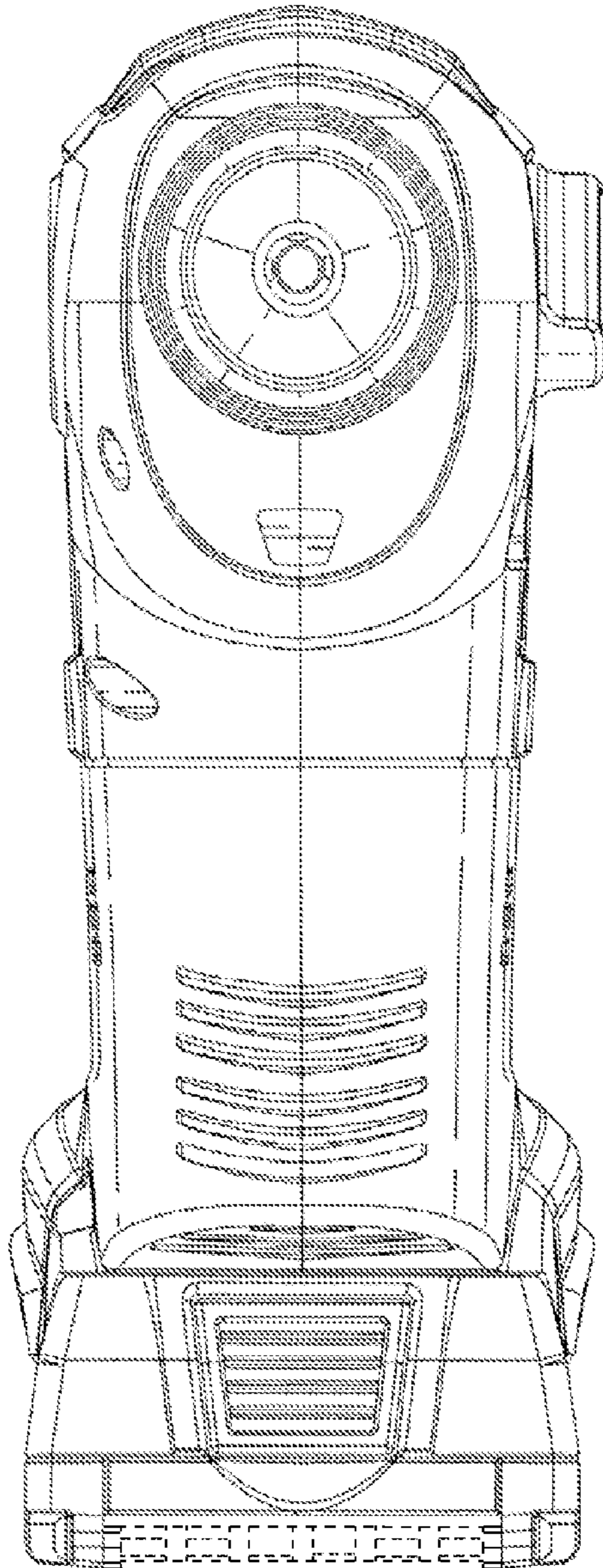


Fig. 4

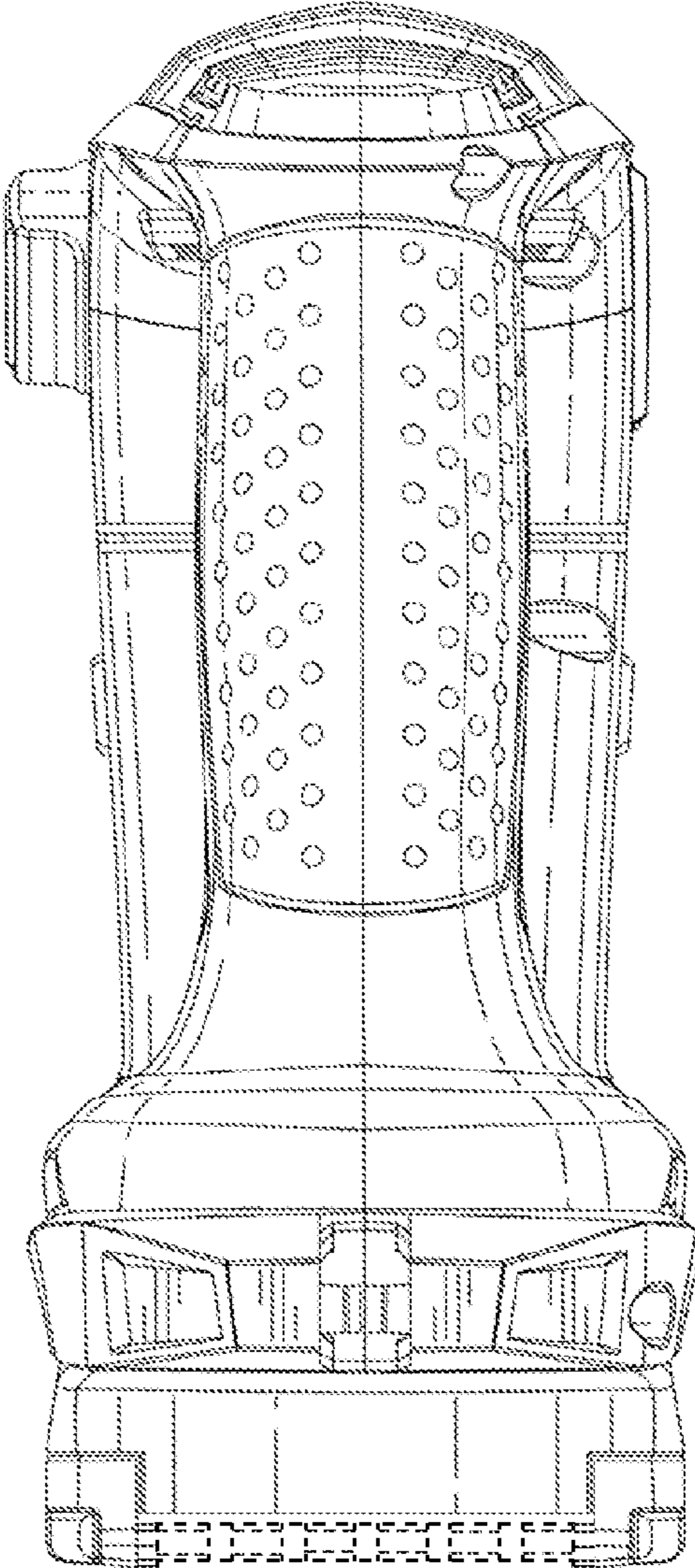


Fig. 5

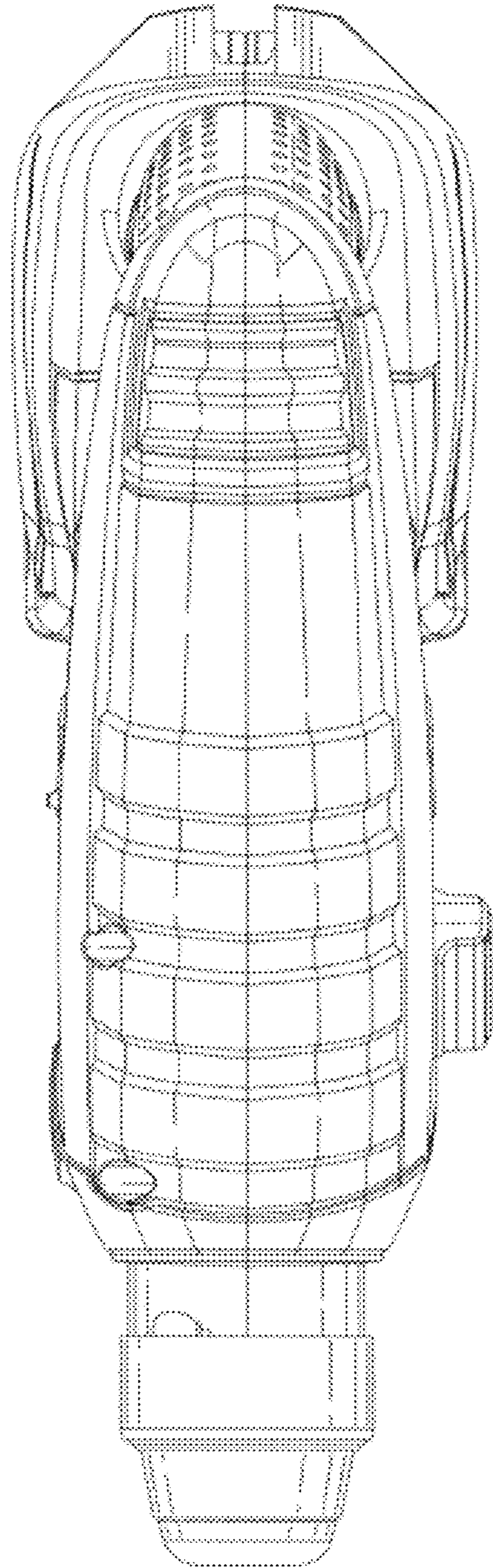


Fig. 6

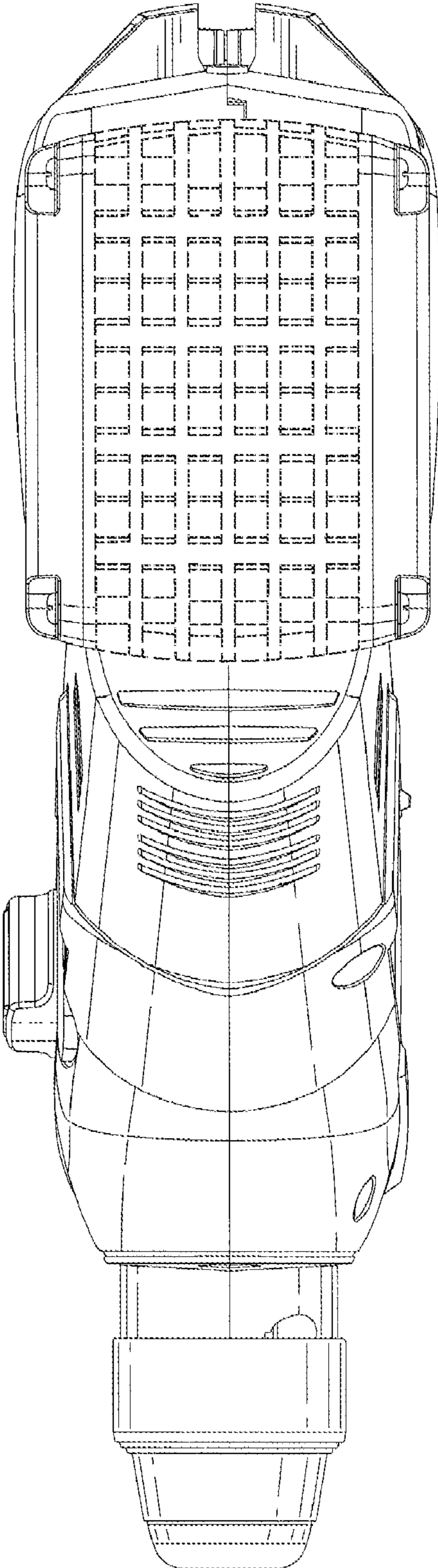


Fig. 7



UNITED STATES PATENT AND TRADEMARK OFFICE  
**CERTIFICATE OF CORRECTION**

PATENT NO. : D676,731 S  
APPLICATION NO. : 29/392636  
DATED : February 26, 2013  
INVENTOR(S) : Aglassinger

Page 1 of 1

It is certified that error appears in the above-identified patent and that said Letters Patent is hereby corrected as shown below:

Please correct the title page to include item (30) Foreign Application Priority Data and to include reference to the following foreign application:

--November 29, 2010 (EM) ..... 001786914--.

Signed and Sealed this  
Eighth Day of October, 2013



Teresa Stanek Rea  
*Deputy Director of the United States Patent and Trademark Office*